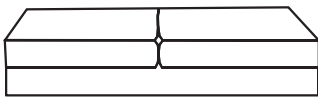
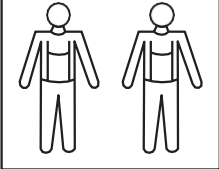
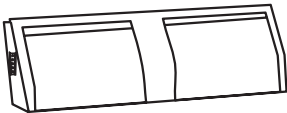


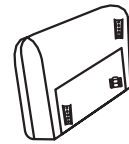
# ASSEMBLY INSTRUCTION S5621-LOVESEAT



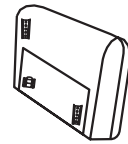
A\*1



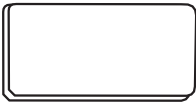
B\*1



C\*1LEFT



C\*1RIGHT



D\*2



E\*2



F\*2



G\*4



H\*1

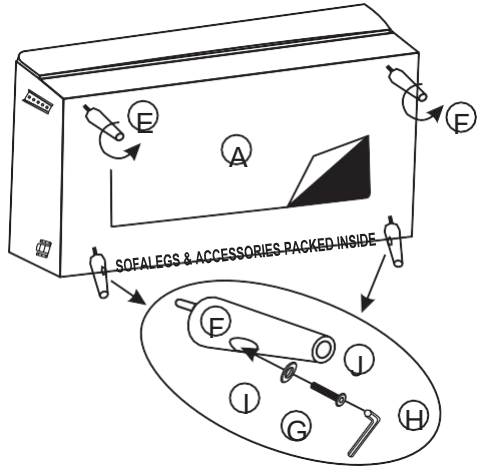


I\*4

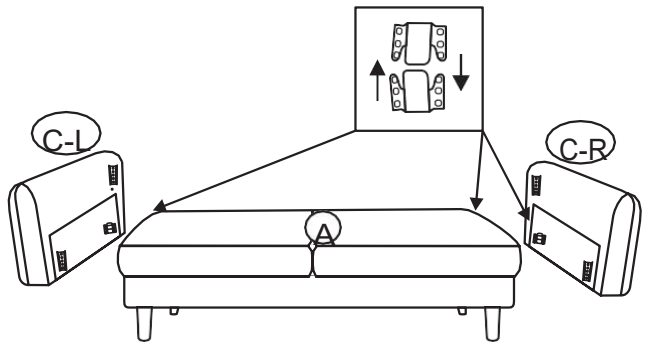


J\*4

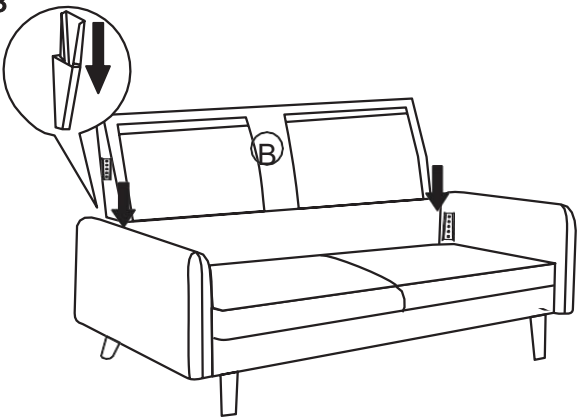
## STEP 1



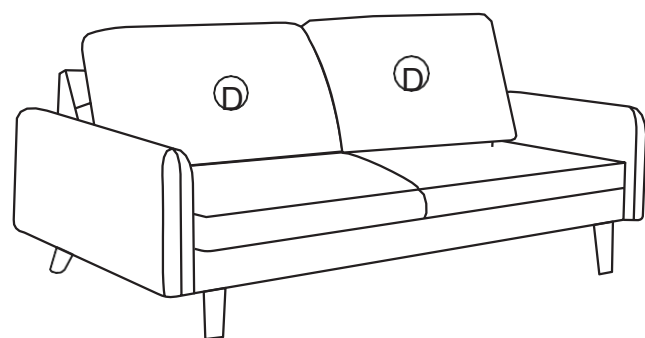
## STEP 2



## STEP 3

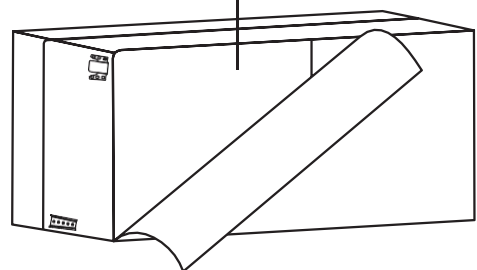


## STEP 4



## KINDLY REMINDER

D\*2 、 E\*2 、 F\*2 、 G\*4 、 H\*1 、 I\*4 、 J\*4  
PACKED IN LOVESEAT



CAREFULLY UNPACK AND PLACE THE LOVESEAT BODY (A) ON A CLEAN FLAT SURFACE TO SHOW THE BASE AS SHOWN.  
UNPACK PARTS FROM THE STORAGE COMPARTMENT