




PARTS LIST

Name	Part	Qty.	Spare	Name	Part	Qty.	Spare
A	Left Back Panel	1		Q	Middle Panel	1	
B	Right Back Panel	1		R	Drawer Front	2	
C	Left Panel	1		X	Drawer Front Panel	2	
D	Right Panel	1		Y	Drawer Back Panel	2	
E	Kick Plate	1		Z	Drawer Side And Bottom	2	
F	Bottom Panel	2		GG/g	Left Extension Rail	2	
G	Top Rail	1		HH/h	Right Extension Rail	2	
H	Top Panel	1		L	1-3/16" Wall	2	
I	Shelves	2		M	Wall Anchor	2	
J	Right Door	2		N	13/32" Screw	29	2
K	Left Door	2		O	Shelf Clasp	8	

U	Touch The Doormat		8		S	Door Pivot		4	
T	Shim		8						



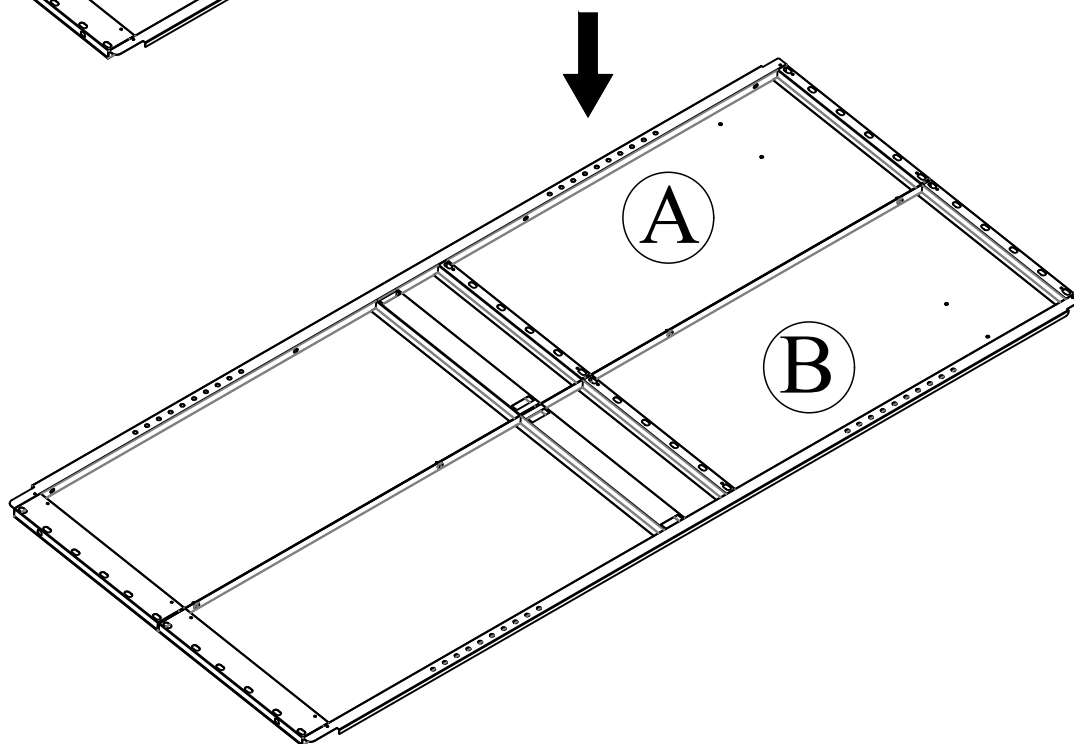
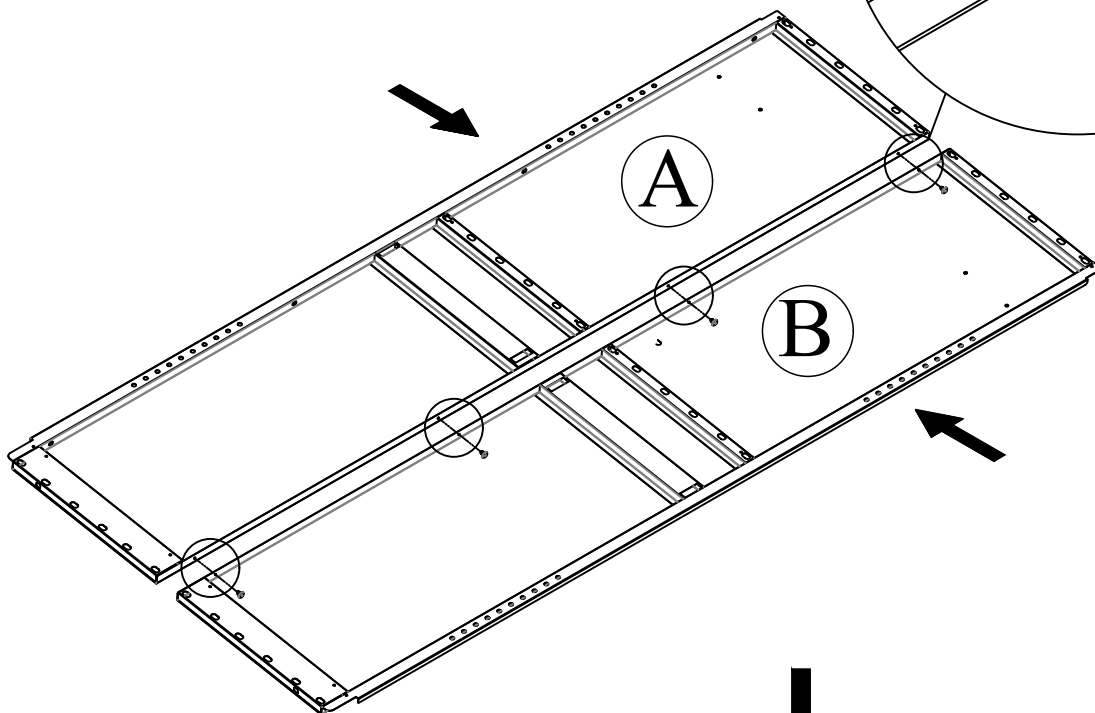
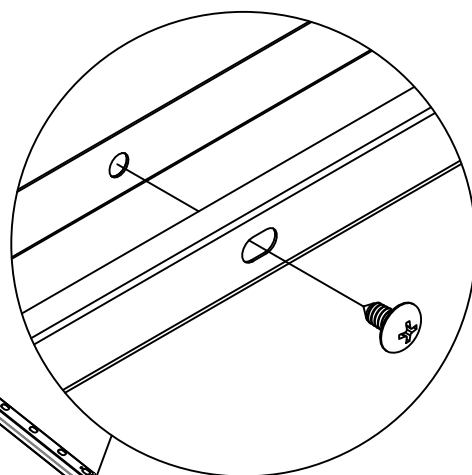
CAUTION

An assistant is required.

Step 1

Ⓝ  x 4

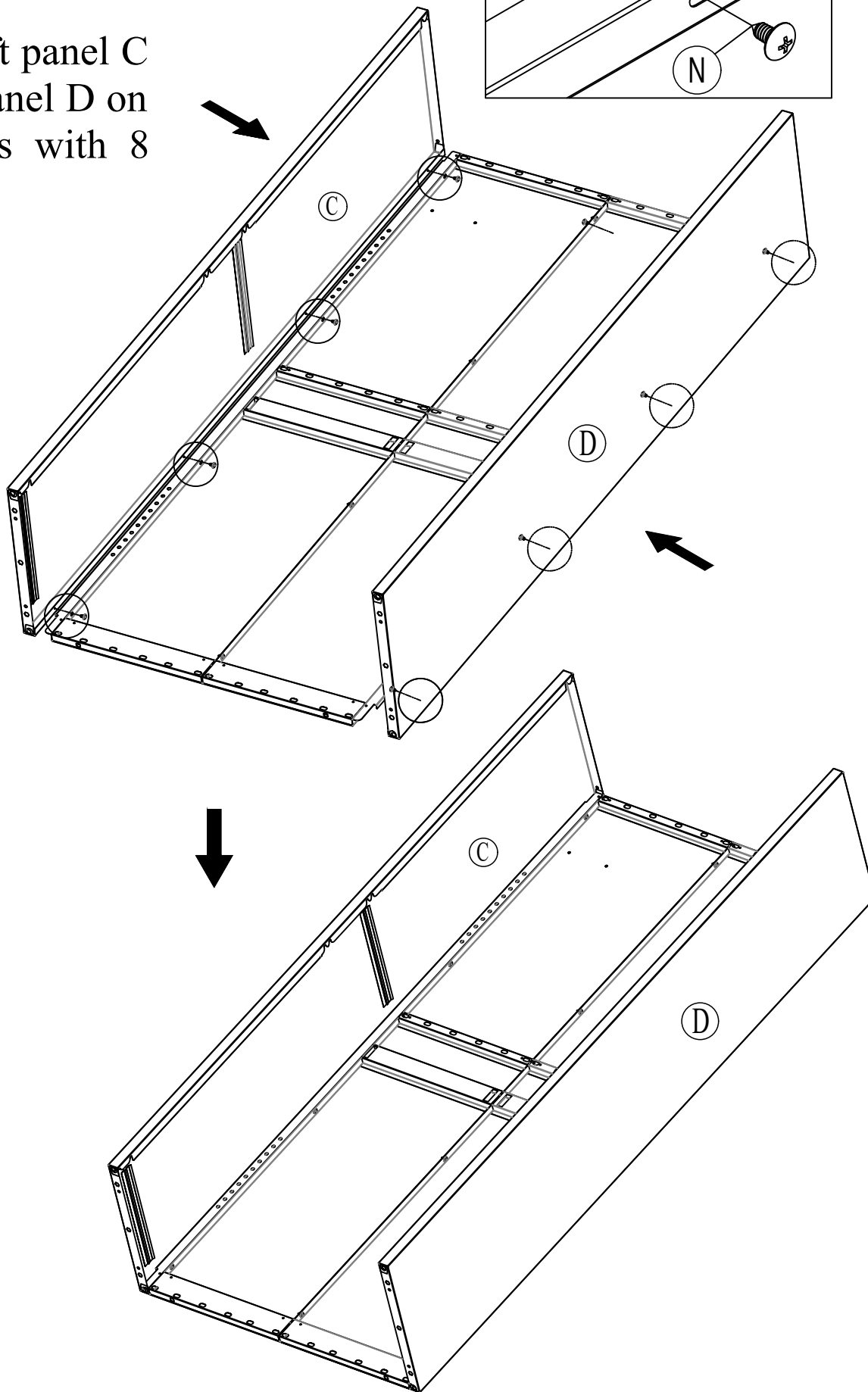
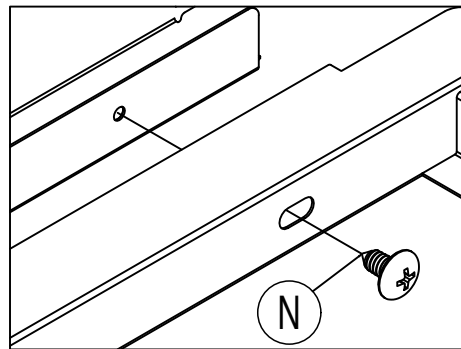
Connect left back panel A
and right back panel B with
4 screw N



Step 2

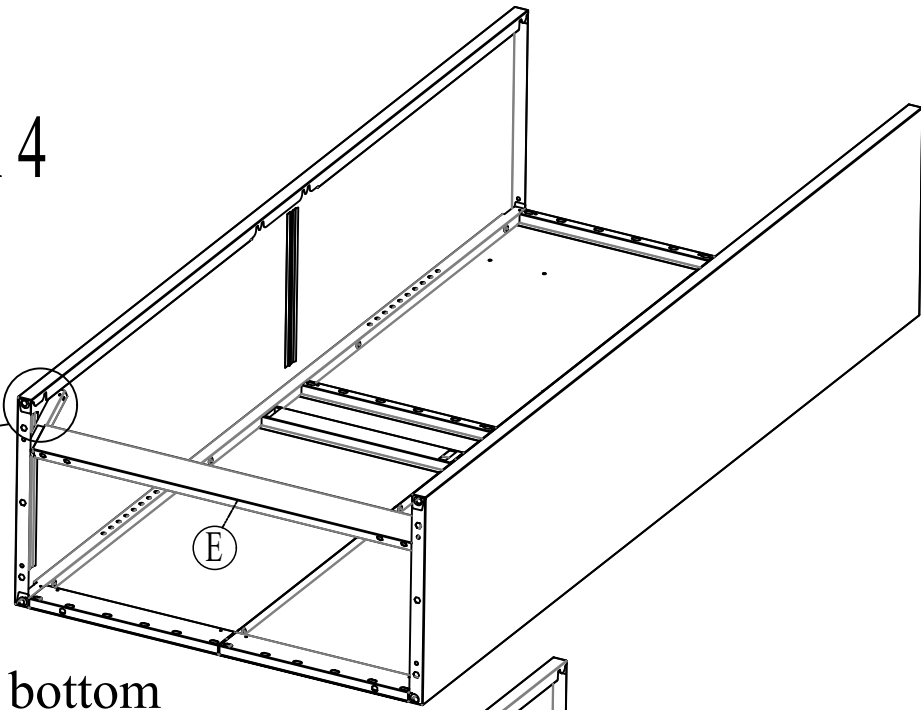
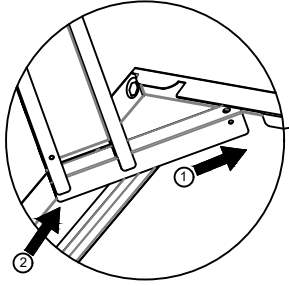
Ⓝ x 8

Connect left panel C and right panel D on back panels with 8 screw N

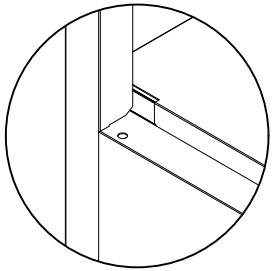


Step 3

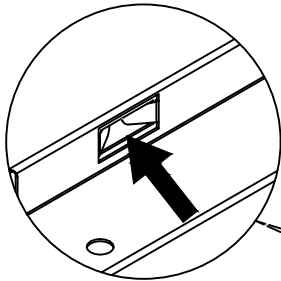
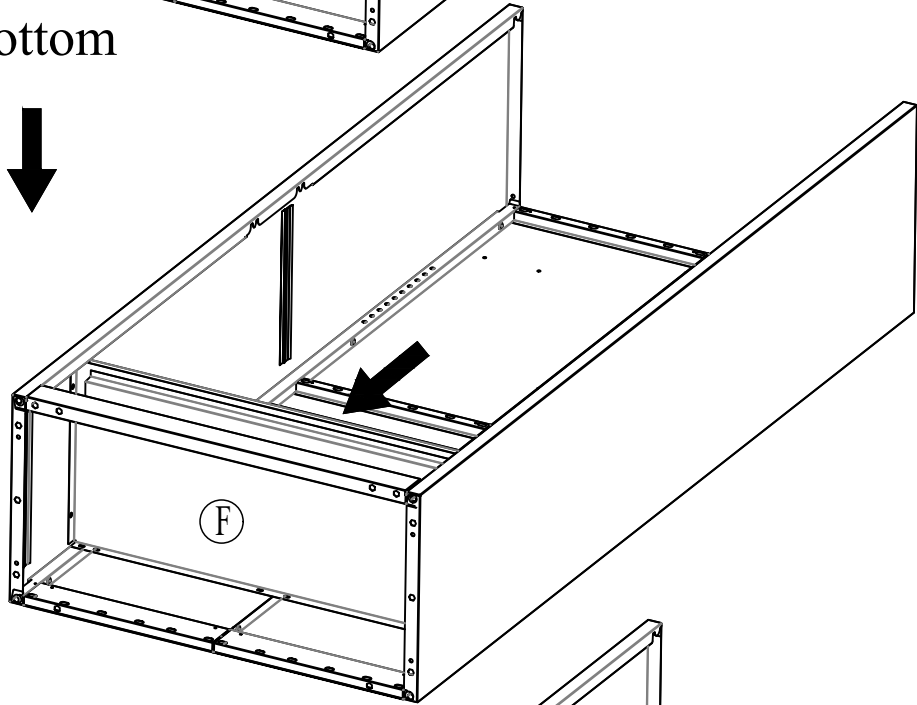
Ⓝ x 4



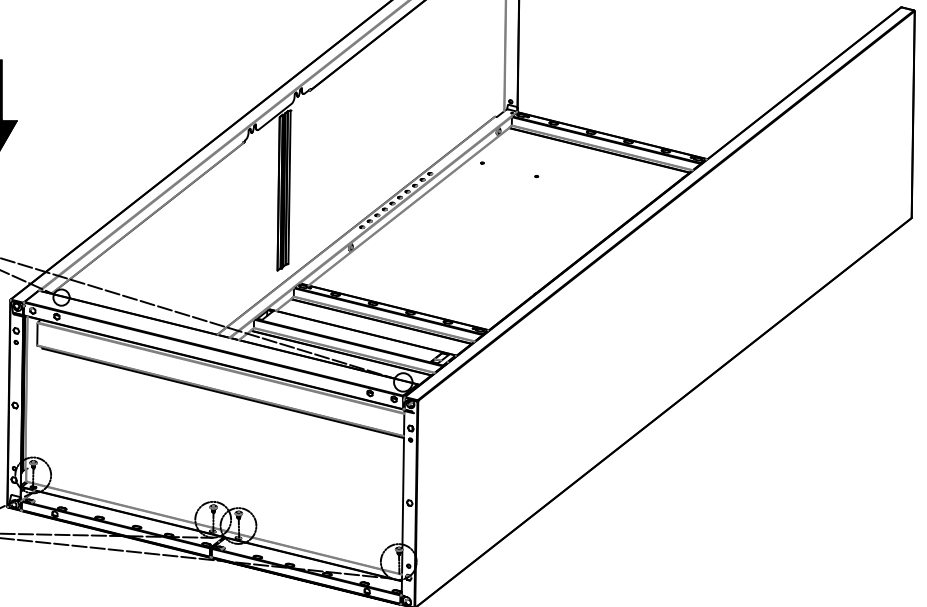
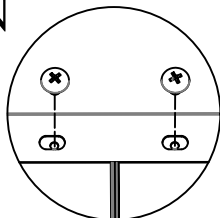
Insert E on the bottom



Install bottom panel F (E and F should be connected by the small clasps in front)

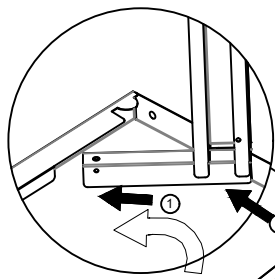


Fasten them with 4 screw N

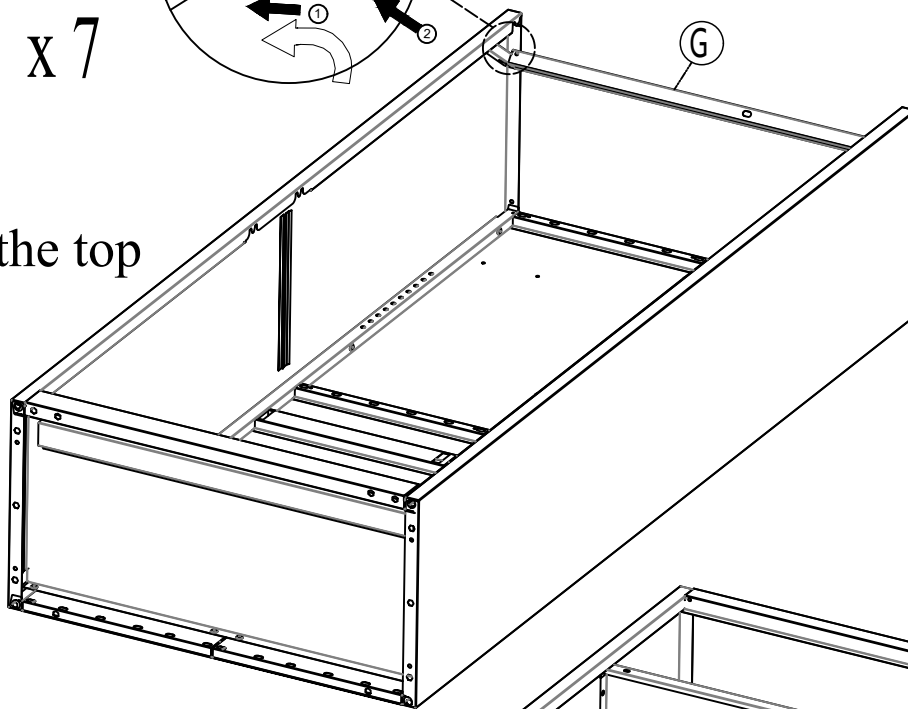


Step 4

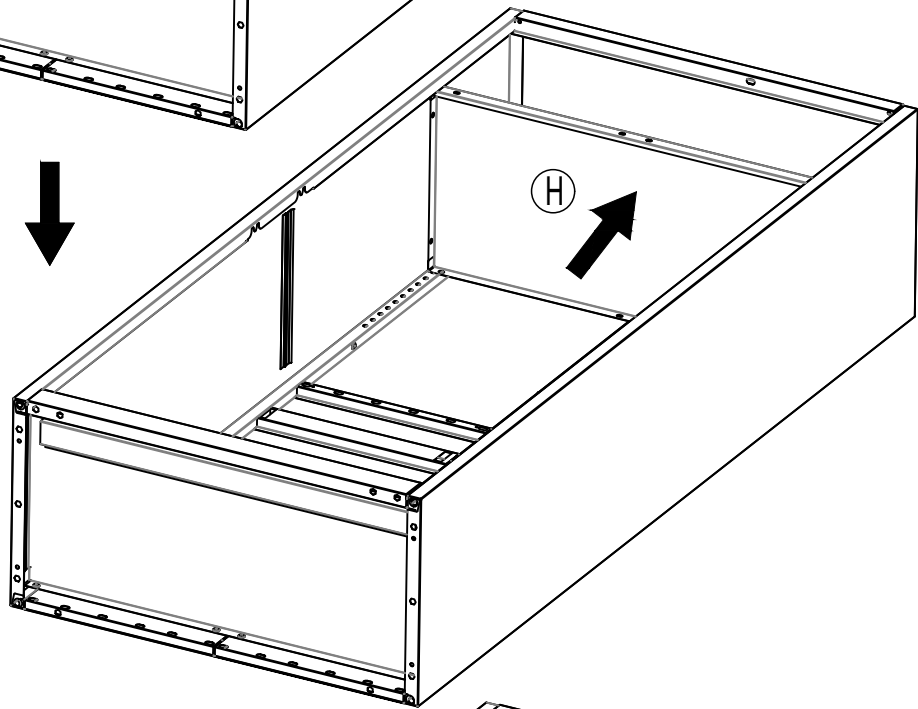
Ⓝ x 7



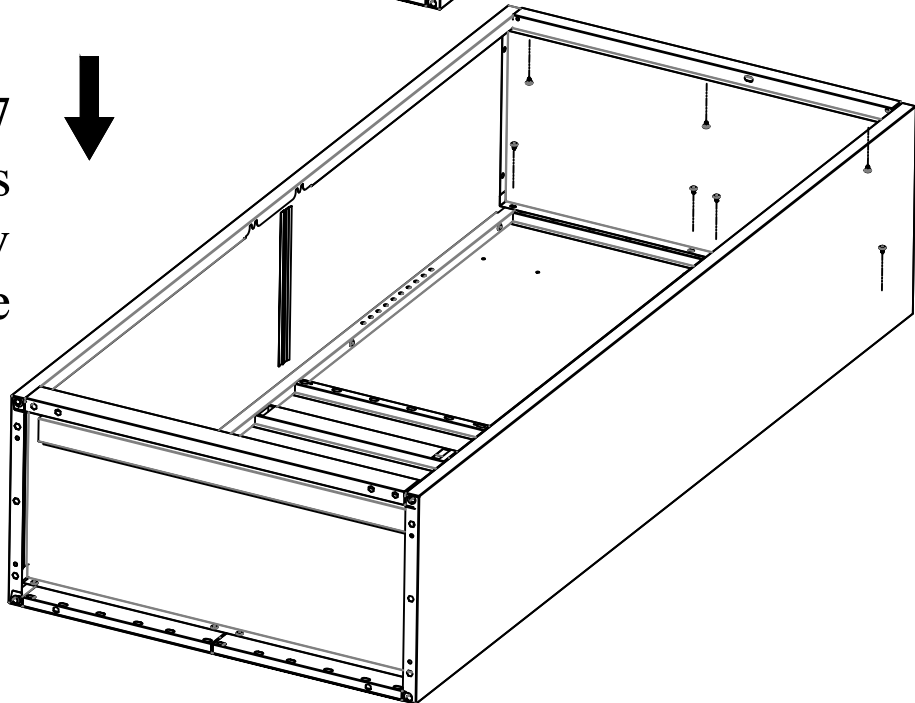
Insert G on the top



Install top panel H



Fasten them with 7 screw N (The screws can be fixed easily when you put a side panel on the floor)

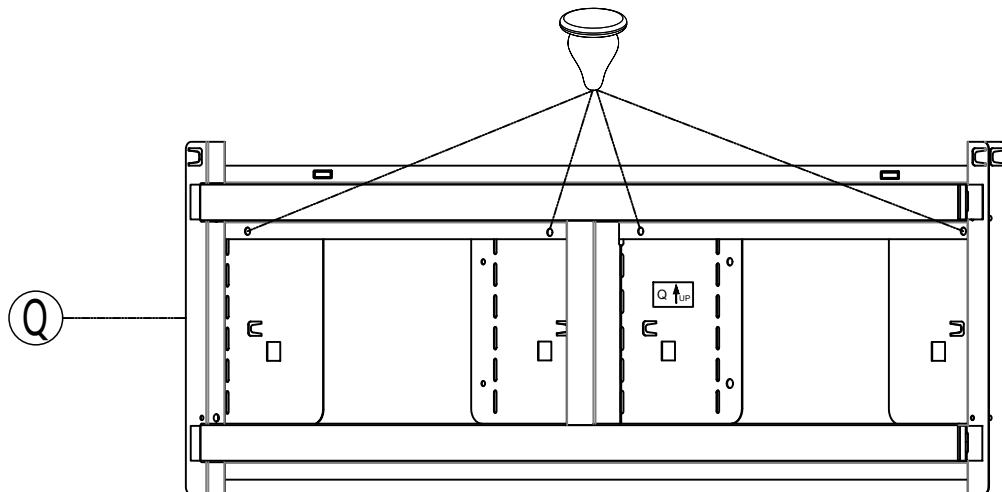
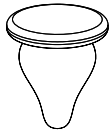


Step 5

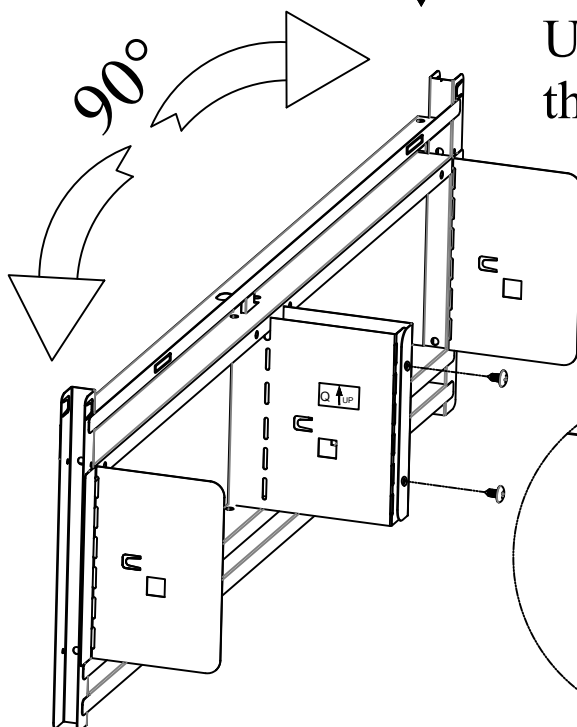
Ⓝ x 2



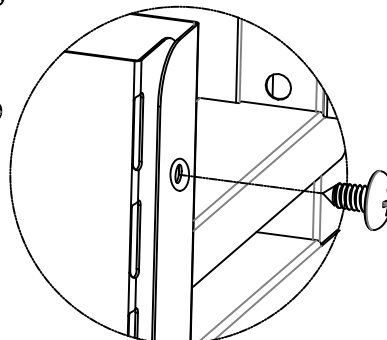
Ⓤ x 4



Install 4 U on the middle panel Q



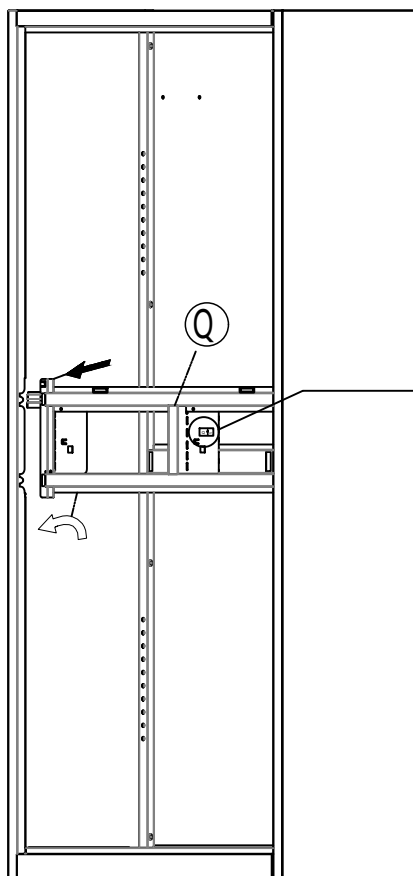
Unfold each piece and connect the middle with 2 screw N



Step 6

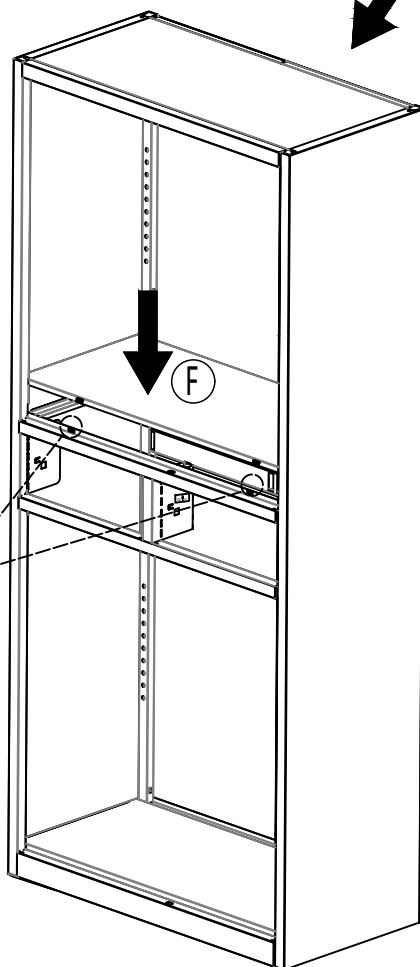
N  x 4

Insert Q on the middle of the cabinet

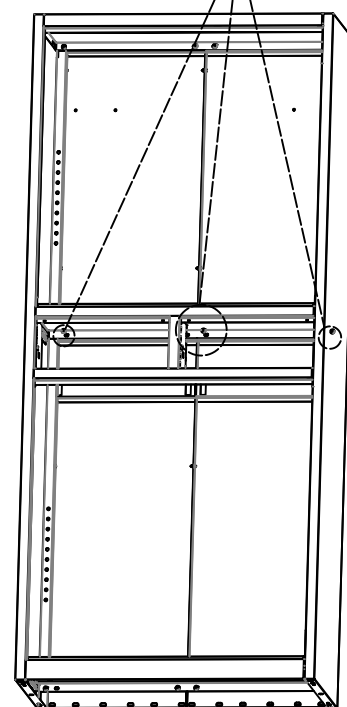
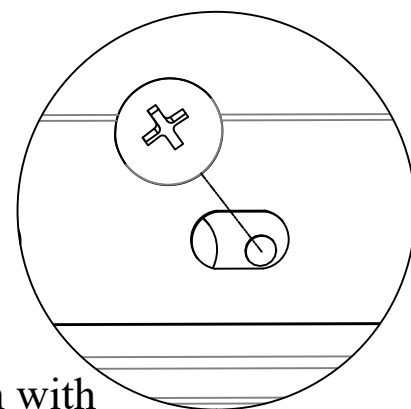


Pay attention to the direction

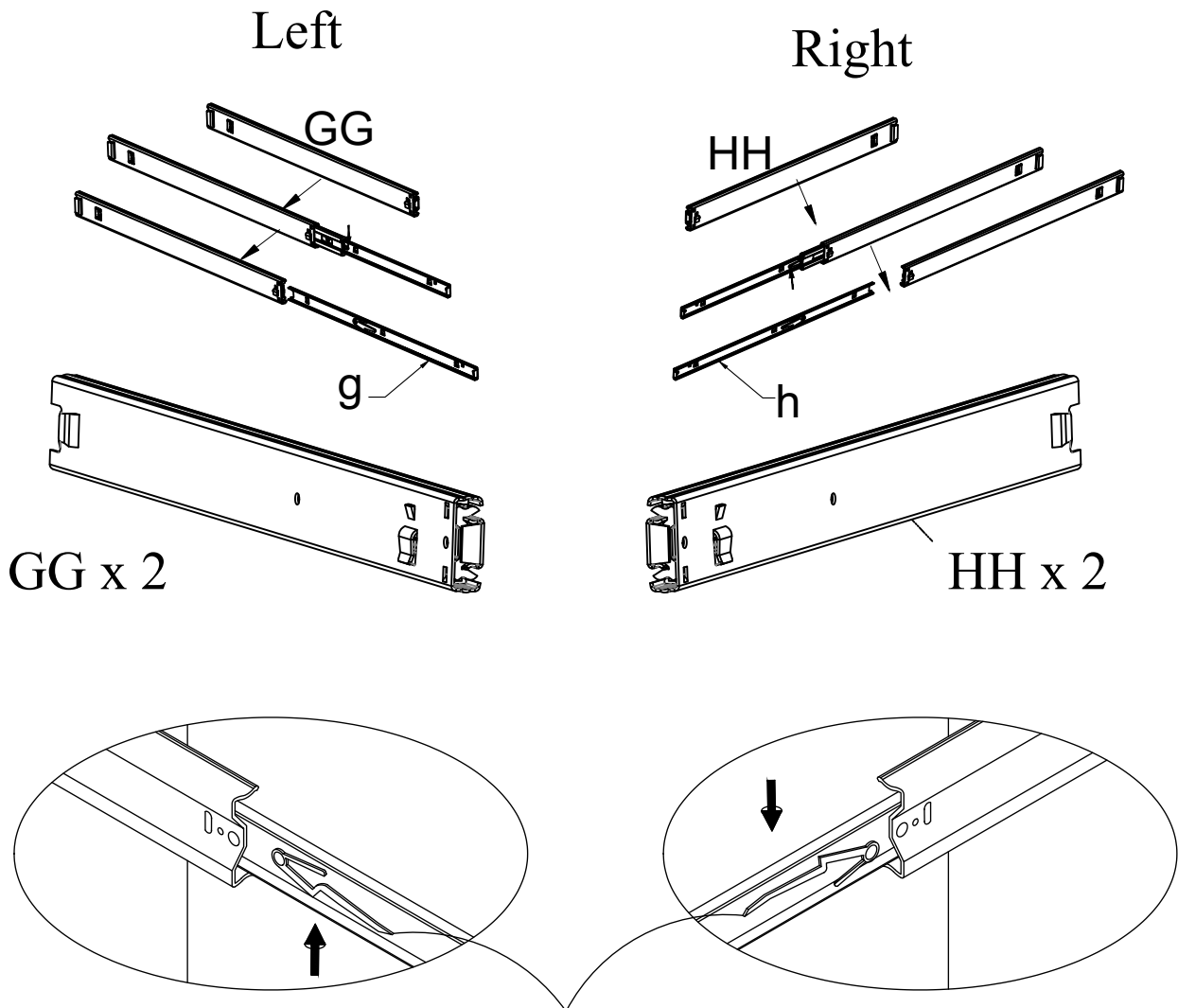
Put F on Q and they should be connected by the small clasps in front



Fasten them with 4 screw N



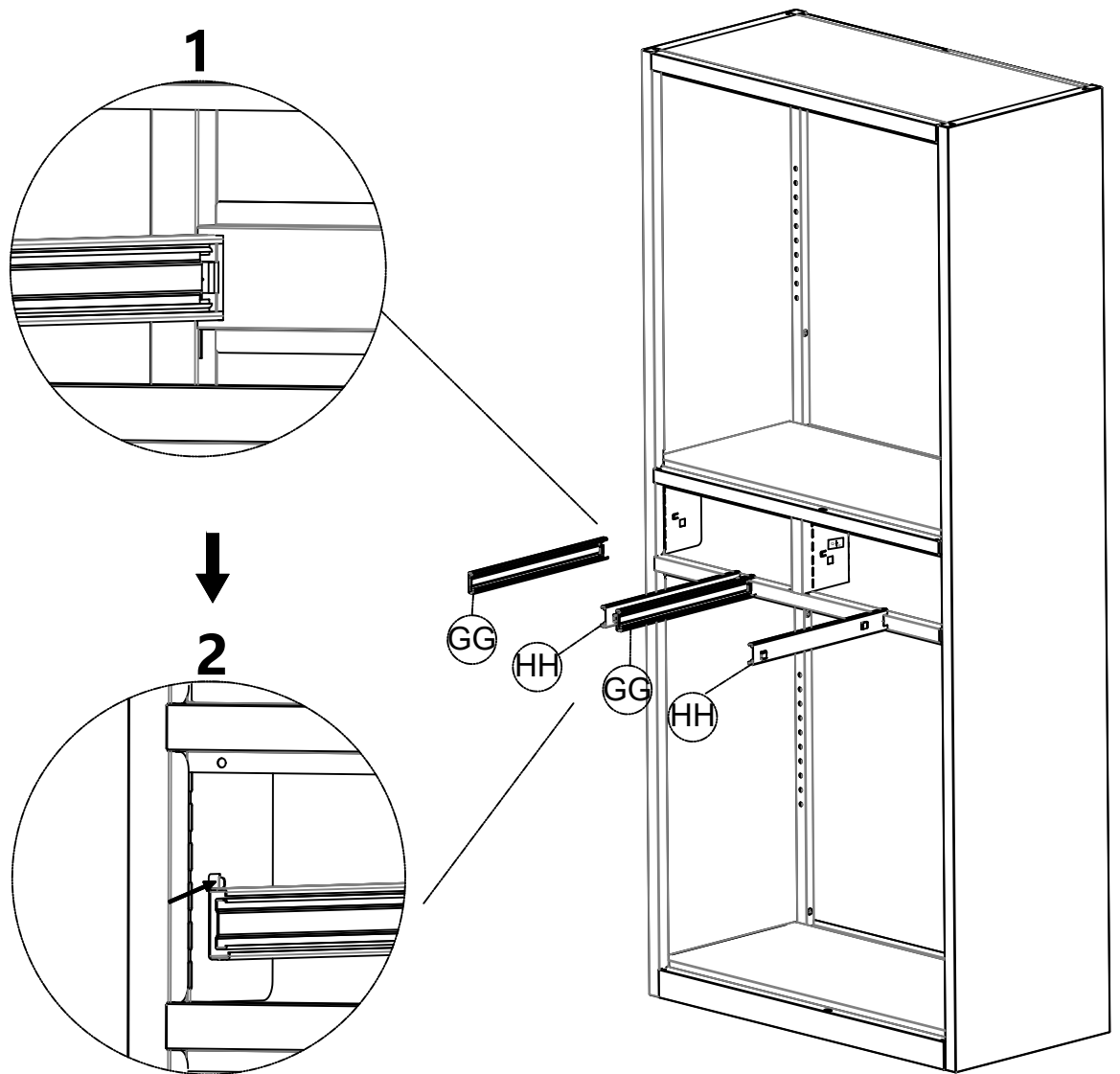
Step 7



Disconnect Levers

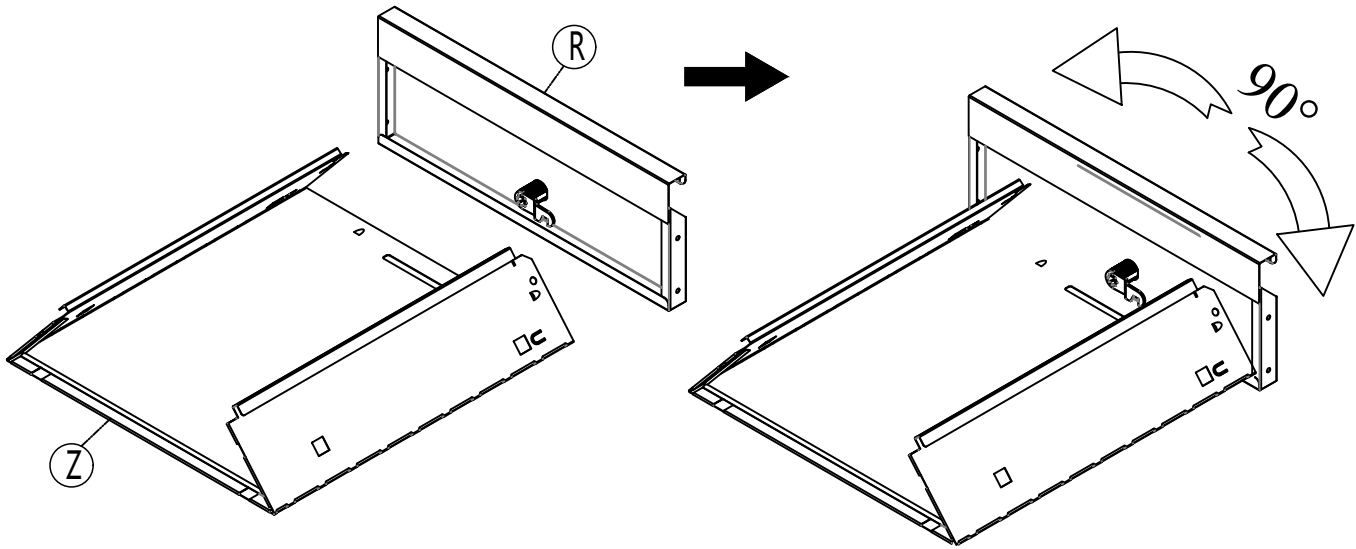
Press the clips and pull out the slide rails,
take out g and h from GG and HH

Step 8

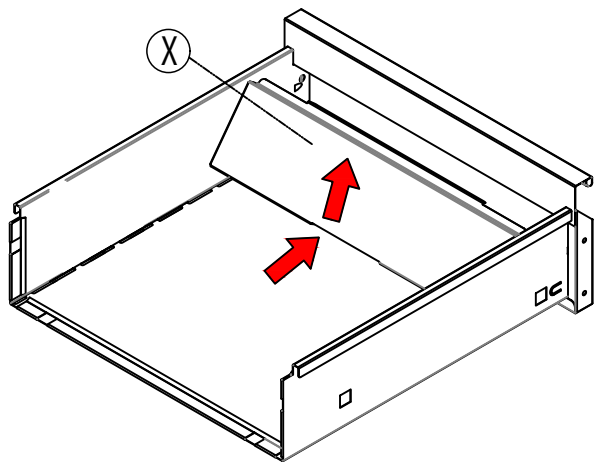


Install the rails GG and HH, the rails and Q should be connected on the back, then unfold the clips in the middle of Q

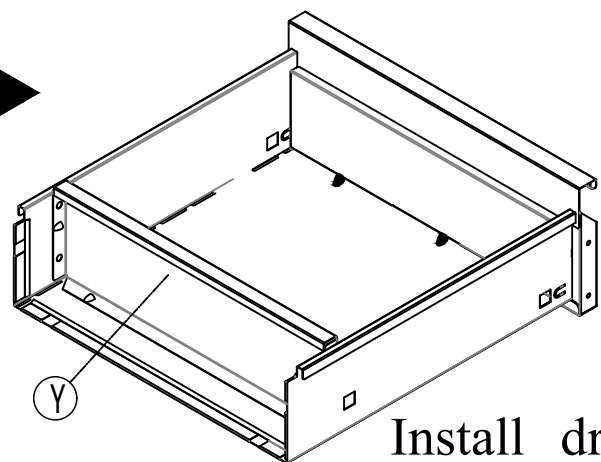
Step 9



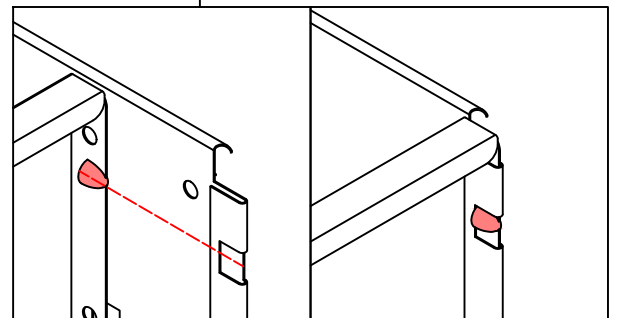
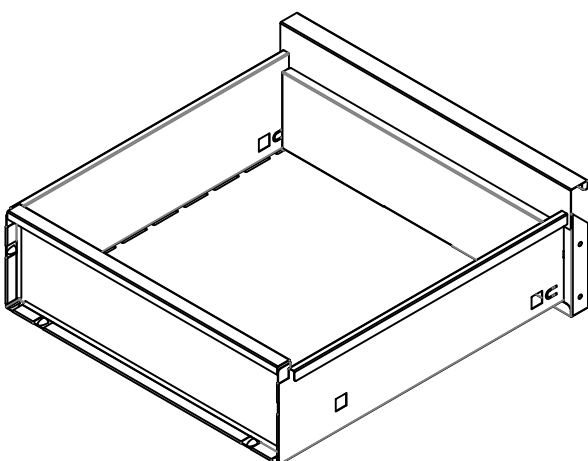
Install Z on R and unfold Z



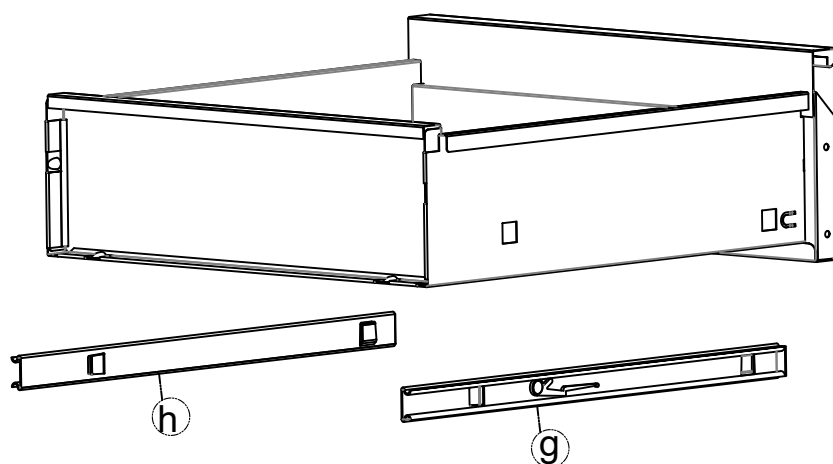
Install X on Z and R



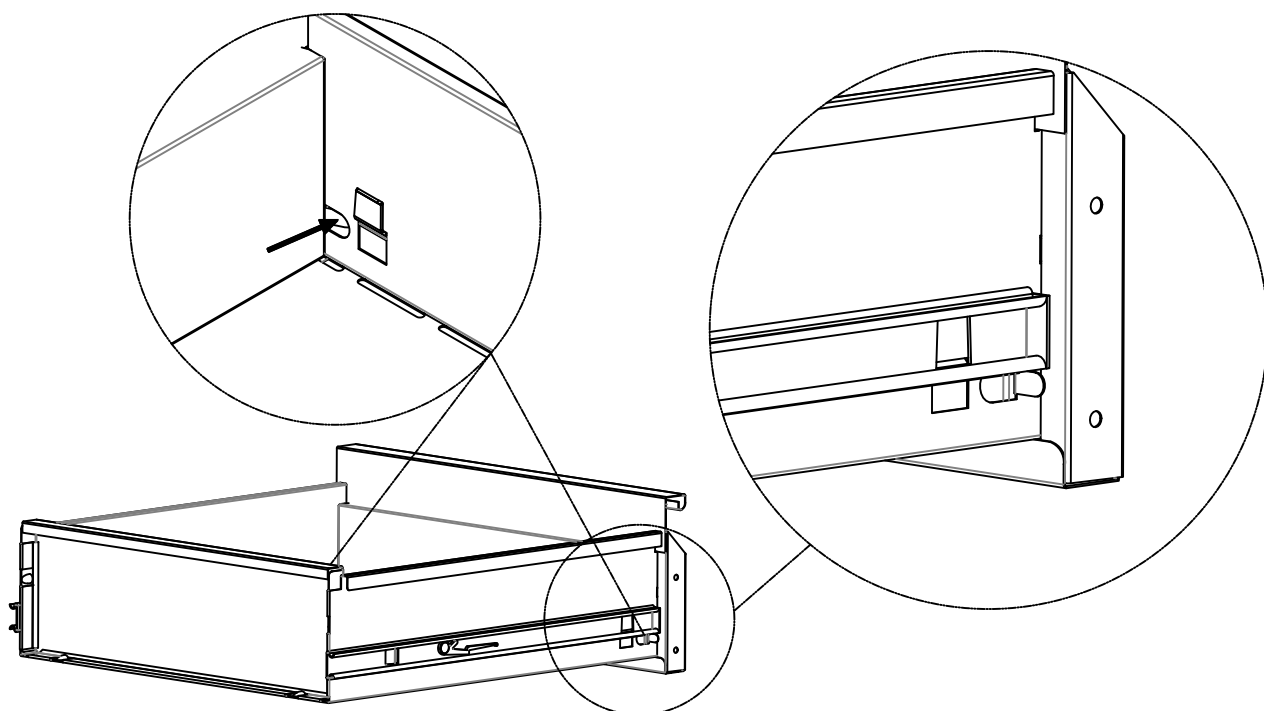
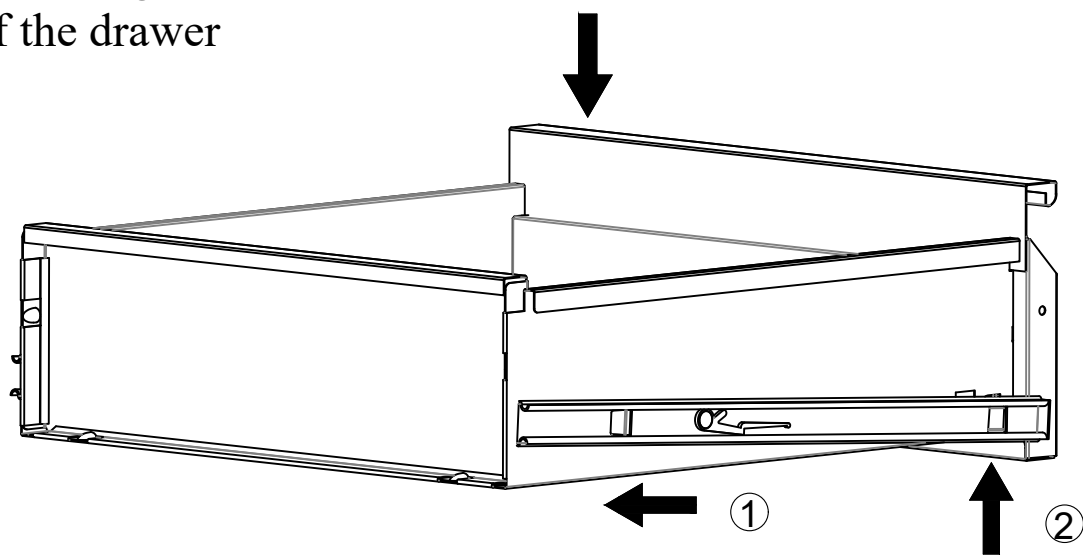
Install drawer back panel Y



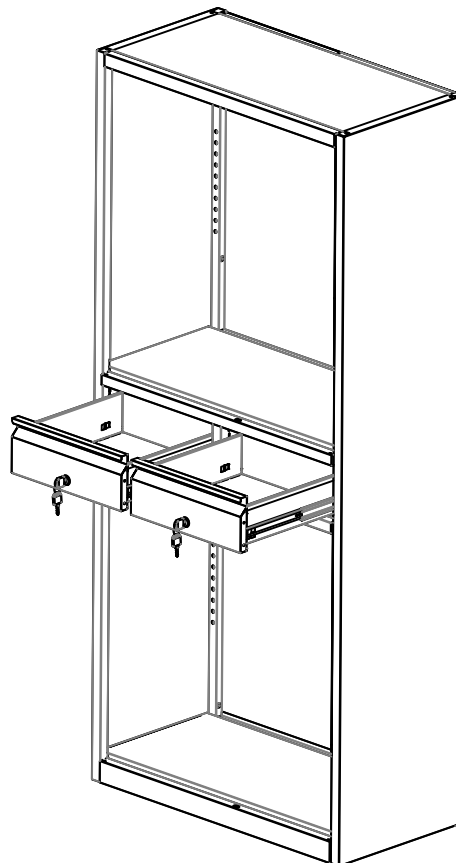
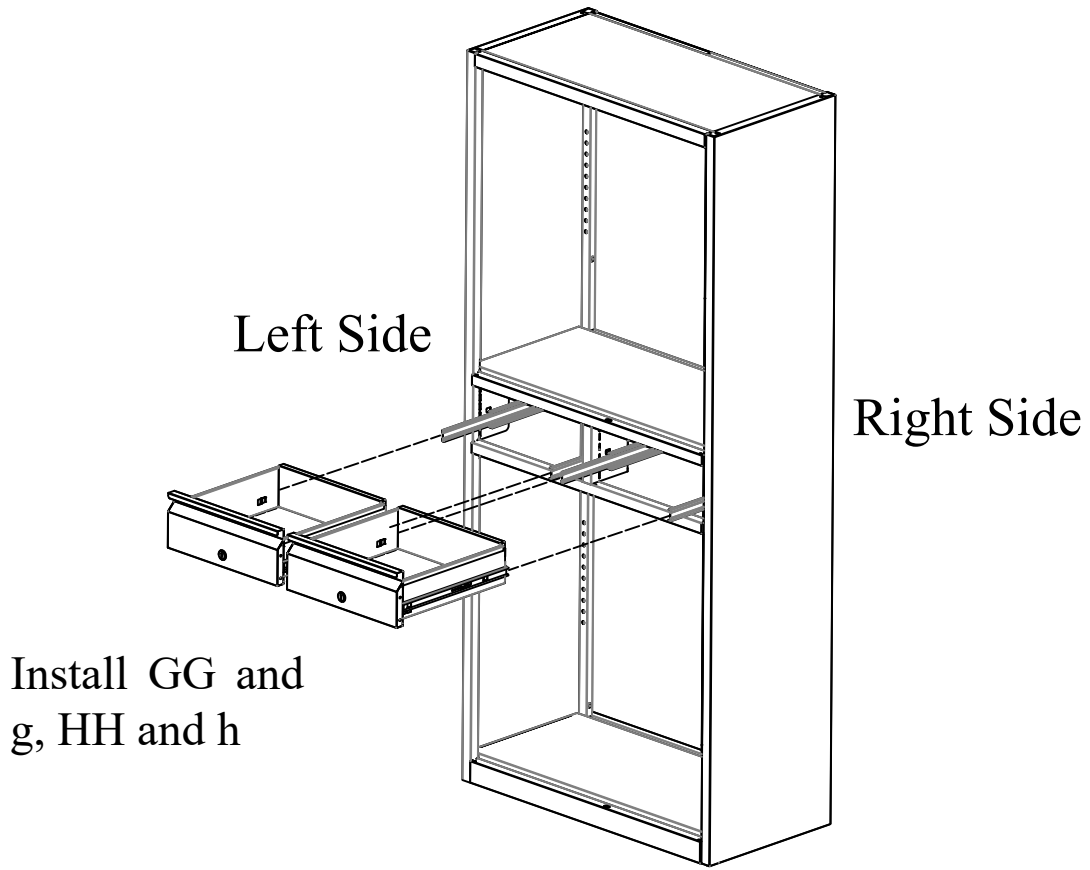
Step 10



Install h and g on both sides of the drawer

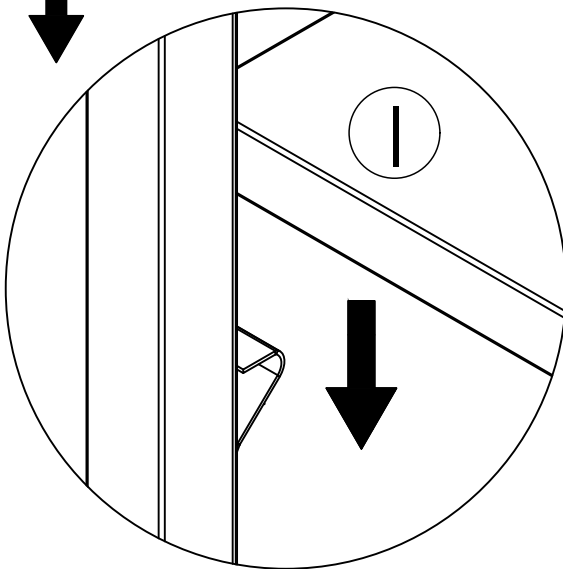
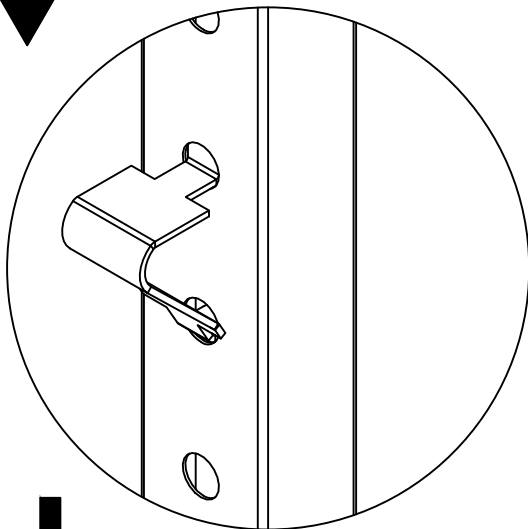
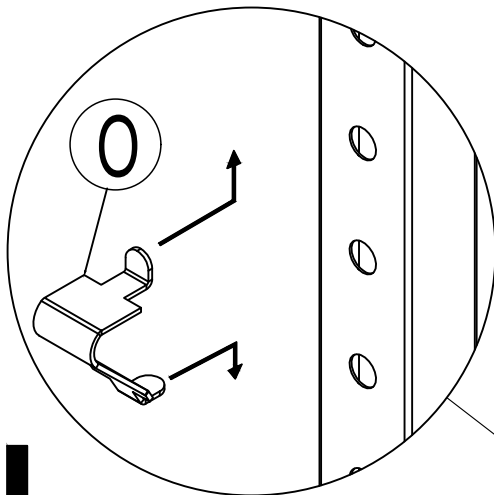


Step 11

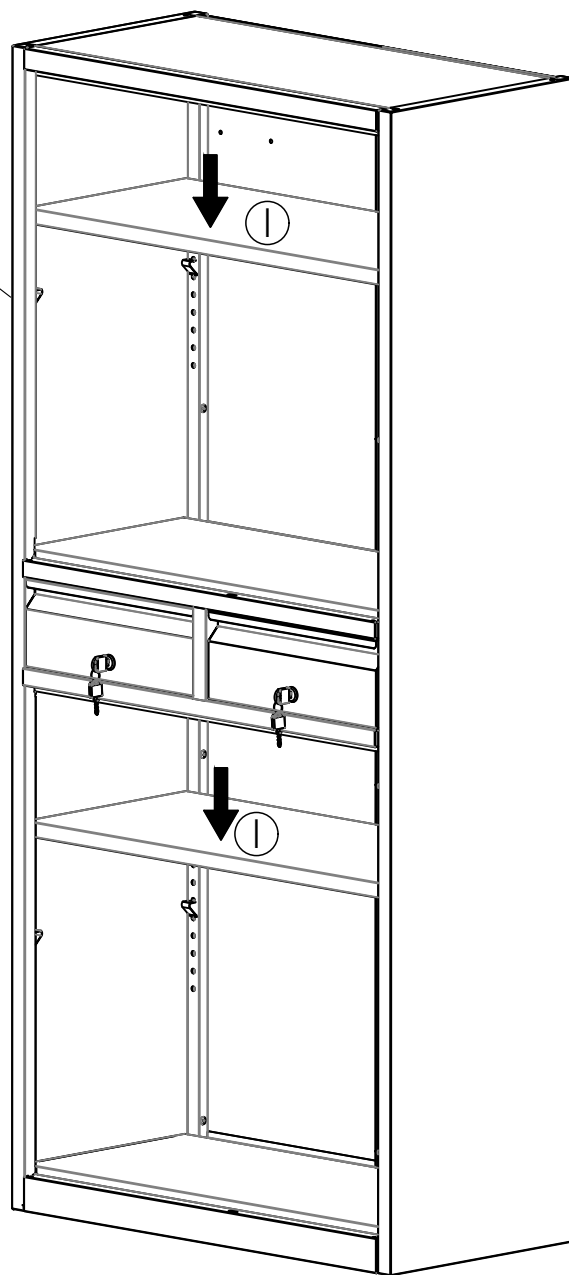


Step 12

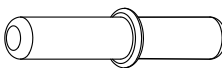
⊙  x 8

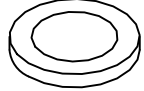


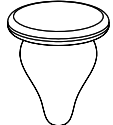
Install shelf clasps at the same level and put the shelves I on them

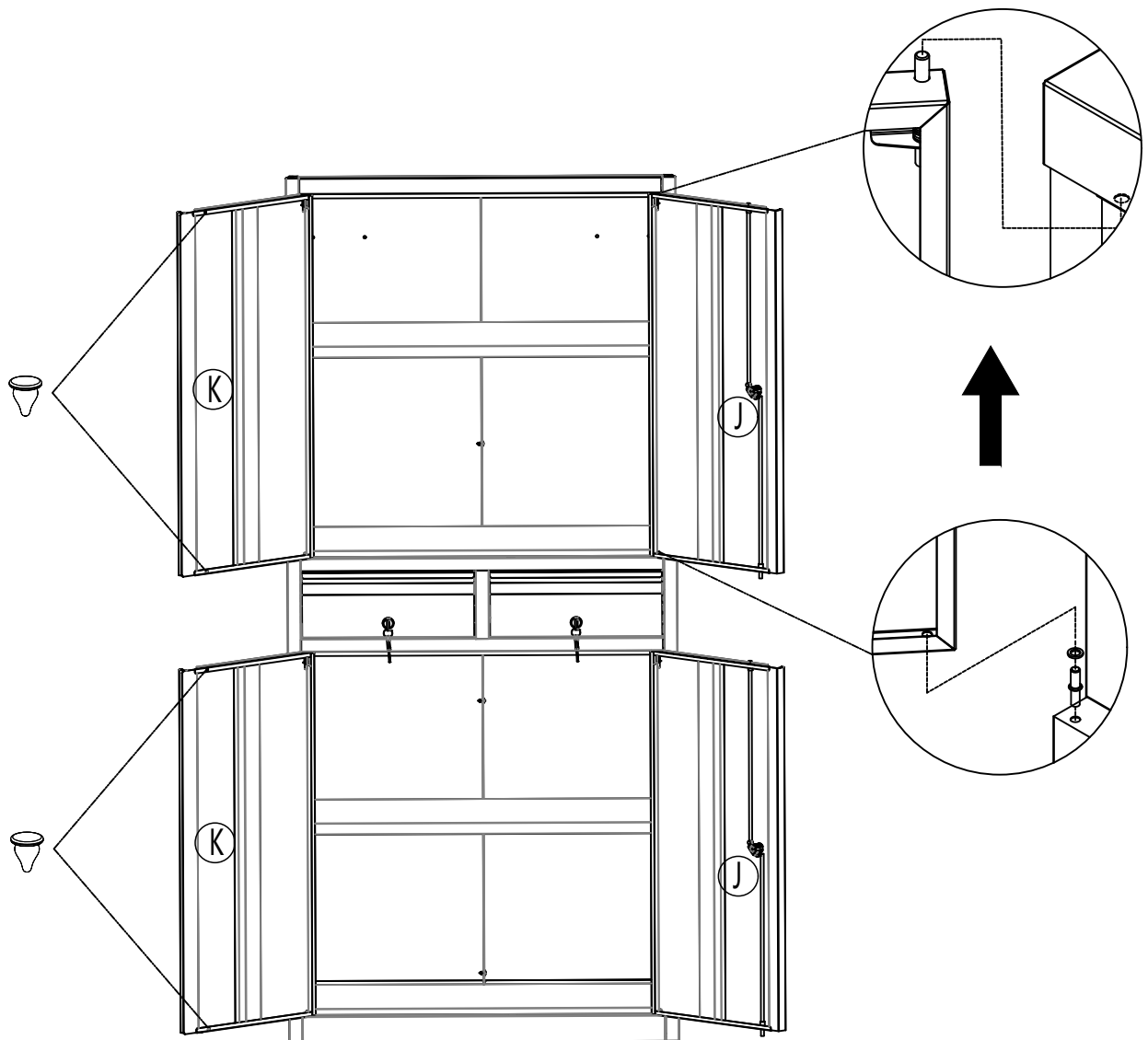


Step 13

Ⓢ  x 4


Ⓣ  x 8

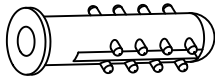
Ⓤ  x 4



Insert S and T to each bottom corner of the doors, then install doors K and J
(T can be used to adjust, you can use 0 or 1 or 2 of them)

Step 14

Ⓛ  x 2

Ⓜ  x 2

Fix the cabinet on the wall
with 2 screw M and 2 screw L

