





Assembly Instructions

Your recliner comes packed in **one box**. Carefully remove all of the components from the packaging and set a side for assembly.

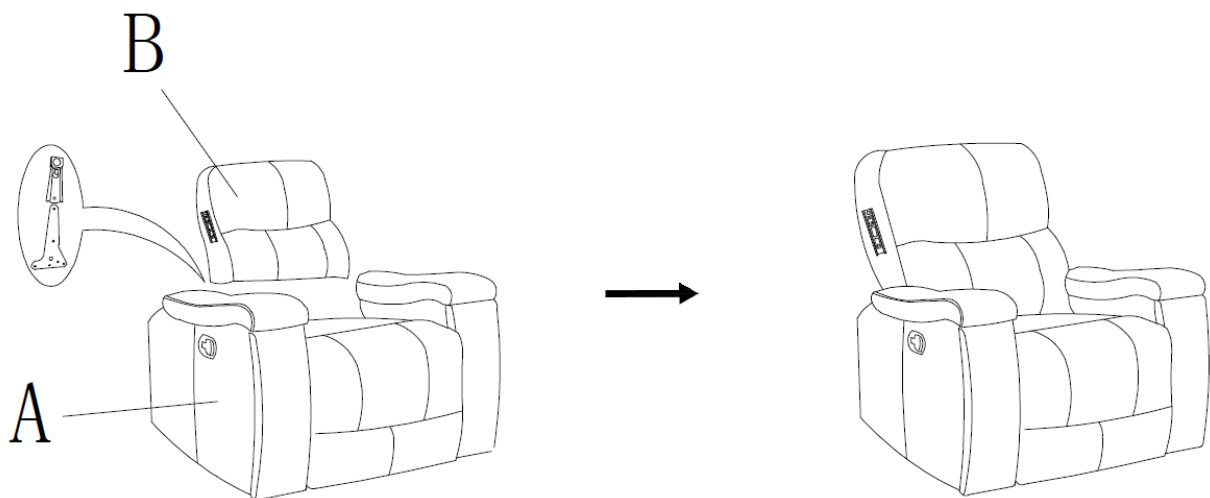
CAUTION
DO NOT use any sharp objects to open plastic wrapped components as this may result damage to product or components .

Package Contents

A×1 	B×1 	C×1 	D×1 
SEAT*1	BACKREST*1	RIGHT EAR*1	LEFT EAR*1

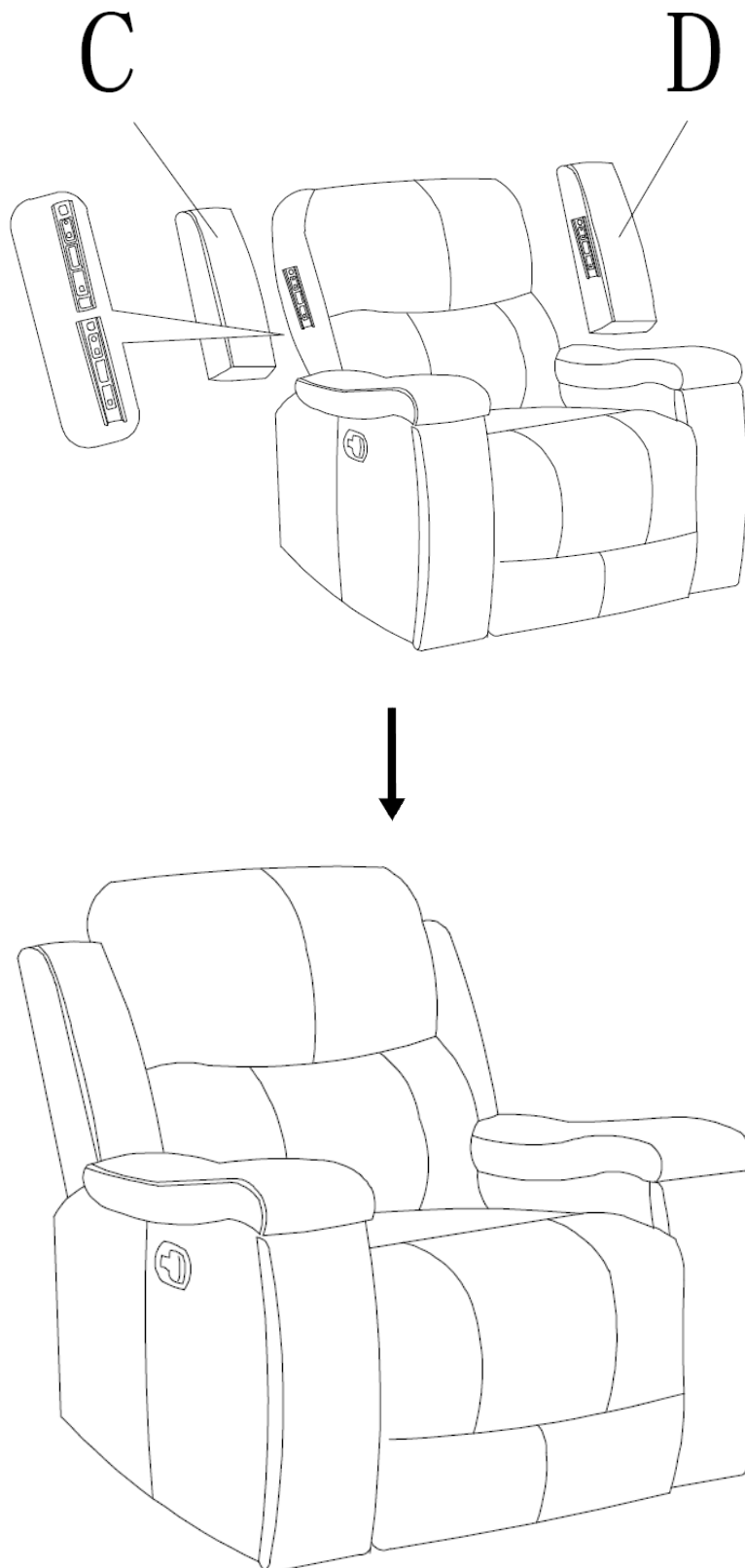
STEP 1

Insert the **Backrest (B)** on the plug-in behind the **Seat (A)** from top to bottom. After the installation is completed, the installation is complete if it can not be lift up.



STEP 2

Please insert the **Right ear (C)** on the backrest from top to bottom, and insert the **Left ear (D)** on the backrest from top to bottom



Warnings

1. Please check if the components of the chair are all included and can be used normally as the 5th tip.
2. Assemble all components according to the instruction correctly before you connect the chair with the power.
3. Please DO NOT sit on the armrests and footrest to eliminate the risk of tipping over.
4. If the sofa is damaged or doesn't match the website product, please send clear pictures of the product and label of the carton to our service team, and we'll help you to solve the problem.
5. If the recliner doesn't work, you can try the following measures for self-checking firstly:
 - ① Check if all the cable are connected;
 - ② Check if the light of transformer is on.If the chair still doesn't work, please feed the information back to the customer service in time. We will help solve the problem for you as soon as possible.
6. If you have any questions with the product, please contact us

