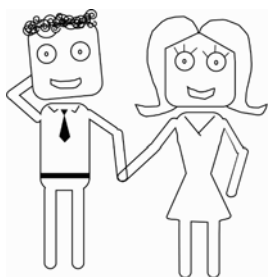
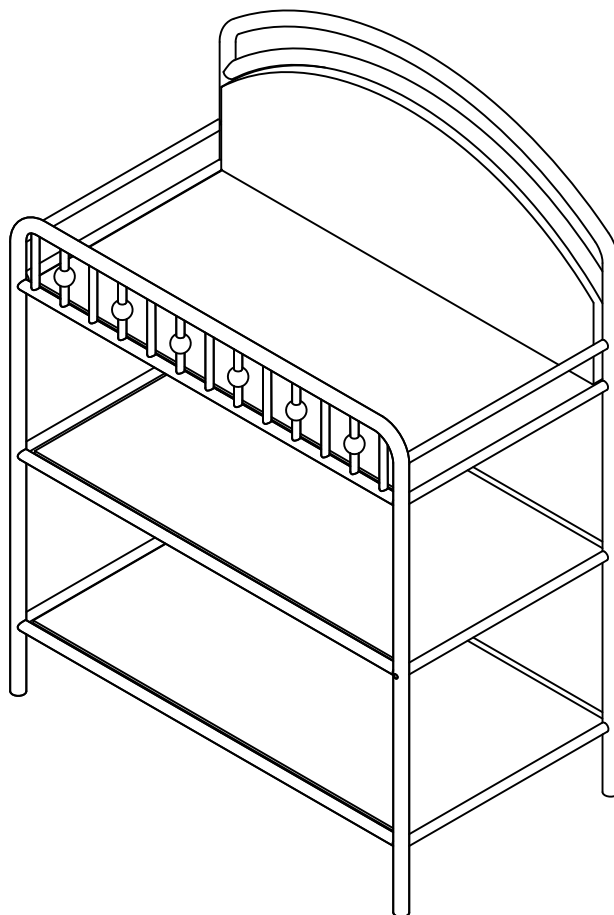


JIX6854

Metal Changing Table

Keep this Assembly Manual for future reference.



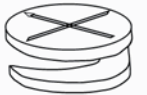
Two adults
recommended
for assembly

This product is not intended for commercial use.

Do NOT return this product.

Helpful Hints

- Open your item in the area you plan to keep it for less heavy lifting
- Identify, sort and count the parts before attempting assembly
- Compression dowels are tapped in with a hammer
- Slides are labeled with an R (right) and L (left) for proper placement
- Make sure to always face the point on the top of the Can Lock towards the outer edge
- Use all the nails provided for the back panel and spread them out equally
- Back panel must be used to make sure your unit is sturdy
- Do NOT use harsh chemicals or abrasive cleaners on this item
- Never push, pull, or drag your furniture



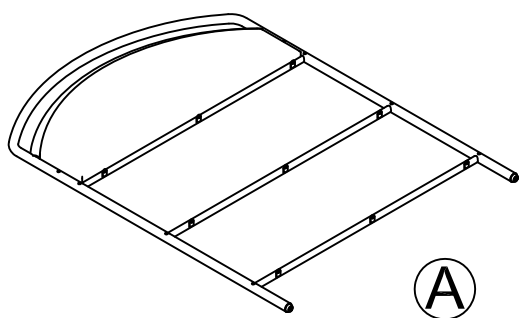


Warning

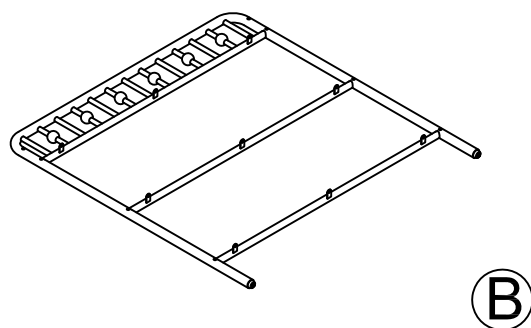


- * FAILURE TO FOLLOW THESE WARNING AND ASSEMBLY INSTRUCTIONS COULD RESULT IN SERIOUS INJURY OR DEATH. READ ALL INSTRUCTIONS BEFORE ASSEMBLING CHANGING TABLE. KEEP INSTRUCTIONS FOR FUTURE USE.
- * FALL HAZARD - TO PREVENT DEATH OR SERIOUS INJURY FROM FALLS, ALWAYS KEEP CHILD WITHIN ARM'S REACH. NEVER LEAVE CHILD UNATTENDED.
- * This changing table is intended for use with children weighing up to 30 pounds.
- * This changing table is not intended to be used without changing pad. Use of the product without this may result in death or serious injury to your child from falling. Follow all instructions on attaching and using the changing pad.
- * Purchase a certified changing pad that meets the following dimensions to be used with this changing table: 32 inches long x 16-1/2 inches wide. this pad may be up to 1 inch thick..
- * The changing table should be inspected periodically for damaged or loose hardware and fasteners, missing parts or sharp edges. DO NOT use changing table if any parts are missing or broken. Contact a customer service representative at 1-800-489-3351 for replacement parts and instructional literature if needed. DO NOT substitute parts.
- * This product must be assembled by an adult.
- * **Cleaning and Maintenance Instructions:**
Clean this product with your favorite polish and a soft cloth. DO NOT USE harsh chemicals or abrasive cleaners.

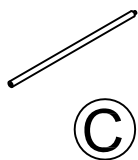
Board Identification



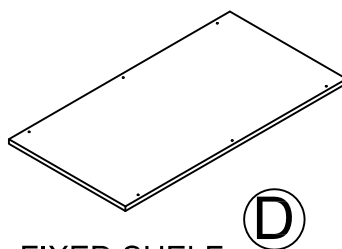
SIDE FRAME
1PC



SIDE FRAME
1PC



RAIL
6PCS

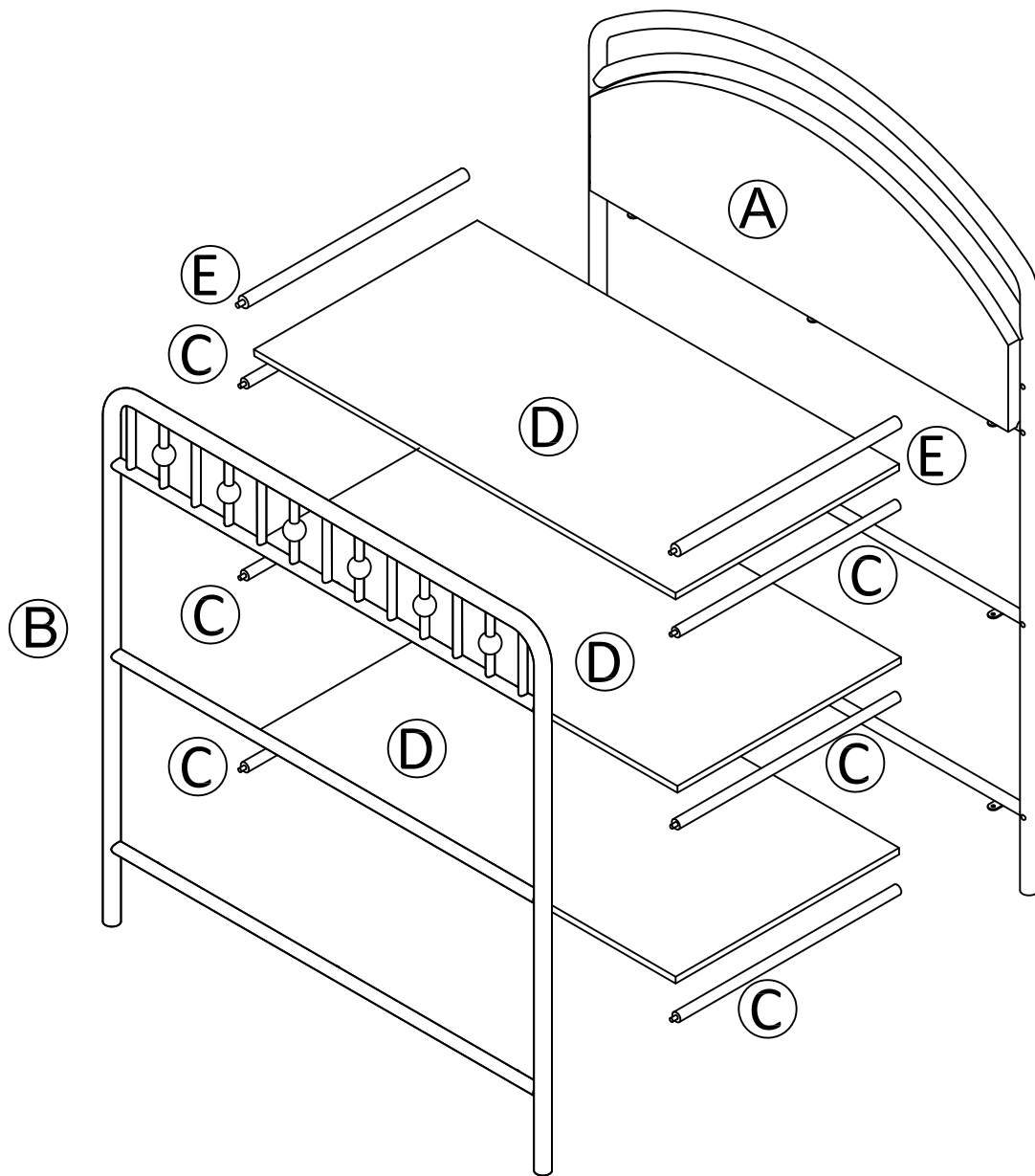


FIXED SHELF
3PCS



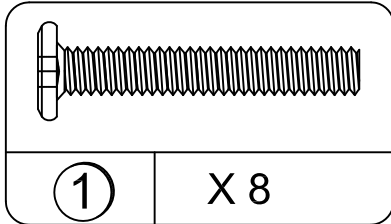
RAIL
2PCS

Board Identification

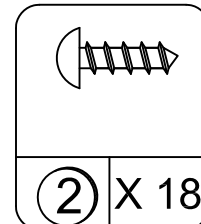


Parts List

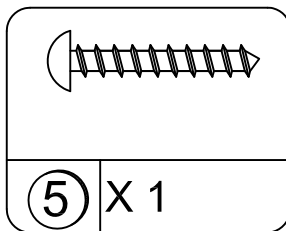
Actual Size



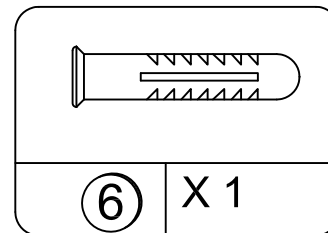
1/4 " x 40mm BOLT



M4.2 x 13 SCREW



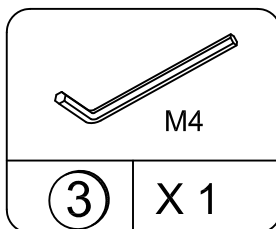
M4.2 x 25mm SCREW



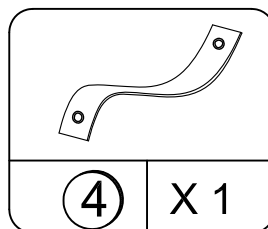
Ø9 x 30mm WALL ANCHOR

Parts List

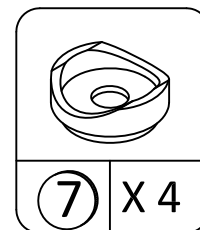
Not Actual Size



HEX KEY

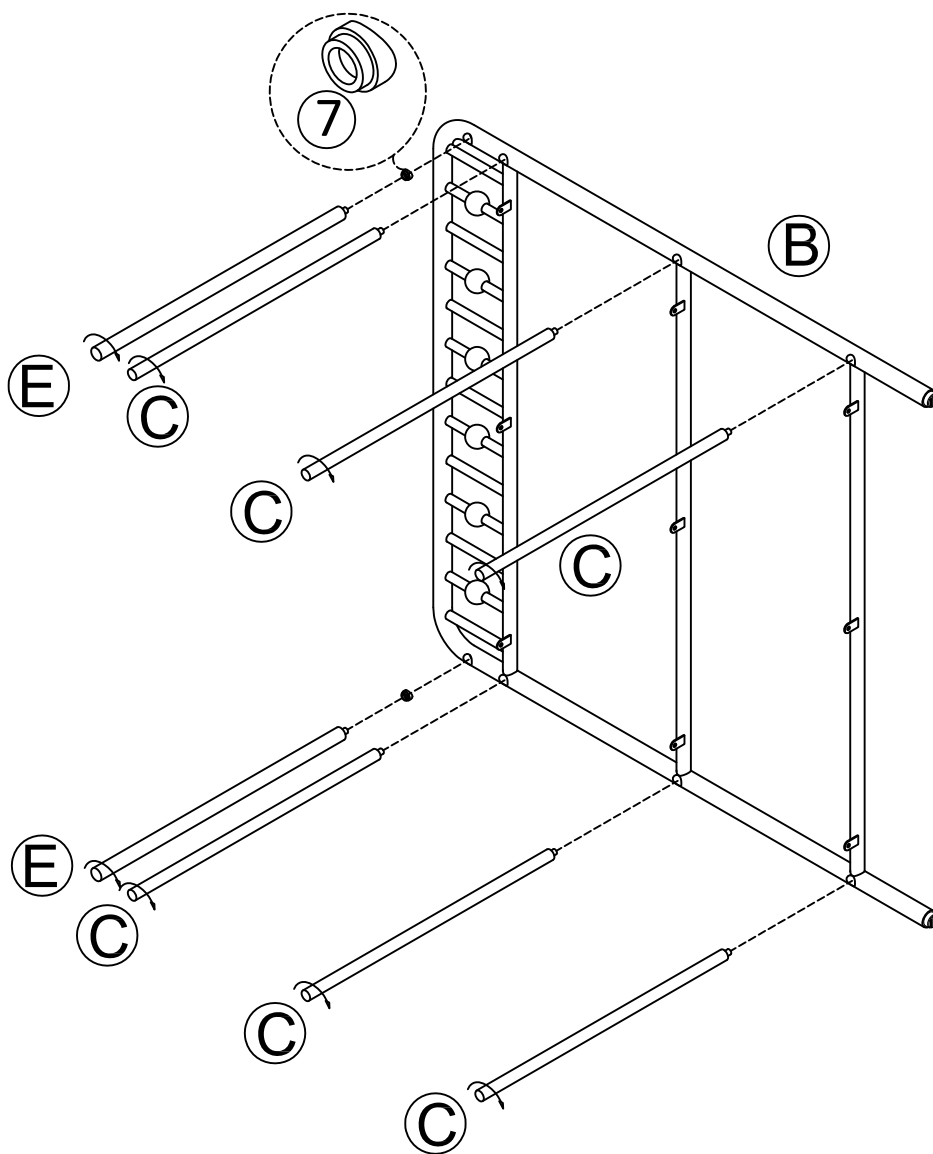
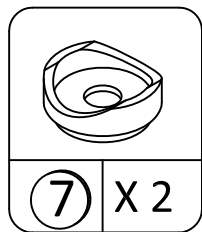


SAFETY STRAP

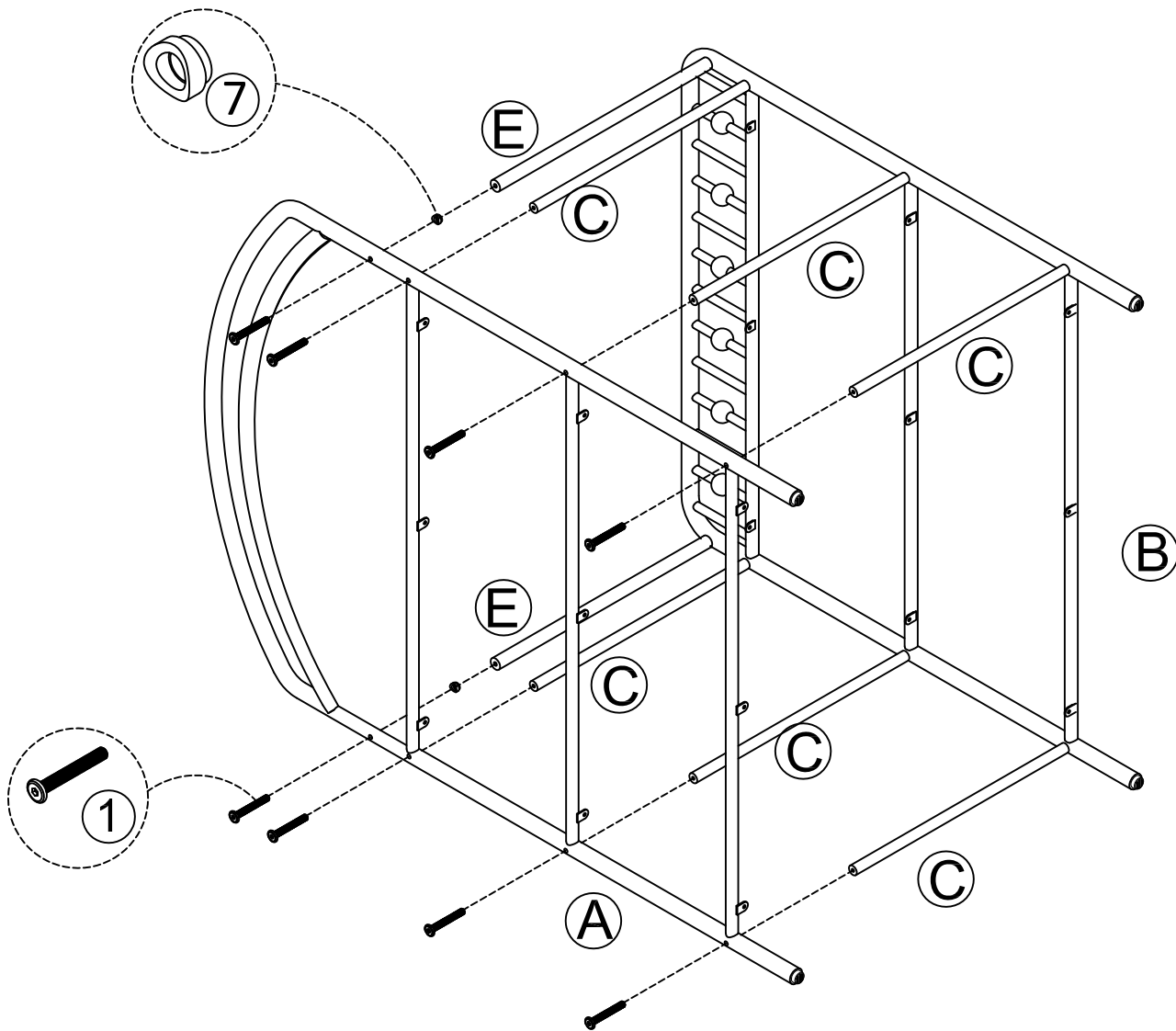
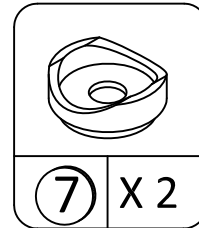
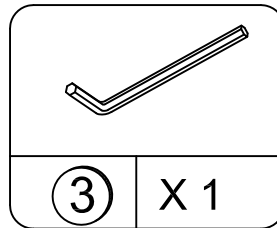
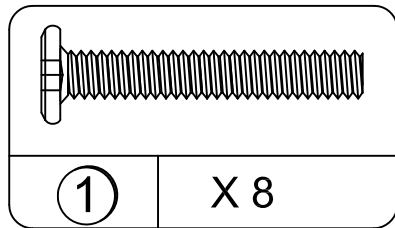


NYLON SPACER

Step 1

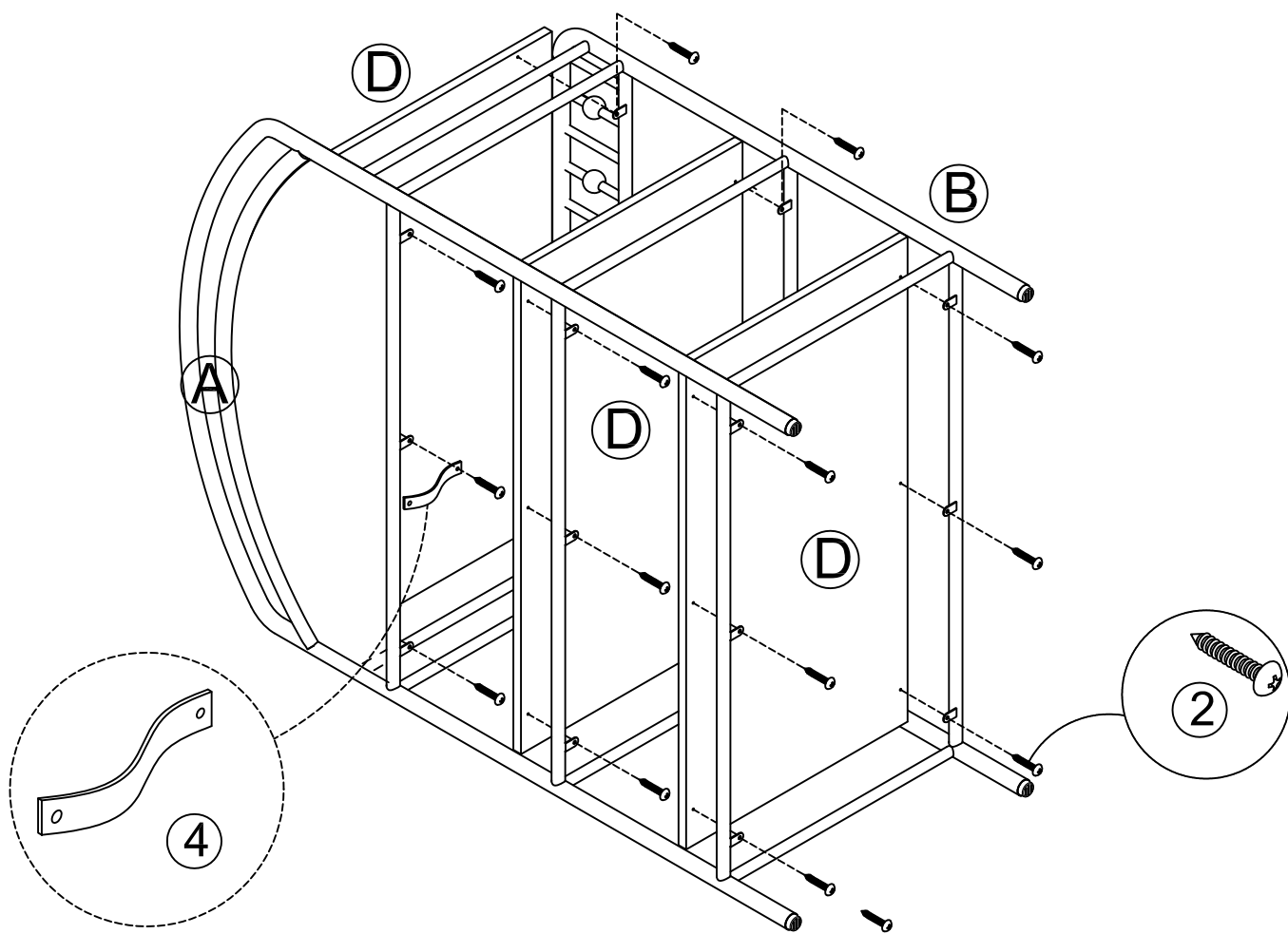
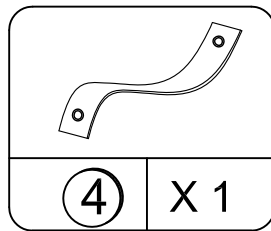
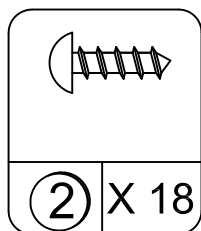


Step 2

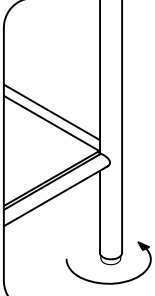
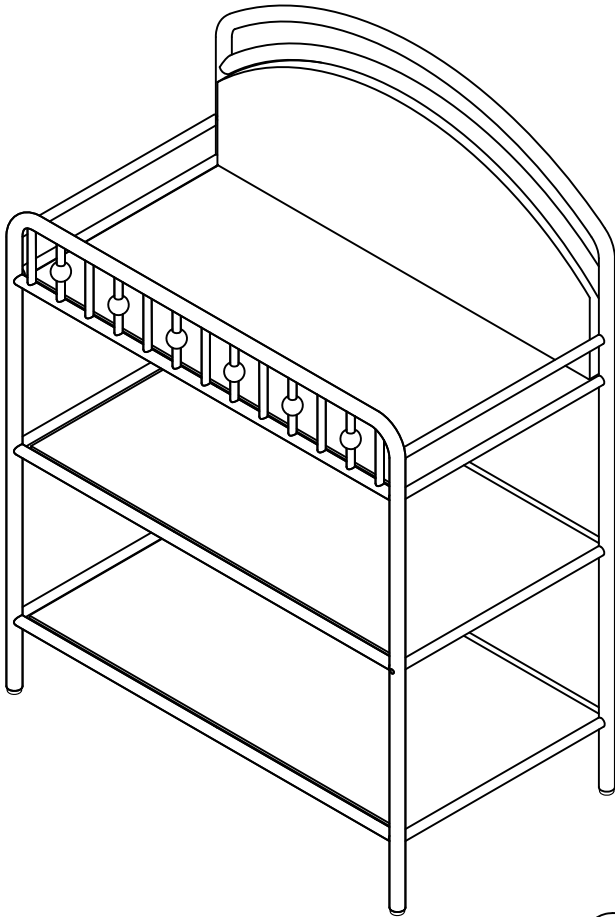


CAUTION
Please make sure all bolts are securely tightened. Failure to do so may result in collapse of unit, property damage or injury.

Step 3

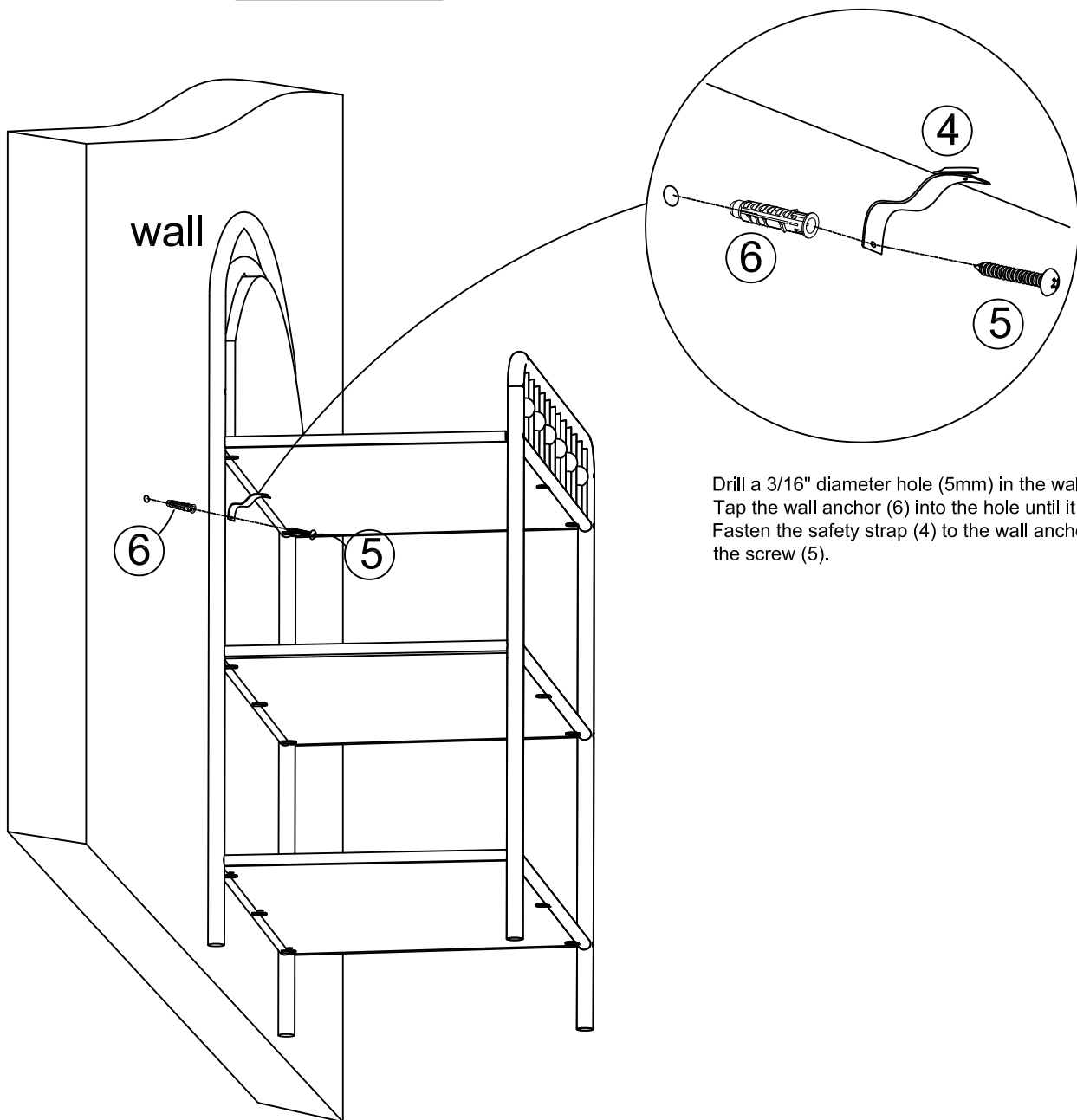
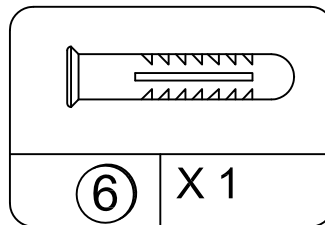
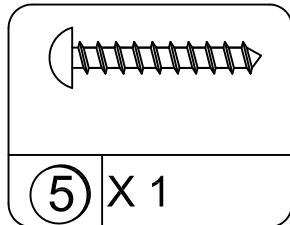


Step 4



If the ground is uneven, adjust the foot levelers by rotating them to your preferred height. Once the cabinet is standing and the levelers are adjusted, make sure the unit does not wobble.

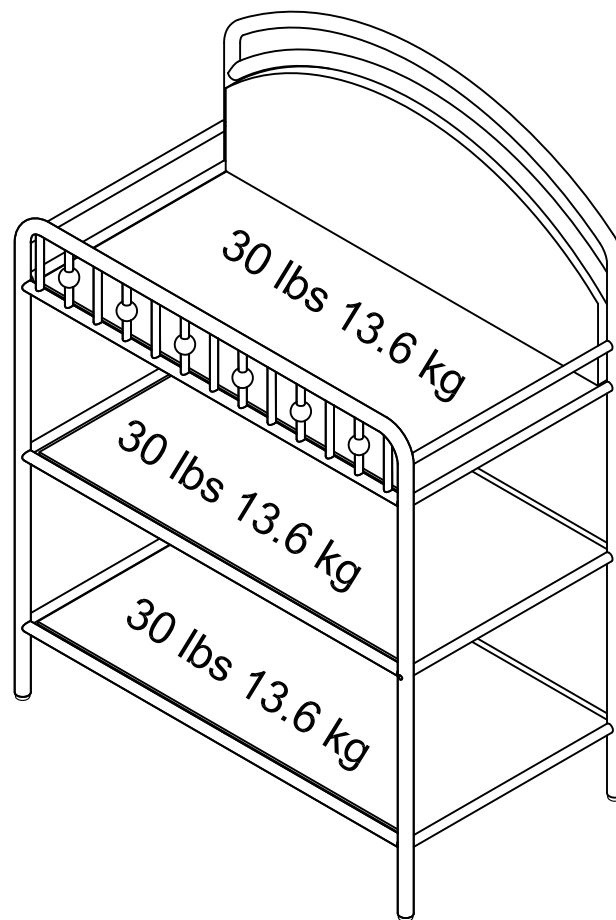
Step 5



Drill a 3/16" diameter hole (5mm) in the wallboard.
Tap the wall anchor (6) into the hole until it is flush.
Fasten the safety strap (4) to the wall anchor (6) with the screw (5).

MAXIMUM LOADS

This unit has been designed to support the maximum loads shown. Exceeding these load limits could cause sagging, instability, product collapse, and/or serious injury. Please make sure that all objects are removed before moving the assembled unit. The unit must be team lifted, not dragged or pushed. Failure to do so could cause instability, product collapse, and/or serious injury.



Warning: Risk of injury to persons - Do Not place a television on this furniture. This furniture is not approved for use with a television.