

Solid Hardwood Bunk Bed

Congratulations on the purchase of your Solid Hardwood Bunk Bed. This bed has been crafted to the highest standards of quality and safety and will give you many years of enjoyment and practical use. Your bunk bed can be separated into two individual twin beds if the need arises for alternate sleeping configurations.

Since this bed is a natural wood product, there will be variations in color and grain, and minor checking may occur. This is normal and does not compromise the integrity of your bed. In fact, variation in character of solid hardwood is integral to the beauty and appeal of hardwood furniture, and distinguishes it from prefabricated, synthetic and composite materials.

Several basic safety considerations must be adhered to when using this bunk bed.

TO HELP PREVENT serious or fatal injury from entrapment or falls:

- Never allow a child under 6 years on upper bunk
- Always use the recommended size mattresses or mattress supports – standard twin 38" x 74" (96.5 cm x 188 cm) – to help prevent the likelihood of entrapment or falls
- Ensure thickness of mattress does not exceed 9" (22.9 cm) for the upper bed
- Surface of mattress must be at least 5" (12.7 cm) below upper edge of safety rails
- Always use safety rails on both sides of upper bunk
- Do not allow horseplay on or under bed(s) and prohibit jumping on the bed(s)
- Prohibit more than one person on upper bed
- If the bunk will be placed next to a wall, the safety rail that runs the full length of the bed should be placed against the wall to prevent entrapment between the bed and the wall
- Follow the information on the warnings appearing on the upper bunk end board and on the carton
- Do not remove warning label from bed
- Periodically check and ensure that the safety rails, ladder and other components are in their proper positions, free from damage, and that all connectors are tight
- Do not use substitute parts
- Contact manufacturer or dealer for replacement parts
- The use of a water or sleep flotation mattress is prohibited
- Keep these instructions for future reference
- Use of a night light may provide added safety precaution for a child using the upper bunk
- **STRANGULATION HAZARD** - Never attach or hang items to any parts of the bunk bed that are not designed for use with the bed, including but not limited to hooks, belts or jump ropes

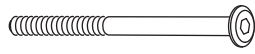
On this insert you will find a list of the hardware and bunk bed parts included, as well as detailed assembly instructions. Assembly is quite simple, and requires only a flat head screwdriver and a Phillips head screwdriver. The use of a power drill with Phillips head attachment is helpful but not necessary. Assembly will be most easily accomplished if you take the time to carefully sort the hardware and familiarize yourself with the function of each piece.

If you need assistance with assembly, part replacement, or any other matter, please contact the toll-free Customer Service Team. You may also email your request or comments and a customer service representative will respond.

Thank you and Enjoy

HARDWARE LIST

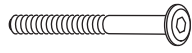
16 **110mm bolts**
Used to connect headboards and footboards to side rails



16 **Barrel nuts**
Used to secure bolts



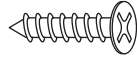
16 **40mm bolts**
Used to attach safety rail to bunk



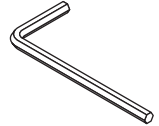
4 **Upper/lower bunk connector pins**
Used to connect upper bunk to lower bunk



56 **30mm slat screws**
Used to secure slats to rails



1 **Hex key**
Tool used to tighten bolt hardware

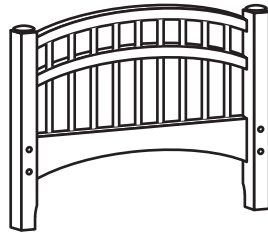


2 **15mm wood screws**
Used to secure ladder hooks to ladder



BUNK BED PARTS

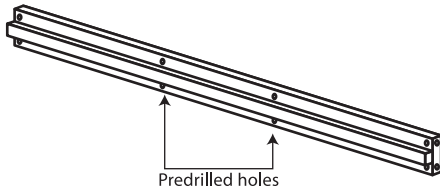
2 **Shorter end boards**
Used on upper bunk



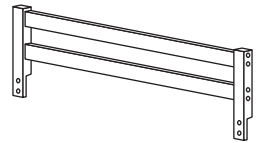
2 **Taller end boards**
Used on lower bunk



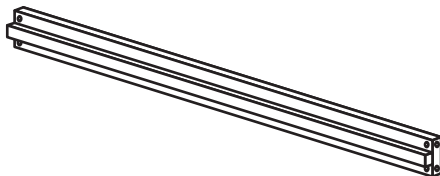
2 **Upper side rails**
Connect upper end boards



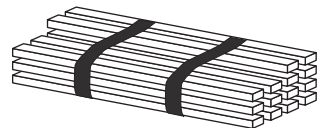
2 **Short safety rail**
Used on upper bunk



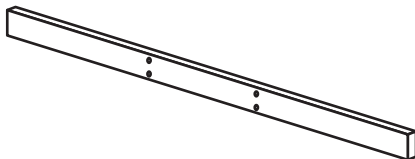
2 **Side rails**
Connect lower end boards



1 **Slat bundle**
Rest on side rails and support mattresses (**strap side down**)



2 **Long safety rails**
Used for attachment to upright support on upper bunk (wall side of bunk)

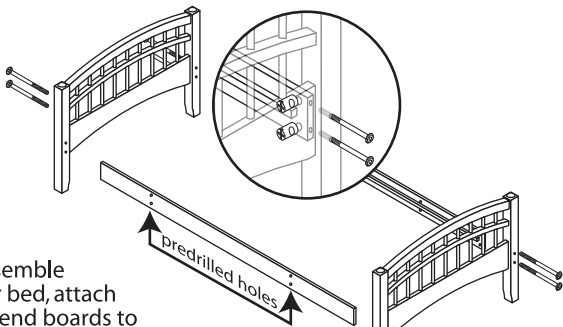


1 **Ladder**
Attaches to upper side rail for entry to upper bunk

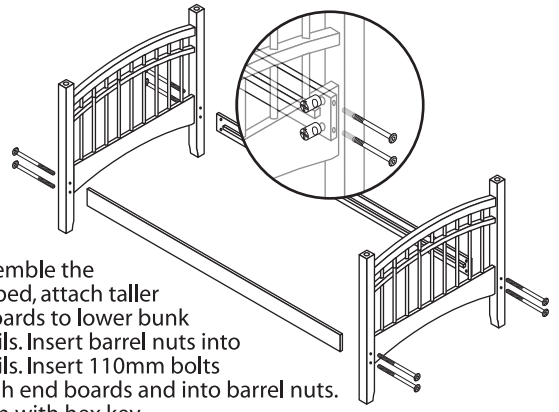


2 **Upright supports**
Used for attachment of long safety rails to upper bunk

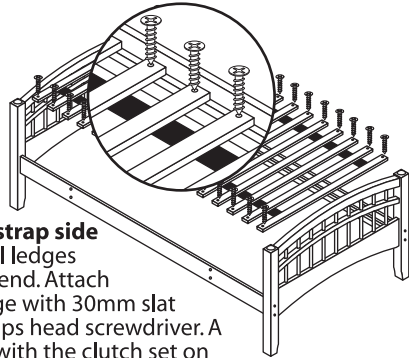




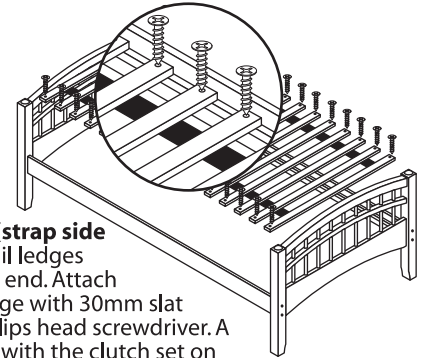
1) To assemble upper bed, attach short end boards to upper bunk side rails. The side rails on upper bed have predrilled holes for safety rail attachment. Each rail has a ledge, which should be oriented towards the center of the bed. Insert barrel nuts into side rails. Insert 110mm bolts through end boards and into barrel nuts. Tighten with hex key.



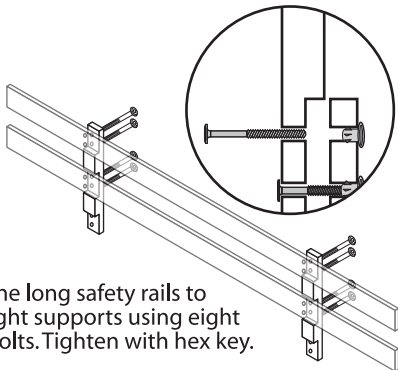
5) To assemble the lower bed, attach taller end boards to lower bunk side rails. Insert barrel nuts into side rails. Insert 110mm bolts through end boards and into barrel nuts. Tighten with hex key.



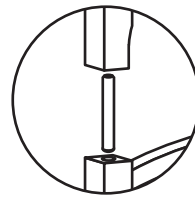
2) Unroll slat bundle (**strap side down**) onto side rail ledges evenly from end to end. Attach slats to side rail ledge with 30mm slat screws using a Phillips head screwdriver. A power screwdriver with the clutch set on low is useful here.



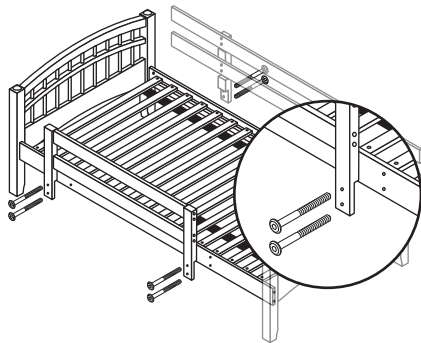
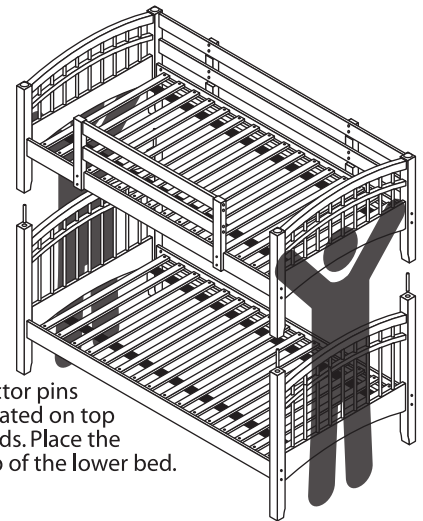
6) Unroll slat bundle (**strap side down**) onto side rail ledges evenly from end to end. Attach slats to side rail ledge with 30mm slat screws using a Phillips head screwdriver. A power screwdriver with the clutch set on low is useful here.



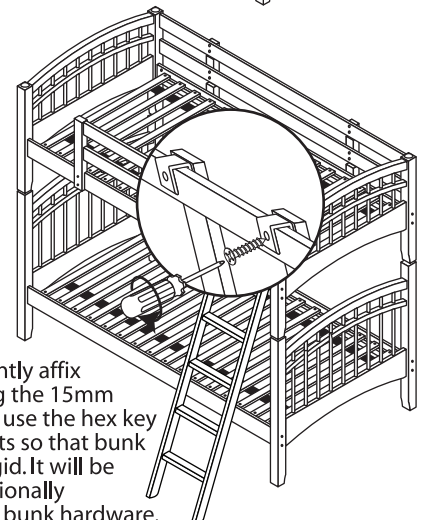
3) Attach the long safety rails to the upright supports using eight 40mm bolts. Tighten with hex key.



7) Insert the connector pins into the holes located on top of lower endboards. Place the upper bed on top of the lower bed.



4) Attach the long and short safety rails to the corresponding side rails of the upper bed using eight 40mm bolts. The long rail will be on the side of the bunk which can be placed against a wall. The short rail will be used on the side of the bunk accessed by the ladder and should never be placed against the wall.



8) You may permanently affix the ladder by using the 15mm wood screws. Now use the hex key to retighten all bolts so that bunk bed assembly is rigid. It will be necessary to occasionally retighten all of the bunk hardware.