

### TOOLS NEEDED:



RUBBER MALLET



PHILLIPS  
SCREWDRIVER

### WHAT IS INCLUDED:



4 SCREWS (F)



FOOT REST  
SPACER (D)



FOOT REST  
TIGHTENER (E)

MAIN SUPPORT (A)



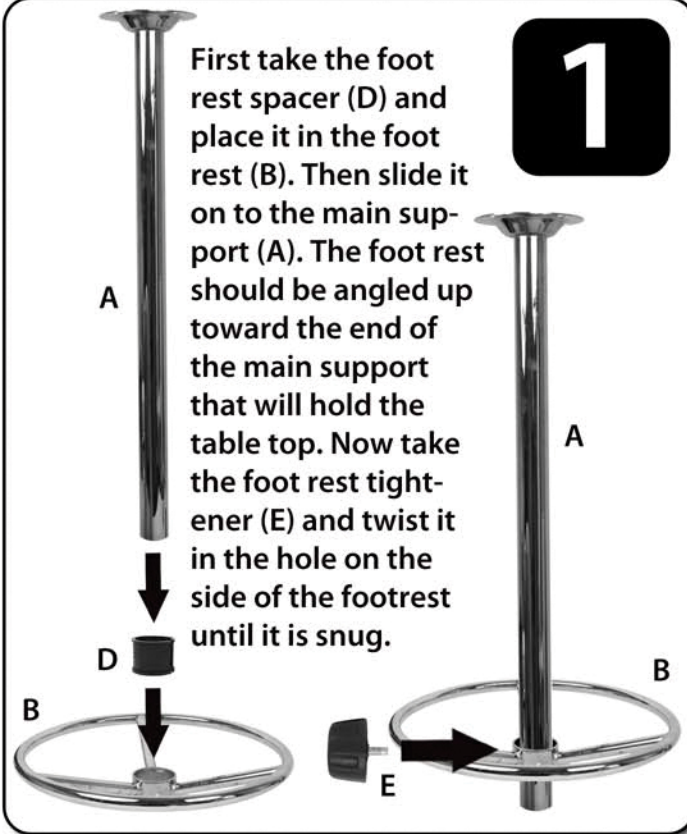
FOOT REST (B)



BASE (C)

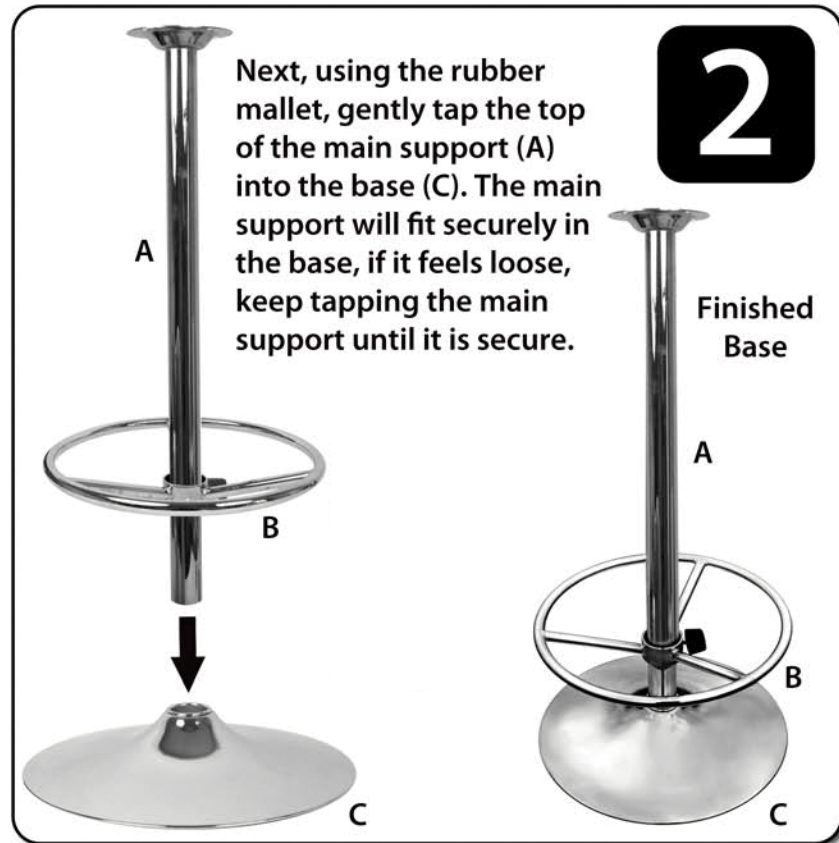


TABLE TOP (G)



**1**

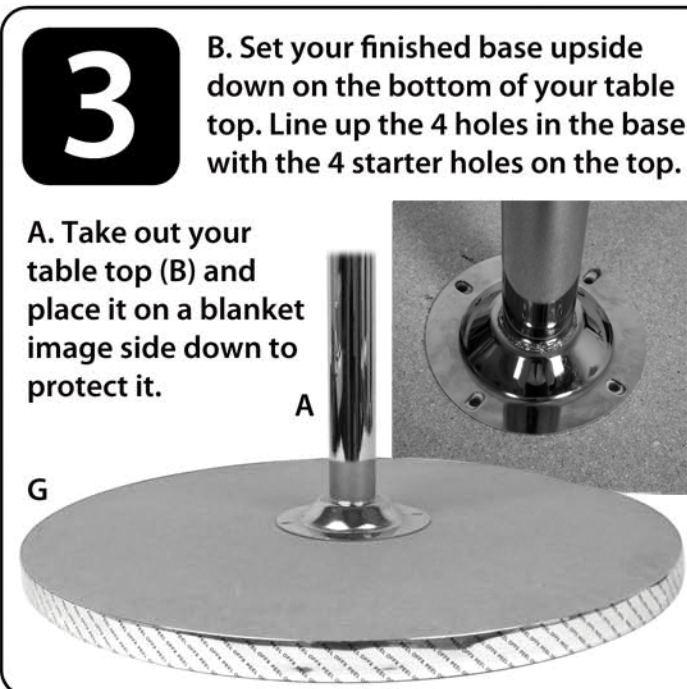
First take the foot rest spacer (D) and place it in the foot rest (B). Then slide it on to the main support (A). The foot rest should be angled up toward the end of the main support that will hold the table top. Now take the foot rest tightener (E) and twist it in the hole on the side of the footrest until it is snug.



**2**

Next, using the rubber mallet, gently tap the top of the main support (A) into the base (C). The main support will fit securely in the base, if it feels loose, keep tapping the main support until it is secure.

Finished  
Base



**3**

B. Set your finished base upside down on the bottom of your table top. Line up the 4 holes in the base with the 4 starter holes on the top.

A. Take out your table top (B) and place it on a blanket image side down to protect it.

C. Using a Phillips screwdriver (or drill), screw the 4 screws (F) through the main support (A) holes into the back side of the table base (G). Once screwed in all the way, flip table over and it is ready for use!



Finished  
Table