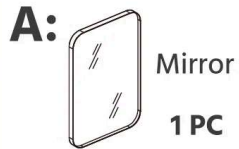
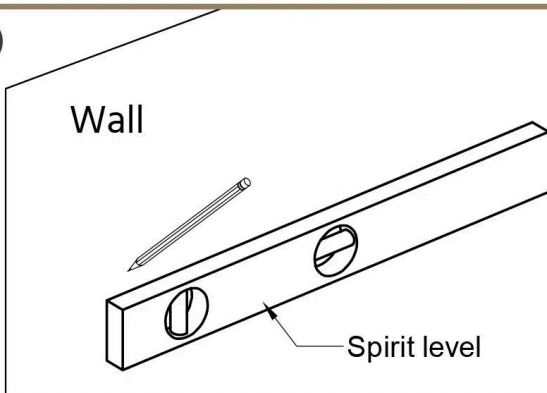


INSTALLATION GUIDE

HARDWARE LIST

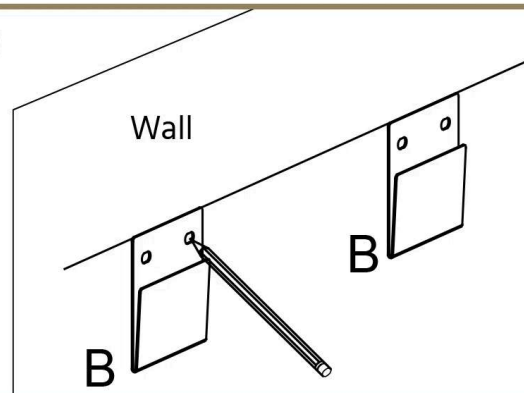


1



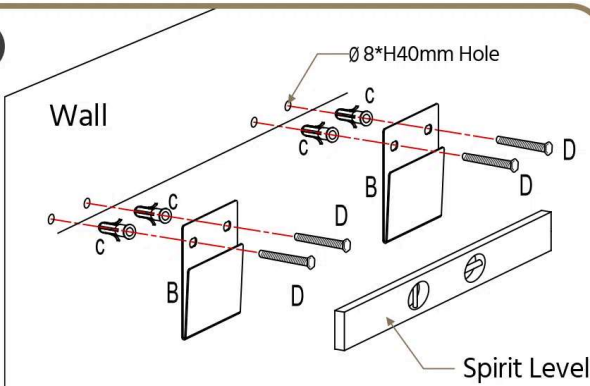
Use a spirit level to mark a horizontal line on the wall at the desired mounting height.

2



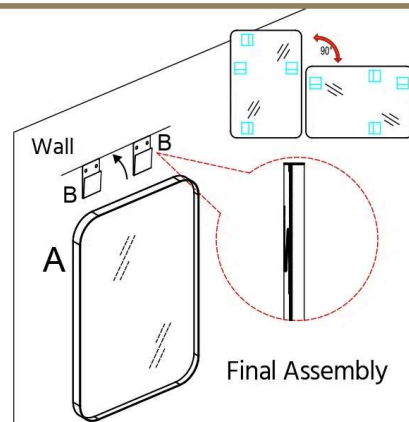
Hold the mounting brackets (B) against the wall and mark the screw hole positions.

3



Use anchors (C) and screws (D) to secure the mounting brackets (B) to the wall.

4



Hang the mirror (A) onto the mounting brackets (B) to complete installation