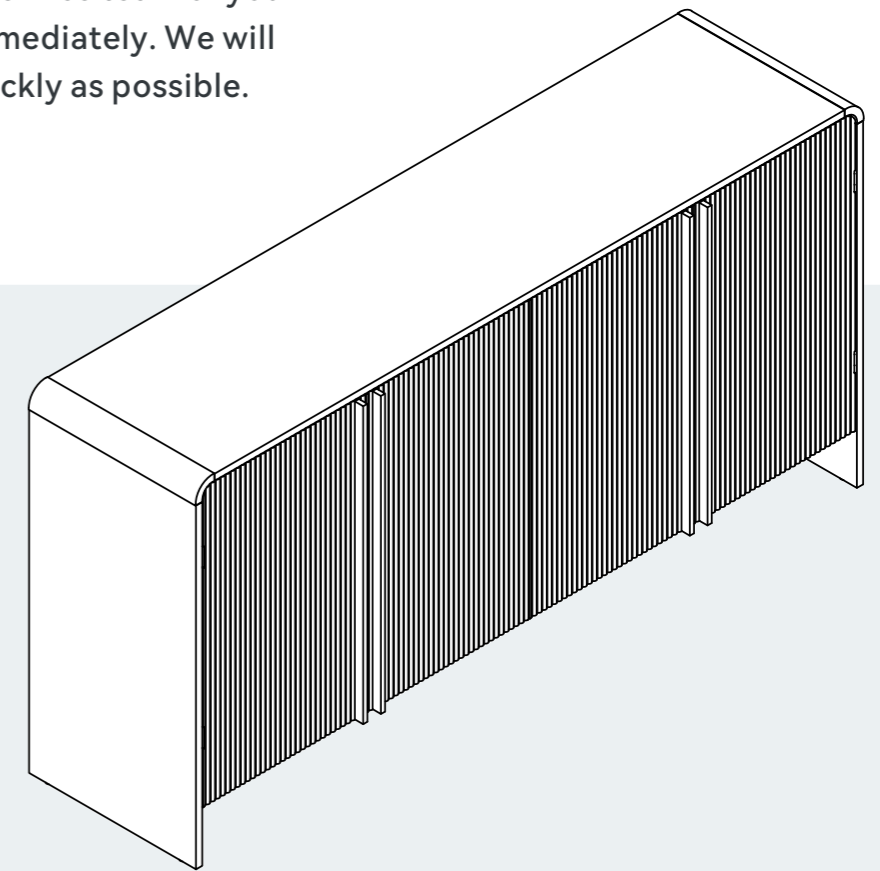


Sideboard

Assembly Instruction – Please keep properly for future reference.

If you find any missing boxes, damaged parts, or accessory shortages, please contact the customer service team of your purchasing channel immediately. We will resolve the issue as quickly as possible.



In order to receive assistance more quickly, please provide

THE FOLLOWING INFORMATION:

- Order number
- Purchase platform
- Purchase date
- Detailed description of the issue along with photos (if applicable)

Important – Please read these instructions carefully before starting the installation.

V1.0

EN

| Sideboard

Before Assembly



Thank you for choosing our product!

To ensure a smooth installation process, please read this guide carefully to familiarize yourself with the required tools, materials, and installation steps.

Follow the relevant sections to avoid any damage caused by improper installation, and make sure to review all operation and safety guidelines for correct installation procedures.

Packaging Notice:

If you find any missing boxes, damaged parts, or accessory shortages, please contact the customer service team of your purchasing channel immediately. We will resolve the issue as quickly as possible.

Safety and Care Advice



Important :

Please read these instructions fully before starting assembly.

- Check you have all the components and tools listed on the following pages.
- Remove all fittings from the plastic bags and separate them into their groups.
- Keep children and animals away from the work area, small parts could choke if swallowed.
- Make sure you have enough space to layout the parts before starting.
- During assembly do not stand or put weight on the product, this could cause damage.
- Assemble the item as close to its final position (in the same room) as possible.
- Assemble on a soft level surface to avoid damaging the unit or your floor.
- Parts of the assembly will be easier with 2 people.



- To reduce the likelihood of damaging your product please ensure that your power drill is set on a low torque setting.

Care and Maintenance

- Only clean using a damp cloth and mild detergent, do not use bleach or abrasive cleaners.
- From time to time check that there are no loose screws on this unit.
- This product should not be discarded with household waste. Take to your local authority waste disposal center.

Handy Hints

- Assemble all parts and bolts loosely during assembly, only once the product is complete should you fully tighten the bolts.
- Regularly check and ensure that all bolts and fittings are tightened properly.

Warning

In order to help prevent overturning, please follow these instructions.

- Use the anti tip strap or wall fixing method provided (if applicable).
- Do not allow children to climb or hang on the furniture.
- Do not open more than one drawer at a time.
- Do not place heavy items in the top drawers.
- Do not place heavy items on top of the furniture, unless the furniture has been designed for this purpose.
- Please note that only the anti tip strap is provided. You will need to provide wall plugs and screws applicable for your wall type.

Customer Service Guide



Thank you for choosing our product! We are committed to providing you with excellent service. If you find any missing parts, damaged packaging, or product damage after receiving all packages, please follow the steps below to quickly contact our customer service team. We will do our best to resolve your issue.

1. Missing Parts

Verify Parts:

1. Refer to the “Parts List” in the manual to verify the name, specifications, and quantity of the missing parts.
2. Take a clear photo of the parts list and mark the missing parts with detailed information, e.g., “Missing 5 pieces of M6×30mm screws.”

Contact Us:

By Email:

Send an email with the subject line “Missing Parts Issue.” Include the following in the email:

- A description of the missing parts and a photo of the parts list.
- Order details (order number, purchase platform, purchase date).

2. Product or Packaging Damage

If it affects normal use:

Steps:

1. Take clear photos or videos showing the damaged parts and the extent of the damage (multi-angle shots are recommended).
2. Email the photos/videos along with order details with the subject line “Product Damage Issue.”

Resolution:

After verification, we will arrange for a replacement part, product exchange, or refund as quickly as possible.

If it does not affect normal use:

Steps:

1. Contact our customer service team.
2. Provide a description of the damage and include relevant photos or videos.

Resolution:

We will provide repair guidance or an appropriate compensation plan based on the specific situation.

Helpful Tips

To process your issue efficiently, please prepare the following information:

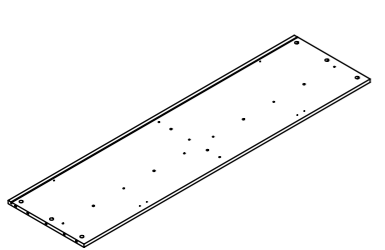
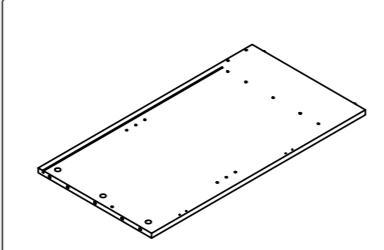
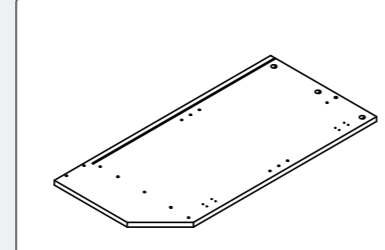
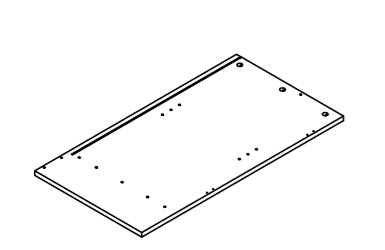
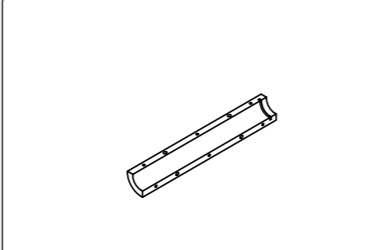
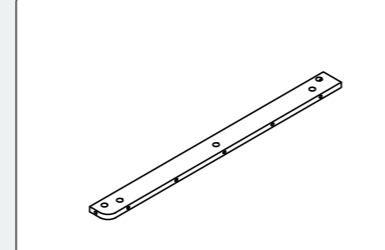
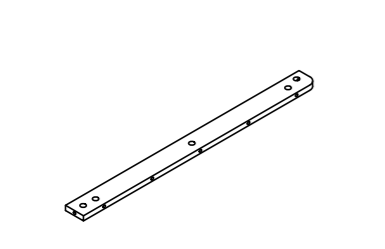
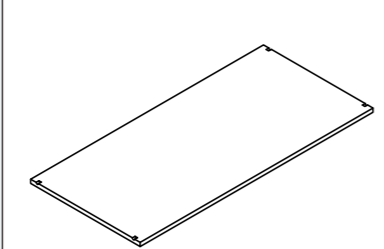
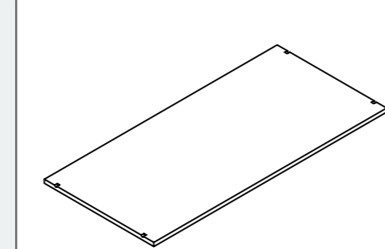
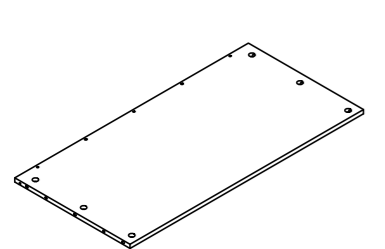
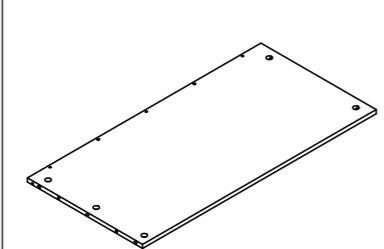
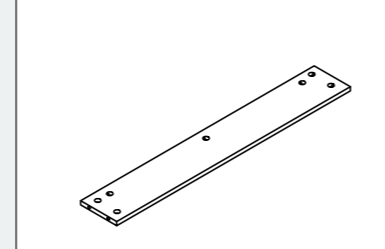
- Order details (order number, purchase platform, purchase date).
- Clear photos or videos.
- We are committed to providing quick and professional solutions, no matter the size of the issue, to ensure your satisfaction.

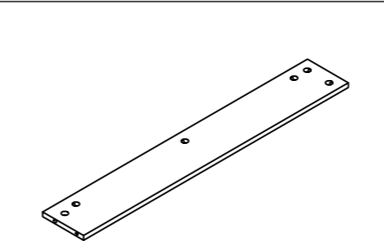
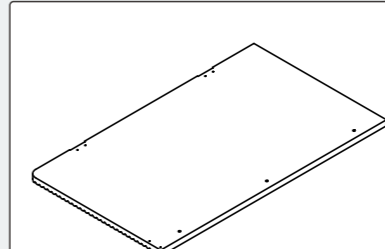
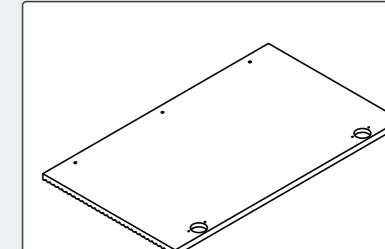
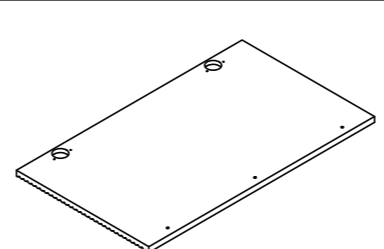
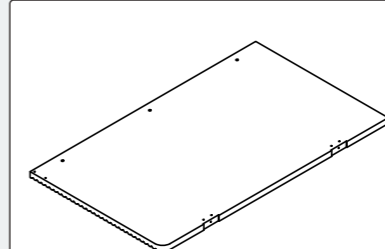
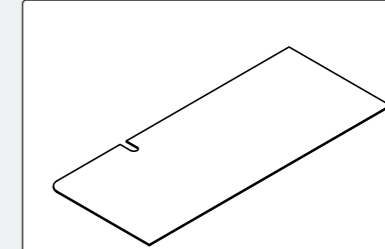
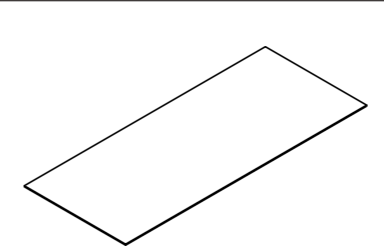
Thank you for your trust and support!
We hope you enjoy using our product!

Parts List - Panels



Please check you have all the panels listed below.

		
1 1510x400x15mm x1	2 755x400x15mm x1	3 784x384x15mm x1
		
4 755x400x15mm x1	5 400x64x27mm x2	6 776.5x60x15mm x1
		
7 776.5x60x15mm x1	8 774x364x12mm x1	9 774x364x12mm x1
		
10 776.5x383x12mm x1	11 776.5x383x12mm x1	12 776.5x120x12mm x1


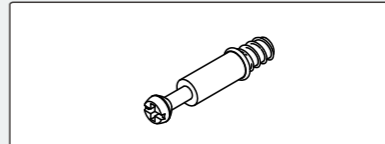
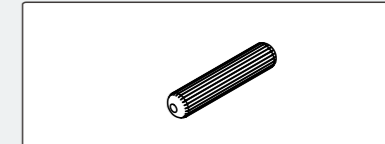
		
13 776.5x120x12mm x1	14 662x388.5x15mm x1	15 662x388.5x15mm x1
		
16 662x388.5x15mm x1	17 662x388.5x15mm x1	18 785.5x330x3mm x2
		
19 785.5x330x3mm x2		

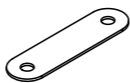
Parts List - Fittings



Please check you have all the fittings listed below.

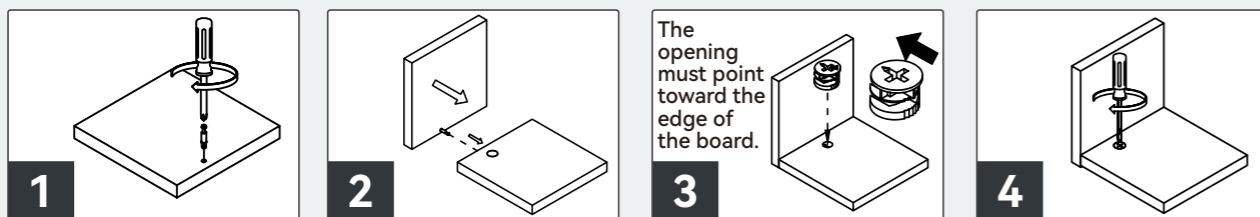
Note: The quantities below are the correct amount to complete the assembly. In some cases more fittings may be supplied are required.

		
A Ø15*9.5 x49+3	B Ø6.5*35 x49+3	C Ø8*30 x15+1

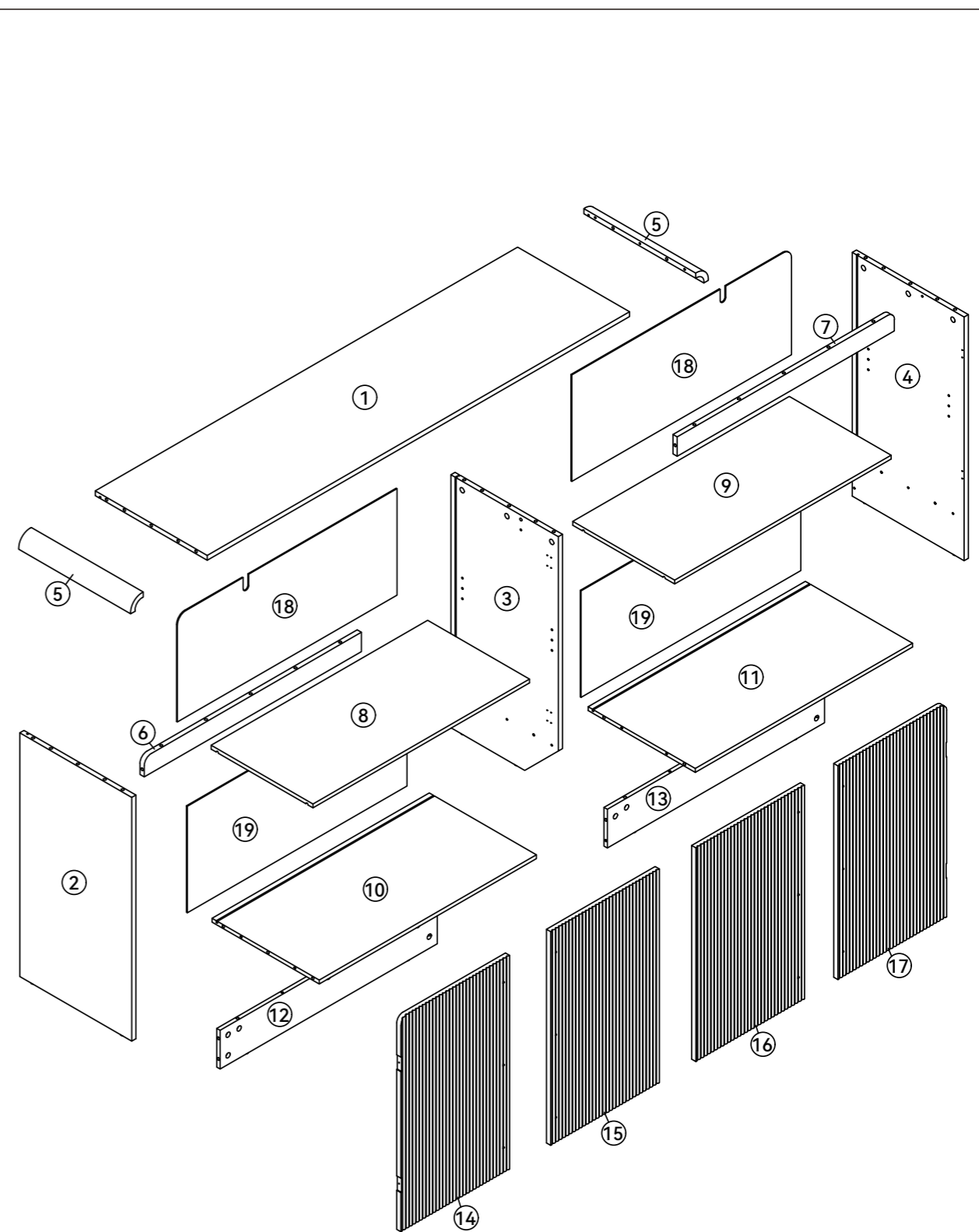
 D Ø6*30 x13+1	 E Ø3.5*12 x24+2	 F Ø3*14 x4+1
 G Ø3*12 x24+2	 H Ø4*25 x12+1	 I 45*12 x2
 J 45*15*14 x2	 K 41*18*16 x4	 L Ø35 x4
 M Ø5*16 x8	 N Ø3*14 x16+1	 O x2
 P 70*30*5 x1	 Q x2 set	 R 660*20*10 x4

Cam Lock Fastening System

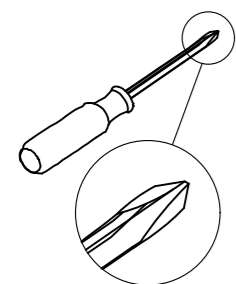
Insert the cam bolt into the hole first, then insert the cam lock and lock it.



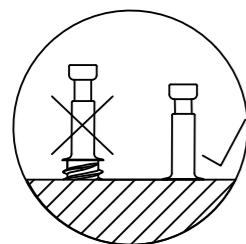
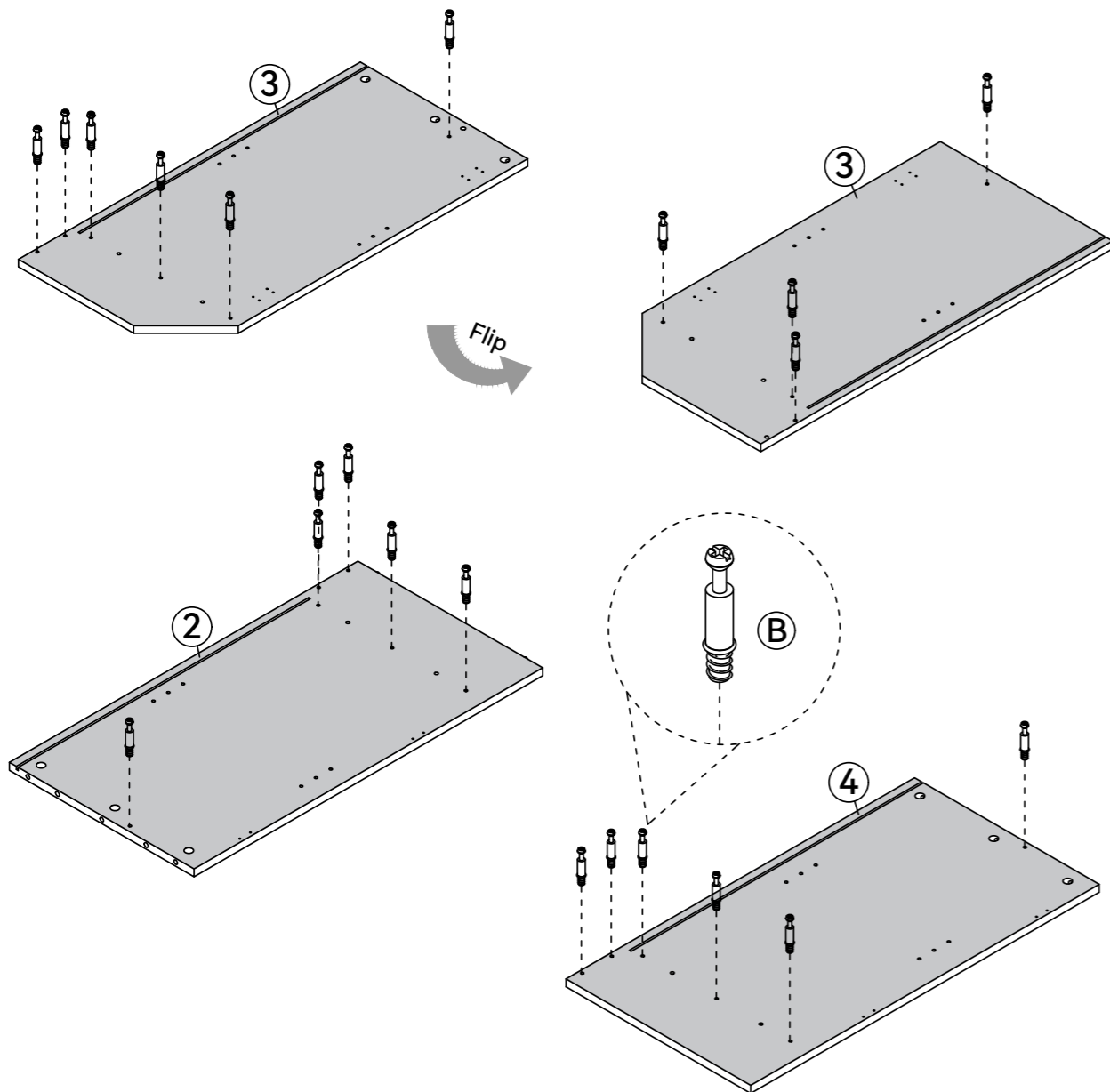
Assembly Instructions



Step 1

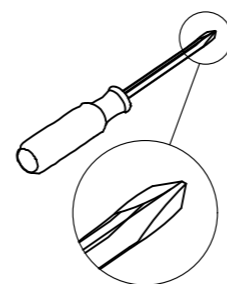


(B)	X22
6.5*35	

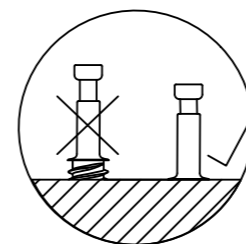
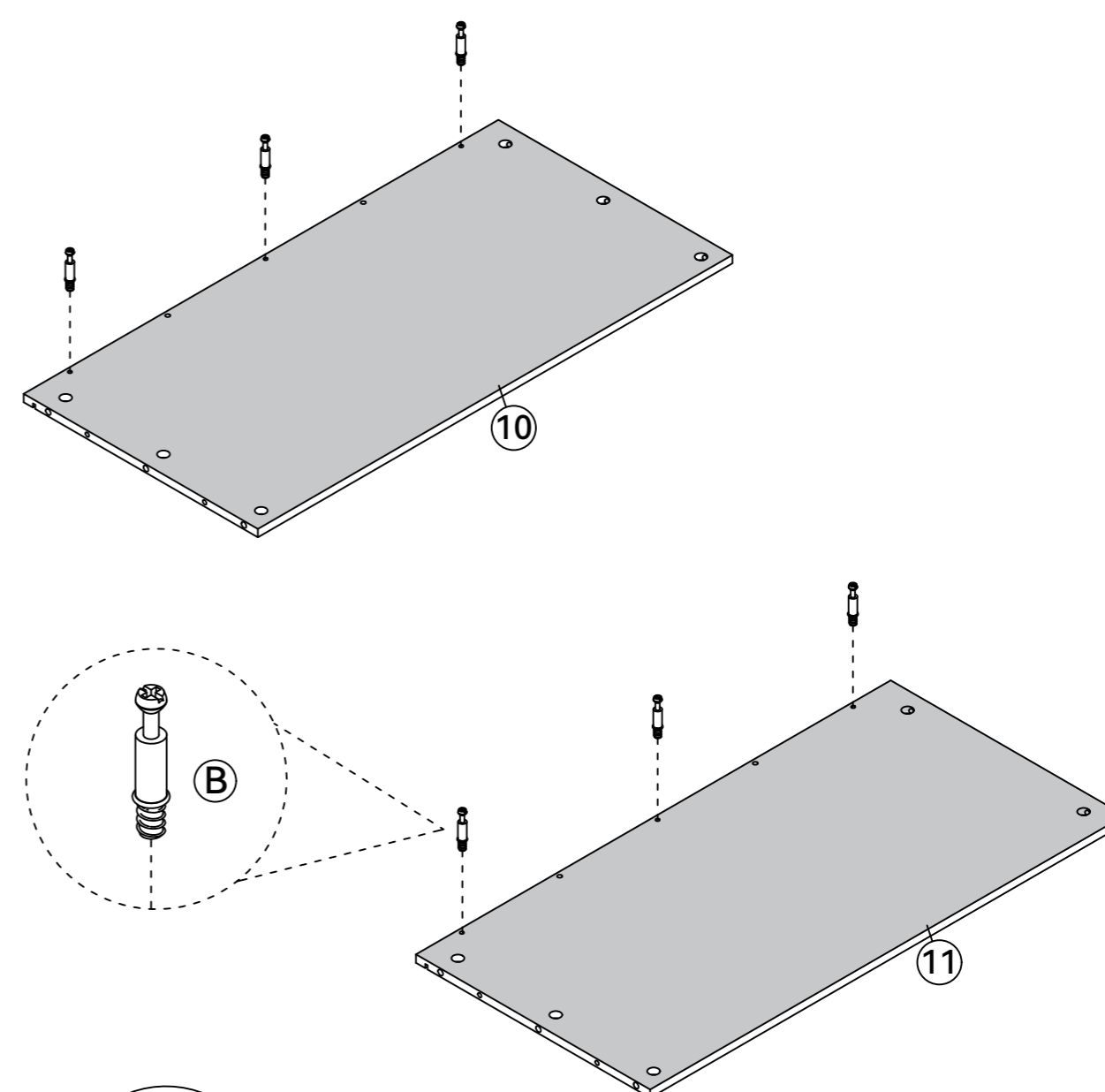


Install accessory (B) onto panels (2), (3), and (4).

Step 2

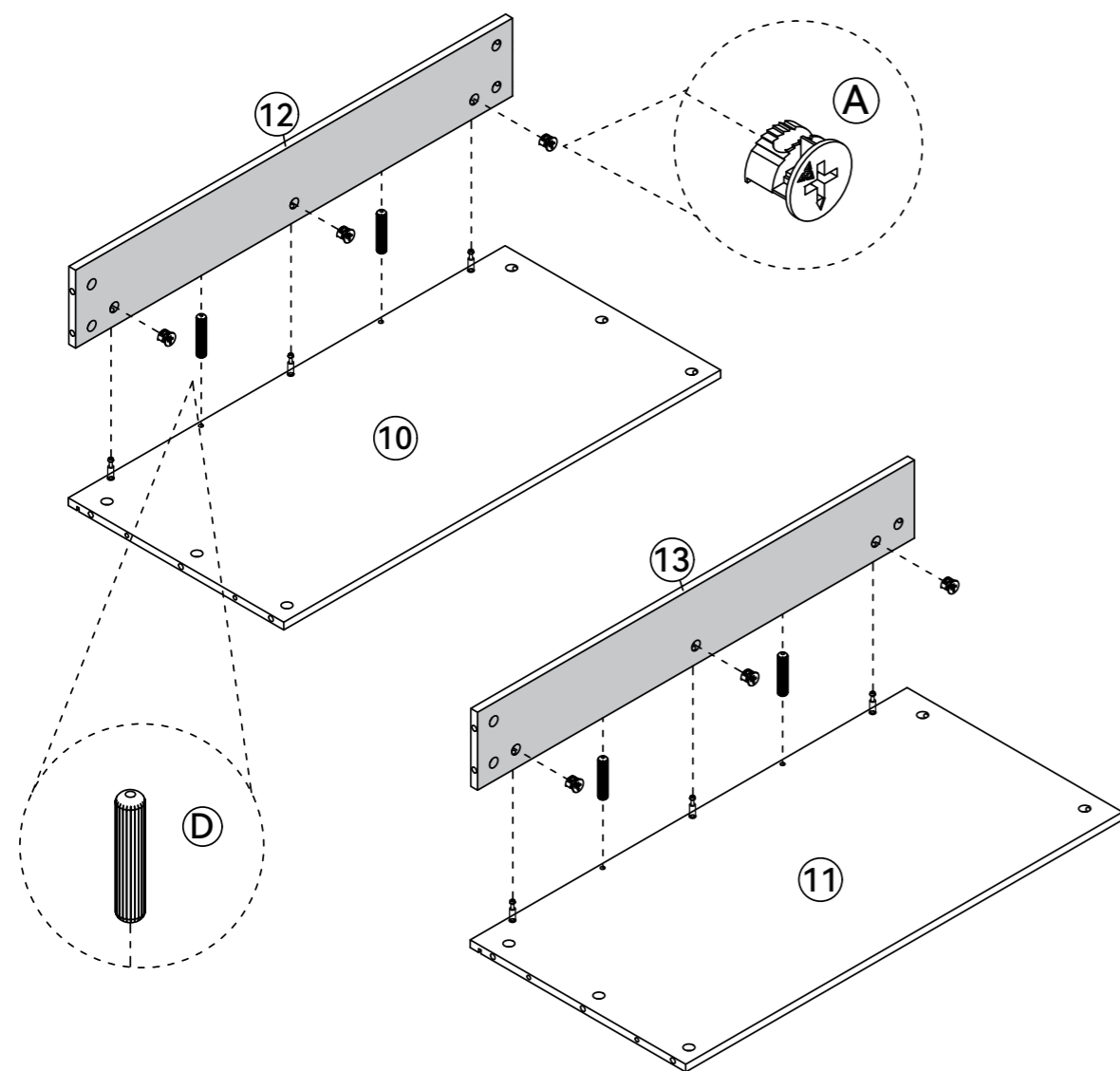
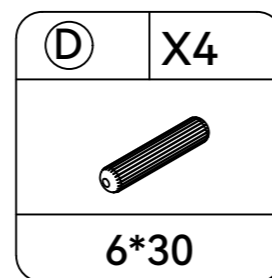
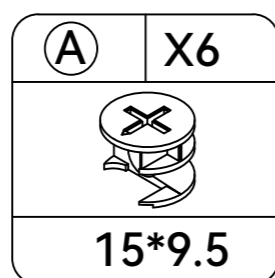
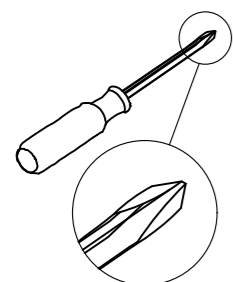


(B)	X6
6.5*35	



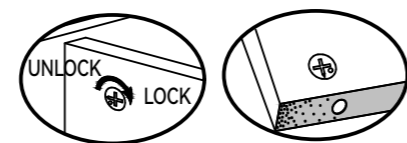
Install accessory (B) onto panels (10) and (11).

Step 3



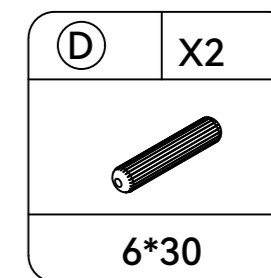
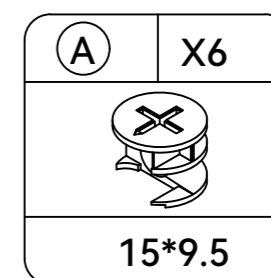
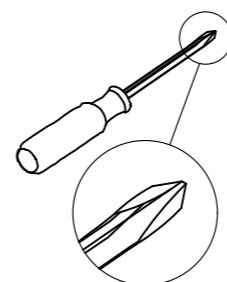
Place accessory (D) onto the holes of panels (10) and (11), connect with panels (12) and (13), then secure with accessory (A).

Insert the cam bolt into the hole first, then insert the cam lock and lock it.

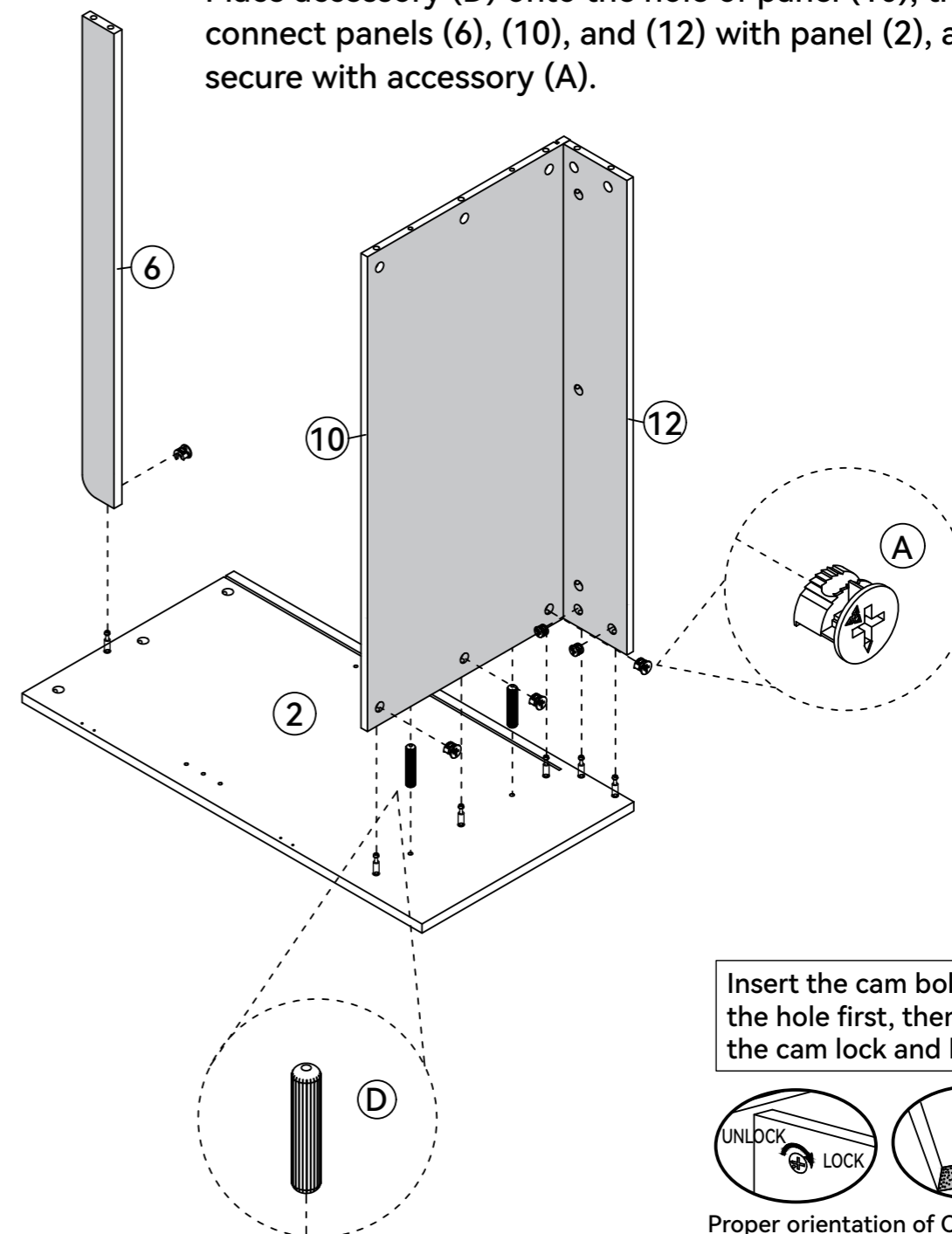


Proper orientation of CAM LOCK

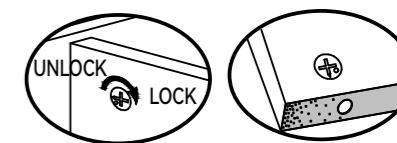
Step 4



Place accessory (D) onto the hole of panel (10), then connect panels (6), (10), and (12) with panel (2), and secure with accessory (A).

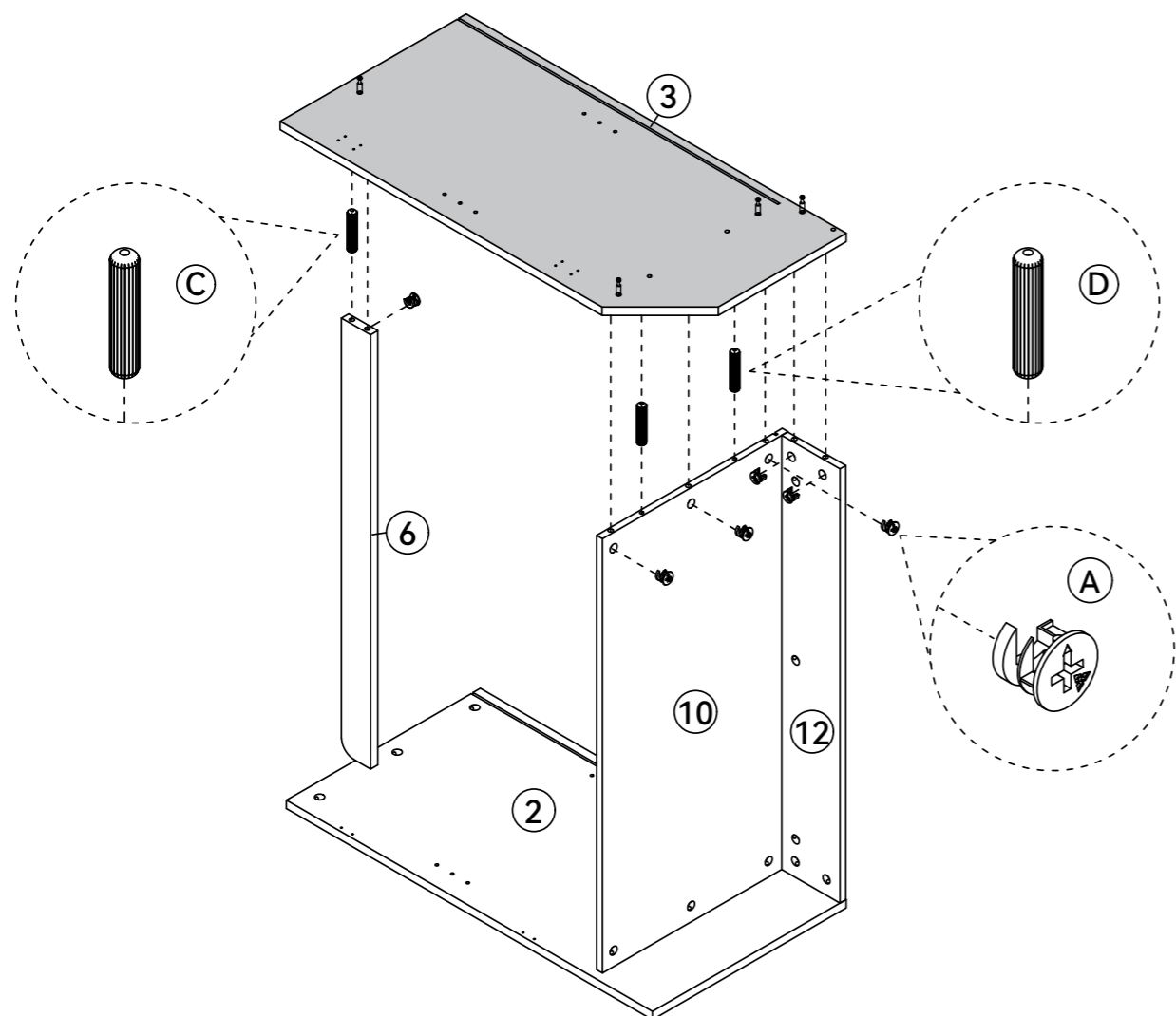
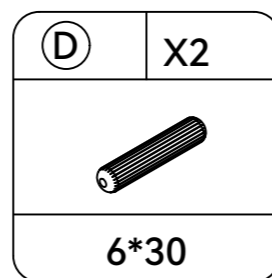
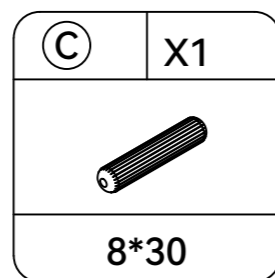
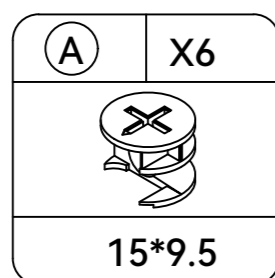
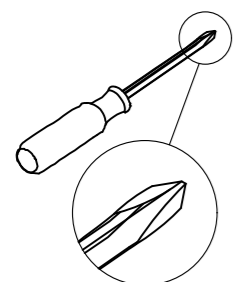


Insert the cam bolt into the hole first, then insert the cam lock and lock it.



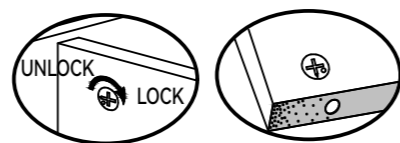
Proper orientation of CAM LOCK

Step 5



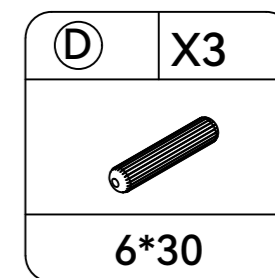
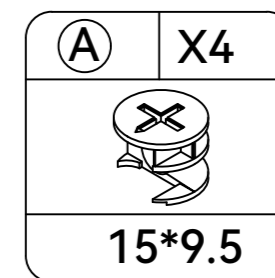
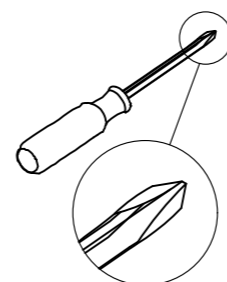
Place accessory (C) onto the hole of panel (6), place accessory (D) onto the hole of panel (10), then connect panels (6), (10), and (12) with panel (3), and secure with accessory (A).

Insert the cam bolt into the hole first, then insert the cam lock and lock it.

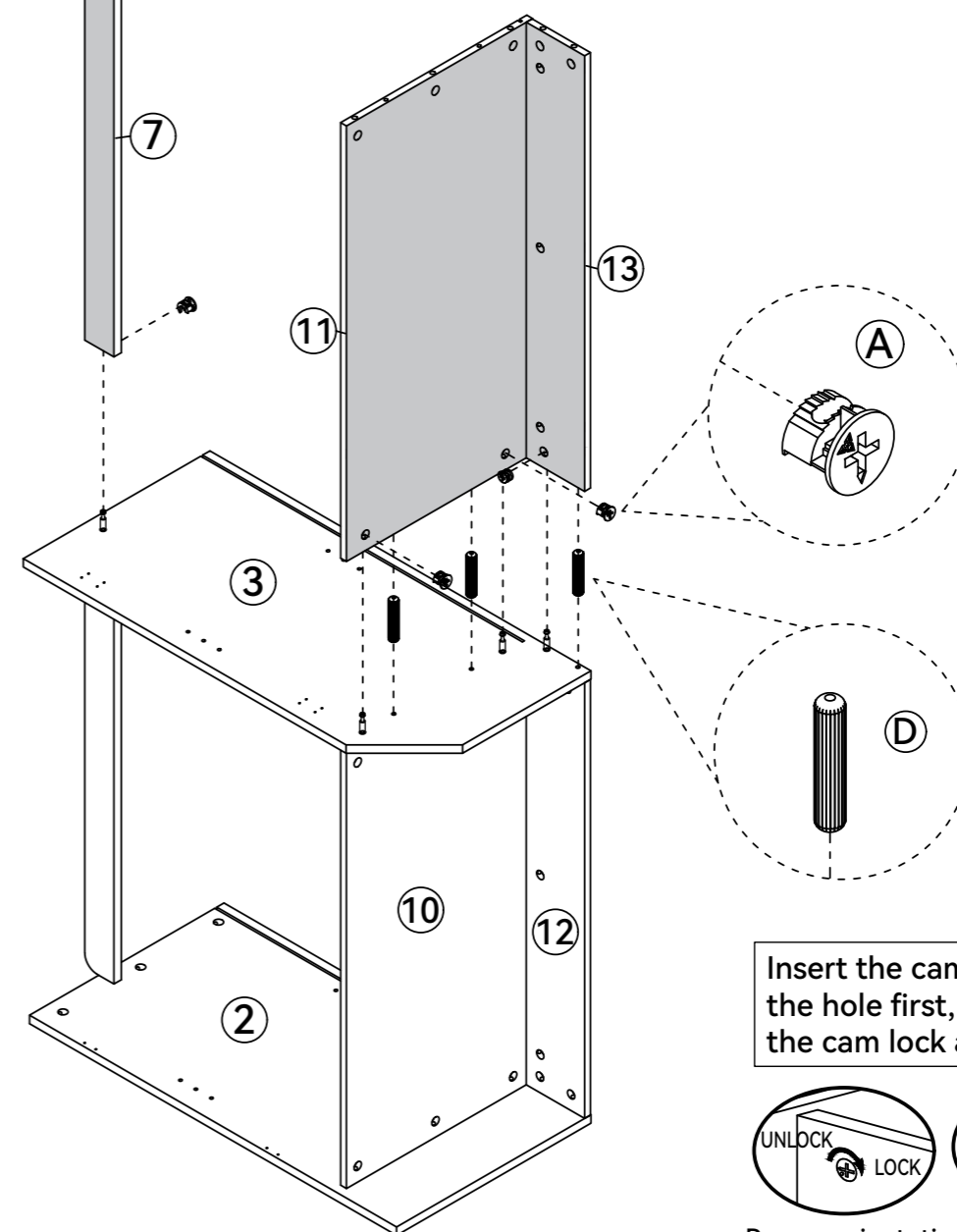


Proper orientation of CAM LOCK

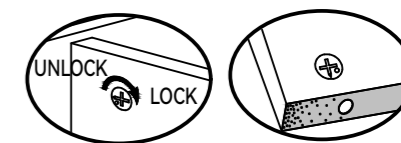
Step 6



Place accessory (D) onto the holes of panels (11) and (13), then connect panels (7), (11), and (13) with panel (3), and secure with accessory (A).

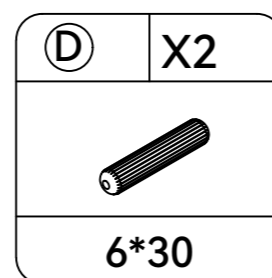
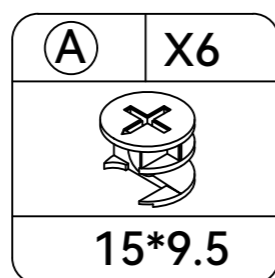
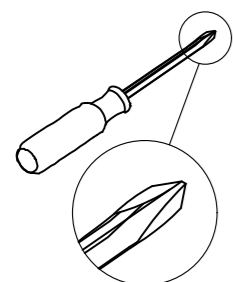


Insert the cam bolt into the hole first, then insert the cam lock and lock it.

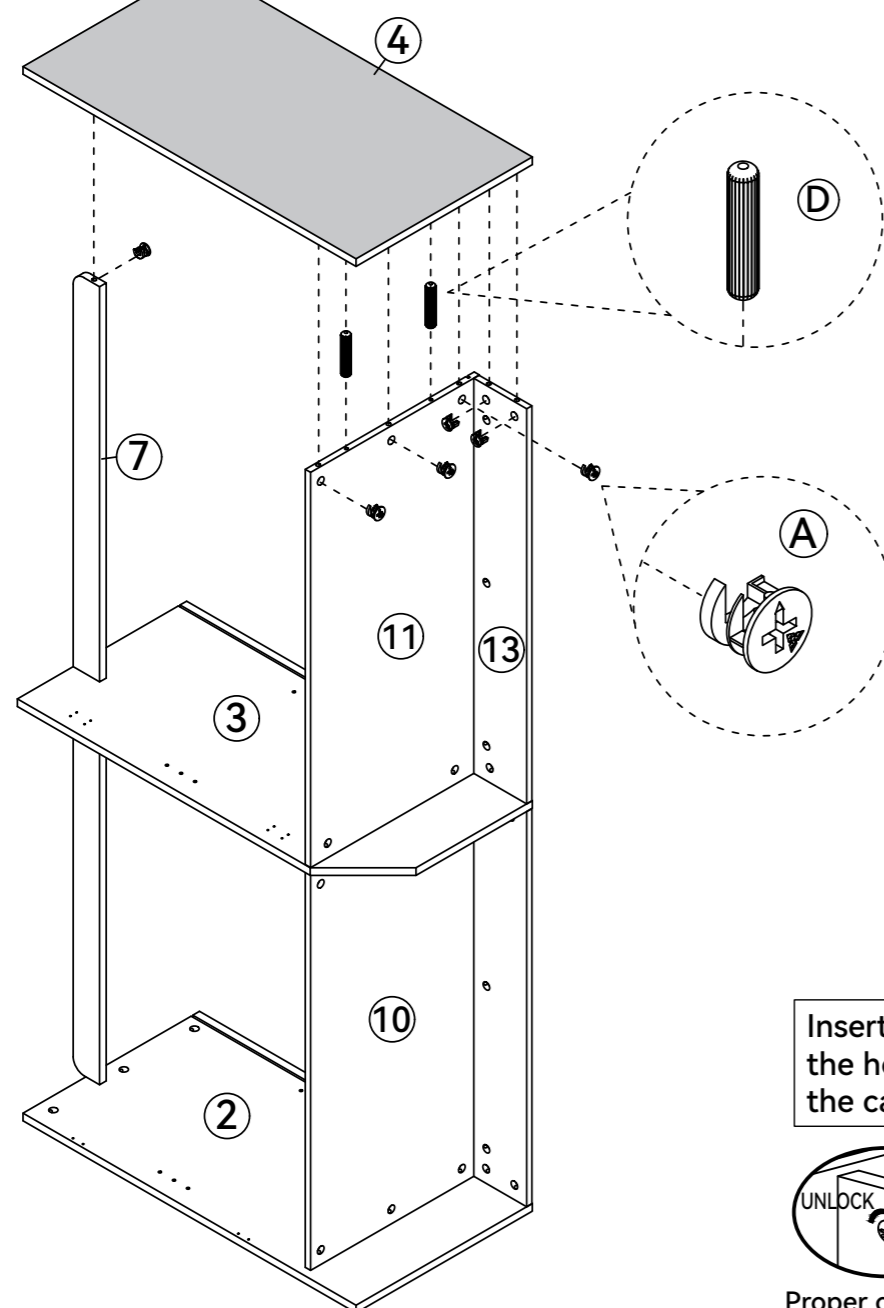


Proper orientation of CAM LOCK

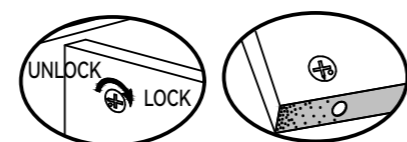
Step 7



Place accessory (D) onto the hole of panel (11), then connect panels (7), (11), and (13) with panel (4), and secure with accessory (A).

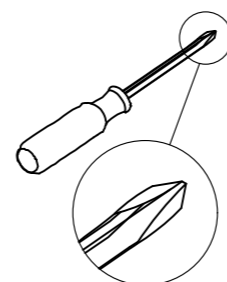


Insert the cam bolt into the hole first, then insert the cam lock and lock it.

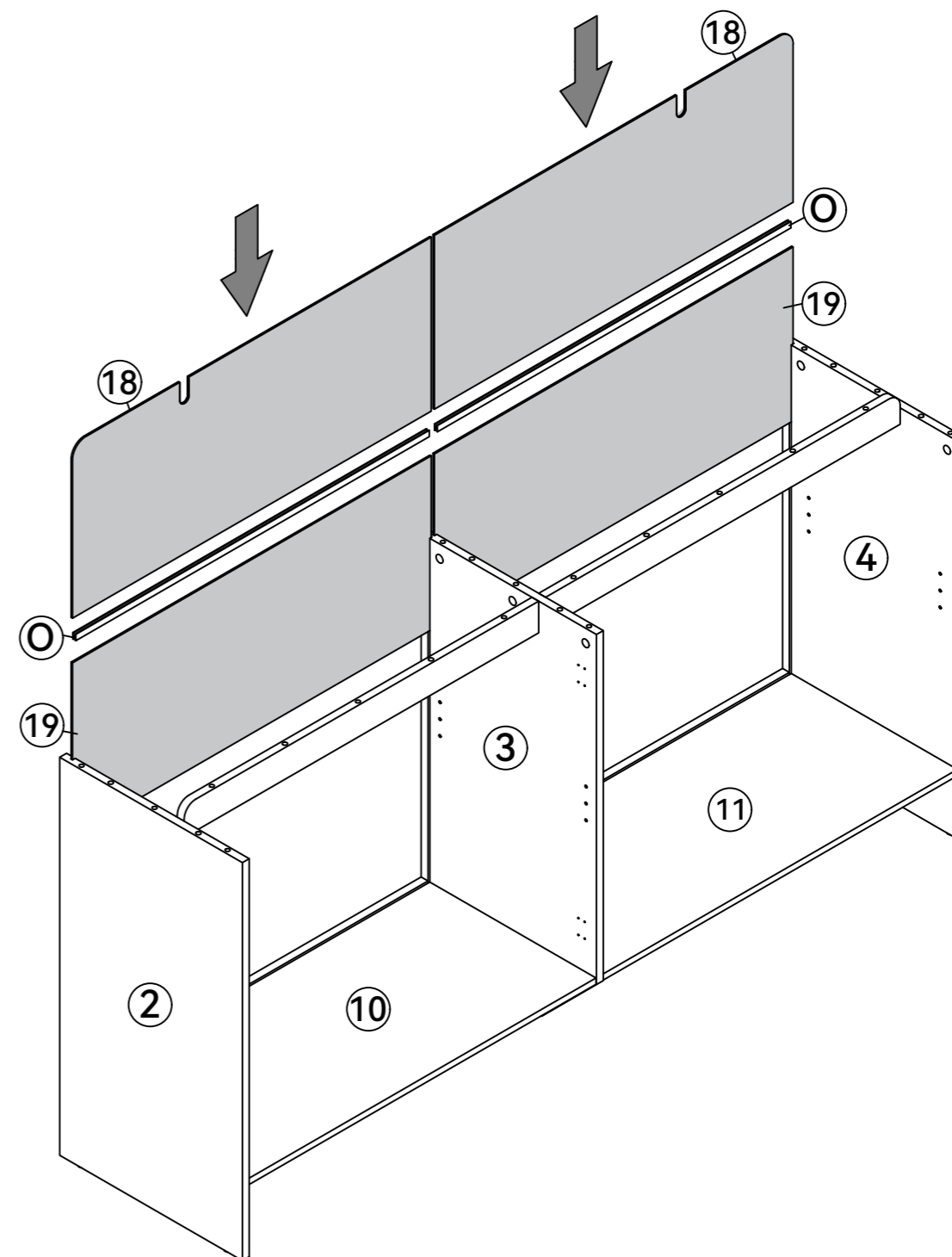
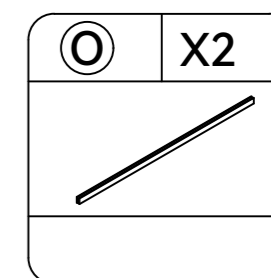


Proper orientation of CAM LOCK

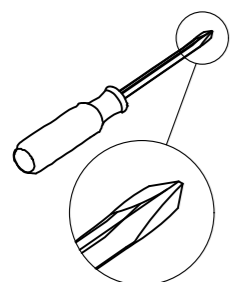
Step 8



As shown in the diagram, first align panel (19) with the groove and insert it, then use accessory (O) to lock panel (19) in place, and finally insert panel (18) into the groove.



Step 9



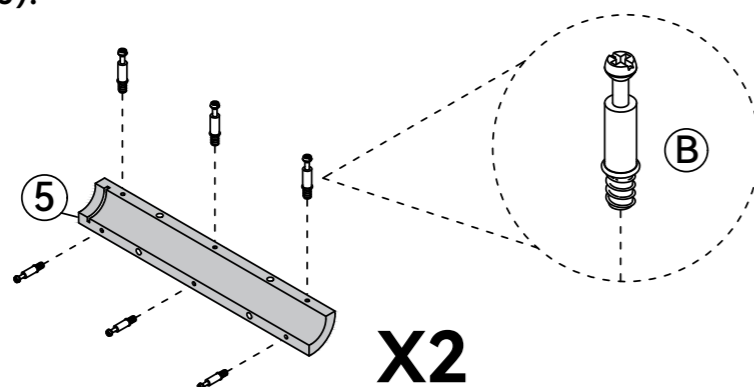
(B)	X21
6.5*35	

(F)	X4
3*14	

(J)	X2
45*15*14	

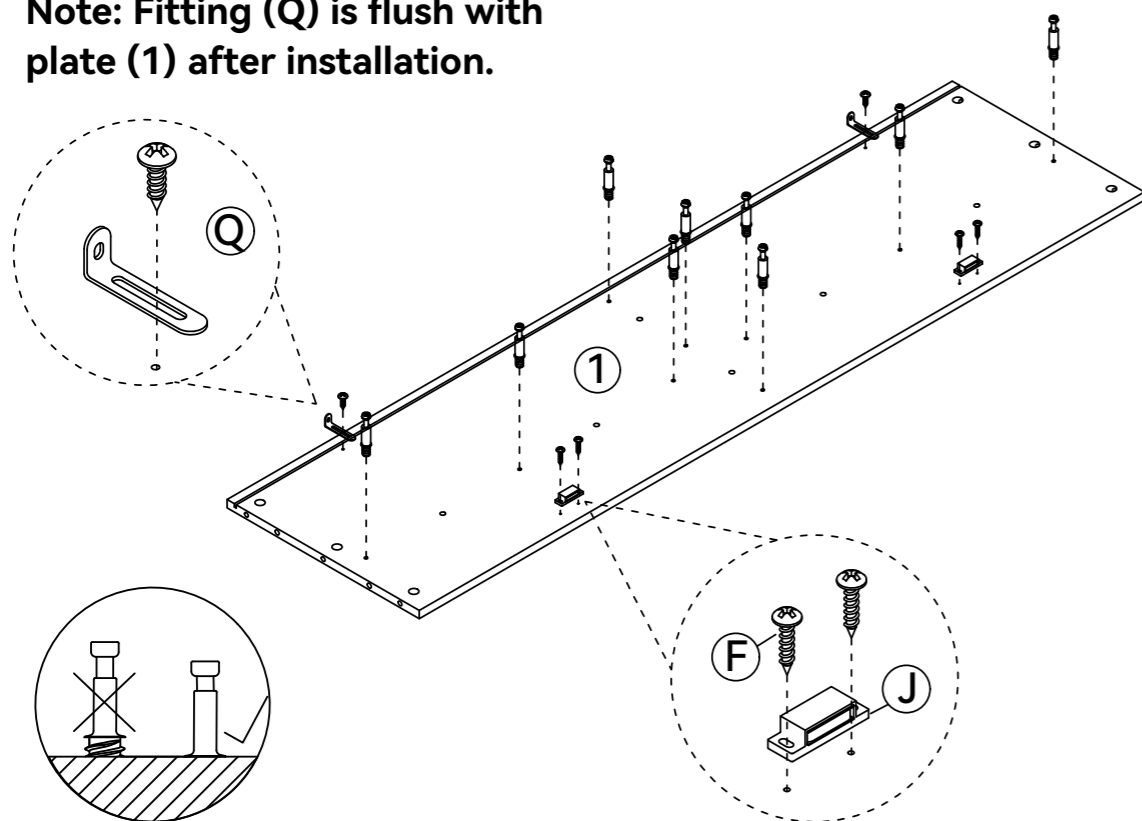
(Q)	X2set

First fix accessory (B) onto panels (1) and (5), then secure accessory (Q) onto panel (1) at the position shown in the diagram, and use screw (F) to fix accessory (J).

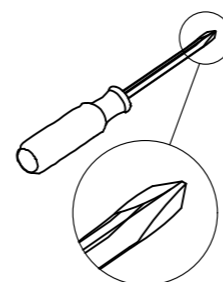


X2

Note: Fitting (Q) is flush with plate (1) after installation.



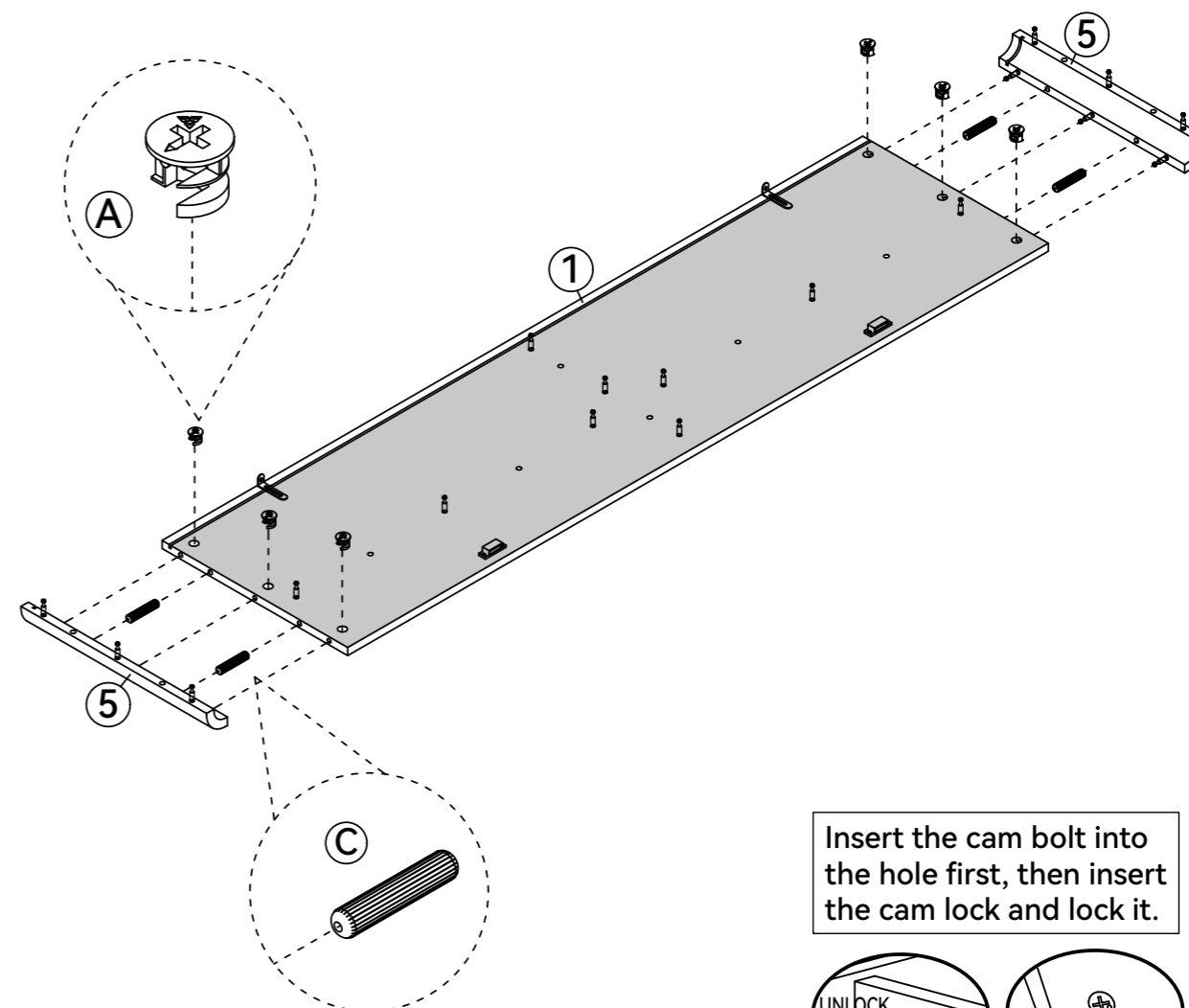
Step 10



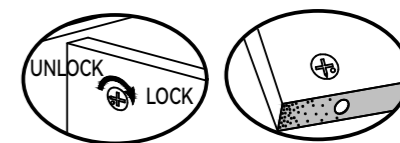
(A)	X6
15*9.5	

(C)	X4
8*30	

Place accessory (C) into the hole of panel (1), connect with panel (5), and secure with accessory (A).

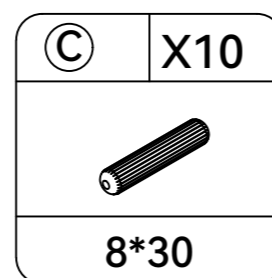
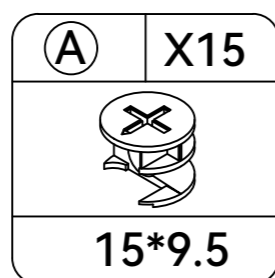
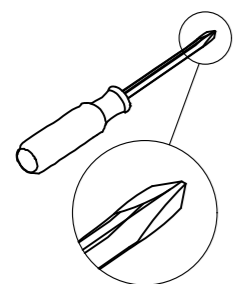


Insert the cam bolt into the hole first, then insert the cam lock and lock it.

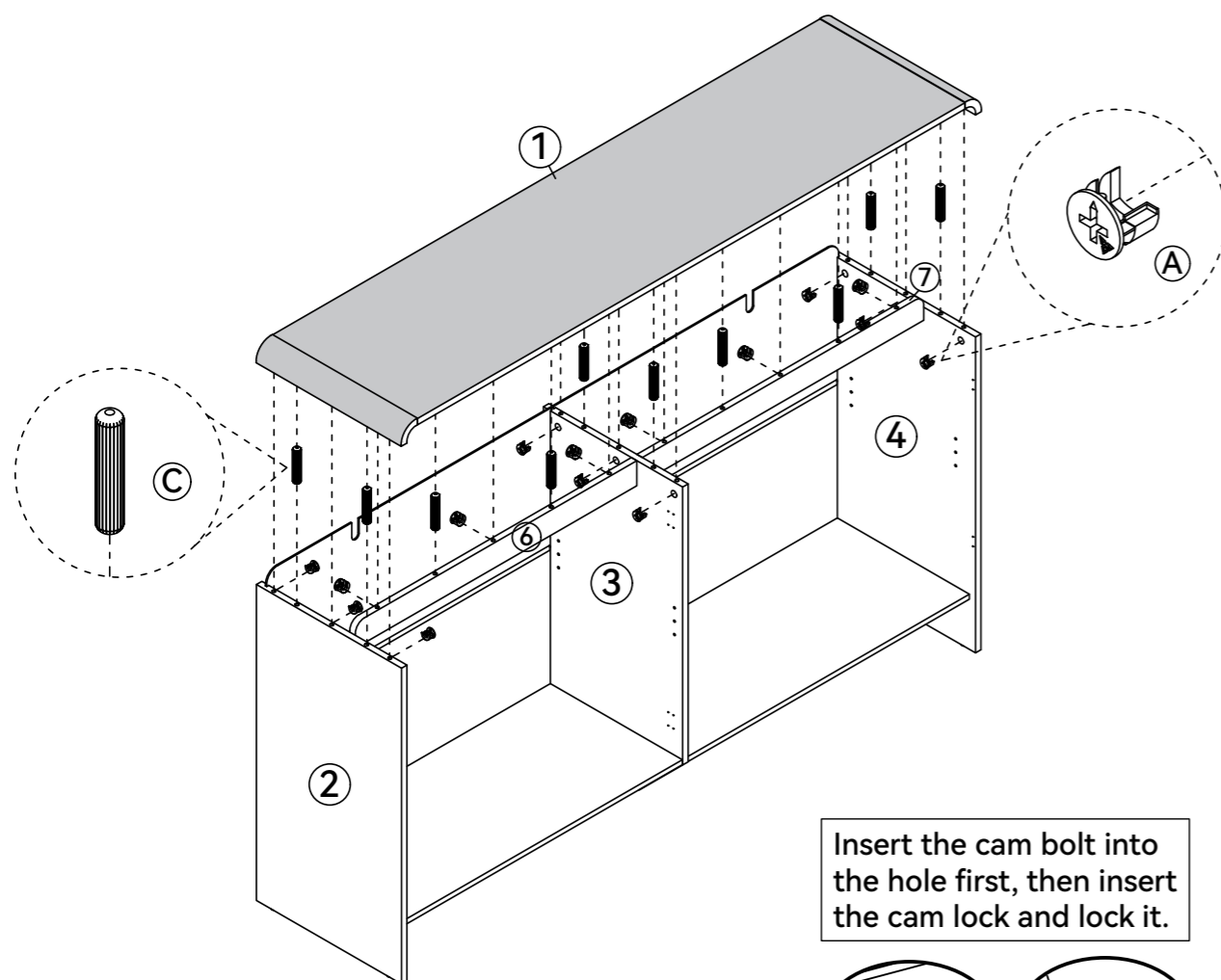


Proper orientation of CAM LOCK

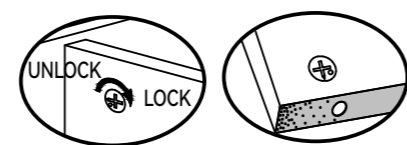
Step 11



Place accessory (C) onto the holes of panels (2), (3), (4), (6), and (7), connect with panel (1), and secure with accessory (A).

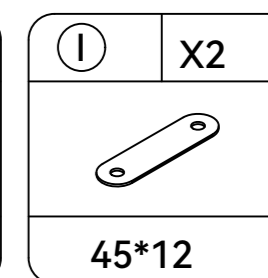
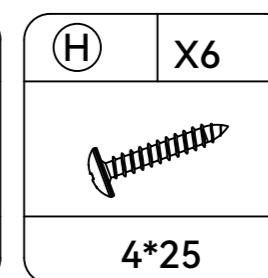
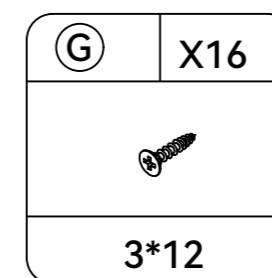
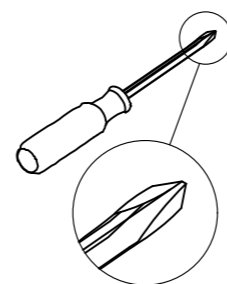


Insert the cam bolt into the hole first, then insert the cam lock and lock it.

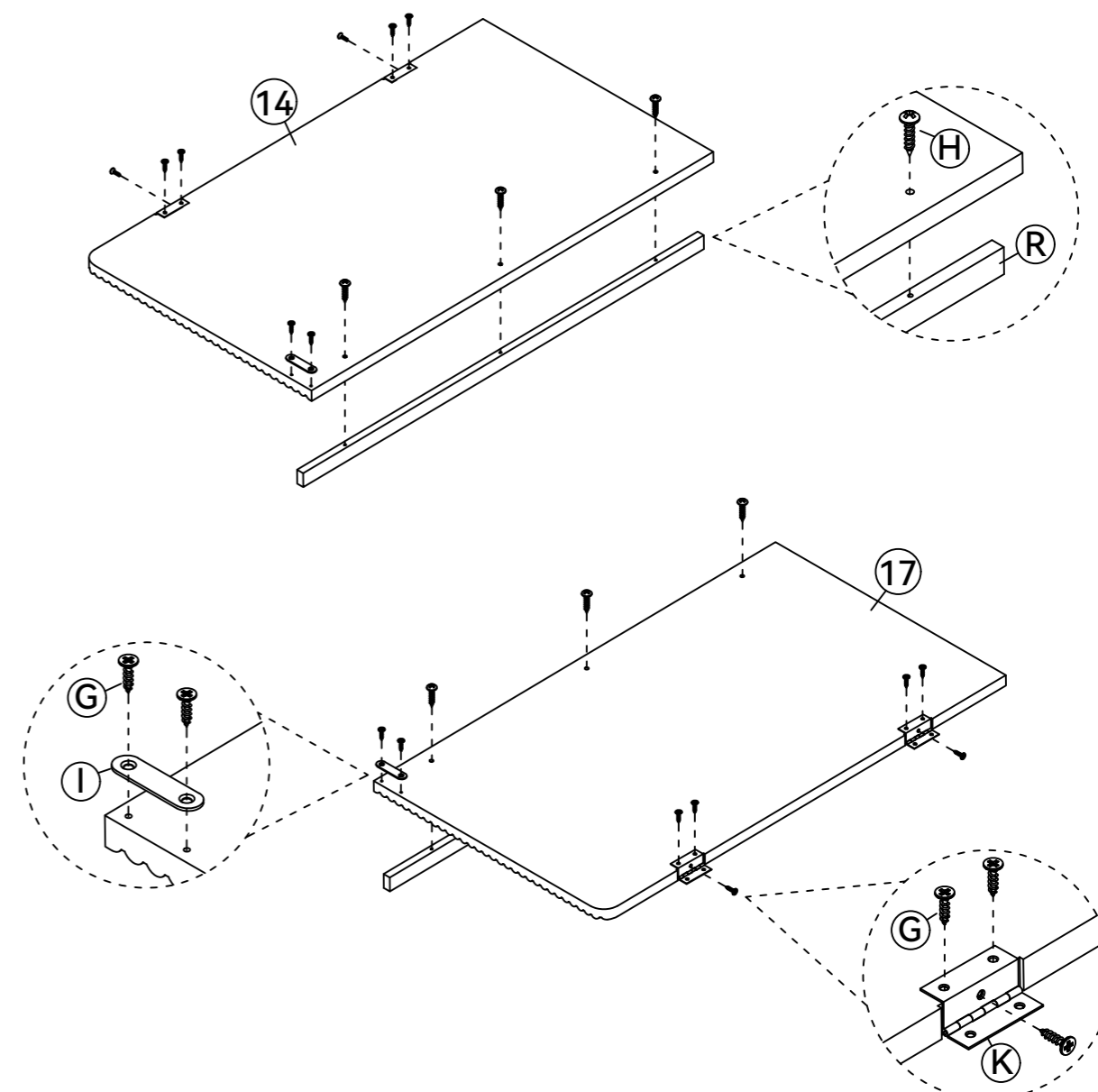
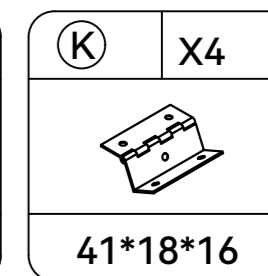
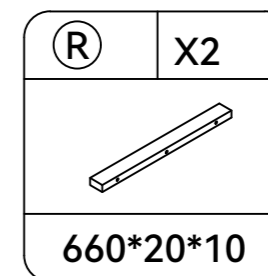


Proper orientation of CAM LOCK

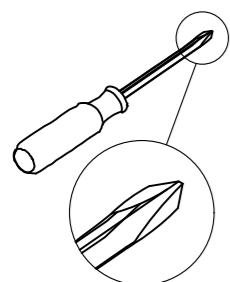
Step 12



Use screw (G) to secure accessories (I) and (K) onto panels (14) and (17), then use screw (H) to pass through panels (14) and (17) and connect to accessory (R).



Step 13



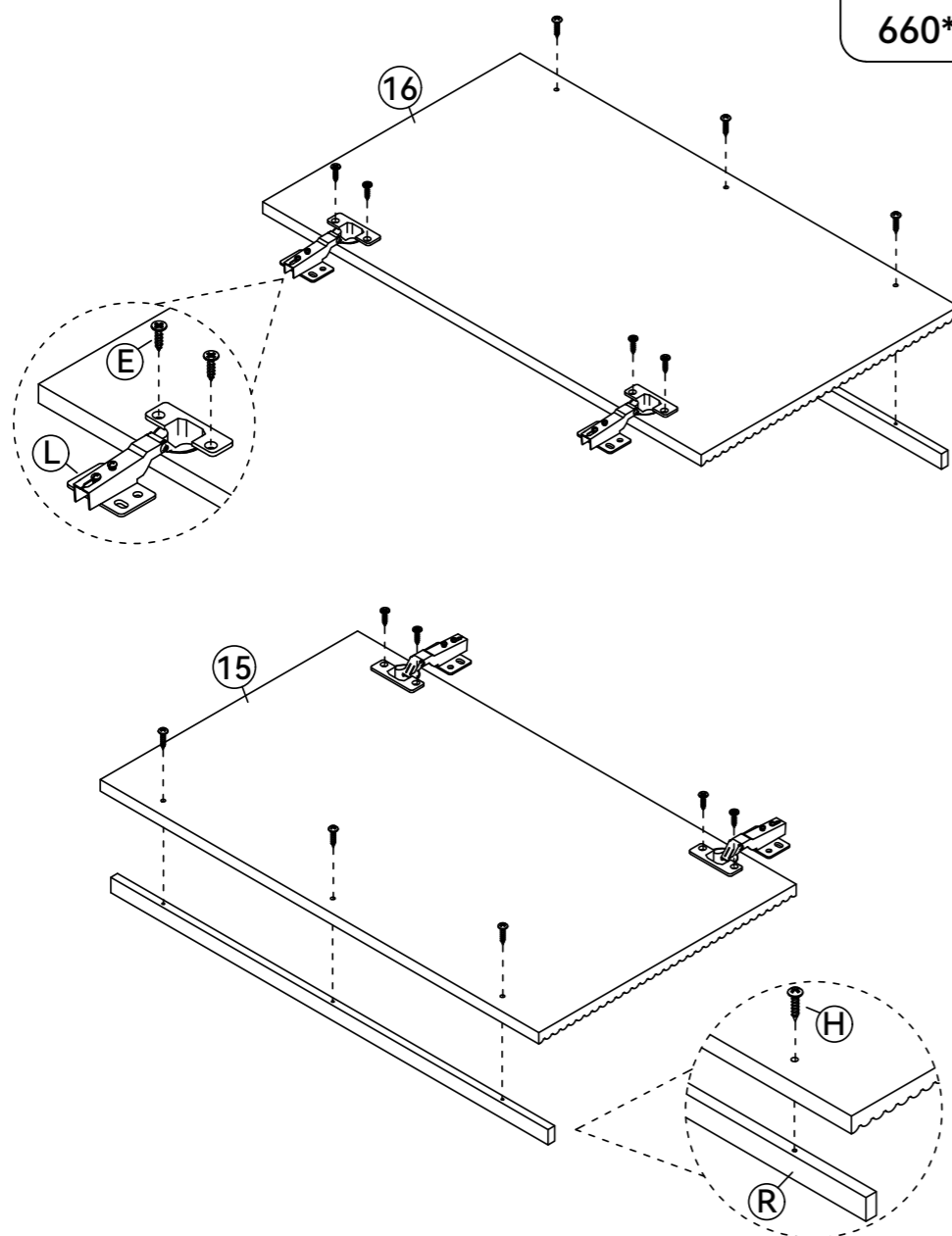
(E)	X8
3.5*12	

(H)	X6
4*25	

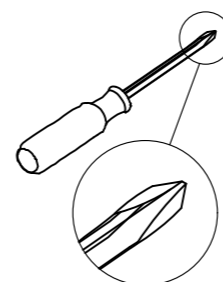
(L)	X4
35	

(R)	X2
660*20*10	

Use screw (E) to secure accessory (L) onto panels (15) and (16), then use screw (H) to pass through panels (15) and (16) and connect to accessory (R).

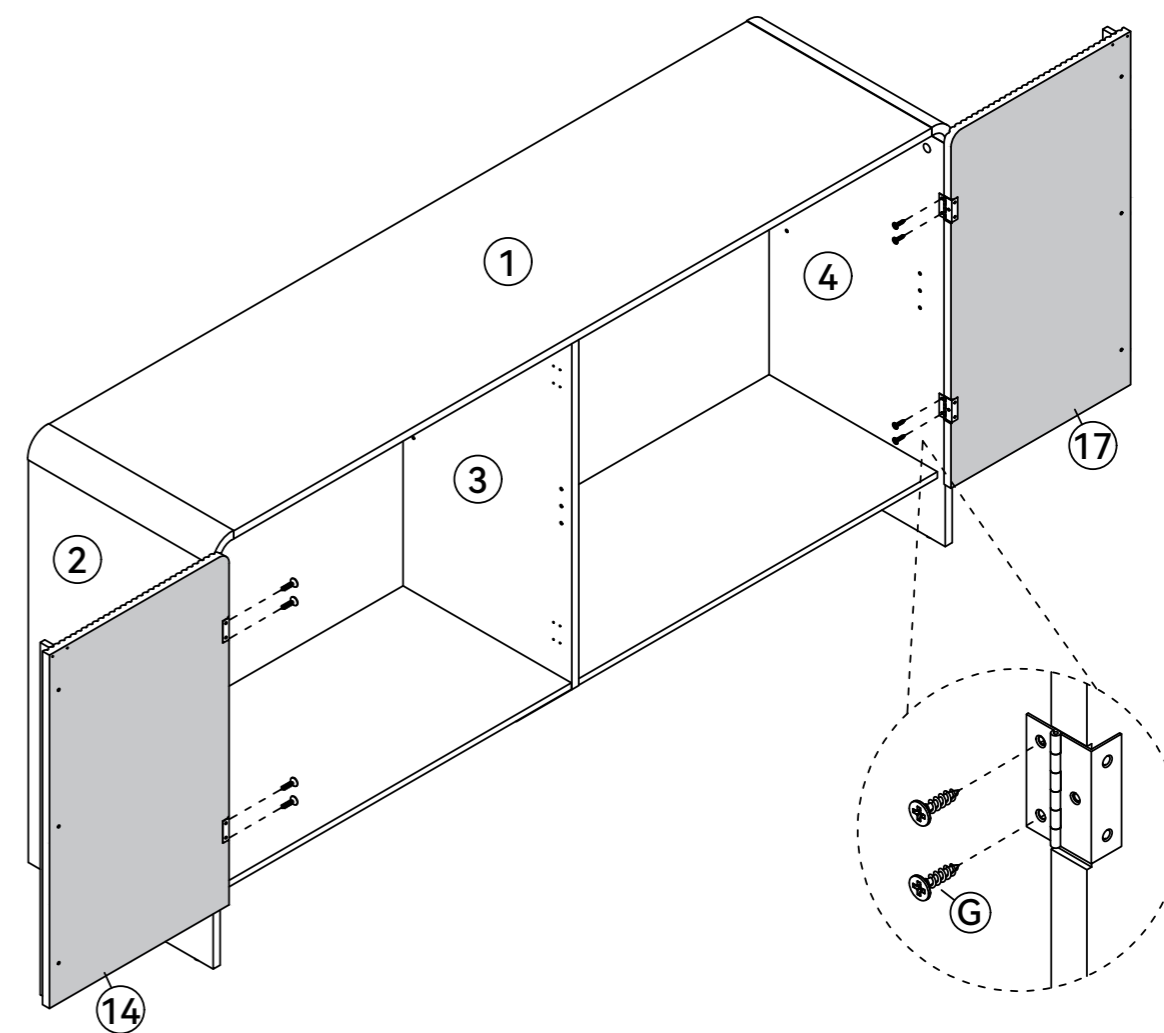


Step 14

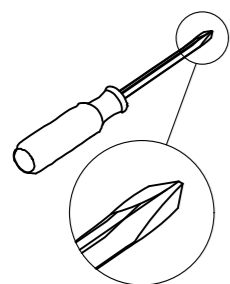


(G)	X8
3*12	

Use screw (G) to fix panels (14) and (17) onto panels (2) and (4), aligning with the holes.

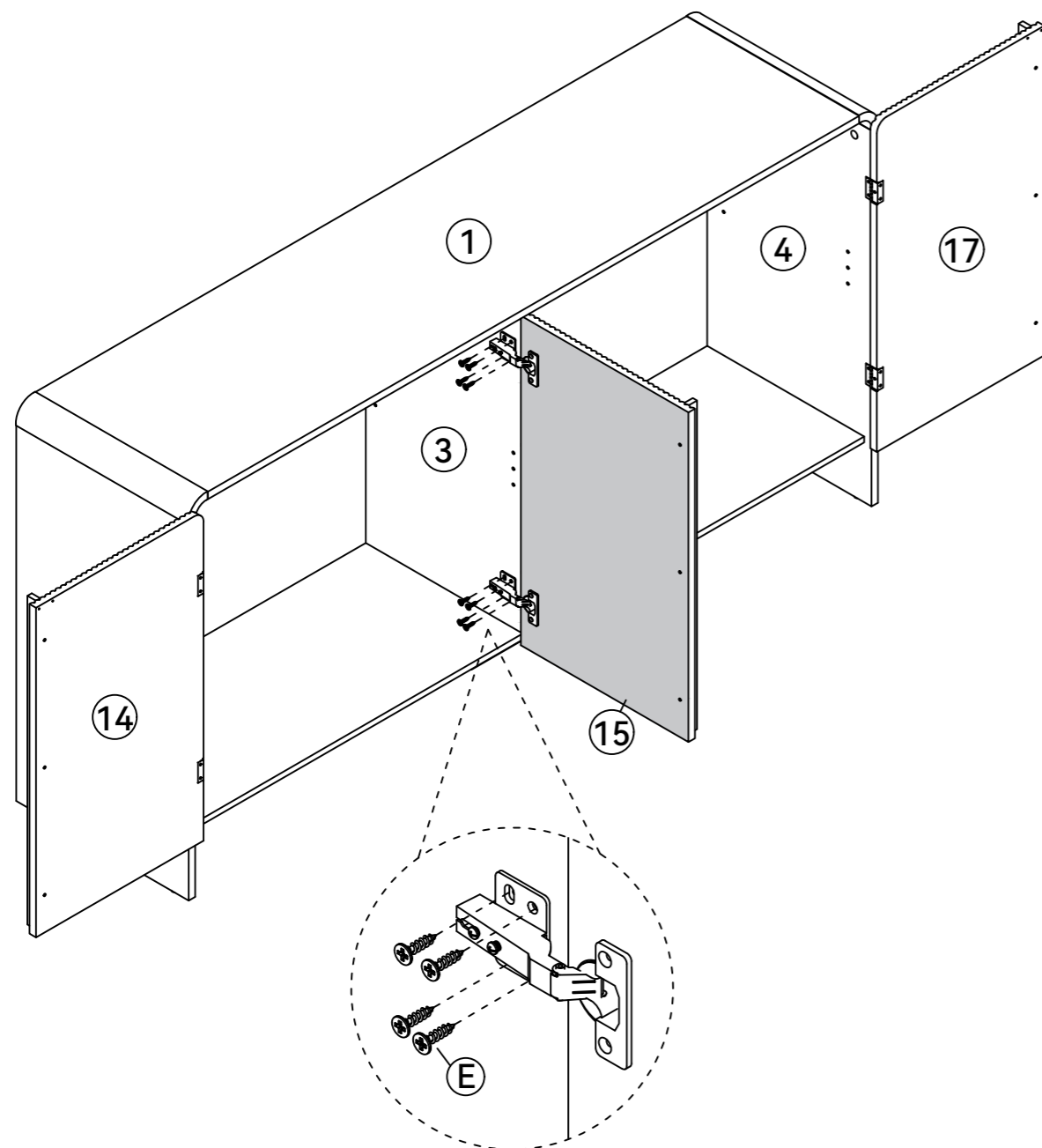


Step 15

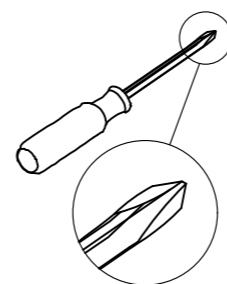


(E)	X8
3.5*12	

As shown in the diagram, use screw (E) to install panel (15) onto panel (3).

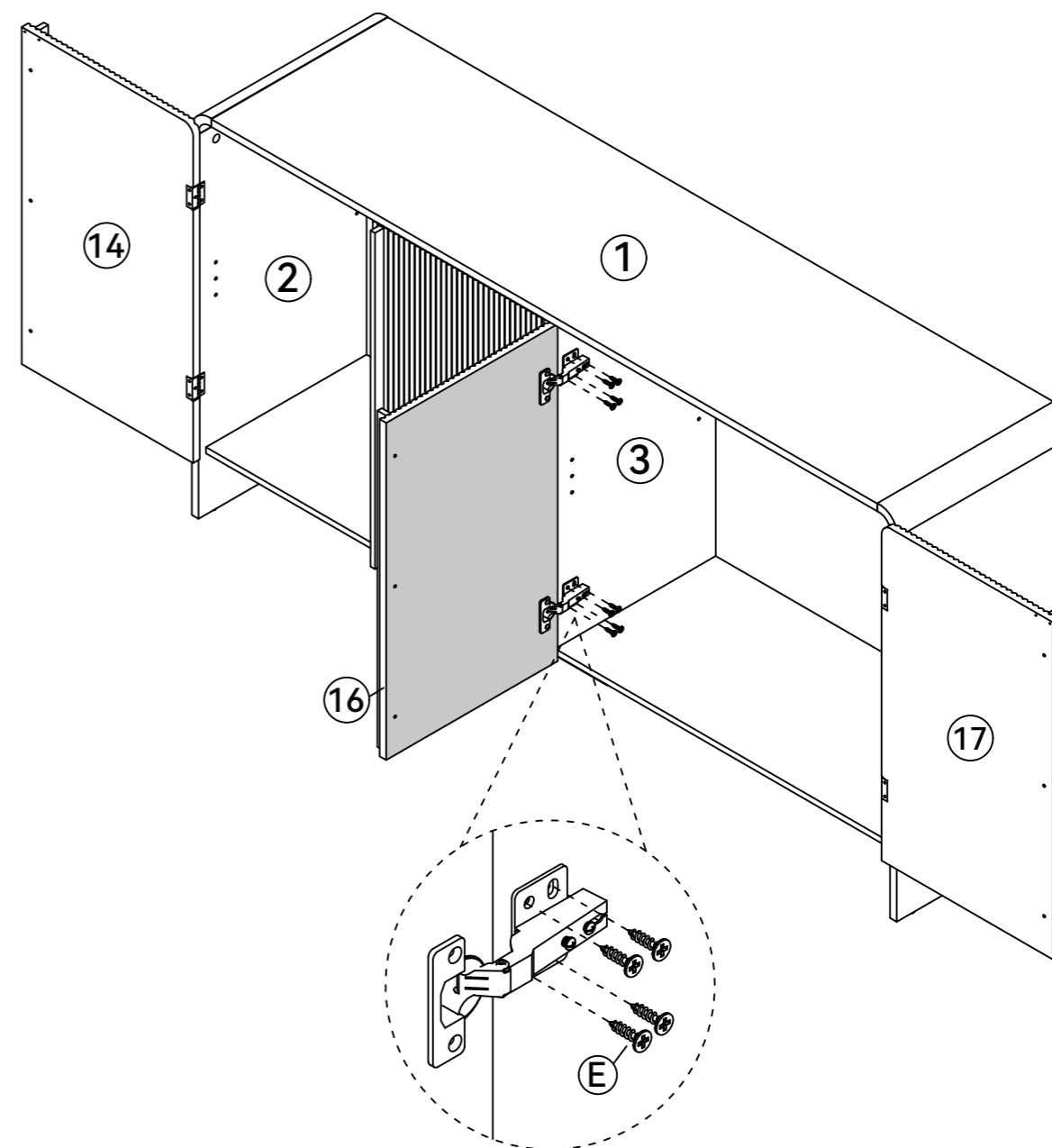


Step 16



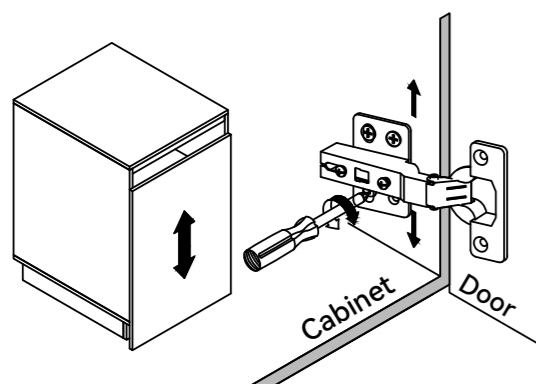
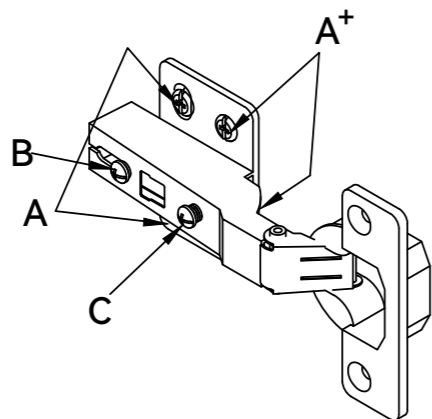
(E)	X8
3.5*12	

As shown in the diagram, use screw (E) to install panel (16) onto panel (3).

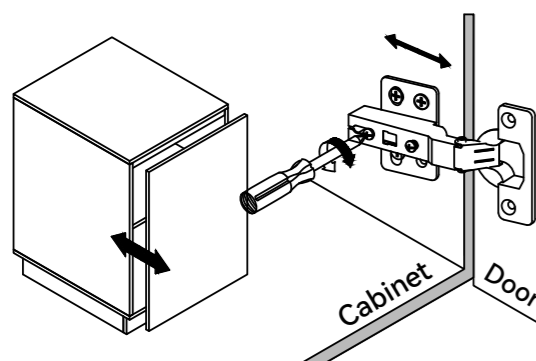


Step 17

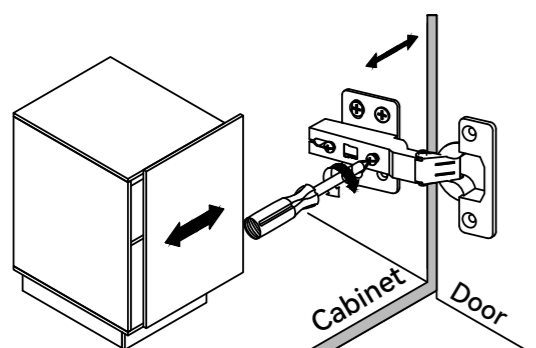
Hinge Adjustment Instructions

**To adjust the vertical height.**

Loosen the four screws "A" on both hinges. Two of them are usually in slotted holes which allows you to adjust up or down by a few mm. Then tighten back up.

**To adjust depth.**

Loosen screw "B" and adjust door, if the door can not be adjusted, please loosen screw "C", then try again. Tighten screw "B" and "C".

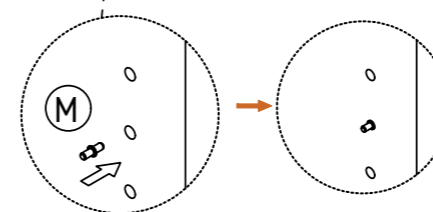
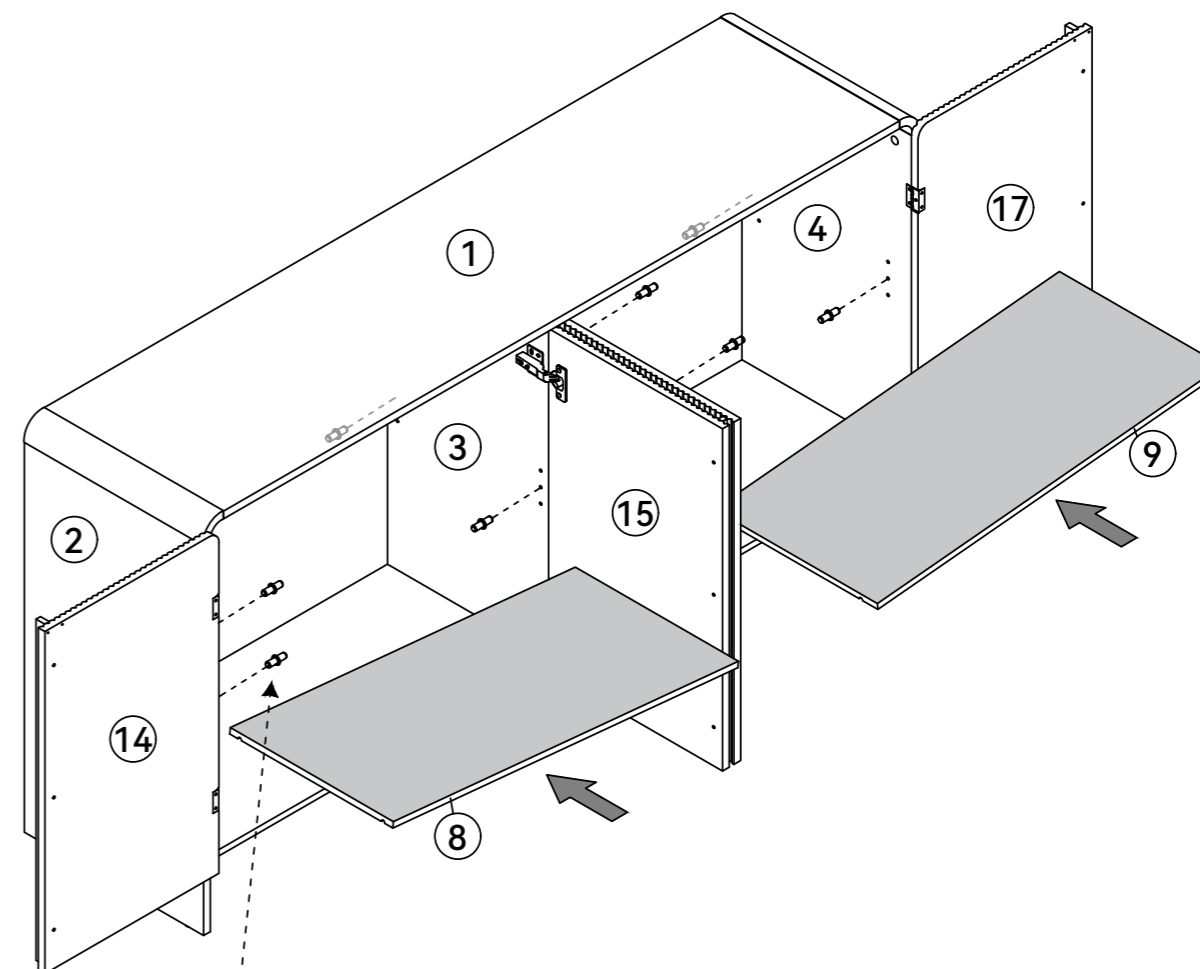
**To adjust side ways.**

Turning the screw "C" on BOTH hinges on each door.

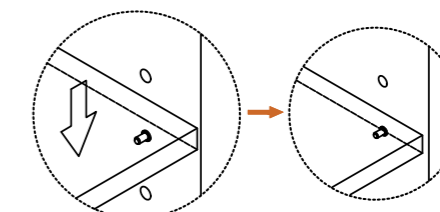
Step 18

Insert accessory (M) into the holes of panels (2), (3), and (4) at the desired height, then place panels (8) and (9) into the cabinet.

(M)	X8
5*16	

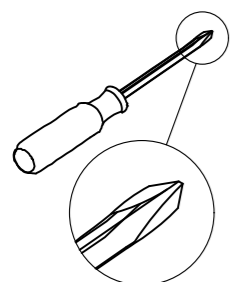
**Step 1**

Select the desired height and put it in

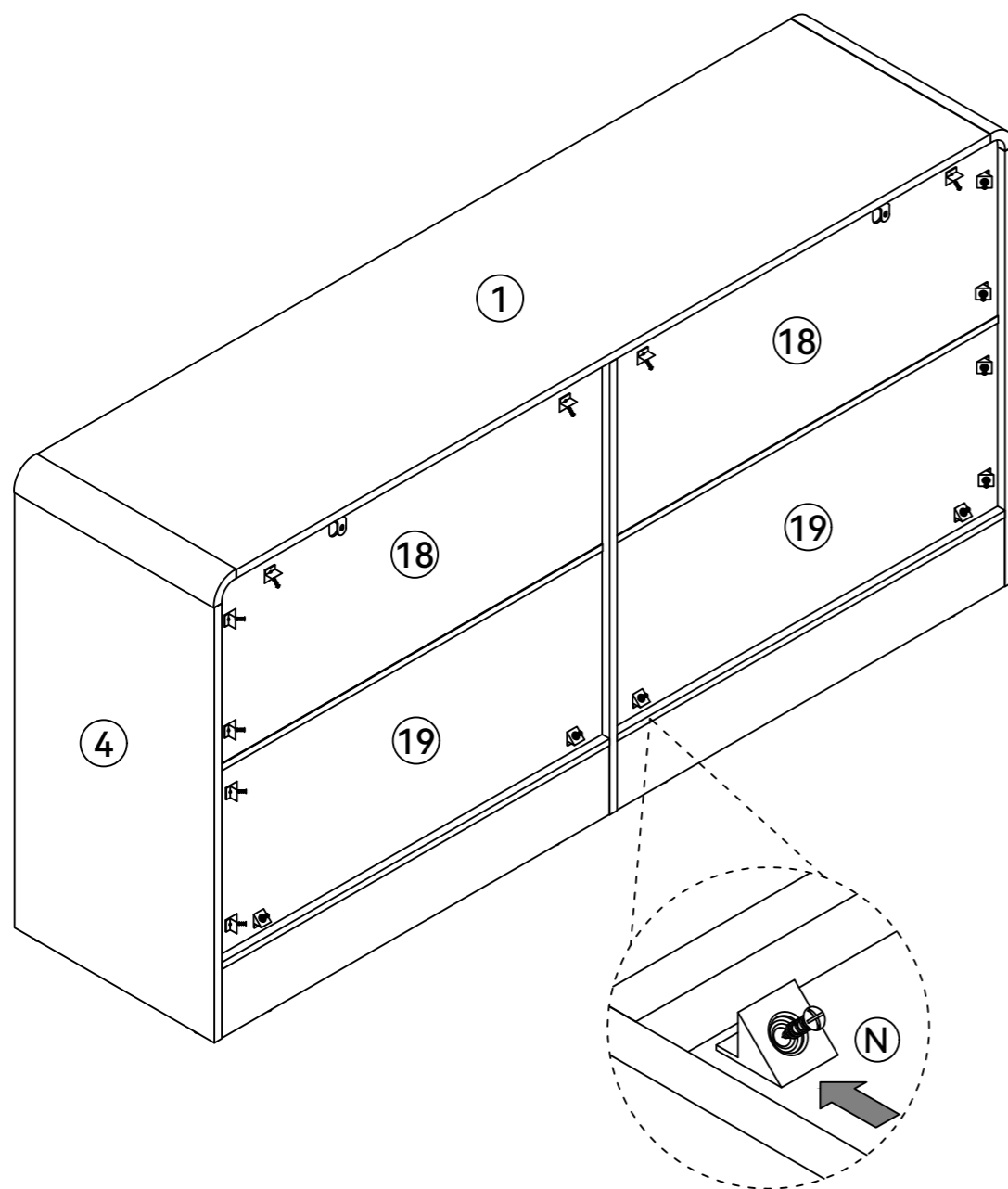
**Step 2**

Aim the board gaps down

Step 19

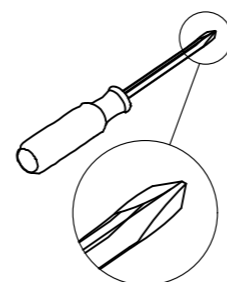


(N)	X16
3*14	



Insert the plastic clip into the back panel slot, turn it through the hole in the plastic clip, and lock it into place.

Step 20


⚠ WARNING


Children have died from furniture tipover. To reduce the risk of furniture tipover:

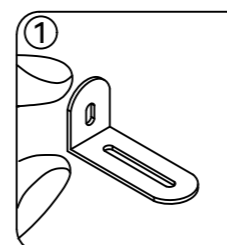
- ALWAYS install tipover restraint provided.
- NEVER put a TV on this product.
- NEVER allow children to stand, climb or hang on drawers, doors, or shelves.
- NEVER open more than one drawer at a time.
- Place heaviest items in the lowest drawers.



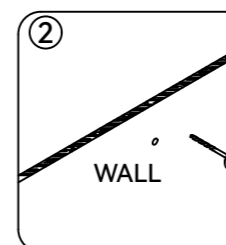
This is a permanent label. Do not remove!

(Q)	X2 set

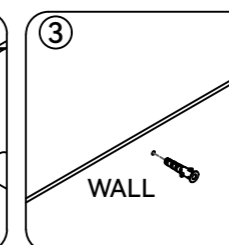
Install the tipping restraint hardware



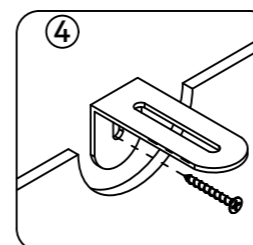
1. make mark on the wall.



2. drill two $\varnothing 6$ holes on the wall.



3. put two anchors in the holes.



4. fix the device on the wall by the long screws.

