

# ASSEMBLY INSTRUCTION

## MOVABLE SIDE CABINET

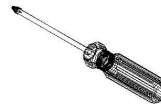
This instruction suitable for 120\*40\*66.5cm



### PRE-ASSEMBLY PREPARATION

Before you start:

1. Choose a clean & spacious assembly area, avoid hard surfaces that may damage the product.
2. Take care when lifting product. It should be assembled as near as possible to the point of use.
3. Ensure that you have all required contents for complete assembly.
4. Always read the assembly instructions carefully before assembly is finished.
5. Keep all hardware parts and packing material out of children.
6. Do not over tighten the screws and bolts as this may cause damage.
7. Estimate assembly time: 30 minutes.
8. Additional Tools required is screw-driver.



Serious or fatal injuries may occur from furniture toppling over.

For security, please follow the below recommendations:

- Never allow children to climb on or hang off of any part of this product
- Unless specifically designed to accommodate, do not set TVs or other heavy objects on top of this product

If this product has drawers:

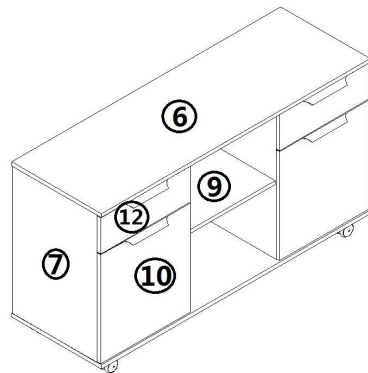
- Place the heaviest items in lowest drawers
- Do not open more than 1 drawer at a time as this may cause the product to become unbalanced
- Do not tamper with or remove any drawer interlocking/sliding system
- Please use this product with caution
- This is a permanent label. Do not attempt to remove!

**NOTE:** We understand that this assembly video may be filmed in fast motion (to fast track the labour) or quality of filming environment may vary. Please use this video as an aid or guidance if required.


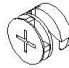
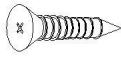





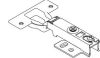
## PRODUCT CHECK

Upon receiving the furniture, please check product size, carton quantity and the direction of the side cabinet's location is correct prior to assembly.

The N01 movable side cabinet set should be packaged in 1 carton. The shipping mark to be show on 1-1.

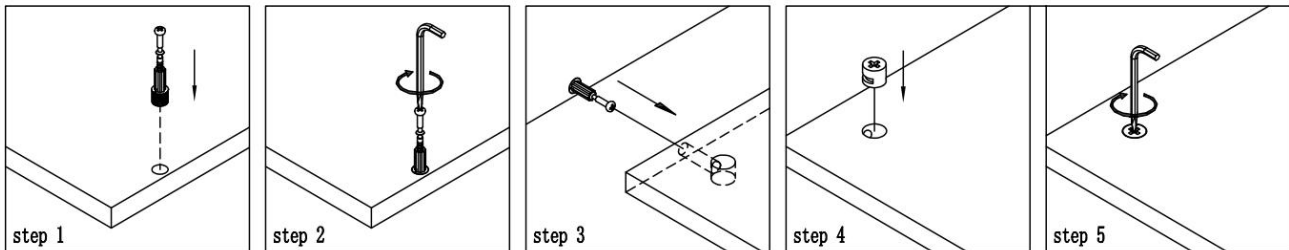
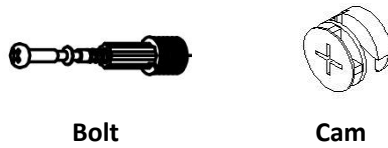


Carton No.	Panel No.	Panel Size (CM)	Qty		Carton No.	Panel No.	Panel Size (CM)	Qty
1-1	6	120*40*1.5	2		1-1	11	116.8*57*1.5	1
1-1	7	57*38*1.5	2		1-1	12	40*14*1.5	2
1-1	8	57*36.4*1.5	2		1-1	13	35*9.6*1.5	4
1-1	9	39.6*36.2*1.5	1		1-1	14	31.5*9.6*1.5	2
1-1	10	40*42.2*1.5	2		1-1	15	32.5*34.5*0.5	2

Accessories list ( Carton No.:1-1)				
No.	Name	Size(mm)	Qty	drawing
A	3 in 1 minifix- Bolt	40	32	
	3 in 1 minifix-Cam	∅ 15		
D	Long screw	3.5*35	8	
E	Short screw	3.5*14	60	
I	Drawer slide track	14 inches	2	
N	Shelf support pin	13.5*4.8	4	
O	Handle ( side cabinet)	398	4	
P	Wheel	2 inches	4	
Q	Hinge-Full overlay		4	

## GENERAL ASSMEBLY DETAILS:

### How to use 3 in 1 Mini-Fix Cam & Pins (Accessory A) Fasteners



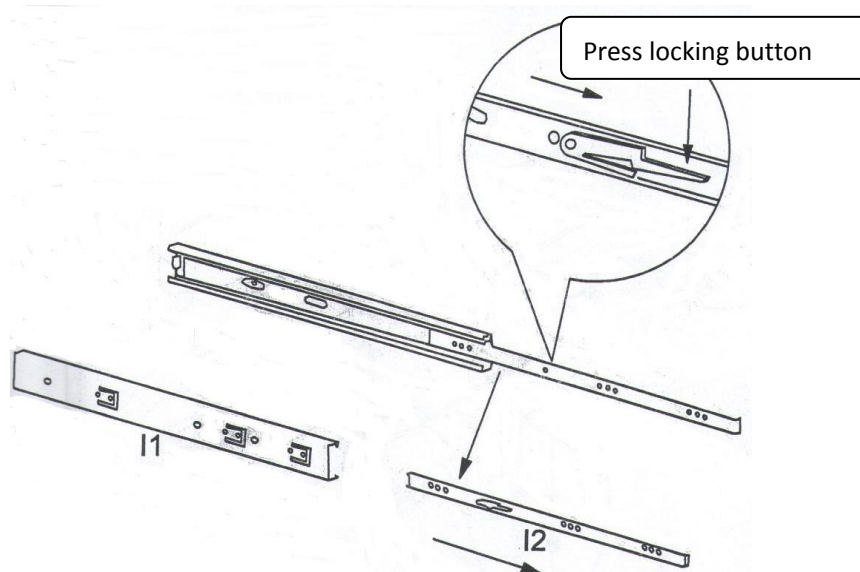
Cam lock fasteners are used to join two pcs boards together.

1. Using a screw driver or cordless drill, do not over tighten Bolts.
2. Use a flathead screwdriver to turn and tighten the Cam lock in a clockwise direction until the head of the pin is tightly secured. **DO NOT USE A CORDLESS DRILL**

### How to separate drawer sliders?

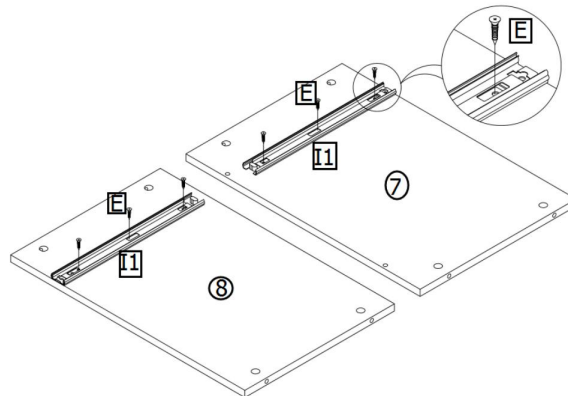
The drawer slide I1 & I2 may be connected.

Carefully pull out slide part I2 and press the plastic clip/lever to unlock to fully separate the two parts of the runner.

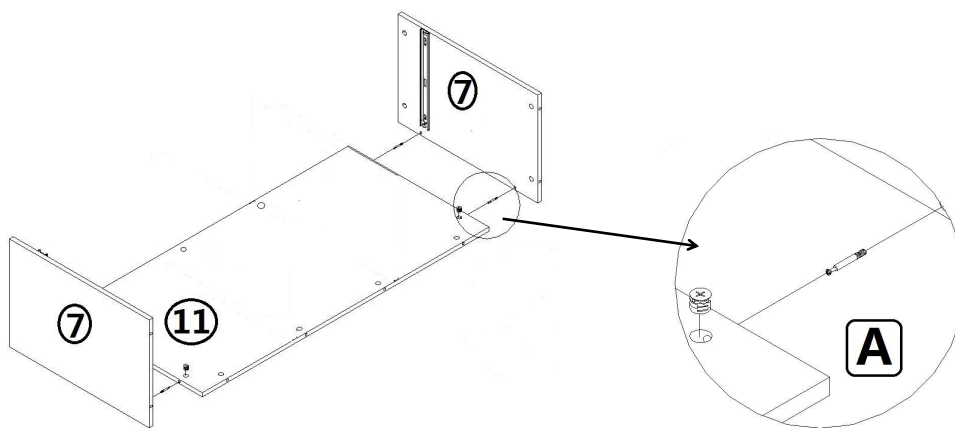


## START TO ASSEMBLY

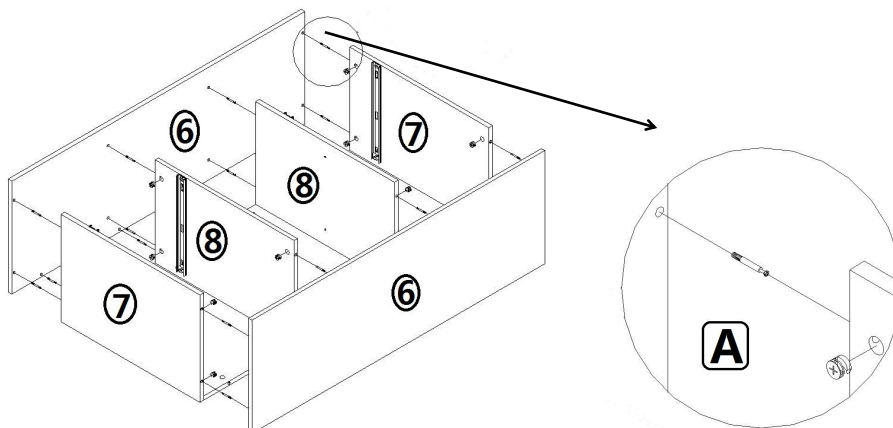
1. Long side cabinet accessory package in 4-3. Separate runner slides (14 inches) into two parts as beginning of instruction. Get out No.7 panels and No.8 panels, screw slide I1 onto their guiding holes by E screw (3.5\*14mm) tightly.



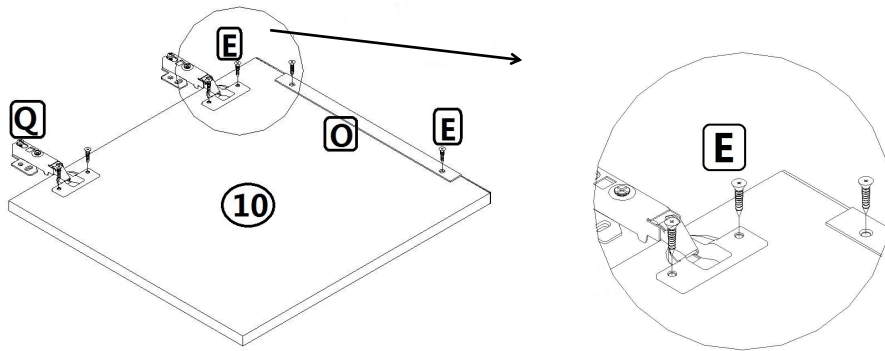
2. Screw A-bolts into white plastic nuts on No.7 panel.  
Push A bolt into holes of panel No.11. Lock A CAM on panel No.11.



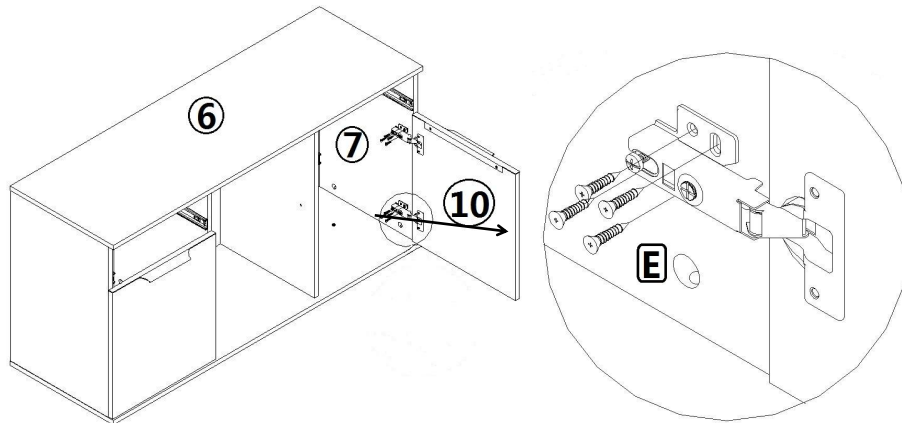
3. Screw A-bolts into white plastic nuts on panel No.6.  
Push A bolt into holes of panel No.7,8. Lock A CAM on that panels.



4. Assemble Q hinge and O handle by E screws (3.5\*14mm) on No.10 panel.  
 (Pay attention for the right door and left door)

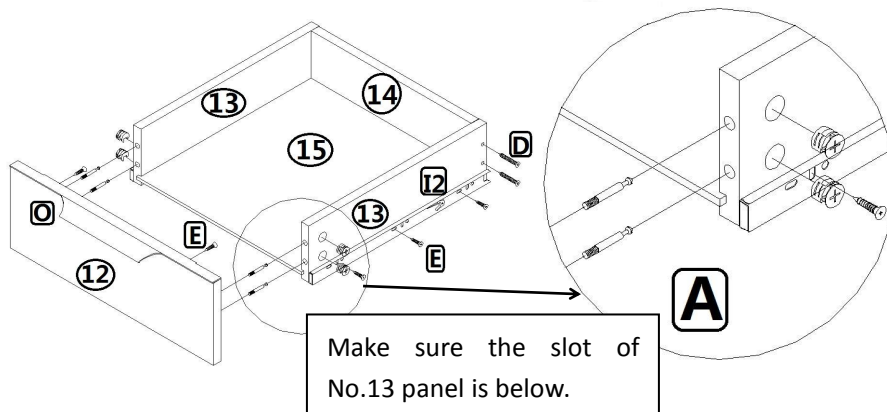


5. Assemble the doors. Tighten No.10 panel & No.7 panel by Q hinge.  
 Screw Q onto No.7 panel by E screw (3.5\*14mm).

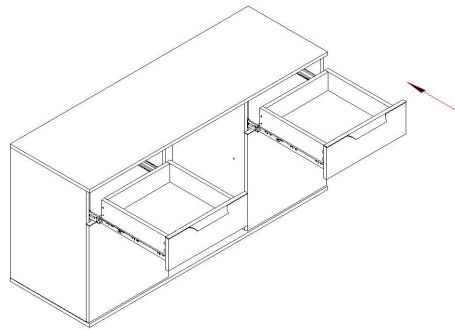


6. Drawer installation.

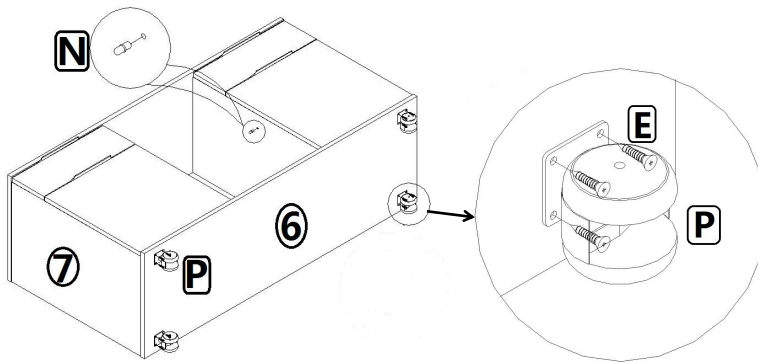
- Screw I2 slide onto No.13 panel with E screw (3.5\*14).  
 Connect No.13 panels and No.14 panel by D screws (3.5\*35mm)  
 No.15 panel should be inserted into slot of No.13 panels.  
 No.12 panel should be fixed with No.13 panels by A-bolts & CAM.



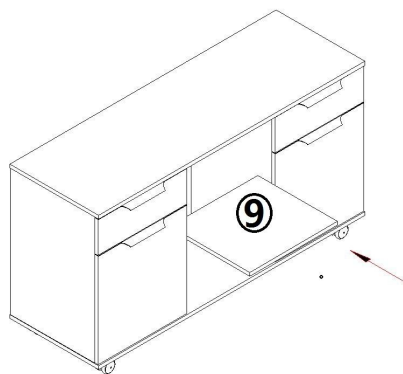
7. Install drawer. Insert slide I2 into slide I1. If you could not slide drawer smoothly or close it, press locking button to fully separate into two parts, and re-install them.



8. Tap N shelf support pin (13.5\*4.8mm) into pre-drilled holes on middle of No.8 panels. Install wheels on the bottom of No.6 panel by E screws (3.5\*1.4mm).



9. 2 persons turn cabinet over, and put No.9 panel on pins.



You may choose to use the decals to cover any Cam locks that are visible.

**Finished assembly**

## **FINAL NOTE:**

Do not drag the furniture as this may cause damage to the legs. Instead, ask at least 2 persons to lift carefully with caution from either end.

### **IMPORTANT: CARE GUIDE FOR YOUR MELAMINE BOARD FURNITURE**

Please read up on important information regarding your furniture.

- Dust frequently with a clean damp, lint-free cloth.
- Avoid using chemicals or solvents when cleaning the furniture.
- Do not place hot objects on any furniture surface.
- Avoid exposing your furniture to strong sunlight.
- Do not expose your furniture to any liquids.
- Do not allow sharp or rough object scratch the surface of furniture.
- When moving furniture, do not drag it across the floor.