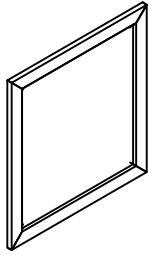


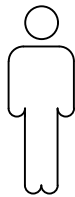
ASSEMBLY INSTRUCTIONS



+ Do Not Use Power Tools



+ Suggested Adults



NOTE :

- 1 Read instructions cover to cover .
- 2 Save all packaging until assembly is completed

1 IMPORTANT SAFETY INFORMATION

Do not assemble the product if any of the following parts arrived damaged:

Part# -Mirror X1pc

Part# -Back connect X2pcs

Part#

Do not assemble if any the following Hardware parts are missing:

Part# -Bolt X8pcs

Part# -Lock Washer X8pcs

Part# -Flat Washer X8pcs

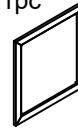
Part# -Allen Key X1pc

2 IMPORTANT ASSEMBLY INFORMATION

Assembly Step If loosening persists, please make sure to tighten all the bolts periodically, or use a thread locker adhesive .

+ Parts Included

① Mirror
X1pc



② Back connect
X2pcs



+ Hardware Included

A Bolt
 $\Phi 1/4'' \times 35\text{mm}$
X8pcs



B Lock Washer
 $\Phi 1/4''$
X8pcs



C Flat Washer
 $\Phi 16 \times 1\text{mm}$
X8 pcs

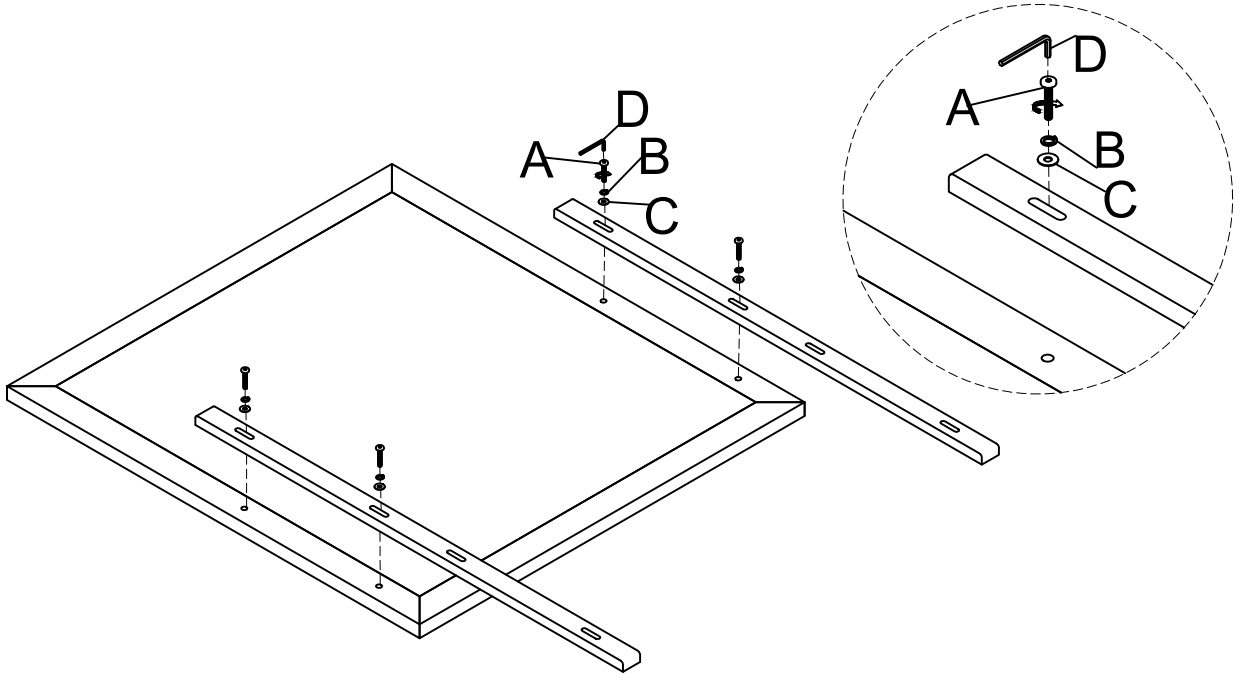


D Allen Key
4mm
X1pc



ASSEMBLY INSTRUCTIONS

1



2

