

ASSEMBLY INSTRUCTIONS



Fine Furniture for every stage of life

Eastern King Bed

REVISION 0: 06/27/2018
REVISION 1: 04/22/2019
REVISION 2: 07/25/2019

PAGE 1 OF 7

ASSEMBLY INSTRUCTIONS

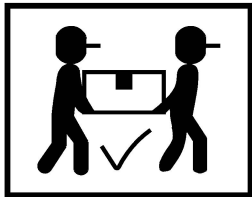
ASSEMBLY TIPS:

1. Remove hardware from box and sort by size.
2. Please check to see that all hardware and parts are present prior to start of assembly.
3. Please follow attached instructions in the same sequence as numbered to assure fast & easy assembly.



WARNING!

1. Don't attempt to repair or modify parts that are broken or defective. Please contact the store immediately.
2. This product is for home use only and not intended for commercial establishments.



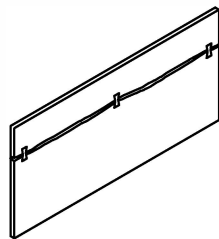
ASSEMBLY TIME

30 MINUTES

PARTS IDENTIFICATION

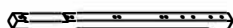
B1 (BOX 1)

A HEADBOARD PANEL



1PC

B HEADBOARD LEG



2PCS

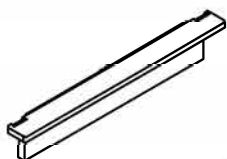
C CENTER RAIL SUPPORT



1PC

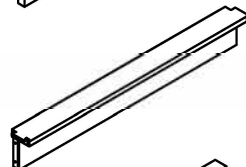
B2 (BOX 2)

D FOOTBOARD



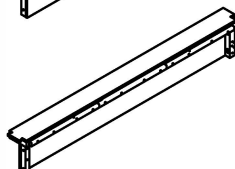
1PC

E RIGHT BED RAIL



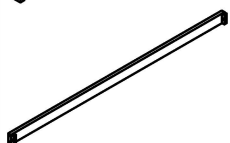
1PC

F LEFT BED RAIL



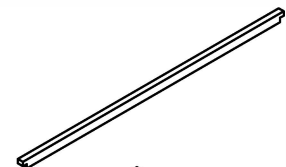
1PC

G TRESTLE BAR



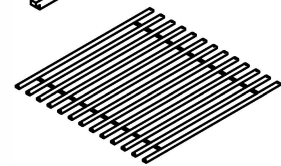
1PC

H CENTER RAIL



1PC

I ROLL SLAT (13PCS)



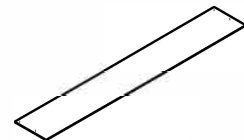
1SET

J CENTER RAIL SUPPORT WITH LEVELER



3PCS

K CONCEAL PANEL



1PC

HB * FROM BOX 1 HEADBOARD COMPLETE



1PC

NOTE :

Phillips head screw driver is required in the assembly process; however, manufacturer does not provide this item.

ASSEMBLY INSTRUCTIONS

ASSEMBLY TIPS:

1. Remove hardware from box and sort by size.
2. Please check to see that all hardware and parts are present prior to start of assembly.
3. Please follow attached instructions in the same sequence as numbered to assure fast & easy assembly.



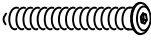
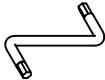





WARNING!

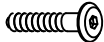

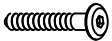
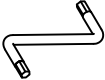
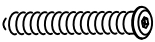

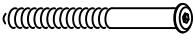




1. Don't attempt to repair or modify parts that are broken or defective. Please contact the store immediately.
2. This product is for home use only and not intended for commercial establishments.

HARDWARE IDENTIFICATION

BOX 1 - HARDWARE PACK

1	SHORT BOLT (M6 x 40mm - BLK)		2PCS	5	BIG FLAT WASHER (Ø20 x Ø8 x 2mm - BLK)		8PCS
2	LONG BOLT (M8 x 60mm - BLK)		8PCS	6	Z-ALLEN WRENCH (4mm - WHT)		1PC
3	LOCK WASHER (Ø13 x Ø8 x 2mm - BLK)		10PCS	7	ALLEN WRENCH (5mm - BLK)		1PC
4	SMALL FLAT WASHER (Ø16 x Ø6.5 x 1mm - BLK)		2PCS				

BOX 2 - HARDWARE PACK

8	BOLT 1 (M6 x 40mm - BLK)		2PCS	14	SMALL FLAT WASHER (Ø16 x Ø6.5 x 1mm - BLK)		4PCS
9	BOLT 2 (M6 x 50mm - BLK)		2PCS	15	Z-ALLEN WRENCH (4mm - WHT)		1PC
10	BOLT 3 (M8 x 60mm - BLK)		4PCS	16	ALLEN WRENCH (5mm - BLK)		1PC
11	BOLT 4 (M8 x 90mm - BLK)		4PCS	17	LONG PAN HEAD SCREW (Ø7 x 1 1/4" - BLK)		26PCS
12	LOCK WASHER (Ø13 x Ø8 x 2mm - BLK)		12PCS	18	SHORT PAN HEAD SCREW (Ø6 x 5/8" - BLK)		4PCS
13	BIG FLAT WASHER (Ø18 x Ø8 x 1mm - BLK)		8PCS				

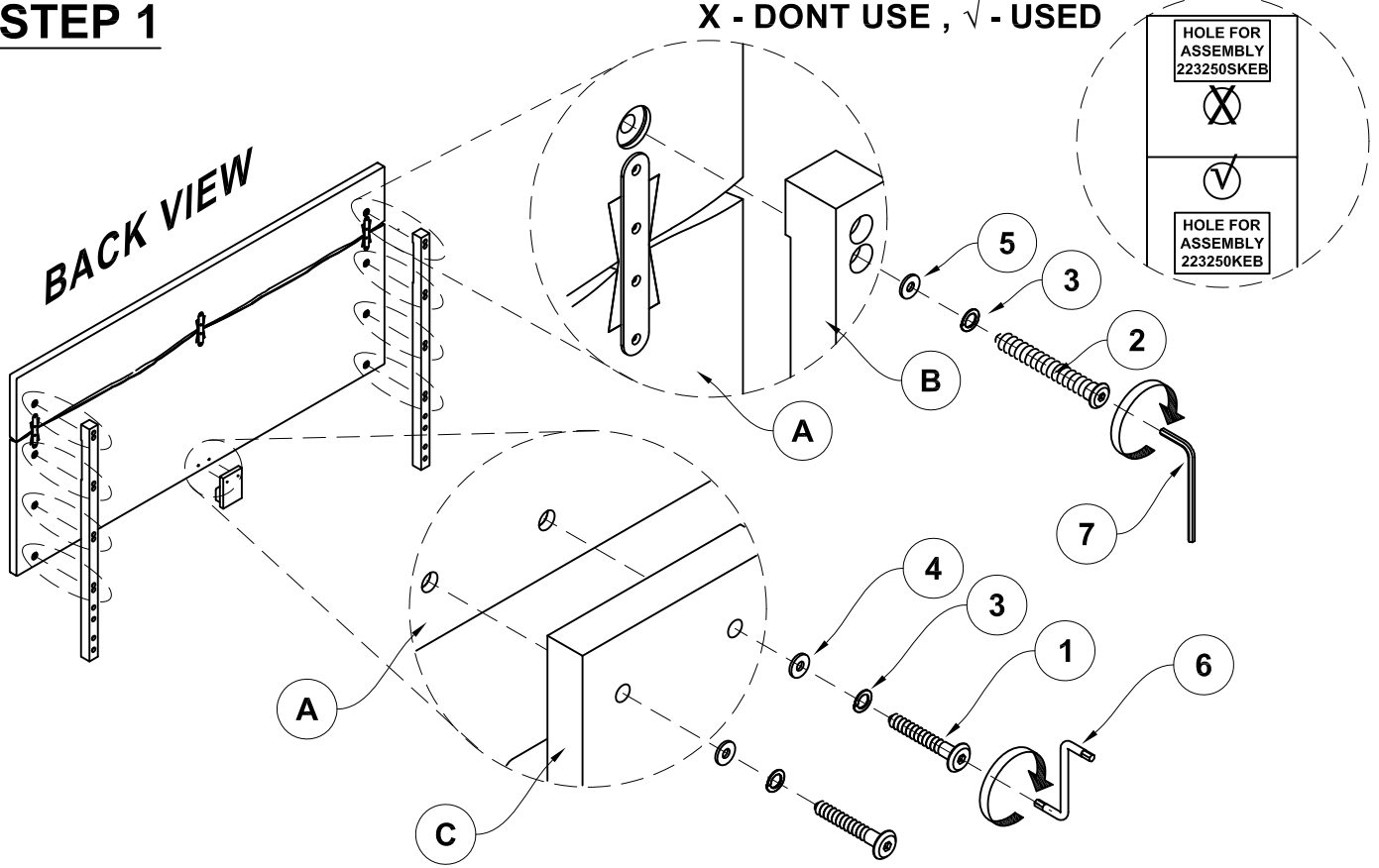
NOTE :

Phillips head screw driver is required in the assembly process; however, manufacturer does not provide this item.

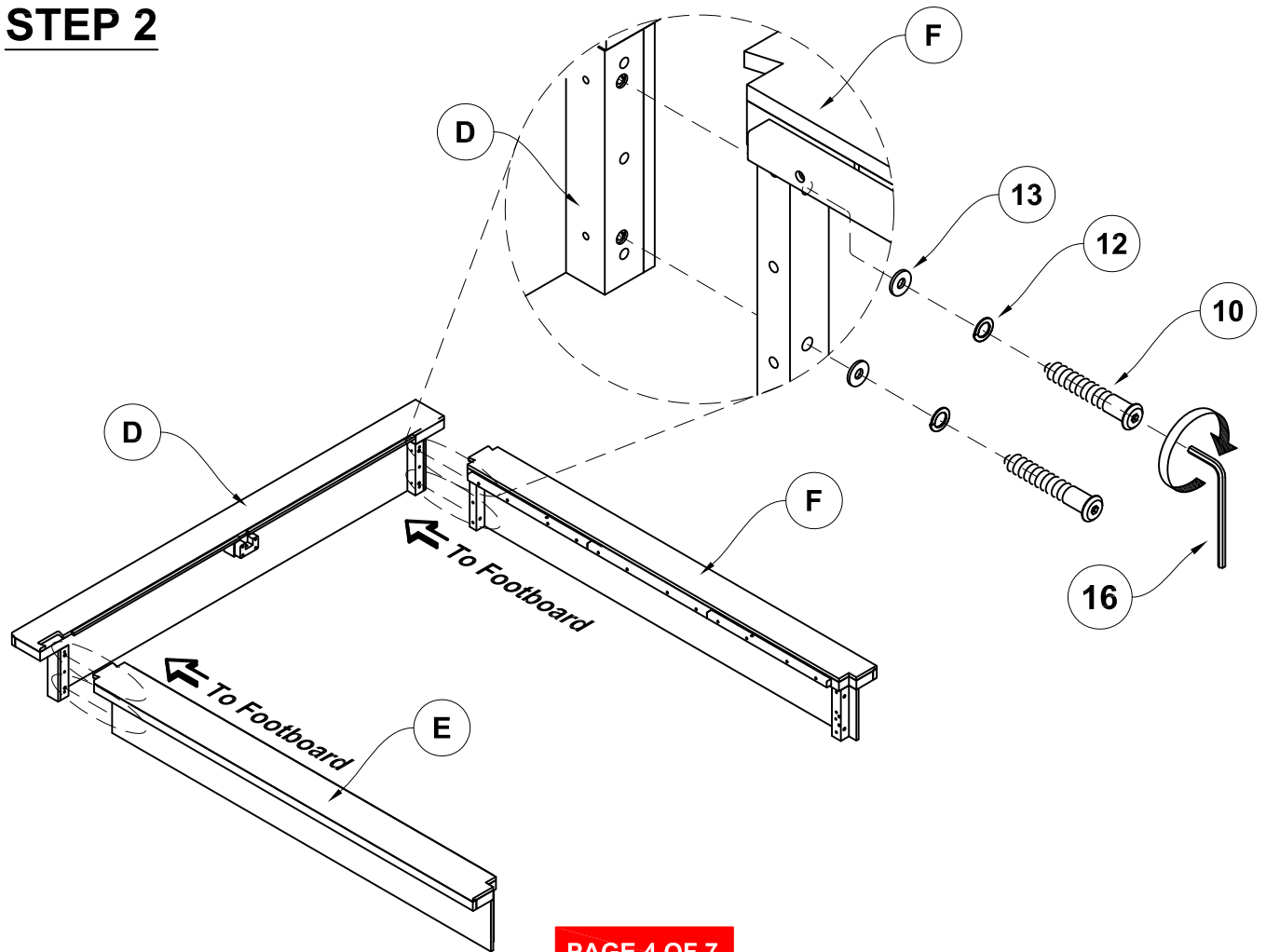
ASSEMBLY INSTRUCTIONS

STEP 1

X - DONT USE , ✓ - USED

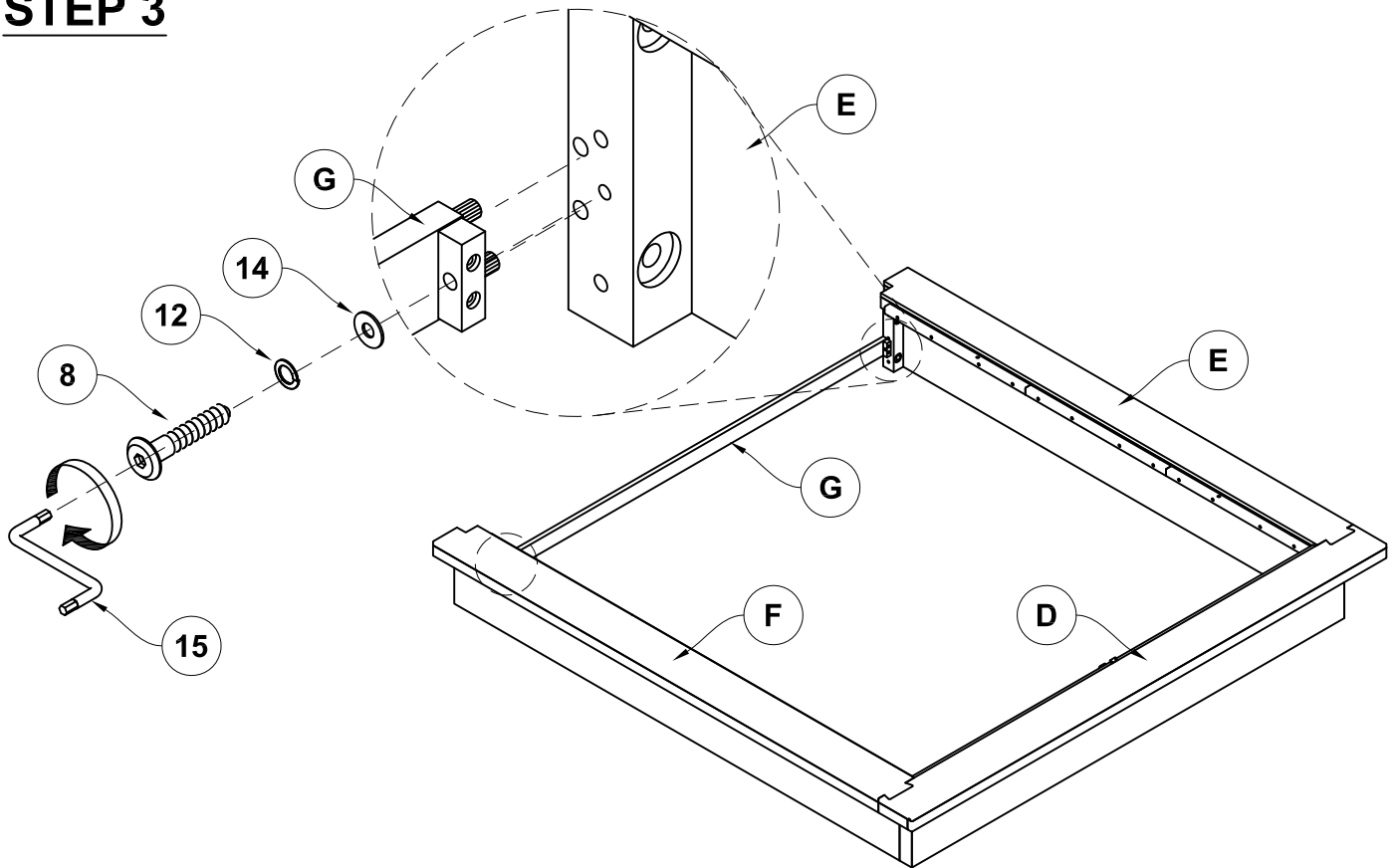


STEP 2

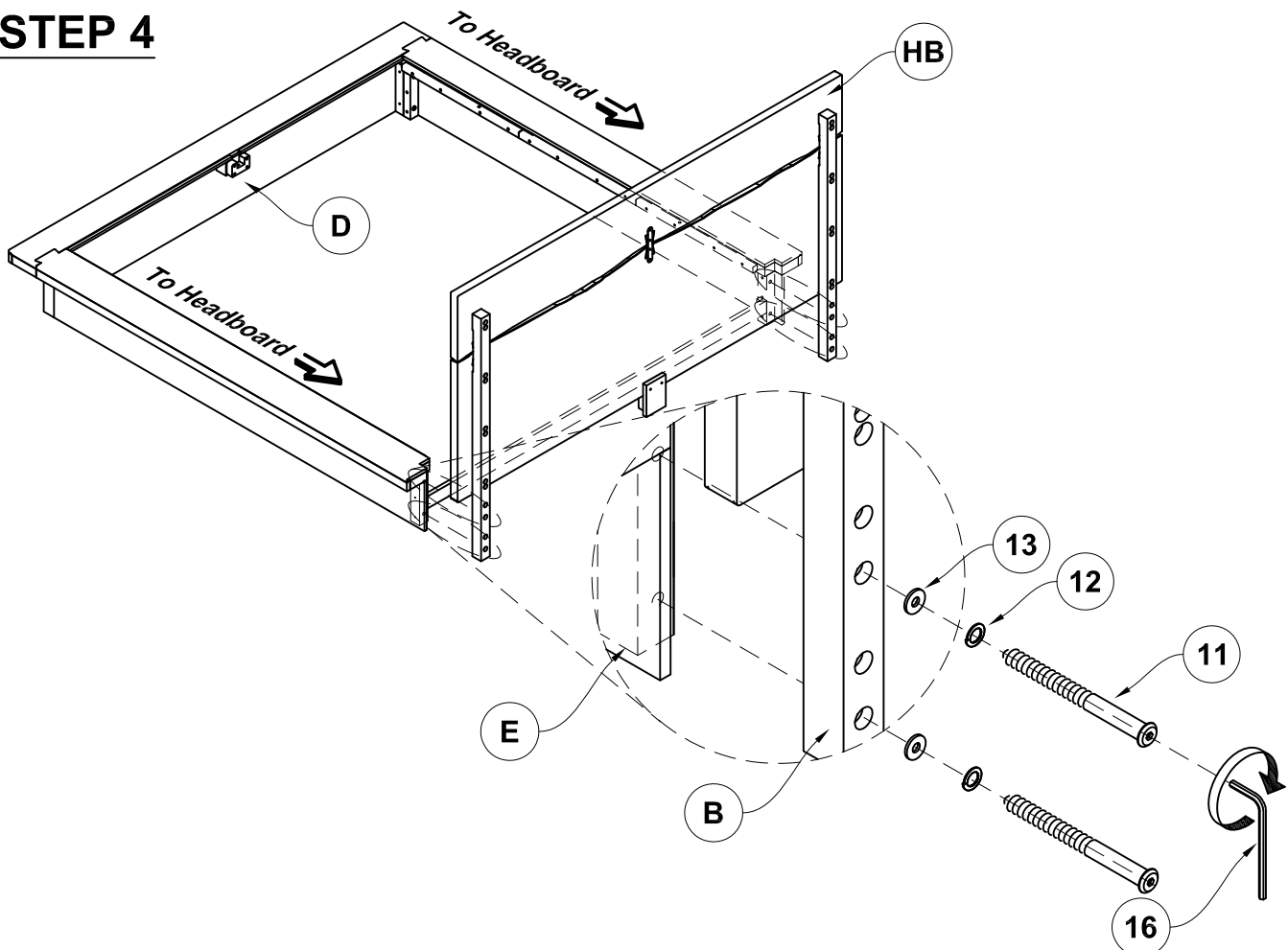


ASSEMBLY INSTRUCTIONS

STEP 3

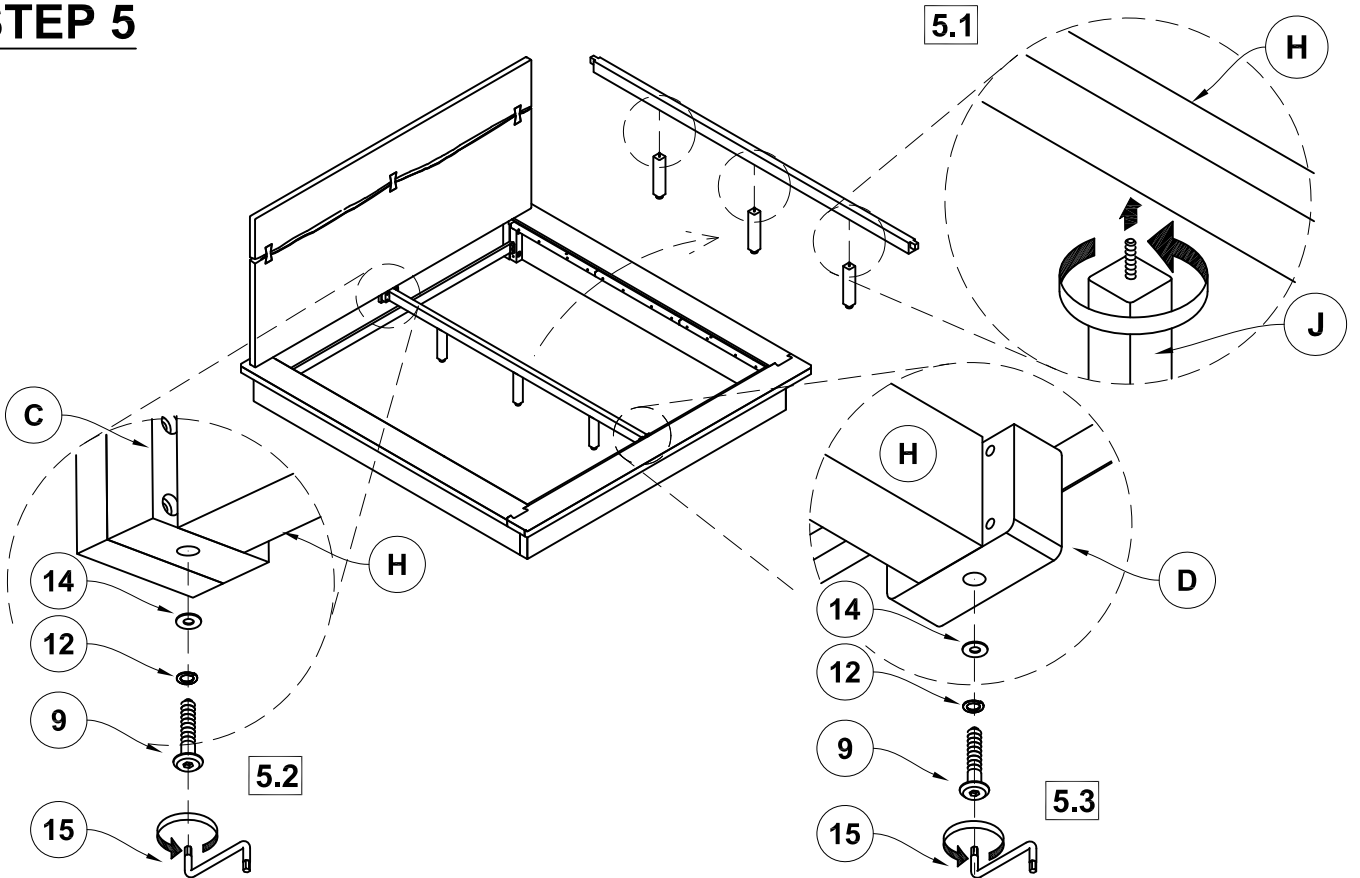


STEP 4

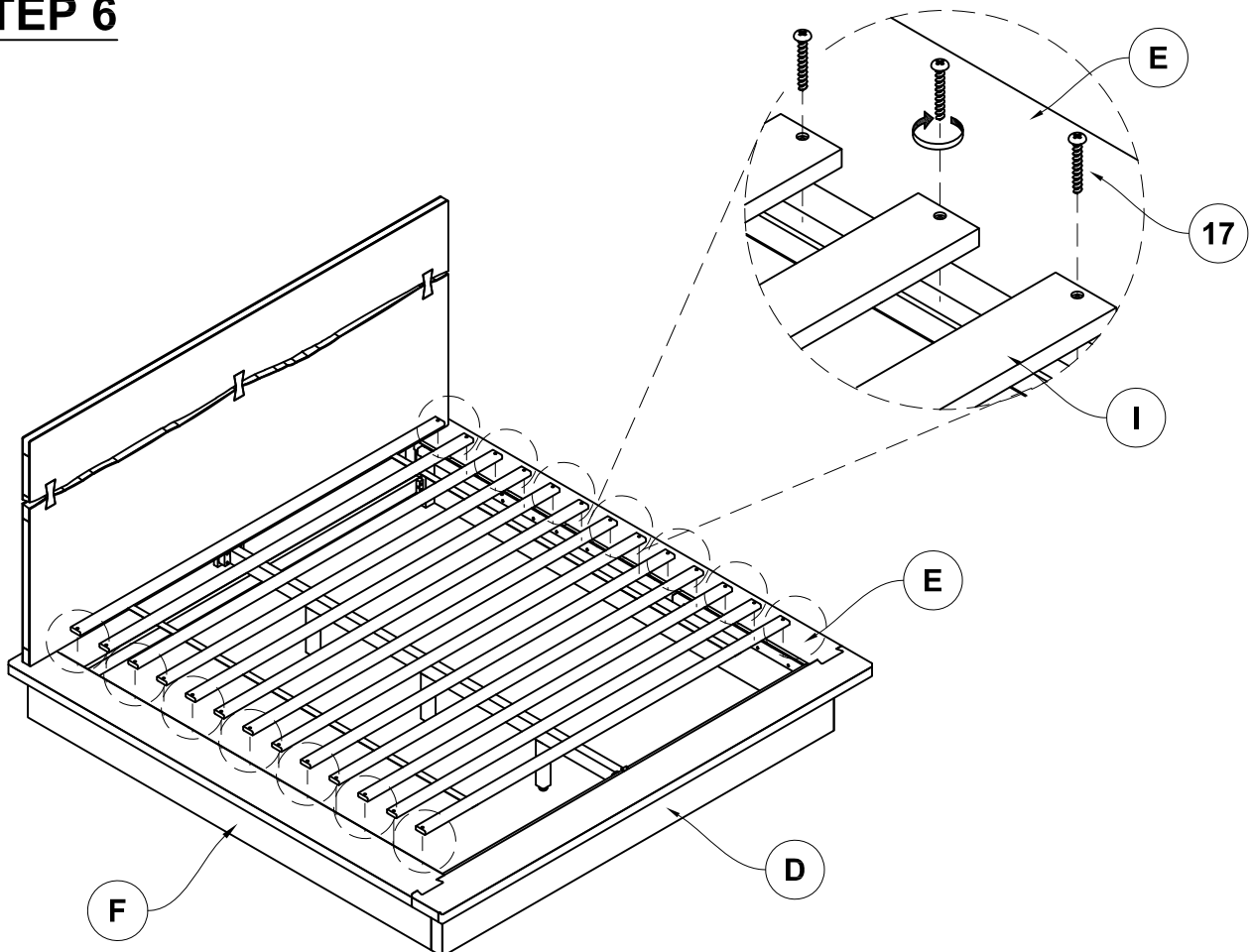


ASSEMBLY INSTRUCTIONS

STEP 5

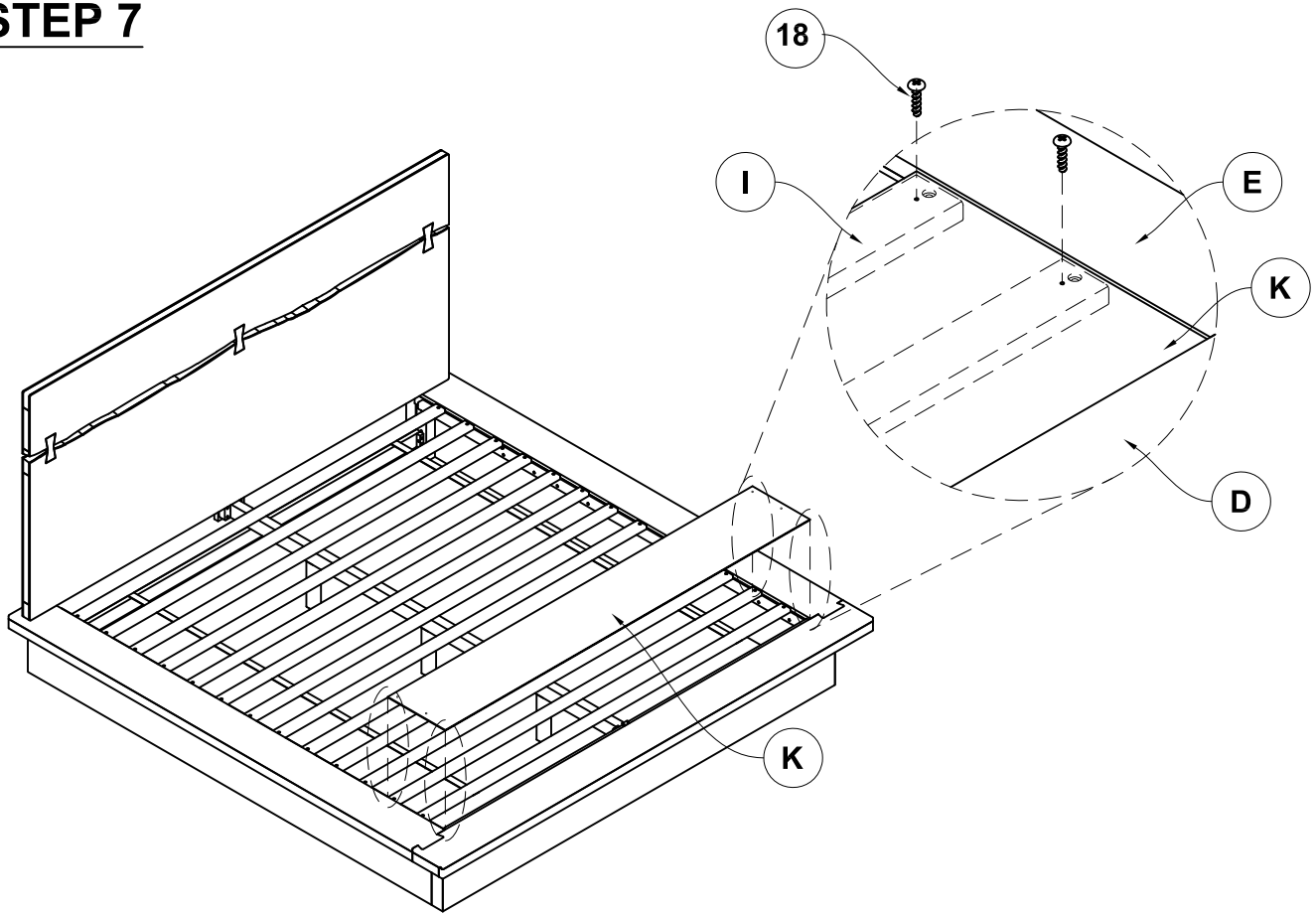


STEP 6

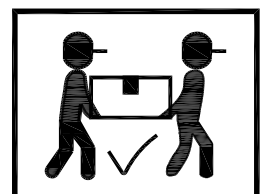
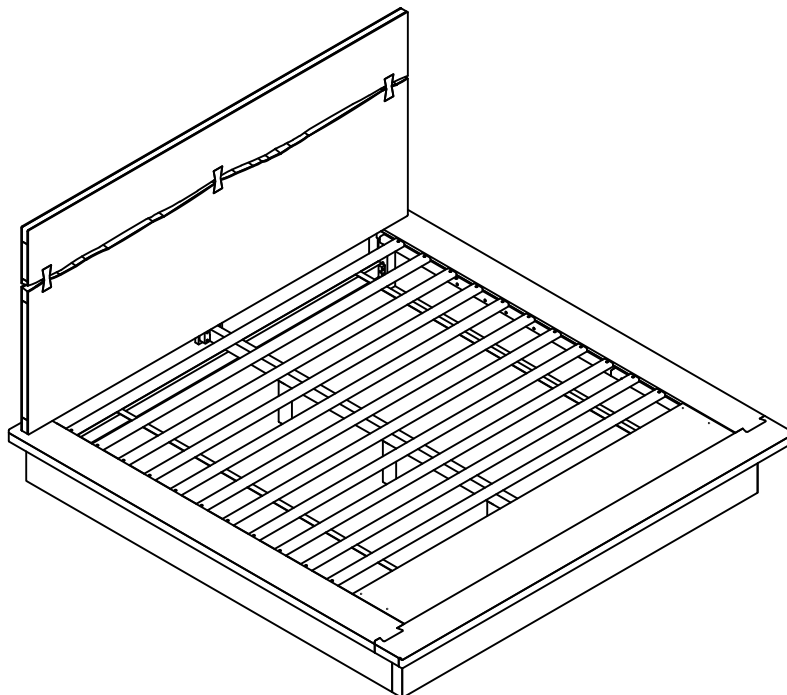


ASSEMBLY INSTRUCTIONS

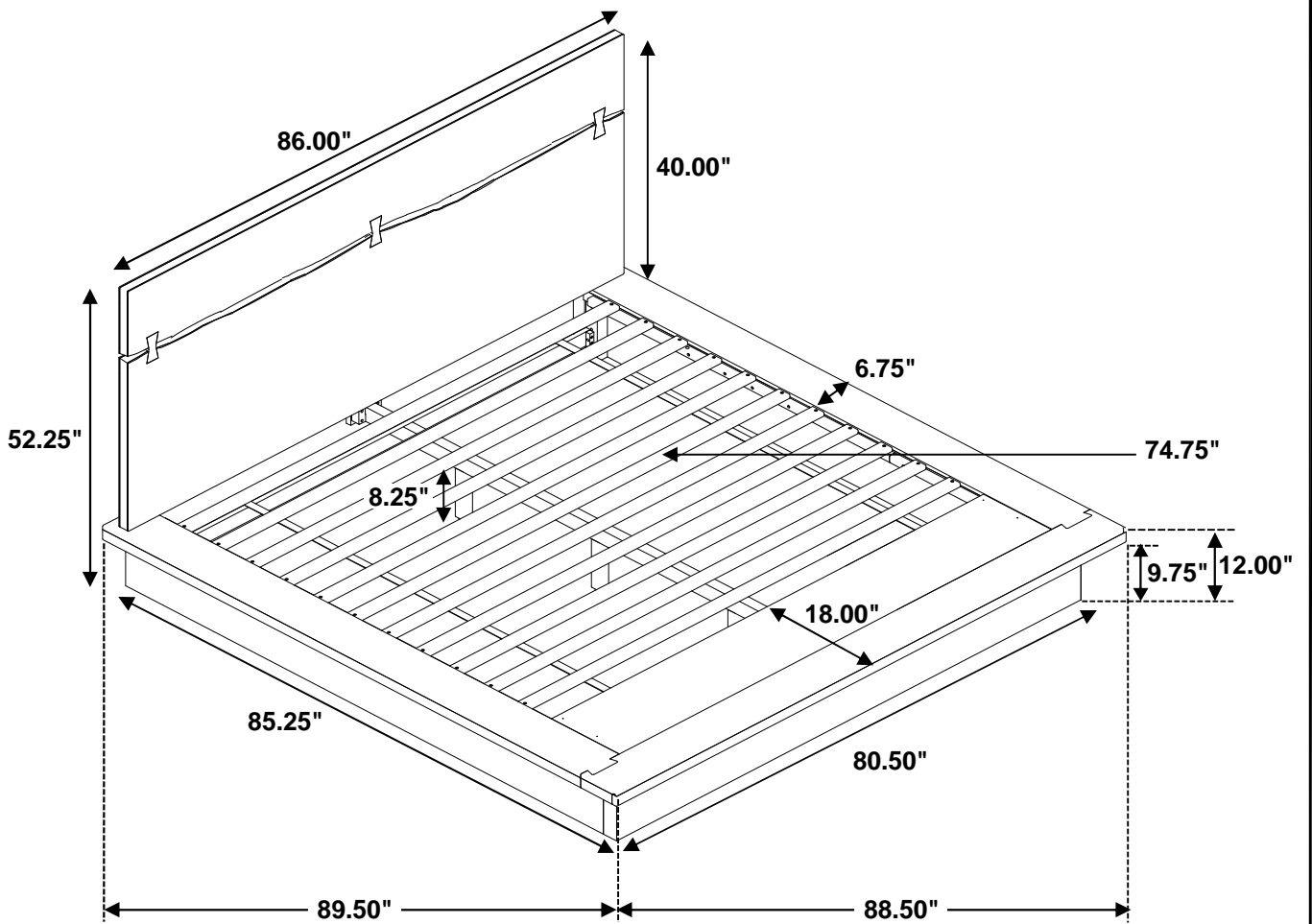
STEP 7



STEP 8 COMPLETE



Inner Size: 88.50"W X 86.00"D



Note: Dimension tolerance $\pm 5\%$