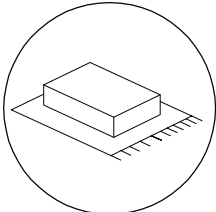
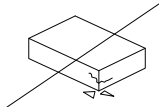
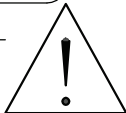
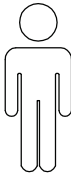
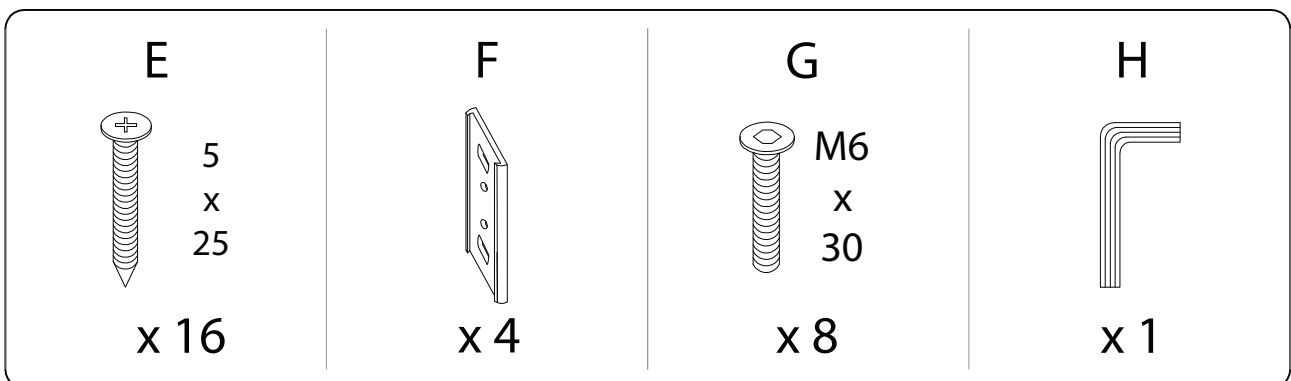
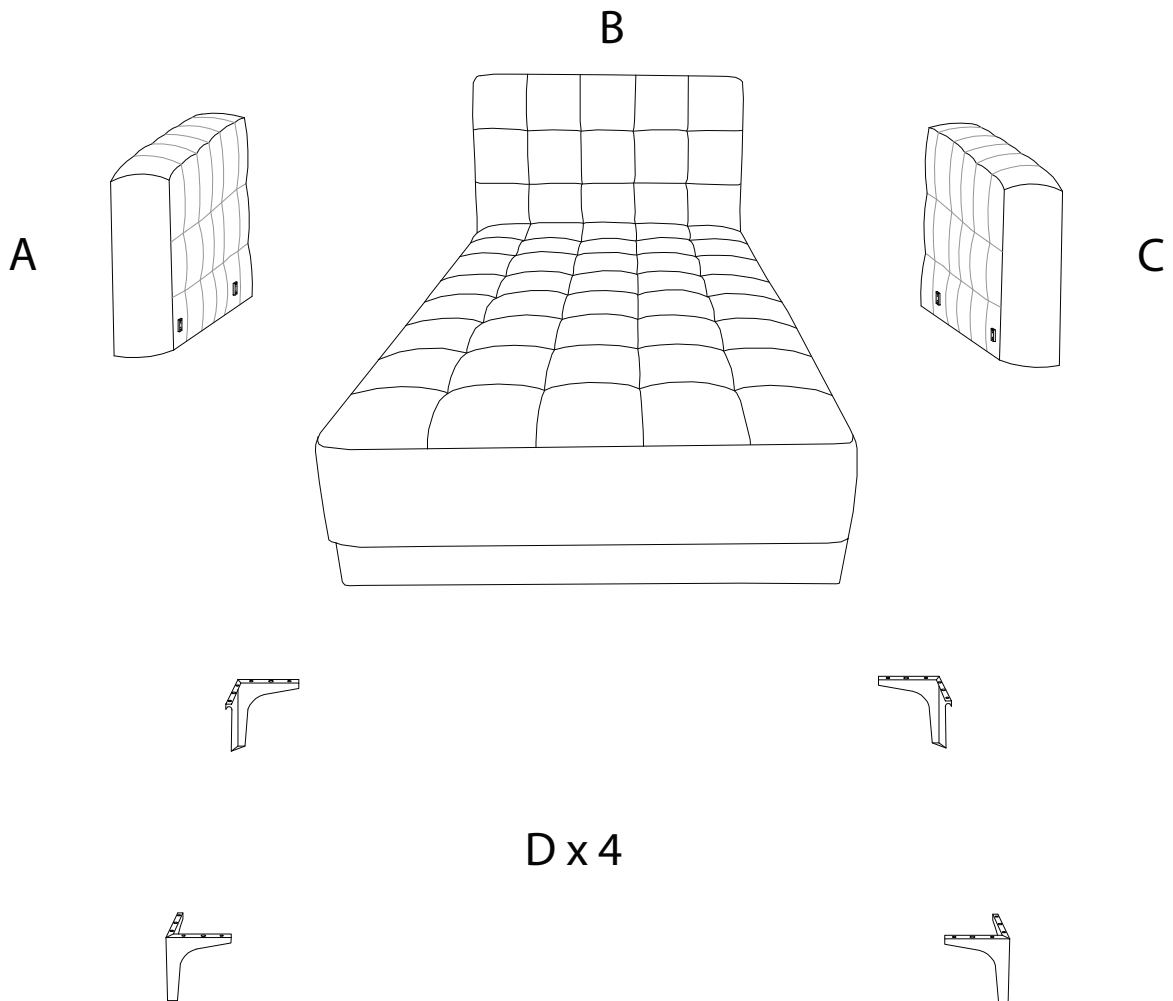
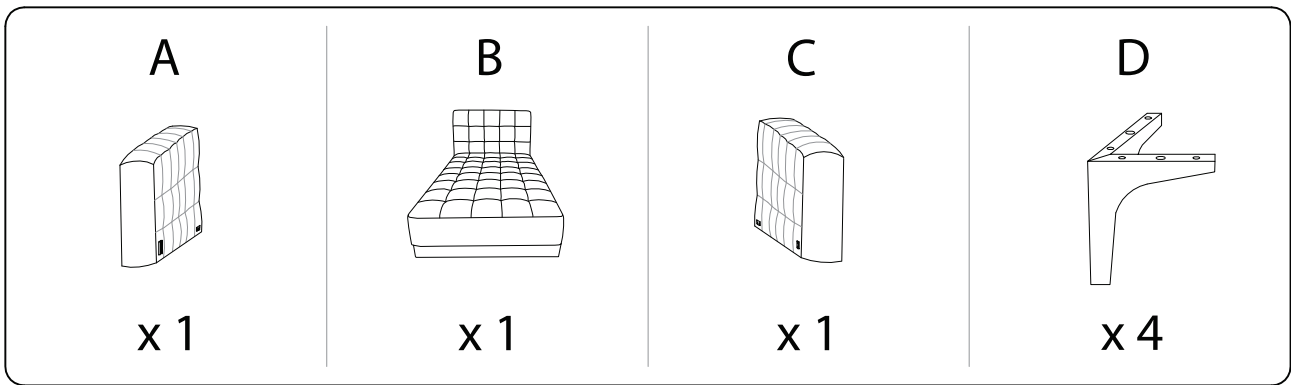

		<p>30'</p>
 		
		<p>2</p>



1

B



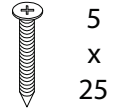
x 1

D

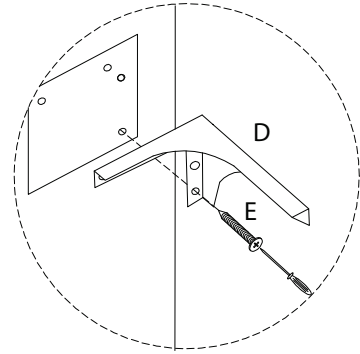
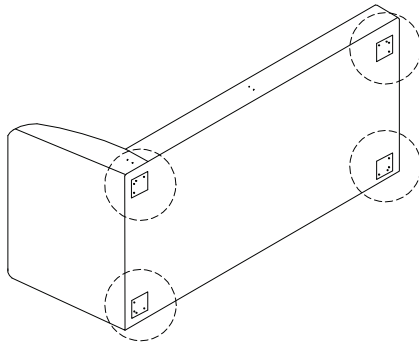


x 4

E



x 16



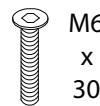
2

F



x 4

G

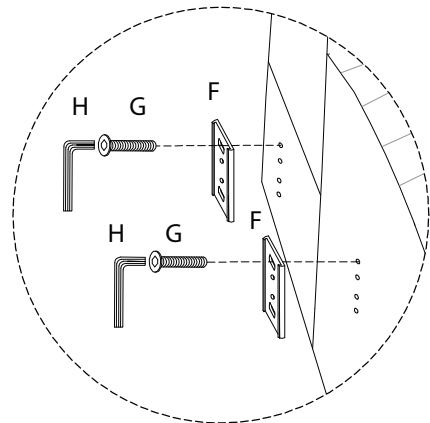
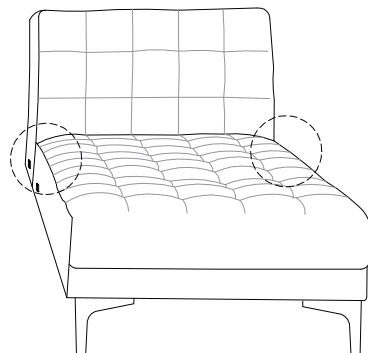


x 8

H



x 1



3

A



x 1

C



x 1

