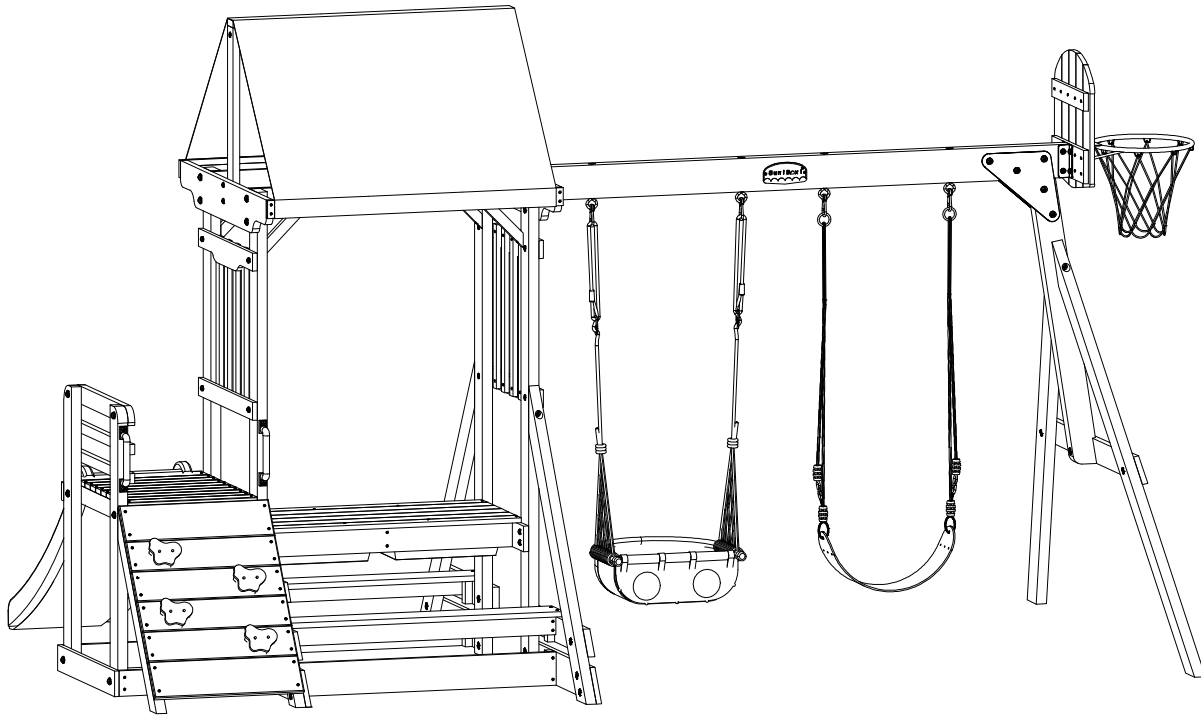


# CL-02

## Assembly Instructions



✉ [service@suniboxi.shop](mailto:service@suniboxi.shop)



**WARNING: CHOKING HAZARD**

*Unassembled parts may be a choking hazard to children 3 years and younger.*



**CAUTION:** *Adult Assembly Required. Hardware contains small pieces with sharp points. Keep parts out of the reach of children until assembled. Parts of this product can present dangers if improperly assembled.*



**CAUTION:** *The plastic bags that contain the hardware may present a choking hazard to small children. Please keep these bags and all plastic bags out of the reach of children. Do not allow children to play with them and dispose of them immediately when empty.*





















### TIPS:

1. *Two people are recommended to install, which will greatly improve your installation efficiency.*
2. *For installation video please scan the QR code below.*



## Safety Checklist for Swing-N-Slide Play Sets and Accessories

**Observing the following statements and warnings reduces the likelihood of serious or fatal injury**

-  This playset has been designed for use by a maximum of five occupants at one time: The swing can be used by 2 people. Total weight is 230 pounds. The maximum weight for a single person is 115 pounds; The seat seats 2 people and has a total weight of 230 pounds. One seat can hold up to 115 pounds. The maximum weight for a single person is 115 pounds; Climbing is for 1 person. The total weight is 115 pounds. The maximum weight for a single person is 115 pounds.
-  This playset is intended for use by children from (3) to (6) years of age.
-  On-site adult supervision for children of all ages is recommended.
-  Instruct children not to walk close to, in front of, behind, or between moving items.
-  Instruct children not to twist swing chains or ropes or loop them over the top support bar since this may reduce the strength of the chain or rope.
-  Instruct children to avoid swinging empty seats.
-  Teach children to sit in the center of the swings with their full weight on the seats.
-  Instruct children not to use the equipment in a manner other than intended.
-  Instruct children not to get off equipment while it is in motion.
-  Do not allow children to wear inappropriate items, such as but not limited to, loose fitting clothing, hood and neck drawstrings, scarves, cord-connected items, capes and ponchos. These items can cause death by strangulation.
-  Instruct children not to climb when the equipment is wet. Slippery surfaces may cause a hazard.
-  Verify that suspended climbing ropes, chain, or cable are secured at both ends.
-  Verify that suspended climbing ropes, chain, or cable cannot be looped back on itself.
-  Instruct children not to attach items to the playground equipment that are not specifically designed for use with the equipment, such as, but not limited to, jump ropes, clothesline, pet leashes, cables and chain as they may cause a strangulation hazard.
-  Instruct children to remove their bike or other sports helmet before playing on the playground equipment.
-  Dress children with well-fitting and full foot enclosing footwear. Examples of inappropriate footwear are clogs, flip flops, and sandals.
-  Instruct children to not walk or run up slides.
-  Instruct children to not pick up slides or ramps as this may cause damage or breakage.
-  Place the equipment on level ground not less than six (6) feet from any obstructions. Be sure to look overhead for any obstructions above the playset.
-  Do not use the equipment until fully erected per this playset instruction manual, bolts tightened and the playset is anchored to the ground.

### **IMPORTANT!**

**This product is intended for single family home/residential use only and not intended for use in any public setting. Placement in any public setting constitutes a misuse of this product.**

# PLAYSET MAINTENANCE

Cosmetic defects that do not affect the structural integrity of the product, or natural defects of wood such as warping, splitting, checking, twisting, shrinkage, swelling or any other physical properties of wood that do not present a safety hazard, are not covered by our warranty.

To help minimize these natural defects we recommend applying a sealer or stain every two or three years, or more often as the climate dictates. Power washing, sanding or other preparatory methods should be used prior to sealing or staining.

Periodic maintenance is required to ensure safe enjoyment of your playset and accessories. Read and follow the Playset Checklist below to reduce the likelihood of serious or fatal injury. Use the checklists as a guide for proper playset care and maintenance.

## PLAYSET CHECKLIST

### At the beginning of each play season:

- Tighten all hardware.
- Lubricate all metallic moving parts per manufacturer's instructions.
- Check all protective coverings on bolts, pipes, edges, and corners. Replace if they are loose, cracked, or missing.
- Check all moving parts including swing seats, ropes, cables, and chains for wear, rust, or other deterioration. Replace as needed.
- Check metal parts for rust. If found, sand and repaint using a nonleaded-based paint meeting the requirements of 16 CFR 1303.
- Check all wood members for deterioration and splinters. Sand down splinters and replace deteriorating wood members.
- Reinstall any plastic parts, such as swing seats or any other items that were removed for the cold season.
- Rake and check depth of loose fill protective surfacing materials to prevent compaction and to maintain appropriate depth. Replace as necessary.

### Twice a month during play season:

- Tighten all hardware.
- Check all protective coverings on bolts, pipes, edges, and corners. Replace if they are loose, cracked, or missing.
- Rake and check depth of loose fill protective surfacing materials to prevent compaction and to maintain appropriate depth. Replace as necessary.

### Once a month during play season:

- Lubricate all metallic moving parts per manufacturer's instructions.
- Check all moving parts including swing seats, ropes, cables, and chains for wear, rust, or other deterioration. Replace as needed.

### At the end of each play season or when the temperature drops below 10°F:

- Remove plastic swing seats, tents, sandbox cover, tire swing, slide and other items as specified by the manufacturer and take indoors or do not use.
- Rake and check depth of loose fill protective surfacing materials to prevent compaction and to maintain appropriate depth. Replace as necessary.
- Owner shall be responsible for maintaining the legibility of warning labels.

When you are ready to dispose of your playset, make sure that all metal, plastic and wood components are disposed of in accordance with local waste ordinances.

Buyer and/or owner should disassemble and dispose of the playground equipment in such a way that no unreasonable hazards will exist at the time the swing set is discarded. Do not burn your playset's preserved wood.

For further information on playground safety, the Consumer Product Safety Commission (CPSC) publishes the Outdoor Home Playground Safety Handbook which can be downloaded for free from [www.cpsc.gov](http://www.cpsc.gov). An additional resource is the American Society of Testing and Materials (ASTM) Standard Consumer Safety Performance Specification for Home Playground Equipment (ASTM F1148) which can be purchased and downloaded from [www.astm.org](http://www.astm.org).

# PLAYGROUND SURFACING MATERIALS

## SECTION 4 OF THE CONSUMER PRODUCT SAFETY COMMISSION'S OUTDOOR HOME PLAYGROUND SAFETY HANDBOOK

### Select Protective Surfacing

One of the most important things you can do to reduce the likelihood of serious head injuries is to install shock-absorbing protective surfacing under and around your play equipment. The protective surfacing should be applied to a depth that is suitable for the equipment height in accordance with ASTM Specification F 1292. There are different types of surfacing to choose from; whichever product you select, follow these guidelines:

**NOTE:** Do not install home playground equipment over concrete, asphalt, or any other hard surface. A fall onto a hard surface can result in serious injury to the equipment user. Grass and dirt are not considered protective surfacing because wear and environmental factors can reduce their shock absorbing effectiveness. Carpeting and thin mats are generally not adequate protective surfacing. Ground level equipment - such as a sandbox, activity wall, playhouse or other equipment that has no elevated play surface - does not need any protective surfacing.

### Maximum fall height for this playset is 61"

#### Loose-Fill Materials:

- Maintain a minimum depth of 9 inches of loose-fill materials such as wood mulch/chips, engineered wood fiber (EWF), or shredded/recycled rubber mulch for equipment up to 8 feet high; and 9 inches of sand or pea gravel for equipment up to 5 feet high.  
**NOTE:** An initial fill level of 12 inches will compress to about a 9- inch depth of surfacing over time. The surfacing will also compact, displace, and settle, and should be periodically refilled to maintain at least a 9- inch depth.
- Use a minimum of 6 inches of protective surfacing for play equipment less than 4 feet in height. If maintained properly, this should be adequate. (At depths less than 6 inches, the protective material is too easily displaced or compacted.)
- Use containment, such as digging out around the perimeter and/or lining the perimeter with landscape edging. Don't forget to account for water drainage.
- Check and maintain the depth of the loose-fill surfacing material. To maintain the right amount of loose-fill materials, mark the correct level on play equipment support posts. That way you can easily see when to replenish and/or redistribute the surfacing.
- Do not install loose fill surfacing over hard surfaces such as concrete or asphalt.

#### Poured-In-Place Surfaces or Pre-Manufactured Rubber Tiles:

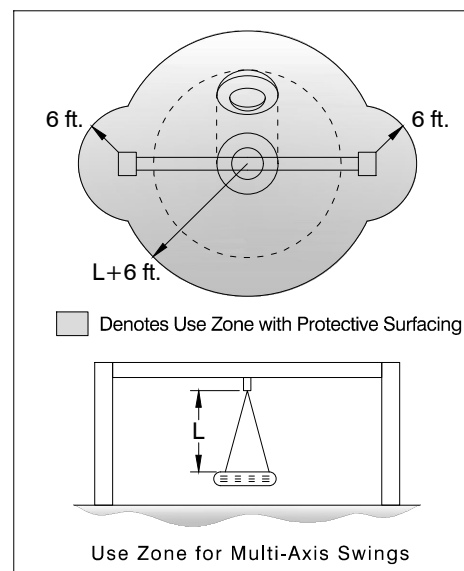
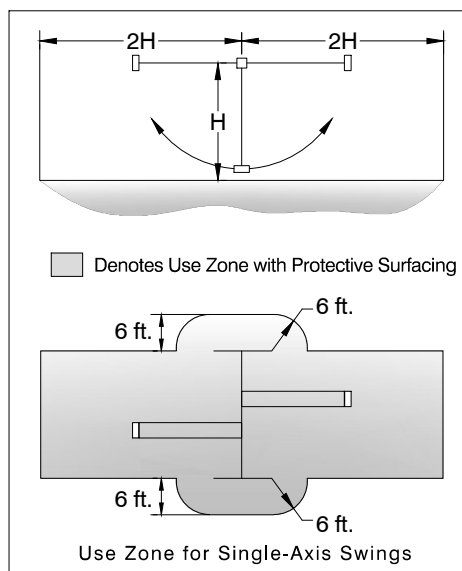
You may be interested in using surfacing other than loose-fill materials - like rubber tiles or poured-in-place surfaces.

- Installations of these surfaces generally require a professional and are not "do-it-yourself" projects.
- Review surface specifications before purchasing this type of surfacing. Ask the installer/manufacturer for a report showing that the product has been tested to the following safety standard: ASTM F 1292 Standard Specification for Impact Attenuation of Surfacing Materials within the Use Zone of Playground Equipment. This report should show the specific height for which the surface is intended to protect against serious head injury. This height should be equal to or greater than the fall height - vertical distance between a designated play surface (elevated surface for standing, sitting, or climbing) and the protective surfacing below - of your play equipment.
- Check the protective surfacing frequently for wear.

#### Placement

Proper placement and maintenance of protective surfacing is essential. Be sure to

- Extend surfacing at least 6 feet from the equipment in all directions.
- For to-fro swings, extend protective surfacing in front of and behind the swing to a distance equal to twice the height of the top bar from which the swing is suspended.
- For tire swings, extend surfacing in a circle whose radius is equal to the height of the suspending chain or rope, plus 6 feet in all directions.



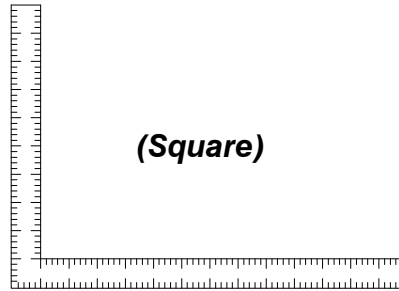
9 This information has been extracted from the CPSC publications "Playground Surfacing-Technical Information Guide" and "Handbook for Public Playground Safety" Copies of these reports can be obtained by sending a postcard to the: Office of Public Affairs, U.S. Consumer Product Safety Commission, Washington DC., 20207 or call the toll-free hotline: 1-800-638-2772

# Tools Required for Installation:

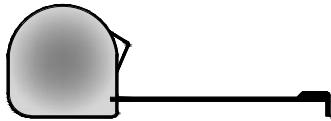
These are the tools that are generally required for assembly of our outdoor products.  
These tools are not included with the outdoor product purchase.)



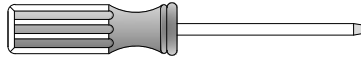
**(Level 24" )**



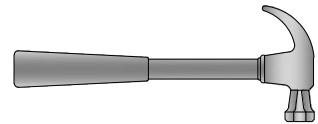
**(Square)**



**(Tape Measure )**



**(Phillips Screw Driver )**



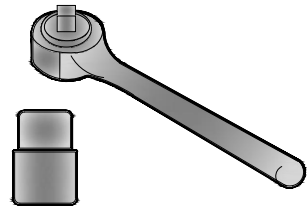
**(Claw Hammer )**



**(Drill Attachments:phillips Head )**



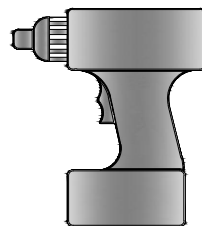
**(Rubber Mallet -Optional )**



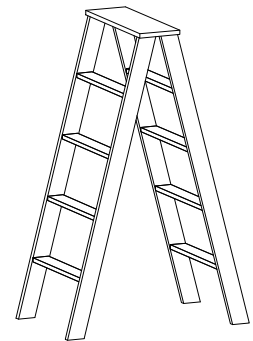
**(3/8" Drive Ratchet,1/2"STD Sockets 1/2" Deep sockets )**



**(An Adult w/ an Adult Helper )**



**(Cordless Drill or Electric Drill )**

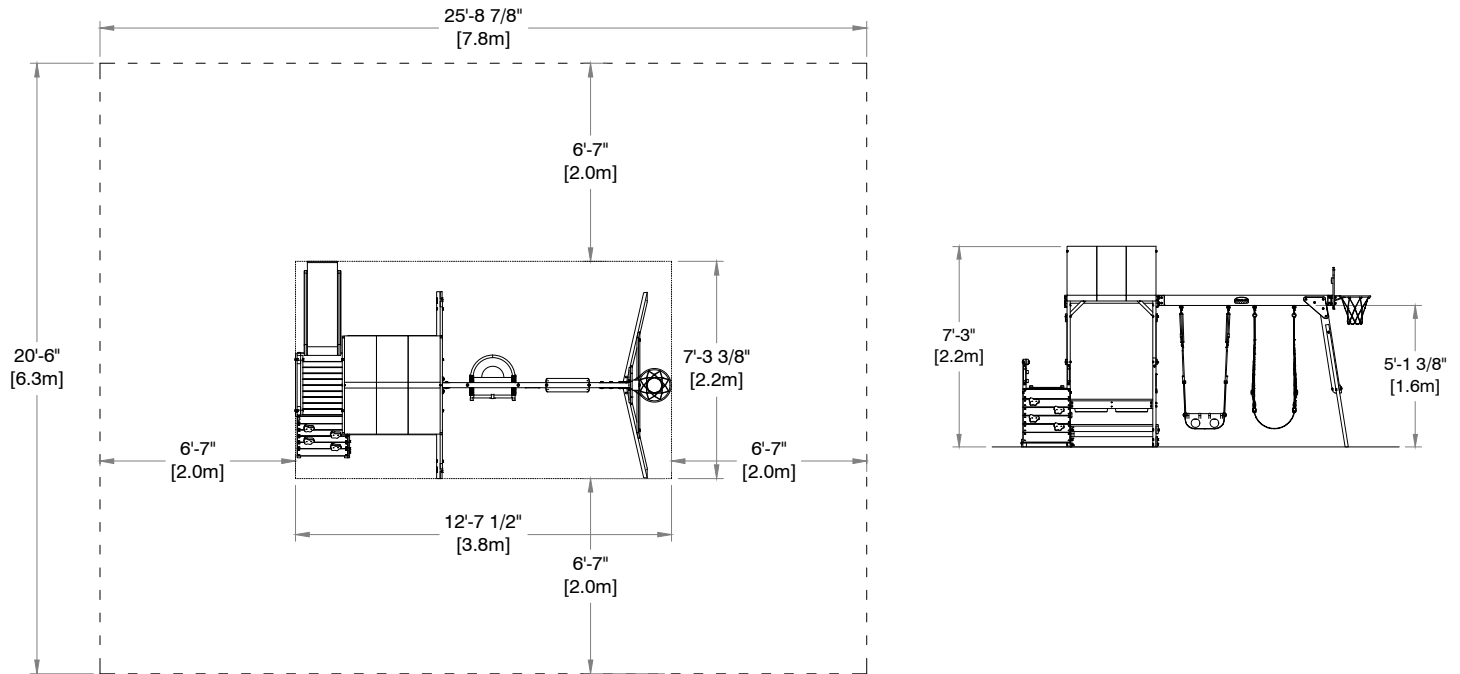


**(Ladder )**

# Basic Setup Dimensions

Place the set on level ground, not less than 6 feet from any structure or obstruction such as a fence, garage, house, overhanging branches, laundry lines or electrical wires.

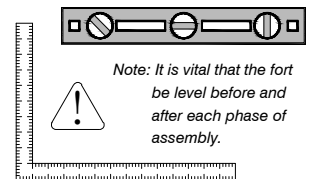
## Recommended Play Area



## Important Assembly Notes

1) **PRE-SORT ALL STEPS BEFORE BEGINNING ASSEMBLY.** Pay close attention to the **ITEMS NEEDED FOR EACH STEP.** Assembly is easier when the wood and hardware are sorted by step.

2) While assembling unit, take time before and after each step to make sure Fort is level. If fort is not level, assembly will be difficult and improper assembly may result. Extra care must be taken to assure the fort is square on the steps that include this symbol.



To prevent board splitting, you must pre-drill each board with a 1/8" drill bit, before attaching

3) When installing a board on the small face of a 2x4, pre-drilling the attachment hole is **REQUIRED.** Using the holes in the board as a guide, drill holes into the 2x4 with an 1/8" drill bit. Failure to pre-drill may result in board splitting.

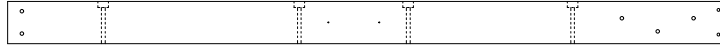
4) Whenever a T-nut is used, follow these directions: Place T-nut in pre-drilled hole. Tap in with hammer. Place bolt with split and flat washers in the opposite side. Hand tighten to make sure the bolt is in the T-nut. **DO NOT** over tighten.

5) Pay close attention to make sure you are using the correct hardware in the correct steps. Using incorrect hardware may result in improper assembly.

6) Read the instructions of each step thoroughly. The written steps may include important information not shown in the illustrations.

# Owner's Manual - Parts Identification

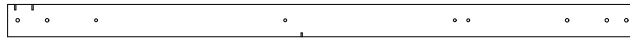
## Wood components (Not to Scale)



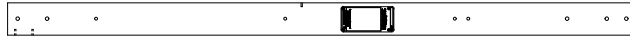
**SP1 | SWING BEAM-W4L12201**  
(×1) | 2"×4 3/8"×75 1/4" (50×112×1910)



**SP2 | SWING BEAM SUPPORT-W4L12202**  
(×1) | 2"×3 3/8"×38 7/8" (50×86×988)



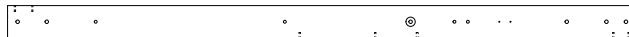
**E1 | LEFT UPRIGHT-W4L12203**  
(×1) | 1 3/8"×3 3/8"×65 3/4" (36×86×1670)



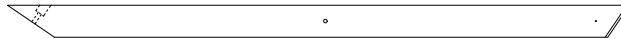
**E2 | LEFT UPRIGHT-W2A03374**  
(×1) | 1 3/8"×3 3/8"×65 3/4" (36×86×1670)



**E3 | RIGHT UPRIGHT-W4L12205**  
(×1) | 1 3/8"×3 3/8"×65 3/4" (36×86×1670)



**E4 | RIGHT UPRIGHT-W4L12206**  
(×1) | 1 3/8"×3 3/8"×65 3/4" (36×86×1670)



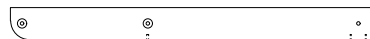
**E5 | ANGLE BRACE-W4L12207**  
(×1) | 1 3/8"×3 3/8"×65" (36×86×1650)



**E6 | ANGLE BRACE-W4L12208**  
(×1) | 1 3/8"×3 3/8"×65" (36×86×1650)



**E7 | ANGLE BRACE-W4L12209**  
(×2) | 1 3/8"×3 3/8"×46 1/4" (36×86×1176)



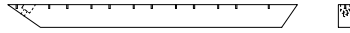
**E8 | LATERAL POST-W4L12210**  
(×1) | 1 3/8"×3 3/8"×38" (36×86×965)



**E9 | LATERAL POST-W4L12211**  
(×1) | 1 3/8"×3 3/8"×38" (36×86×965)

# Owner's Manual - Parts Identification

## Wood components (Not to Scale)



**F1** | **CLIMBING SUPPORT-W4L12212**  
(×1) |  $1\ 3/8" \times 2\ 3/8" \times 30\ 1/4"$  (36×60×768)



**F2** | **CLIMBING SUPPORT-W4L12213**  
(×1) |  $1\ 3/8" \times 2\ 3/8" \times 30\ 1/4"$  (36×60×768)



**F3** | **BANISTER-W4L12223**  
(×1) |  $1\ 3/8" \times 2\ 3/8" \times 20\ 1/2"$  (36×60×520)



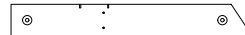
**G1** | **TOP BRACE-W4L12214**  
(×1) |  $1" \times 5\ 1/4" \times 38\ 1/4"$  (24×134×970)



**G2** | **TOP BRACE-W4L12215**  
(×1) |  $1" \times 5\ 1/4" \times 38\ 1/4"$  (24×134×970)



**H2** | **LATERAL PLATE-W4L12216**  
(×1) |  $1" \times 3\ 3/8" \times 25\ 1/4"$  (24×86×640)



**H3** | **LATERAL PLATE-W4L12217**  
(×1) |  $1" \times 3\ 3/8" \times 25\ 1/4"$  (24×86×640)



**H1** | **SMALL STRAIGHT-W4L12218**  
(×1) |  $1" \times 3\ 3/8" \times 9"$  (24×86×230)



**J1** | **TOP HORIZONTAL -W4L12219**  
(×1) |  $1" \times 2\ 3/8" \times 38\ 5/8"$  (24×60×980)



**J4** | **PLATFORM RAIL-W4L12220**  
(×2) |  $1" \times 2\ 3/8" \times 24"$  (24×60×610)



**J3** | **BANISTER TOP-W4L12221**  
(×1) |  $1" \times 2\ 3/8" \times 24"$  (24×60×610)



**J2** | **CEILING SUPPORT-W4L12222**  
(×2) |  $1" \times 2\ 3/8" \times 23\ 5/8"$  (24×60×600)

# Owner's Manual - Parts Identification

## Wood components (Not to Scale)



**T2 | RAILING-W4L12224**  
(x2) | 1"×1 3/8"×24" (24×34×610)



**T1 | CONSOLIDATE-W4L12225**  
(x4) | 1"×1 3/8"×13" (24×34×330)



**T3 | SUPPORT STRIP-W4L12226**  
(x3) | 1"×1 3/8"×4 3/8" (24×34×112)



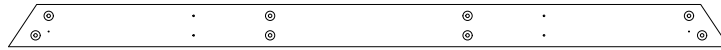
**T4 | SUPPORT STRIP-W4L12227**  
(x2) | 1"×1 3/8"×3 3/8" (24×34×86)



**T5 | SUPPORT STRIP-W4L12253**  
(x1) | 1"×1 3/8"×3 3/8" (24×34×86)



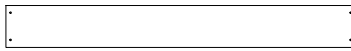
**D1 | CHAIR PANEL -W4L12228**  
(x2) | 3/4"×5 1/4"×38 1/8" (19×134×969)



**X1 | GROUND BOARD-W4L12229**  
(x1) | 3/4"×4 3/8"×75 1/4" (19×112×1910)



**X2 | BOTTOM BOARD-W4L12230**  
(x1) | 3/4"×4 3/8"×49" (19×112×1244)



**X3 | GROUND BOARD-W4L12231**  
(x2) | 3/4"×4 3/8"×36 1/2" (19×112×926)



**W2 | END SUPPORT-W4L12232**  
(x1) | 3/4"×3 3/8"×42 3/4" (19×86×1085)



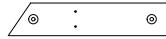
**W1 | TOP FIXING -W4L12233**  
(x2) | 3/4"×3 3/8"×38 5/8" (19×86×980)



**W3 | MIDDLE SLIVER-W4L12234**  
(x2) | 3/4"×3 3/8"×34 3/8" (19×86×873)

# Owner's Manual - Parts Identification

## Wood components (Not to Scale)



**W4 | LOWER STOP-W4L12236**  
(x1)  $3/4" \times 3 \ 3/8" \times 16 \ 3/4"$  (19×86×424)



**W5 | JOE BLOCK-W4L12238**  
(x1)  $3/4" \times 3 \ 3/8" \times 5 \ 1/4"$  (19×86×134)



**K1 | CLIMBING BOARD-W4L12239**  
(x2)  $5/8" \times 5 \ 1/4" \times 20 \ 1/2"$  (16×134×520)



**L1 | CLIMBING BOARD-W4L12240**  
(x4)  $5/8" \times 4 \ 3/8" \times 20 \ 1/2"$  (16×112×520)



**M2 | BOTTOM STRAIGHT-W4L12241**  
(x1)  $5/8" \times 3 \ 3/8" \times 25 \ 1/4"$  (16×86×642)



**M1 | BANISTER-W4L12242**  
(x2)  $5/8" \times 3 \ 3/8" \times 24"$  (16×86×610)



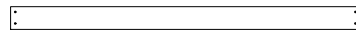
**M3 | BOTTOM CROSS-W4L12243**  
(x2)  $5/8" \times 3 \ 3/8" \times 20 \ 1/2"$  (16×86×520)



**M4 | SLIDE RETAINING PLATE-W4L12244**  
(x1)  $5/8" \times 3 \ 3/8" \times 17 \ 3/4"$  (16×86×450)



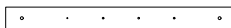
**N1 | TOP LATERAL -W4L12245**  
(x2)  $5/8" \times 2 \ 3/8" \times 40 \ 1/2"$  (16×60×1028)



**N4 | DAMPER -W4L12346**  
(x2)  $5/8" \times 2 \ 3/8" \times 36 \ 1/2"$  (16×60×926)



**N2 | DESKTOP SLIVER-W4L12247**  
(x2)  $5/8" \times 2 \ 3/8" \times 35 \ 7/8"$  (16×60×910)



**N3 | BANISTER -W4L12248**  
(x2)  $5/8" \times 2 \ 3/8" \times 24"$  (16×60×610)

# Owner's Manual - Parts Identification

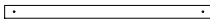
## Wood components (Not to Scale)



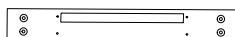
**N5 | PLATFORM PLATE -W4L12249**  
(×9) |  $5/8'' \times 2 \ 3/8'' \times 17 \ 3/4''$  (16×60×450)



**N6 | DIAGONAL BRACING -W4L12250**  
(×1) |  $5/8'' \times 2 \ 3/8'' \times 11 \ 5/8''$  (16×60×301)



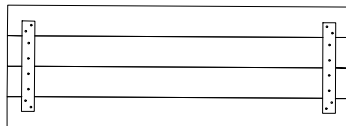
**O1 | RAILING-W4L12251**  
(×8) |  $5/8'' \times 1 \ 3/8'' \times 21 \ 5/8''$  (16×34×551)



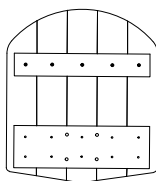
**P1 | BILATERAL BRACE-W2A03370**  
(×2) |  $1 \ 1/4'' \times 3 \ 3/8'' \times 24''$  (30×86×610)



**P2 | FIXATION -W2A03371**  
(×1) |  $1 \ 5/8'' \times 3 \ 3/8'' \times 12 \ 3/4''$  (43×86×335)



**FP1 | TABLETOP -W2A03372**  
(×1) |  $1 \ 1/8'' \times 12 \ 3/4'' \times 35 \ 3/4''$  (28×323×909)



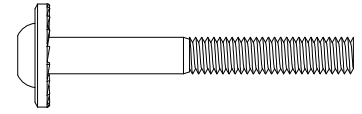
**FP2 | BASKETBALL SHELF-W2A03373**  
(×1) |  $1 \ 1/4'' \times 15 \ 3/4'' \times 18''$  (32×400×459)

# Owner's Manual - Parts Identification

## Hardware components



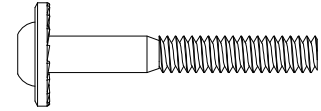
**H100024 | BOLT WH**  
(x1) | 5/16×4-1/4



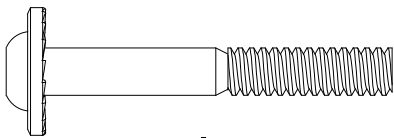
**H100117 | BOLT WH**  
(x18) | 1/4×2



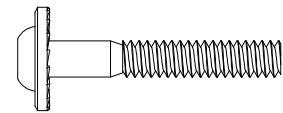
**H100030 | BOLT WH**  
(x1) | 5/16×3-1/2



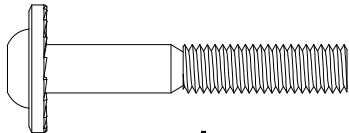
**H100119 | BOLT WH**  
(x4) | 1/4×1-3/4



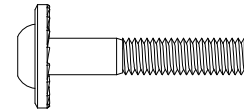
**H100040 | BOLT WH**  
(x16) | 5/16×2-1/4



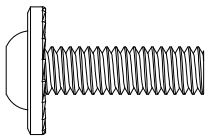
**H100121 | BOLT WH**  
(x4) | 1/4×1-1/2



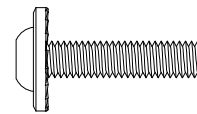
**H100042 | BOLT WH**  
(x29) | 5/16×2



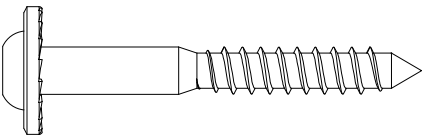
**H100123 | BOLT WH**  
(x4) | 1/4×1-1/4



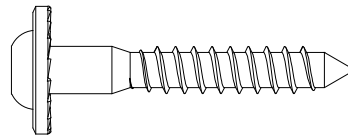
**H100050 | BOLT WH**  
(x4) | 5/16×1



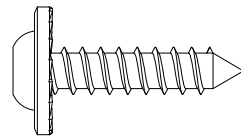
**H100125 | BOLT WH**  
(x12) | 1/4×1



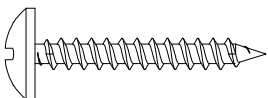
**H100213 | LAG SCREW WH**  
(x2) | 5/16×2-1/2



**H100217 | LAG SCREW WH**  
(x4) | 5/16×2



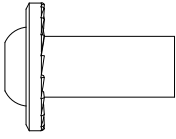
**H100223 | LAG SCREW WH**  
(x4) | 5/16×1-1/4



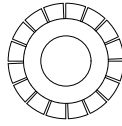
**H100433 | SCREW PWH**  
(x4) | 1/4×1-1/2

# Owner's Manual - Parts Identification

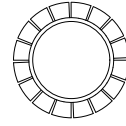
## Hardware components



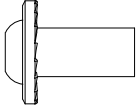
**H100601** | **NUT BARREL WH**  
(x10) | 5/16x7/8



**H100901** | **WASHER LOCK EXT**  
(x57) | 8x19



**H100801** | **WASHER LOCK EXT**  
(x10) | 12x19



**H100701** | **NUT BARREL WH**  
(x6) | 1/4x5/8



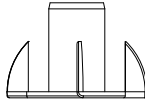
**H100902** | **WASHER LOCK EXT**  
(x38) | 6x15



**H100802** | **WASHER LOCK EXT**  
(x6) | 8x15



**H100511** | **SCREW PFH**  
(x10) | 8x1-3/4



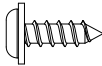
**H101001** | **T-NUT**  
(x41) | 5/16



**H101002** | **T-NUT**  
(x36) | 1/4



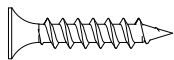
**H100513** | **SCREW PFH**  
(x136) | 8x1-1/2



**H100421** | **SCREW PWH**  
(x6) | 1/4x1/2



**H100260** | **SCREW PWH**  
(x2) | 4x1/2



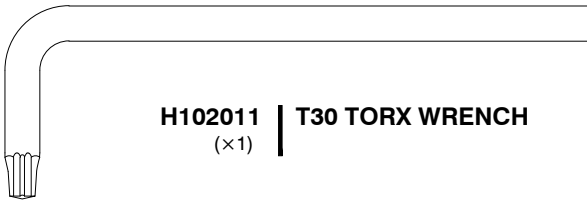
**H100516** | **SCREW PFH**  
(x16) | 8x1-1/8



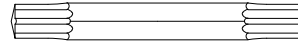
**A100168** | **ID TAG**  
(x1)

# Owner's Manual - Parts Identification

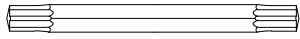
## Accessory components(Not to Scale)



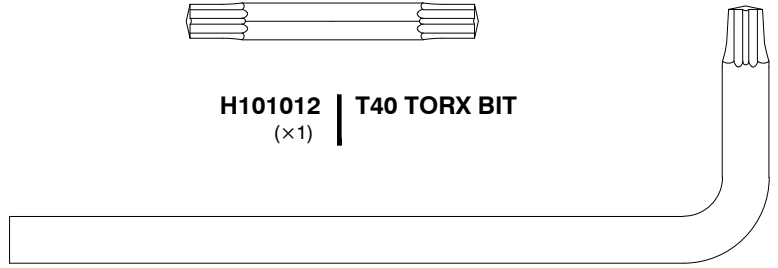
**H102011 | T30 TORX WRENCH**  
(x1)



**H101012 | T40 TORX BIT**  
(x1)



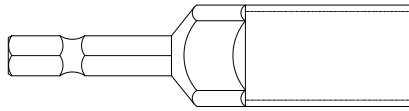
**H102012 | T30 TORX BIT**  
(x1)



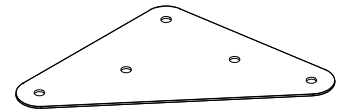
**H101011 | T40 TORX WRENCH**  
(x1)



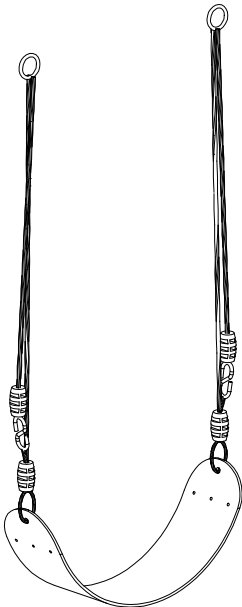
**H102031 | PHILLIPS HEAD**  
(x1)



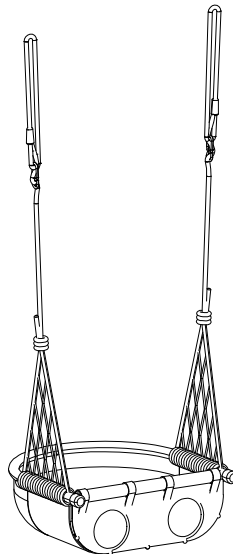
**H102032 | MAGNETIC DRIVER**  
(x1)



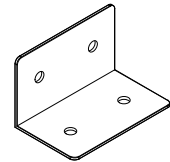
**A100101 | PLATE 5 HOLE**  
(x2) 2.5×237×270



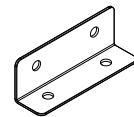
**A100201 | SWING SEAT YELLOW 26"**  
(x1)



**A100301 | BABY SEAT**  
(x1)



**A100102 | L BRACKET**  
(x2) 2.5×67×67×110



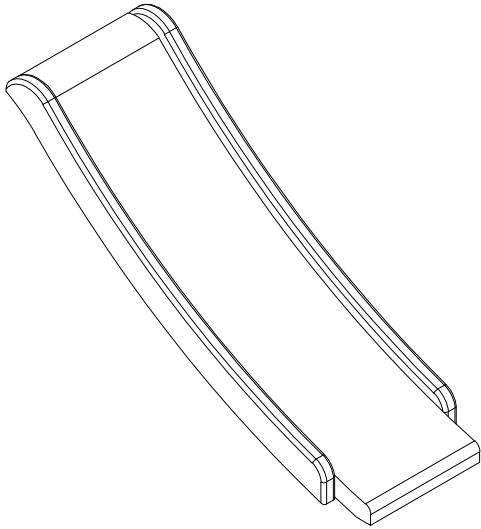
**A100103 | L BRACKET**  
(x2) 2×30×40×110



**A100106 | L BRACKET**  
(x2) 2×40×40×30

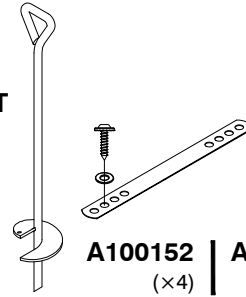
# Owner's Manual - Parts Identification

## Accessory components(Not to Scale)

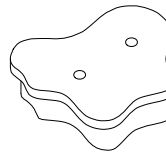


**A100601** | **FT SLIDE RAIL**  
(x1)

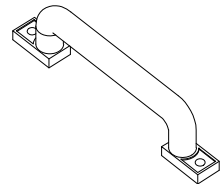
**A100151** | **ANCHOR-IT**  
(x4)



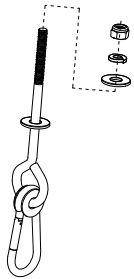
**A100152** | **ANCHOR-IT STRAP**  
(x4)



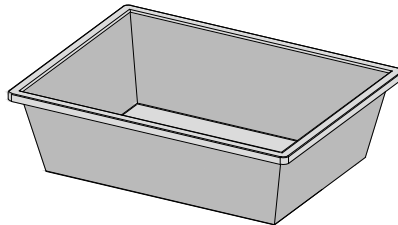
**A100130** | **HC ROCK**  
(x4)



**A100131** | **HANDRAIL YELLOW**  
(x2)



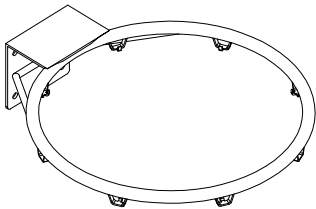
**A100153** | **SWING HANGER**  
(x4)



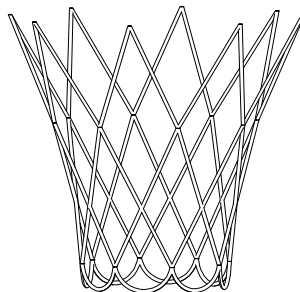
**A100133** | **PLASTIC CONTAINERS**  
(x2) | (120×325×425)



**A100501** | **SHED CLOTH**  
(x1) | (2×980×1739)

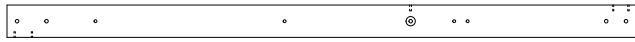


**A100135** | **BASKETBALL FRAME**  
(x1)

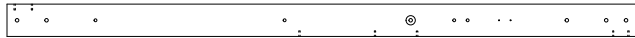


**A100136** | **BASKETBALL NET**  
(x1)

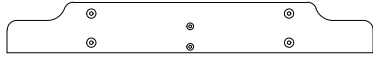
# STEP 1



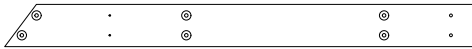
**E3 | RIGHT UPRIGHT-W4L12205**  
(x1) 1 3/8" x 3 3/8" x 65 3/4" (36 x 86 x 1670)



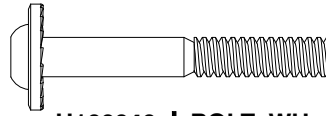
**E4 | RIGHT UPRIGHT-W4L12206**  
(x1) 1 3/8" x 3 3/8" x 65 3/4" (36 x 86 x 1670)



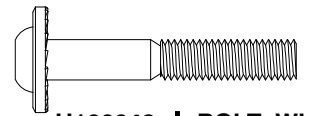
**G2 | TOP BRACE-W4L12215**  
(x1) 1" x 5 1/4" x 38 1/4" (24 x 134 x 970)



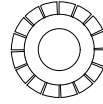
**X2 | BOTTOM BOARD-W4L12230**  
(x1) 3/4" x 4 3/8" x 49" (19 x 112 x 1244)



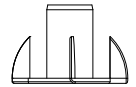
**H100040 | BOLT WH**  
(x4) 5/16 x 2-1/4



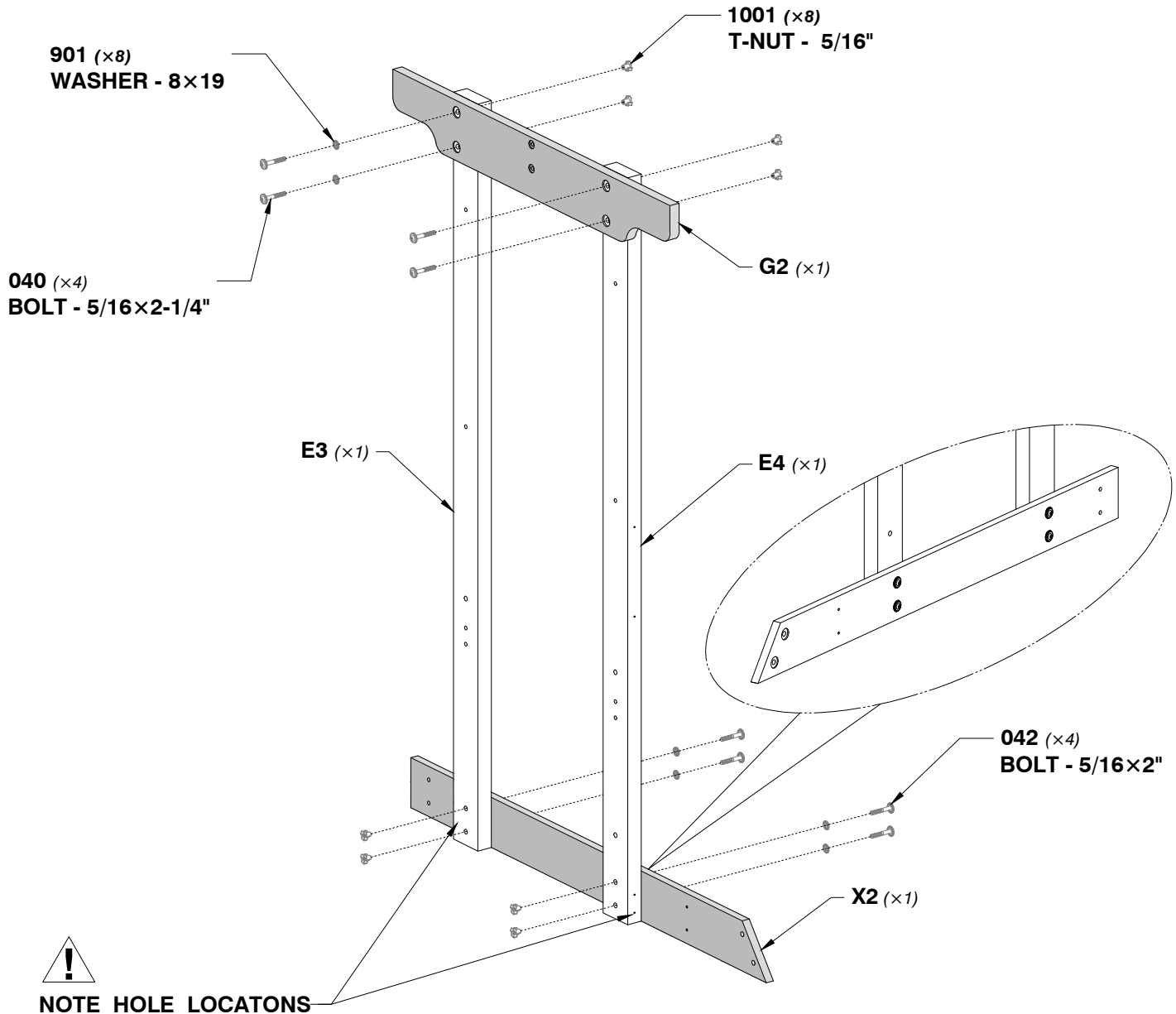
**H100042 | BOLT WH**  
(x4) 5/16 x 2



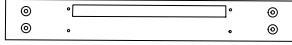
**H100901 | WASHER LOCK**  
(x8) EXT  
8 x 19



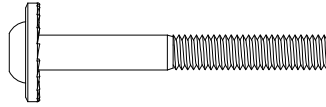
**H101001 | T-NUT**  
(x8) 5/16



# STEP 2



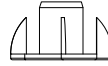
**P1 | BILATERAL BRACE-W2A03370**  
(x1) | 1 1/4" x 3 3/8" x 24" (30 x 86 x 610)



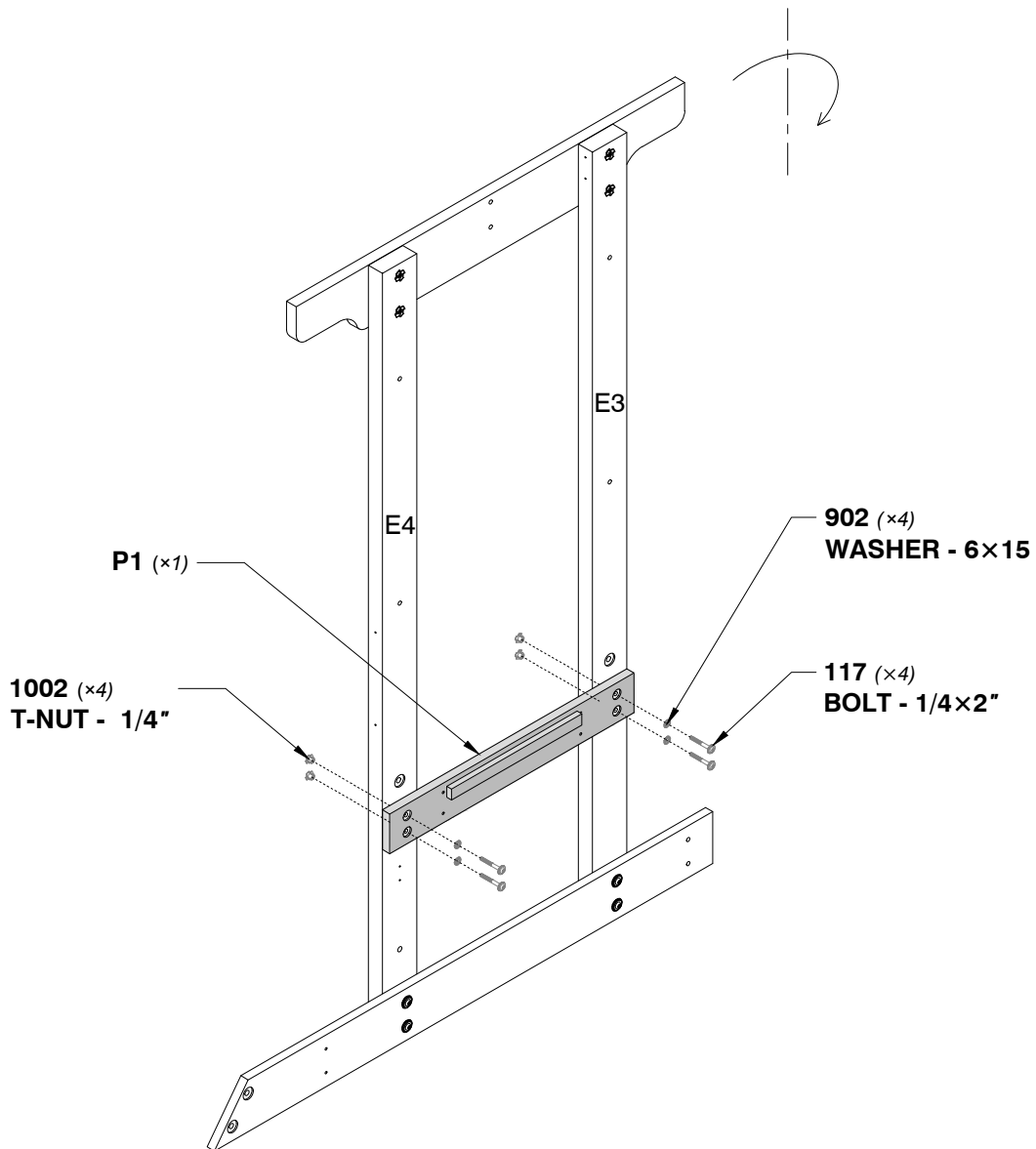
**H100117 | BOLT WH**  
(x4) | 1/4 x 2



**H100902 | WASHER LOCK  
EXT**  
(x4) | 6 x 15



**H101002 | T-NUT**  
(x4) | 1/4

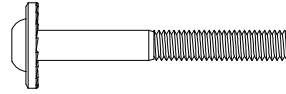


# STEP 3

**O1** | **RAILING-W4L12251**  
 (×4) | 5/8"×1 3/8"×21 5/8" (16×34×551)

**M1** | **BANISTER-W4L12242**  
 (×1) | 5/8"×3 3/8"×24" (16×86×610)

**N3** | **BANISTER -W4L12248**  
 (×1) | 5/8"×2 3/8"×24" (16×60×610)



**H100117** | **BOLT WH**  
 (×4) | 1/4×2



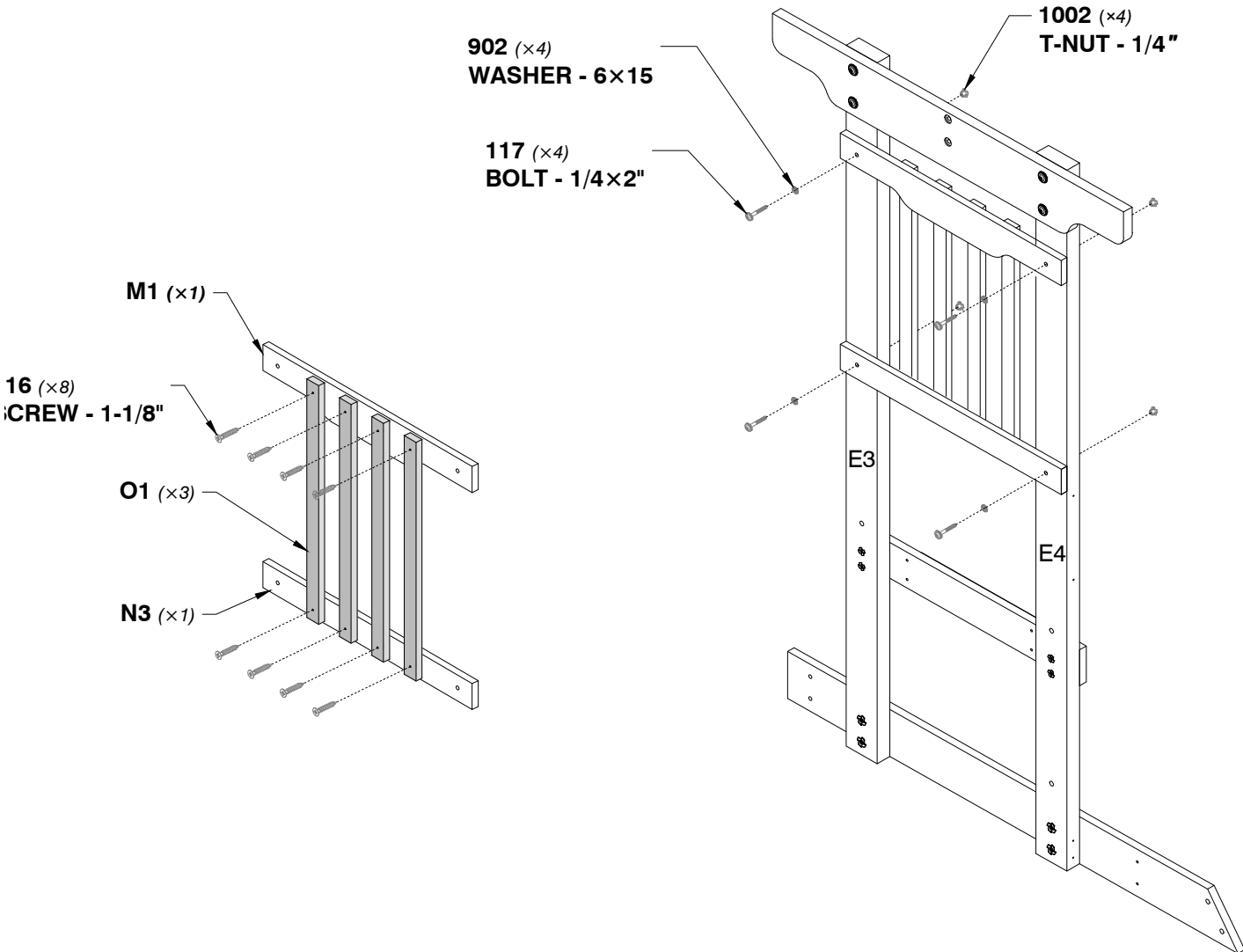
**H100902** | **WASHER LOCK**  
 (×4) | **EXT**  
 6×15



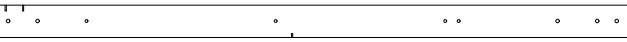
**H101002** | **T-NUT**  
 (×4) | 1/4



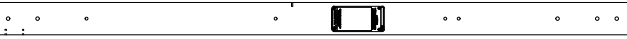
**H100516** | **SCREW PWH**  
 (×8) | 8×1-1/8



# STEP 4



**E1 | LEFT UPRIGHT-W4L12203**  
(x1) | 1 3/8" x 3 3/8" x 65 3/4" (36 x 86 x 1670)



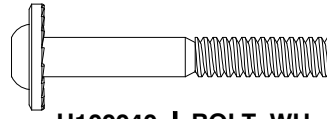
**E2 | LEFT UPRIGHT-W2A03374**  
(x1) | 1 3/8" x 3 3/8" x 65 3/4" (36 x 86 x 1670)



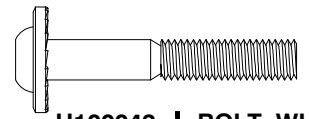
**X1 | GROUND BOARD-W4L12229**  
(x1) | 3/4" x 4 3/8" x 75 1/4" (19 x 112 x 1910)



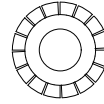
**G1 | TOP BRACE-W4L12214**  
(x1) | 1" x 5 1/4" x 38 1/4" (24 x 134 x 970)



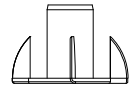
**H100040 | BOLT WH**  
(x4) | 5/16 x 2-1/4



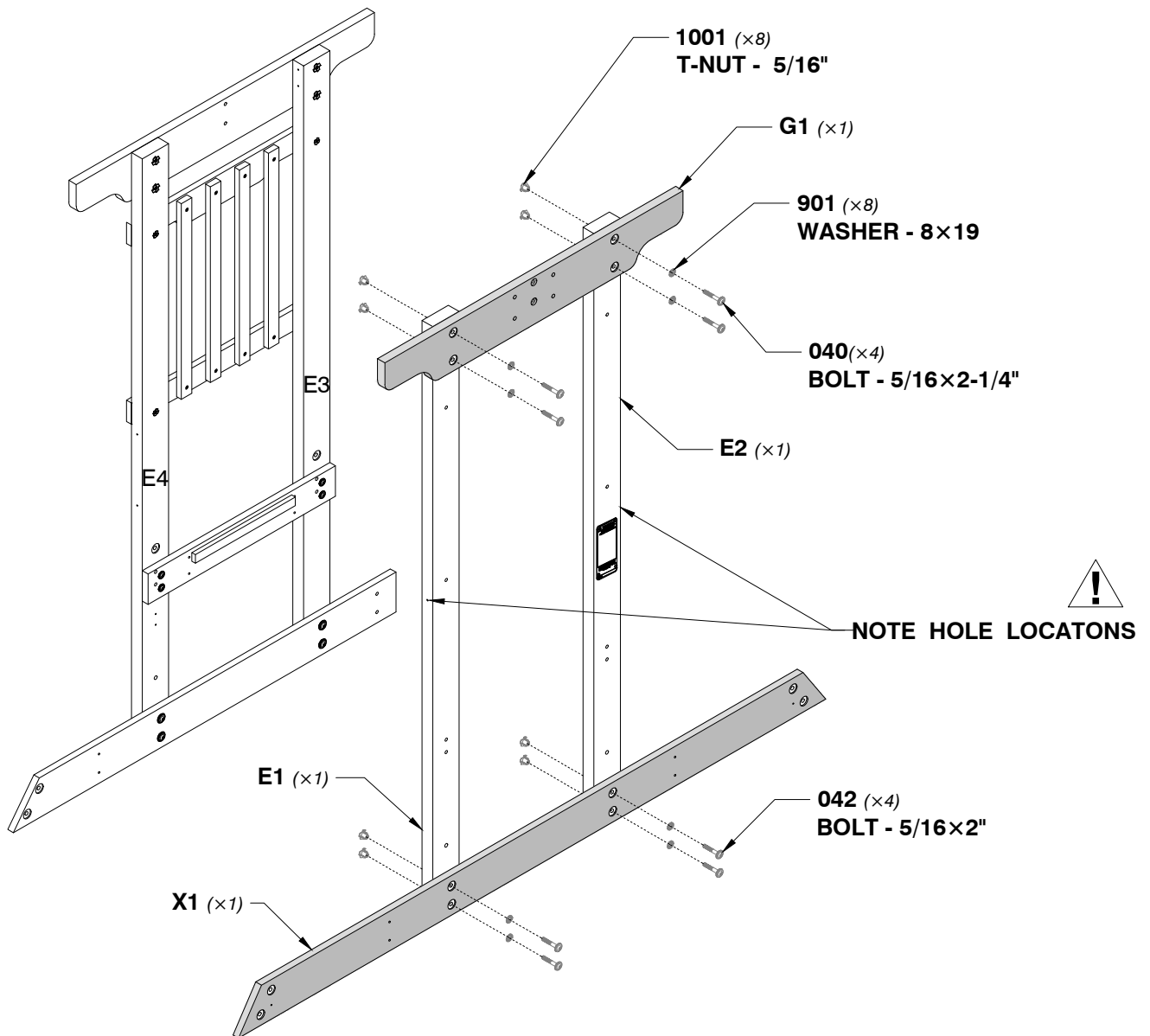
**H100042 | BOLT WH**  
(x4) | 5/16 x 2



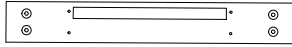
**H100901 | WASHER LOCK EXT**  
(x8) | 8 x 19



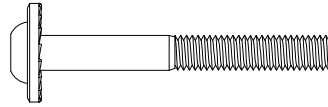
**H101001 | T-NUT**  
(x8) | 5/16



# STEP 5



**P1** | **BILATERAL BRACE-W2A03370**  
(x1) | 1 1/4" x 3 3/8" x 24" (30 x 86 x 610)



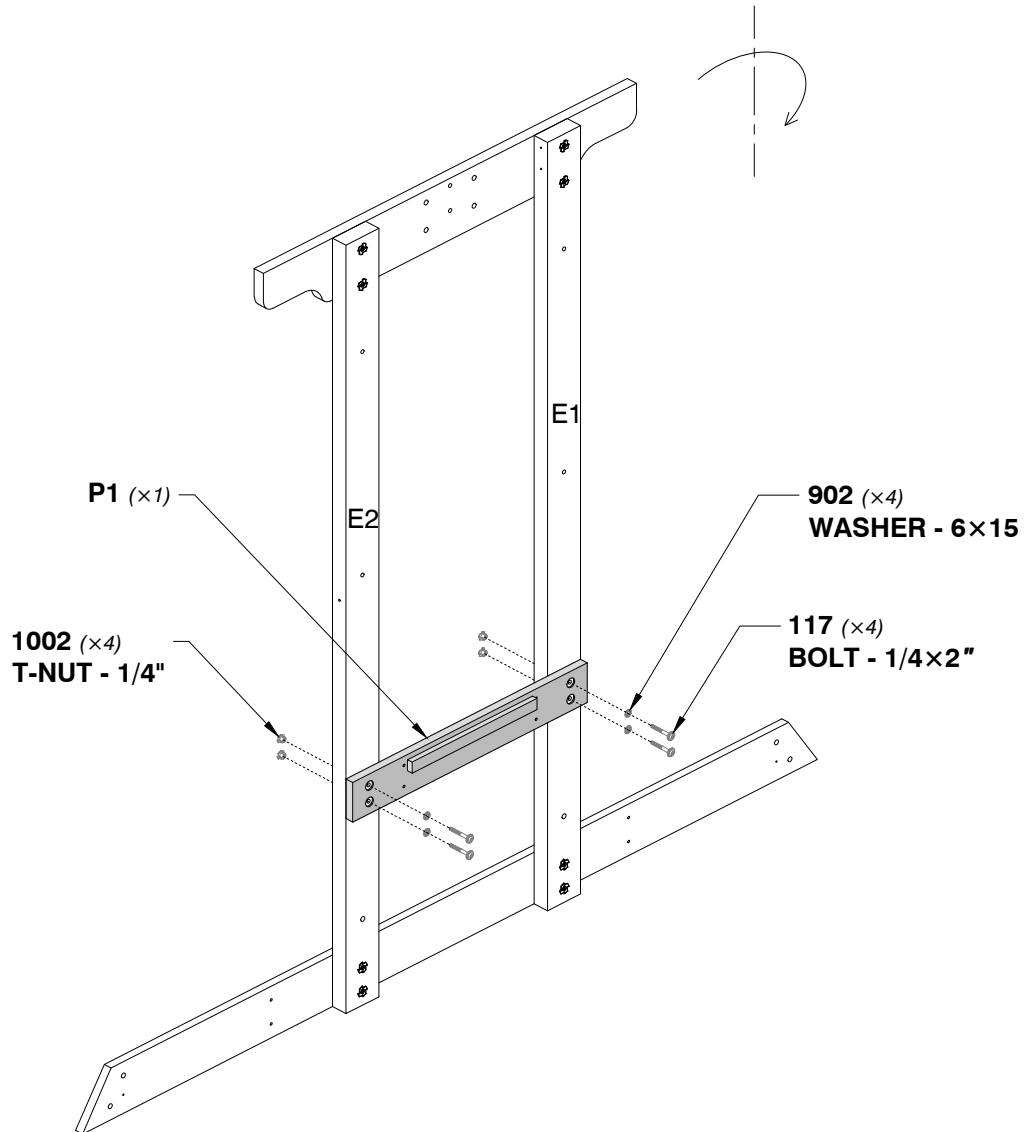
**H100117** | **BOLT WH**  
(x4) | 1/4 x 2



**H100902** | **WASHER LOCK**  
(x4) | **EXT**  
6 x 15

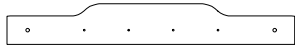


**H101002** | **T-NUT**  
(x4) | 1/4

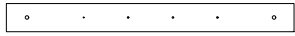


# STEP 6

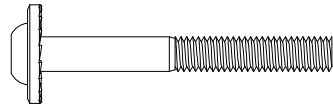
**O1 | RAILING-W4L12251**  
 (×4) | 5/8"×1 3/8"×21 5/8" (16×34×551)



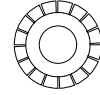
**M1 | BANISTER-W4L12242**  
 (×1) | 5/8"×3 3/8"×24" (16×86×610)



**N3 | BANISTER -W4L12248**  
 (×1) | 5/8"×2 3/8"×24" (16×60×610)



**H100117 | BOLT WH**  
 (×4) | 1/4×2



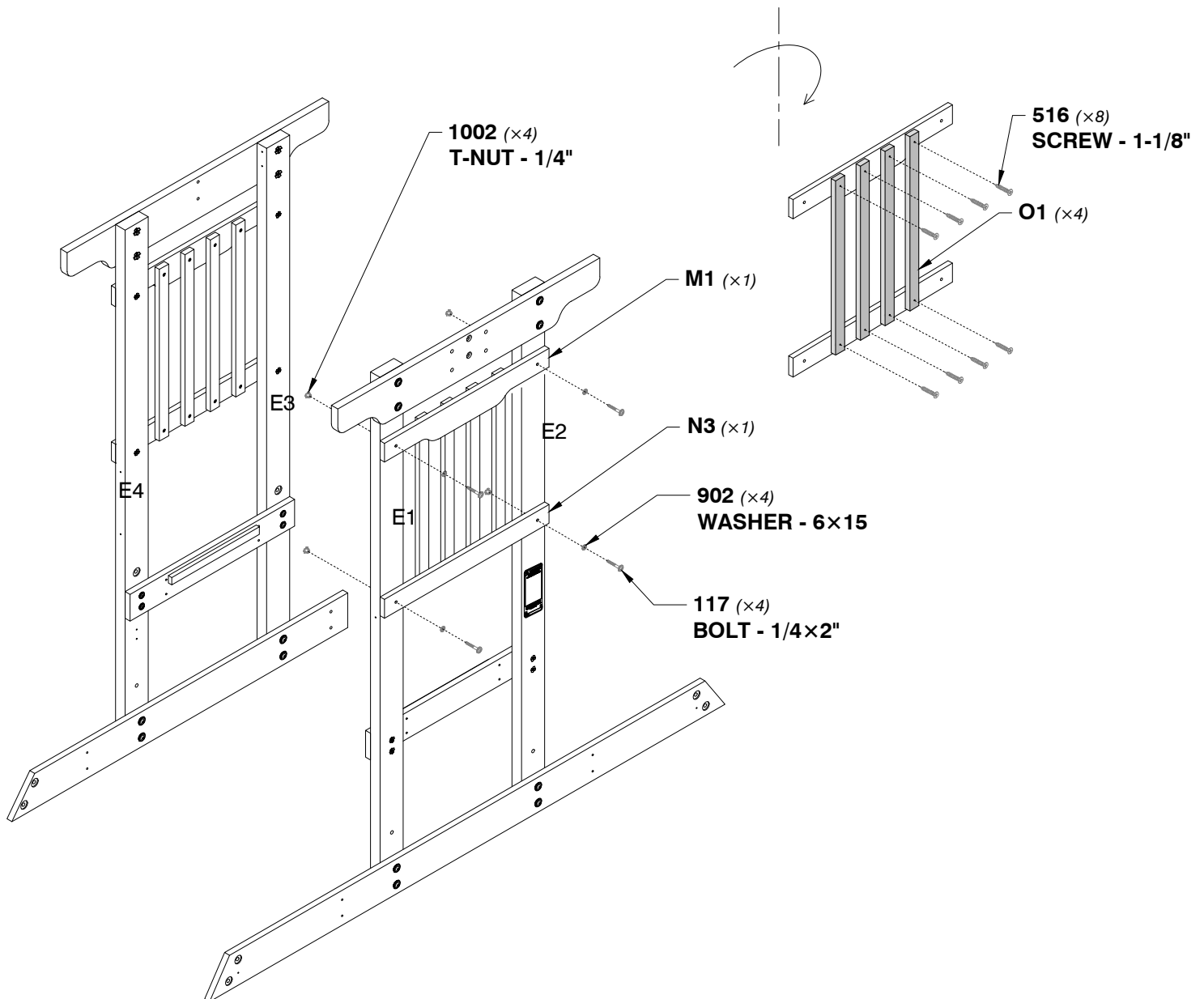
**H100902 | WASHER LOCK EXT**  
 (×4) | 6×15



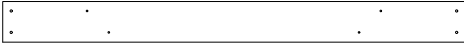
**H101002 | T-NUT**  
 (×4) | 1/4



**H100516 | SCREW PWH**  
 (×8) | 8×1-1/8



# STEP 7



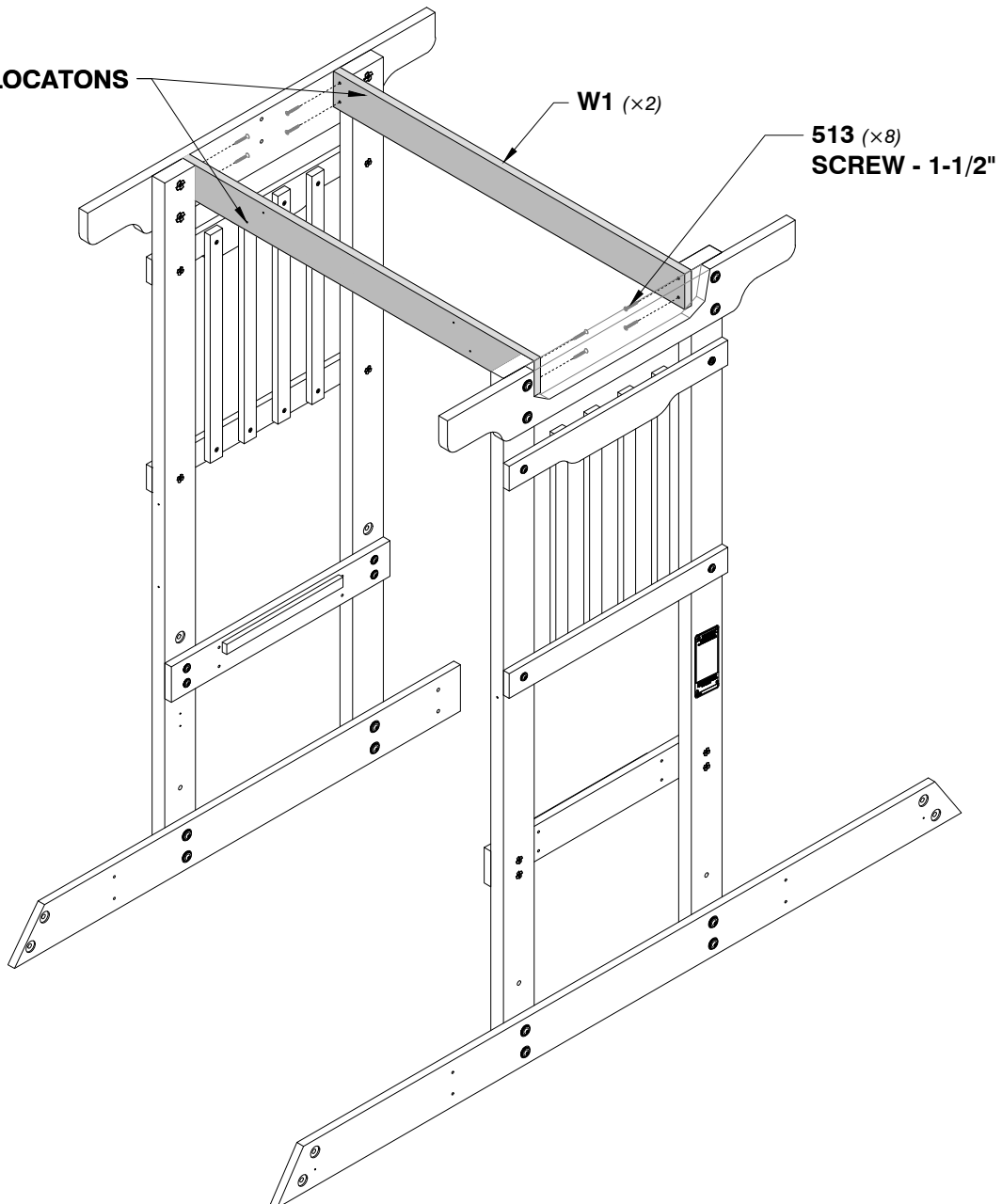
**W1 | TOP FIXING -W4L12233**  
(×2) 3/4"×3 3/8"×38 5/8" (19×86×980)



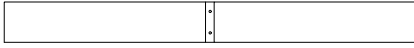
**H100513 | SCREW PWH**  
(×8) 8×1-1/2



**NOTE HOLE LOCATIONS  
ALL PLACE.**



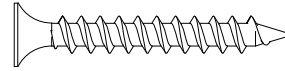
# STEP 8



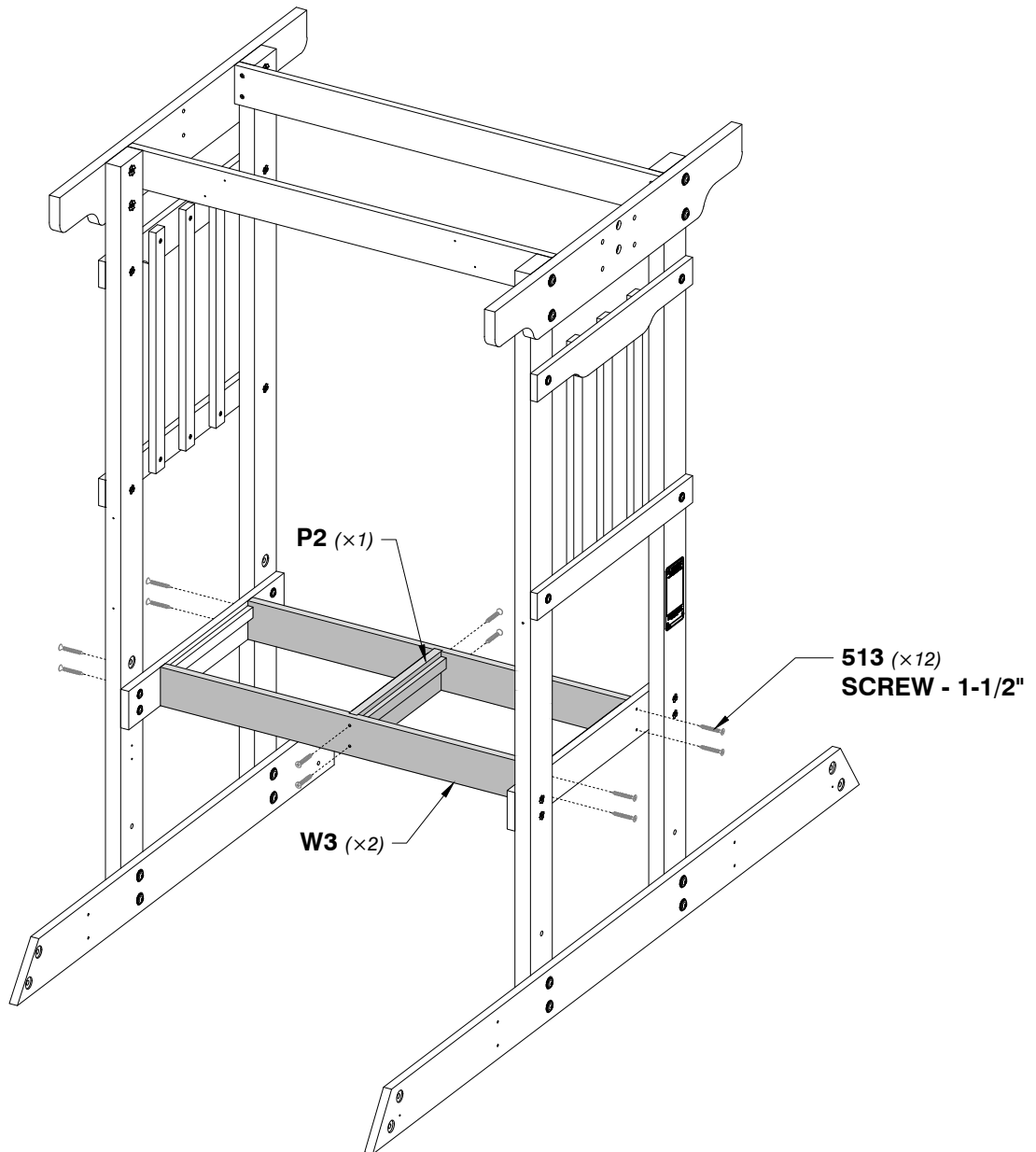
**W3 | MIDDLE SLIVER-W4L12234**  
(×2) | 3/4"×3 3/8"×34 3/8" (19×86×873)



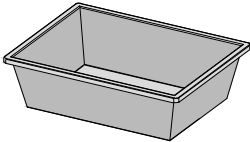
**P2 | FIXATION -W2A03371**  
(×1) | 1 5/8"×3 3/8"×12 3/4" (43×86×335)



**H100513 | SCREW PWH**  
(×12) | 8×1-1/2

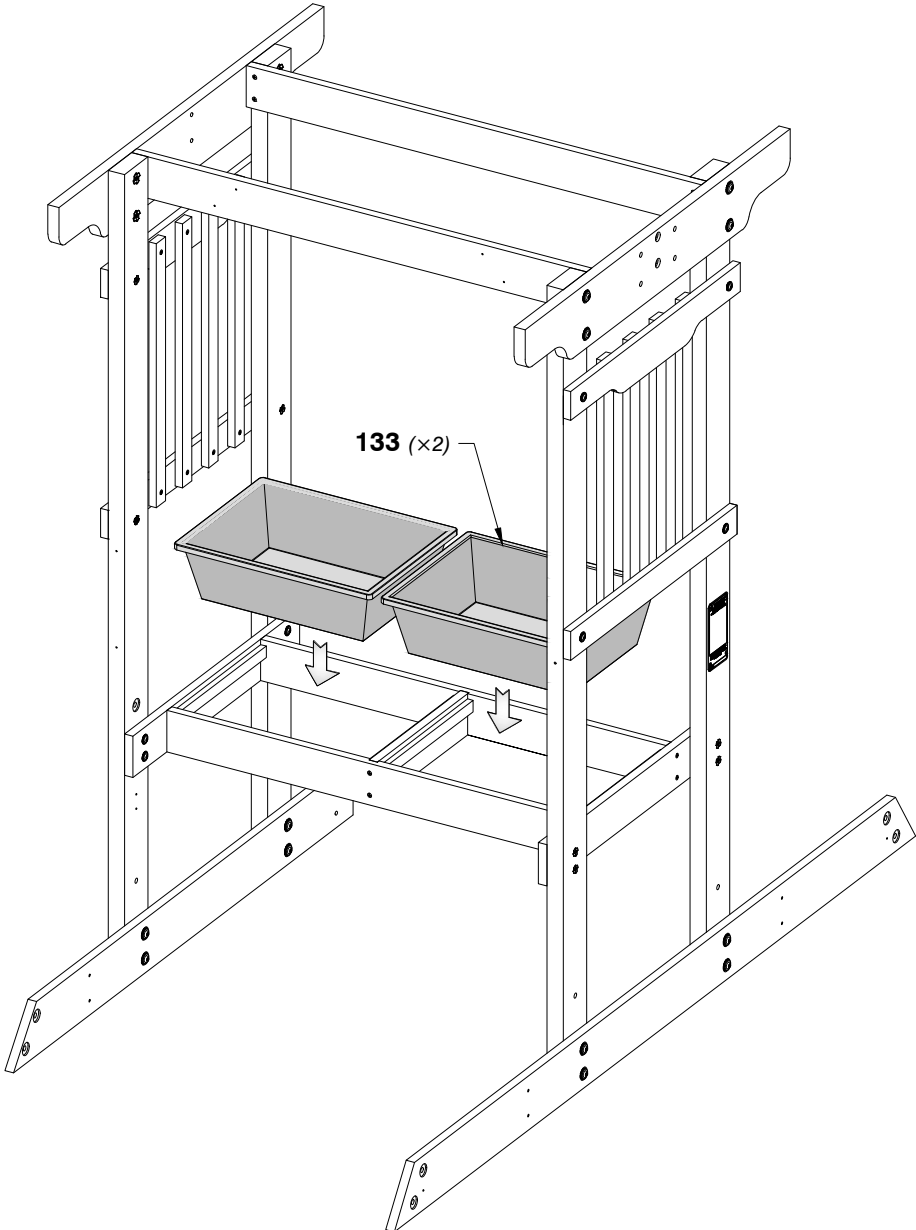


# STEP 9

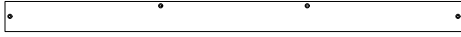


**A100133 | PLASTIC CONTAINERS**

(×2) | (120×325×425)



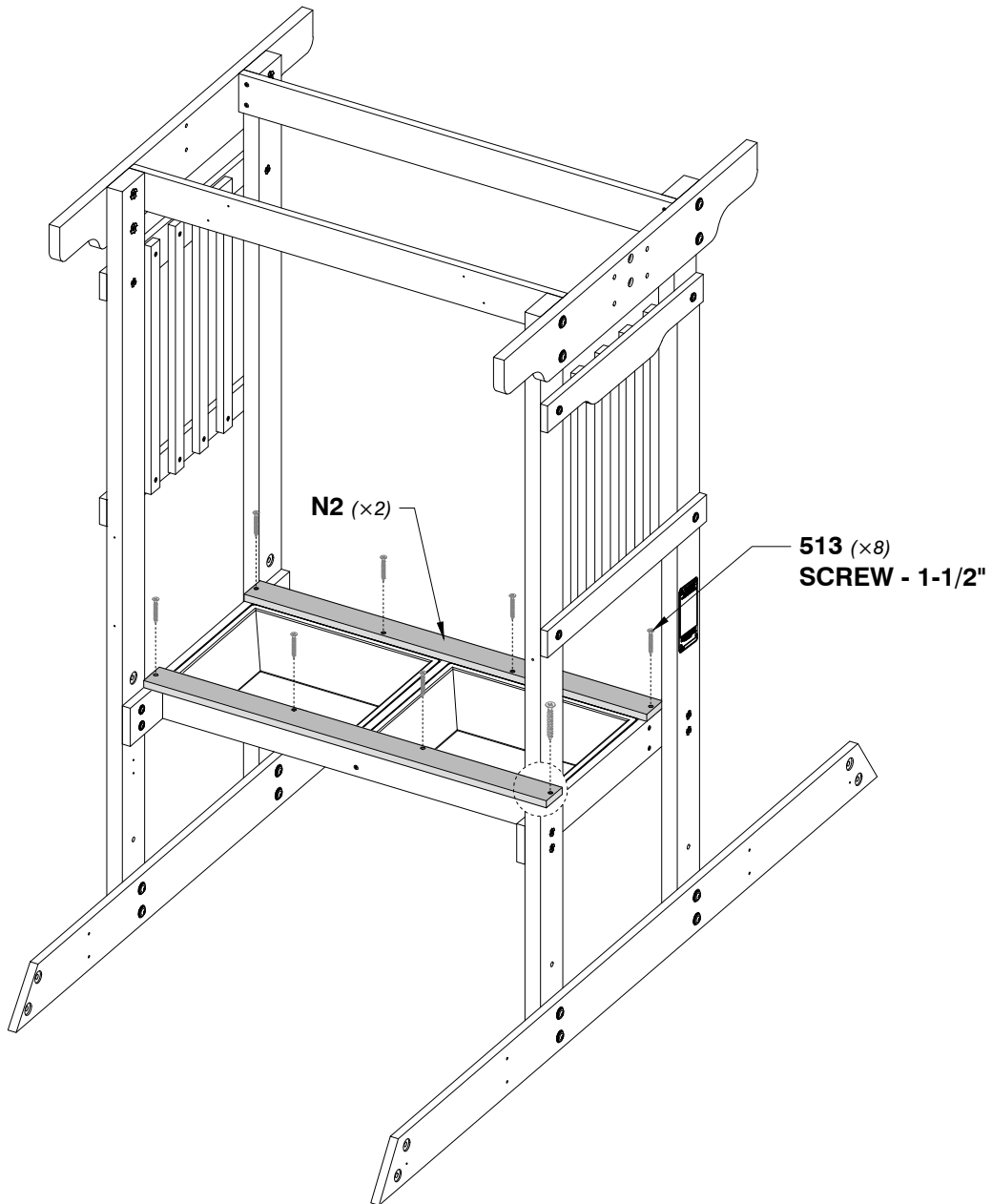
# STEP 10



**N2** | **DESKTOP SLIVER-W4L12247**  
(×2) 5/8"×2 3/8"×35 7/8" (16×60×910)



**H100513** | **SCREW PWH**  
(×8) 8×1-1/2"



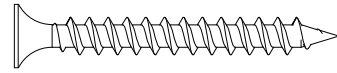
# STEP 11



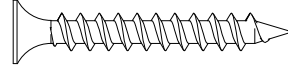
**T1 | CONSOLIDATE-W4L12225**  
(×4) | 1"×1 3/8"×13" (24×34×330)



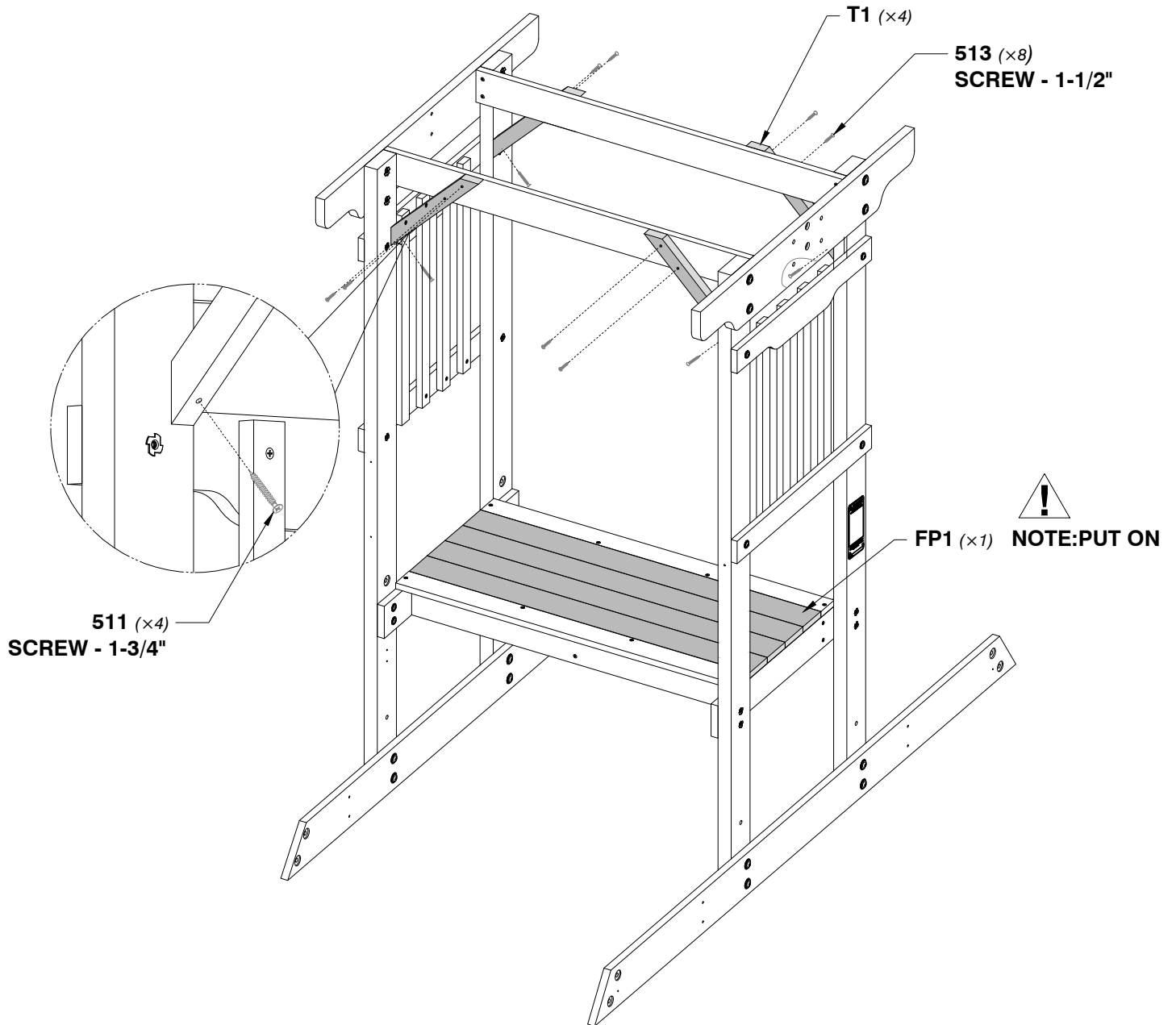
**FP1 | TABLETOP -W2A03372**  
(×1) | 1 1/8"×12 3/4"×35 3/4" (28×323×909)



**H100511 | SCREW PWH**  
(×4) | 8×1-3/4



**H100513 | SCREW PWH**  
(×8) | 8×1-1/2



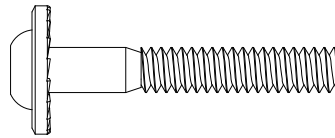
# STEP 12



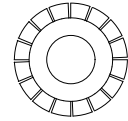
**H1 | SMALL STRAIGHT-W4L12218**  
 (x1) | 1"×3 3/8"×9" (24×86×230)



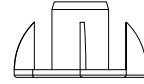
**W5 | JOE BLOCK-W4L12238**  
 (x1) | 3/4"×3 3/8"×5 1/4" (19×86×134)



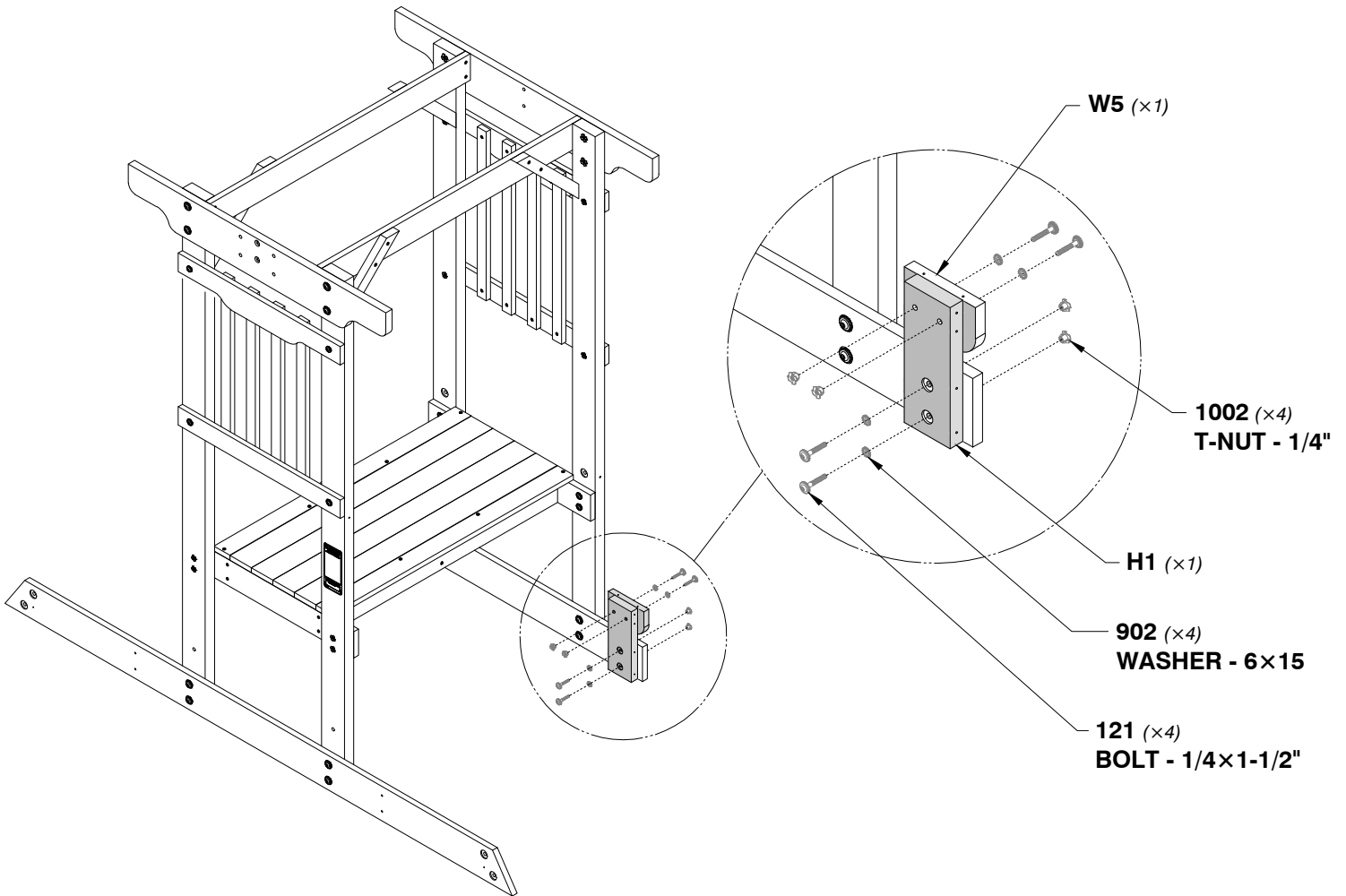
**H100121 | BOLT WH**  
 (x4) | 1/4×1-1/2



**H100902 | WASHER LOCK EXT**  
 (x4) | 6×15



**H101002 | T-NUT**  
 (x4) | 1/4



# STEP 13



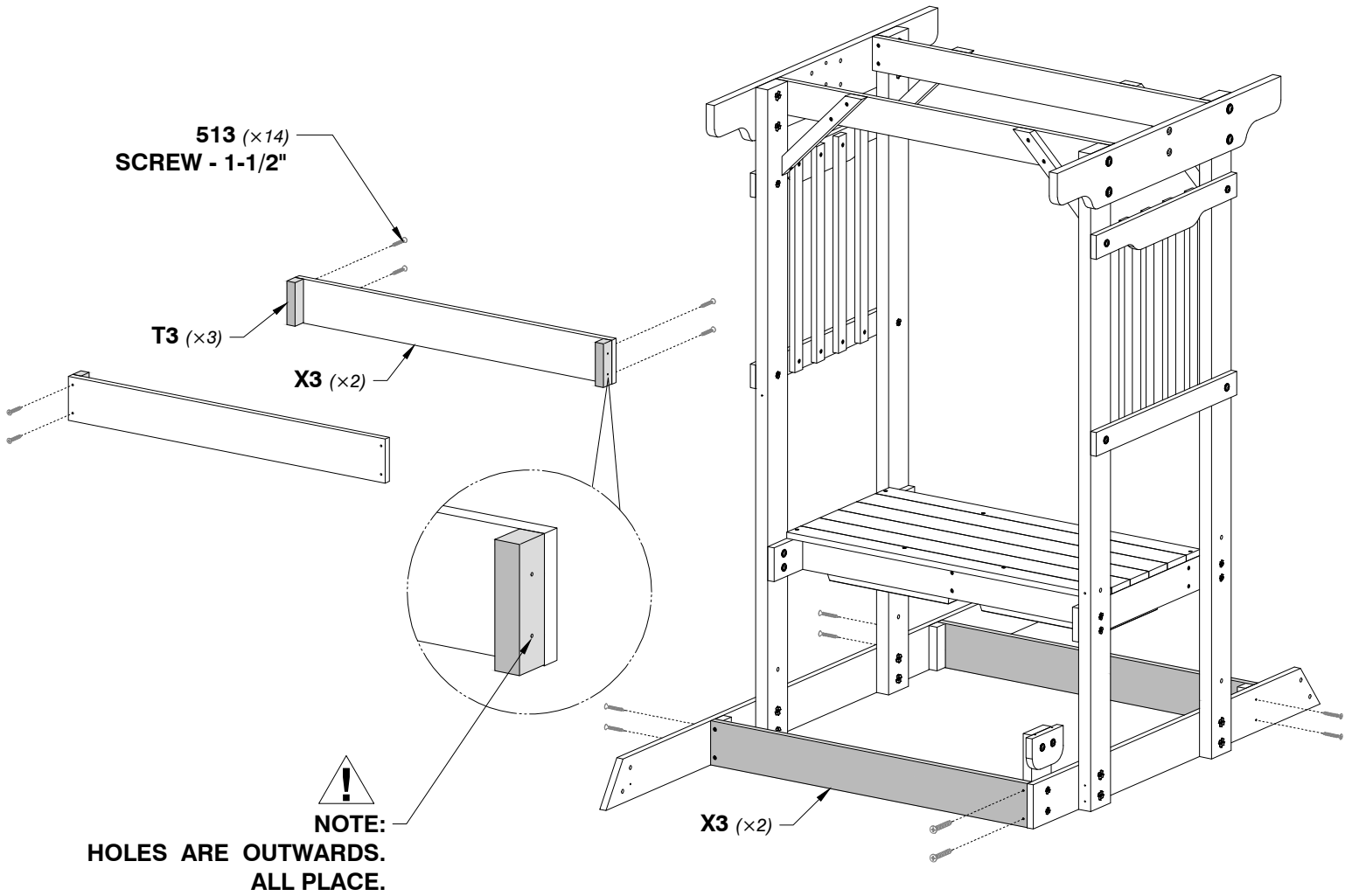
**X3** | **GROUND BOARD-W4L12231**  
 (x2) | 3/4" x 4 3/8" x 36 1/2" (19 x 112 x 926)



**T3** | **SUPPORT STRIP-W4L12226**  
 (x3) | 1" x 1 3/8" x 4 3/8" (24 x 34 x 112)



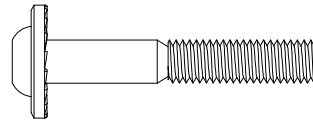
**H100513** | **SCREW PWH**  
 (x14) | 8 x 1-1/2"



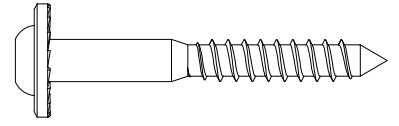
# STEP 14



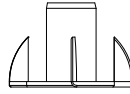
**E7** | **ANGLE BRACE-W4L12209**  
 (x2) | 1 3/8" x 3 3/8" x 46 1/4" (36 x 86 x 1176)



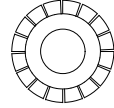
**H100042** | **BOLT WH**  
 (x4) | 5/16 x 2



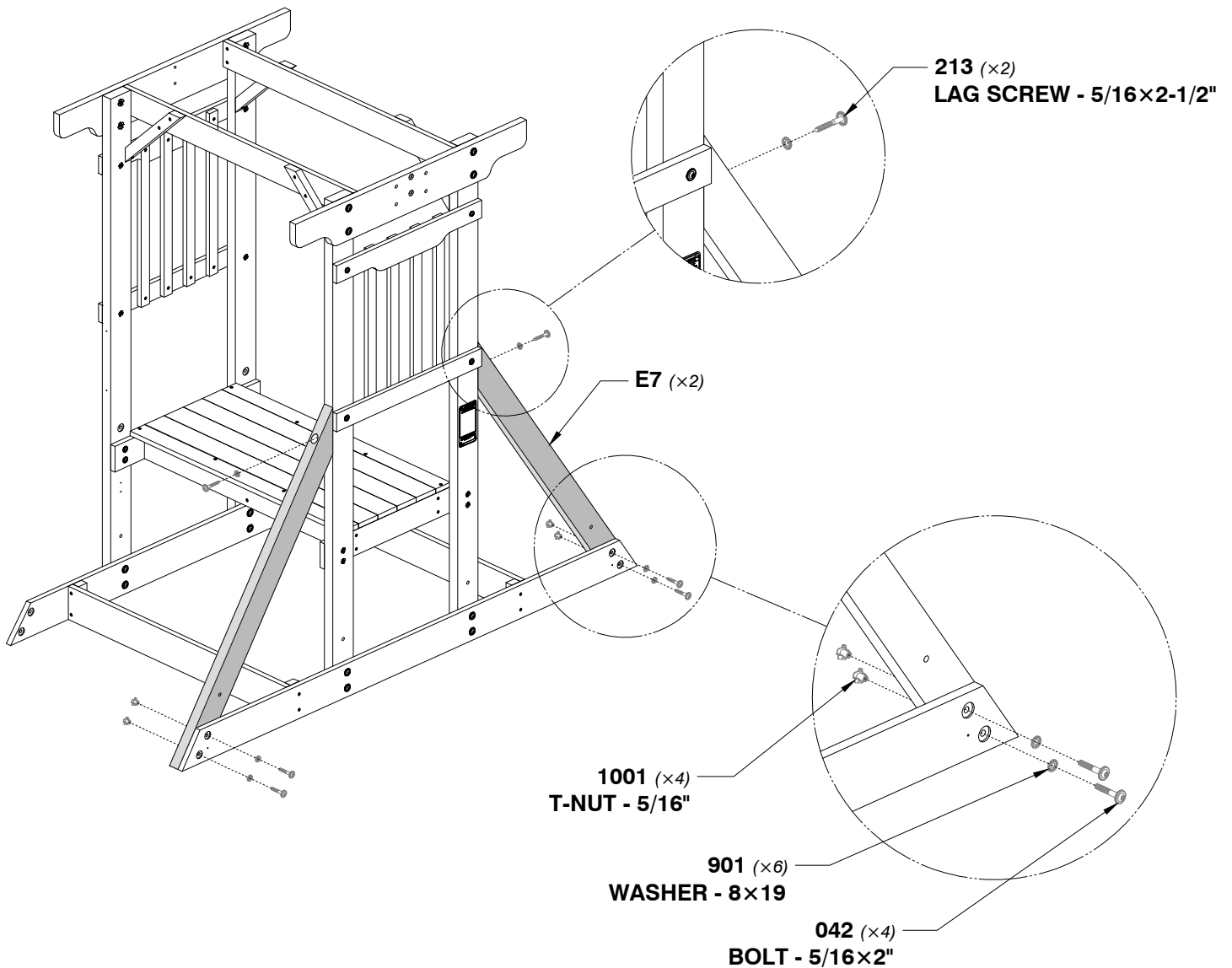
**H100213** | **LAG SCREW WH**  
 (x2) | 5/16 x 2 1/2



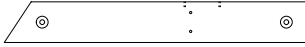
**H101001** | **T-NUT**  
 (x4) | 5/16



**H100901** | **WASHER LOCK**  
 (x6) | **EXT**  
 8 x 19



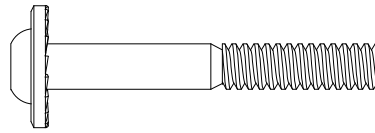
# STEP 15



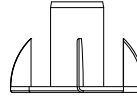
**H2 | LATERAL PLATE-W4L12216**  
(x1) | 1"×3 3/8"×25 1/4" (24×86×640)



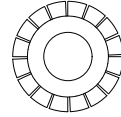
**H3 | LATERAL PLATE-W4L12217**  
(x1) | 1"×3 3/8"×25 1/4" (24×86×640)



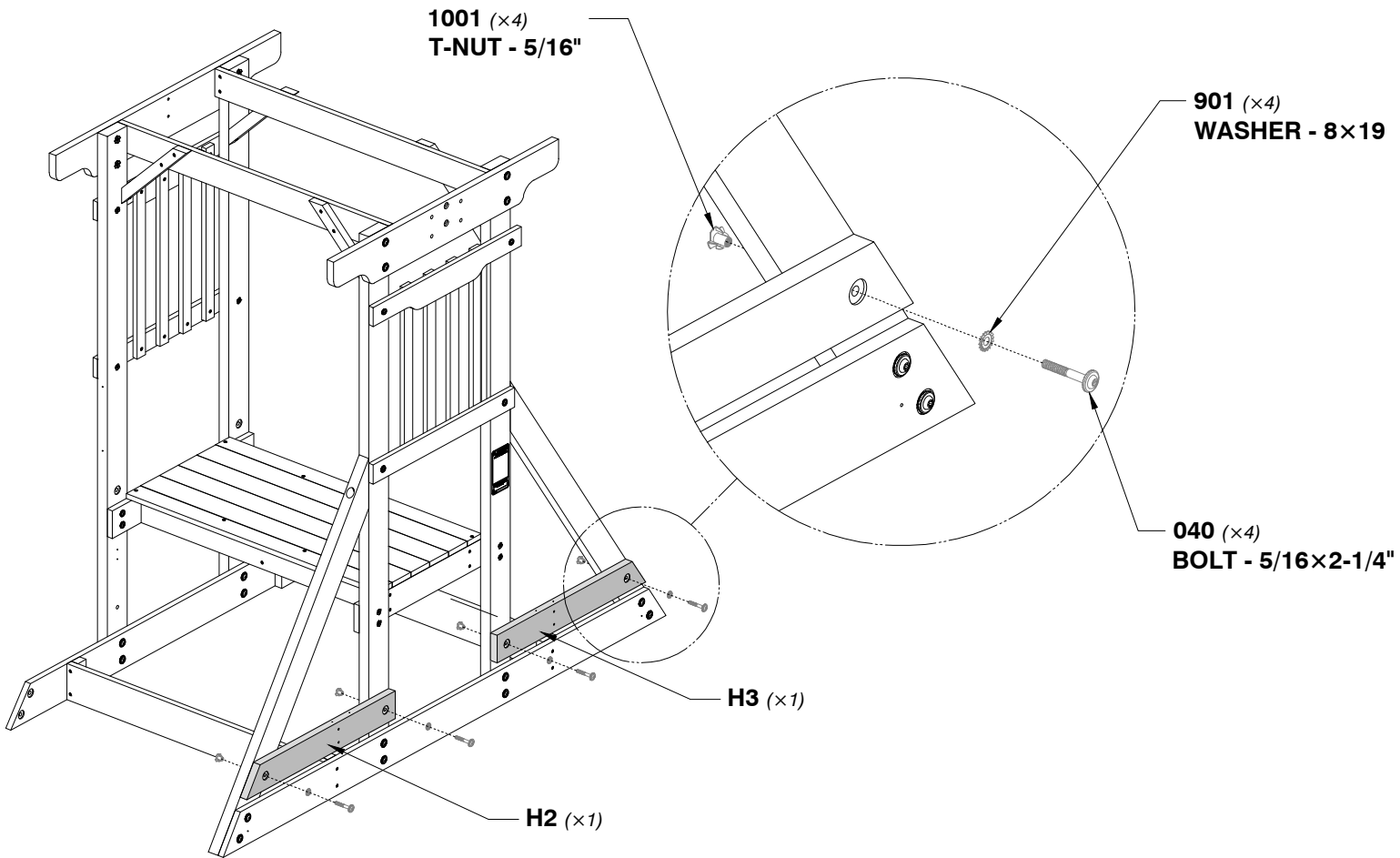
**H100040 | BOLT WH**  
(x4) | 5/16×2-1/4



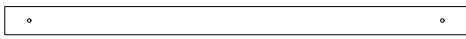
**H101001 | T-NUT**  
(x4) | 5/16



**H100901 | WASHER LOCK  
EXT**  
(x4) | 8×19



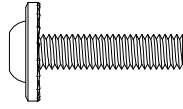
# STEP 16



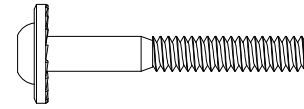
**J1 | TOP HORIZONTAL -W4L12219**  
(x1) | 1"×2 3/8"×38 5/8" (24×60×980)



**J2 | CEILING SUPPORT-W4L12222**  
(x2) | 1"×2 3/8"×23 5/8" (24×60×600)



**H100125 | BOLT WH**  
(x4) | 1/4×1



**H100119 | BOLT WH**  
(x4) | 1/4×1-3/4



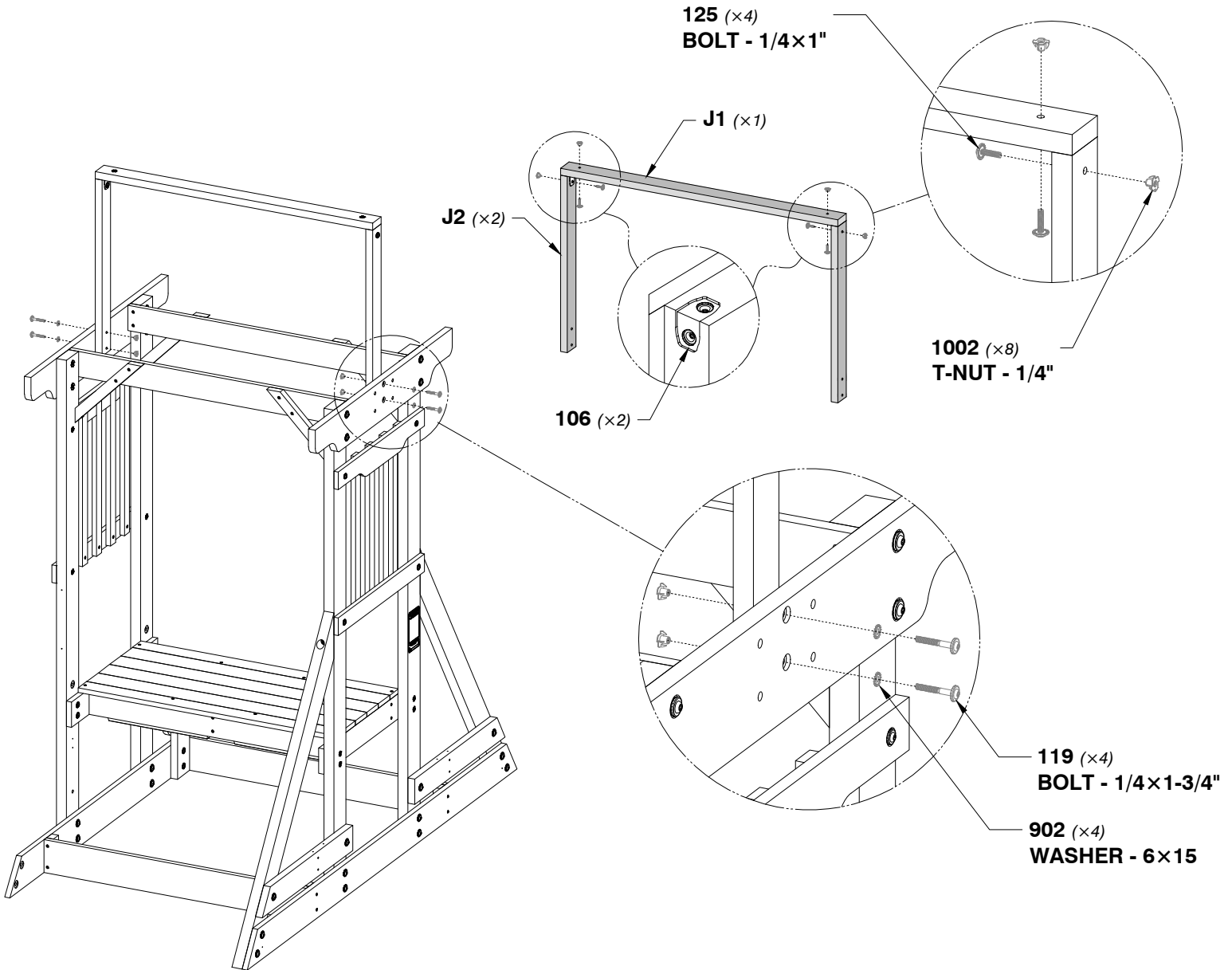
**H100902 | WASHER LOCK**  
(x4) | EXT  
6×15



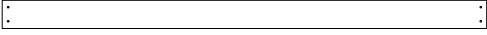
**H101002 | T-NUT**  
(x8) | 1/4



**A100106 | L BRACKET**  
(x2) | 2×40×40×30



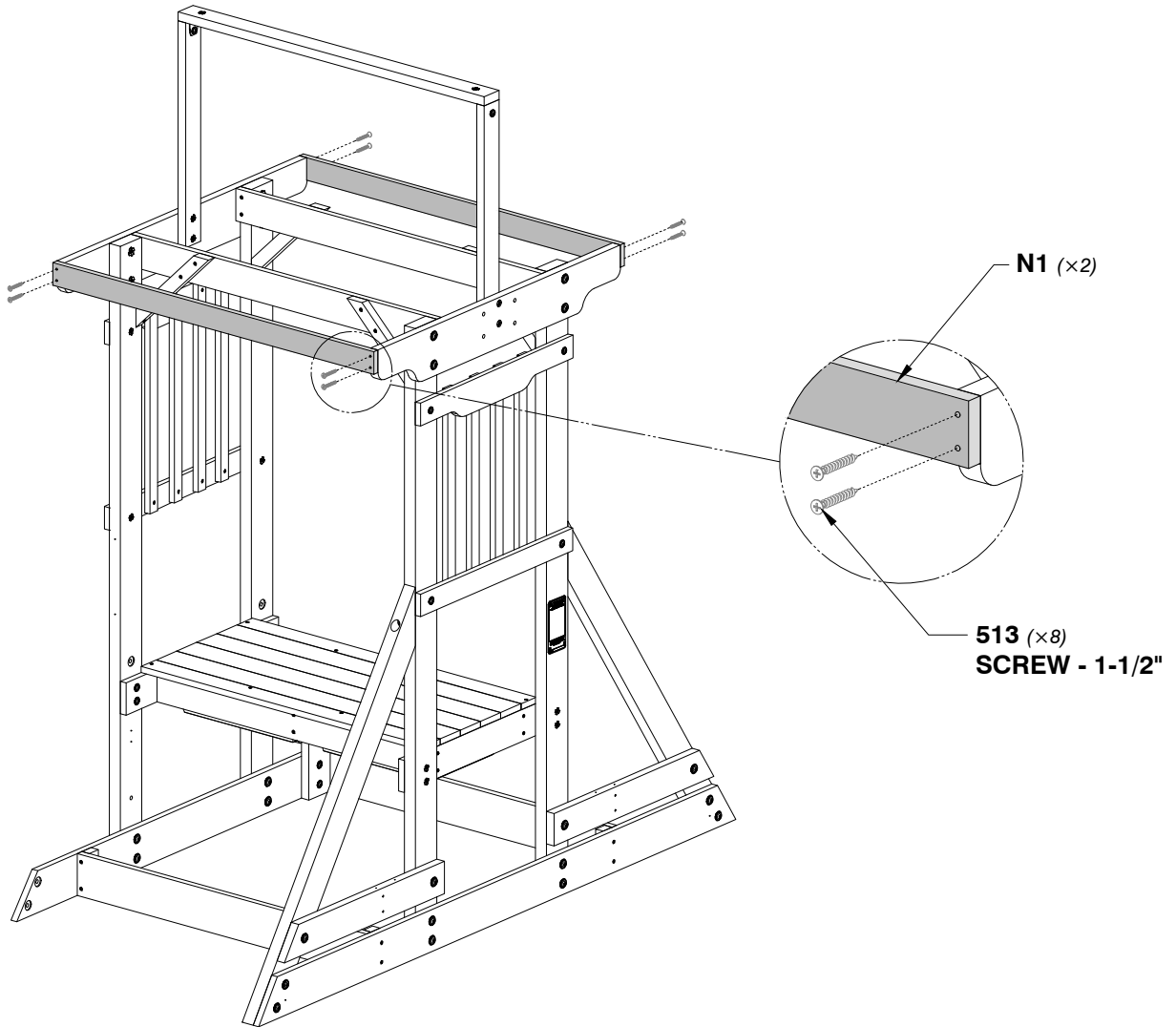
# STEP 17



**N1** | **TOP LATERAL -W4L12245**  
(×2) | 5/8"×2 3/8"×40 1/2" (16×60×1028)



**H100513** | **SCREW PWH**  
(×8) | 8×1-1/2"



# STEP 18

**E8 | LATERAL POST-W4L12210**  
(x1) | 1 3/8"×3 3/8"×38" (36×86×965)

**E9 | LATERAL POST-W4L12211**  
(x1) | 1 3/8"×3 3/8"×38" (36×86×965)

**J3 | BANISTER TOP-W4L12221**  
(x1) | 1"×2 3/8"×24" (24×60×610)

**J4 | PLATFORM RAIL-W4L12220**  
(x1) | 1"×2 3/8"×24" (24×60×610)

**H100040 | BOLT WH**  
(x2) | 5/16×2-1/4

**H100042 | BOLT WH**  
(x4) | 5/16×2

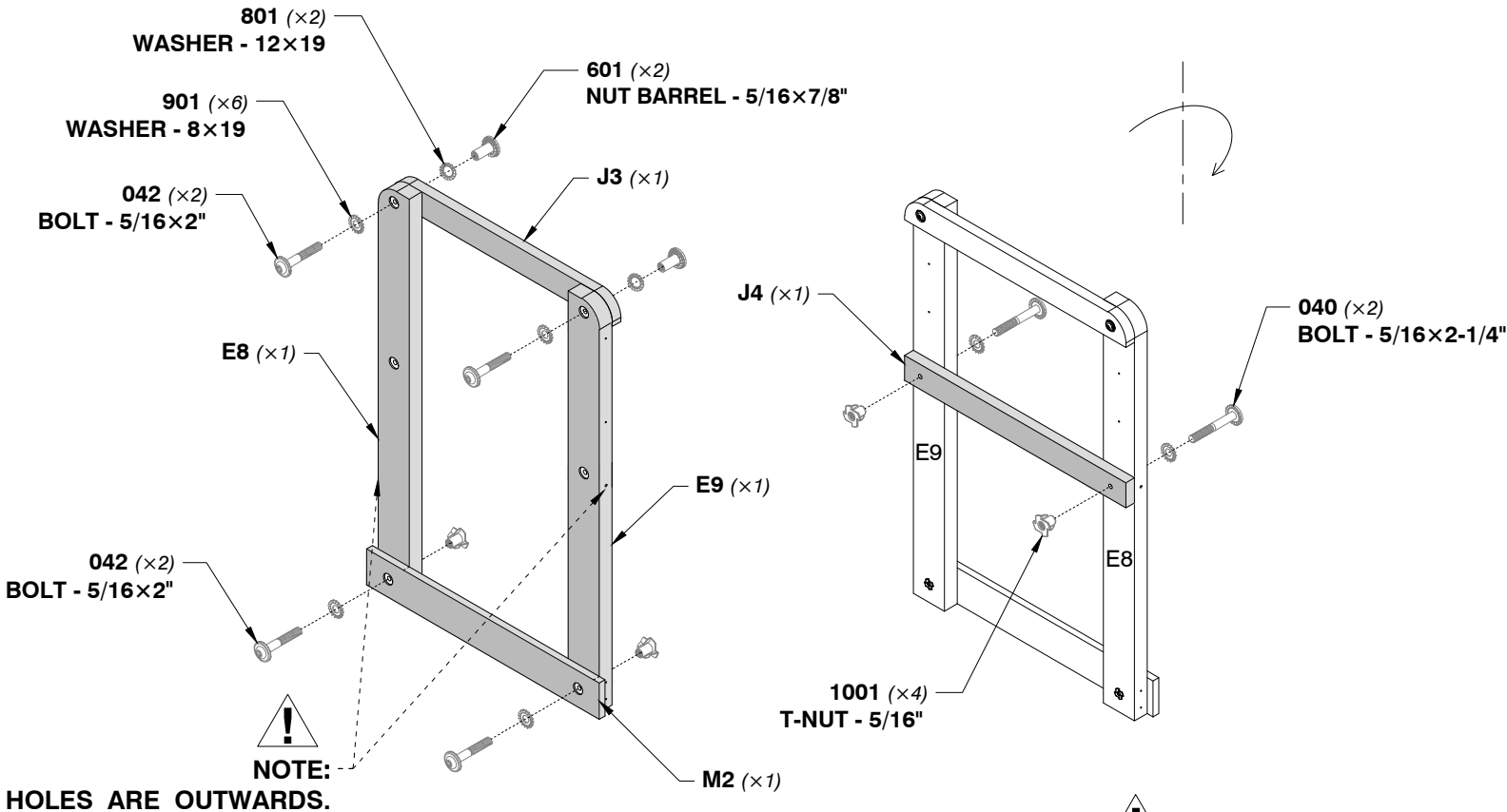
**H101001 | T-NUT**  
(x4) | 5/16

**H100601 | NUT BARREL WH**  
(x2) | 5/16×7/8

**H100901 | WASHER LOCK EXT**  
(x6) | 8×19

**M2 | BOTTOM STRAIGHT-W4L12241**  
(x1) | 5/8"×3 3/8"×25 1/4" (16×86×642)

**H100801 | WASHER LOCK EXT**  
(x2) | 12×19

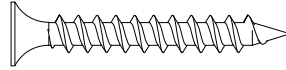


**NOTE HOLE LOCATIONS**

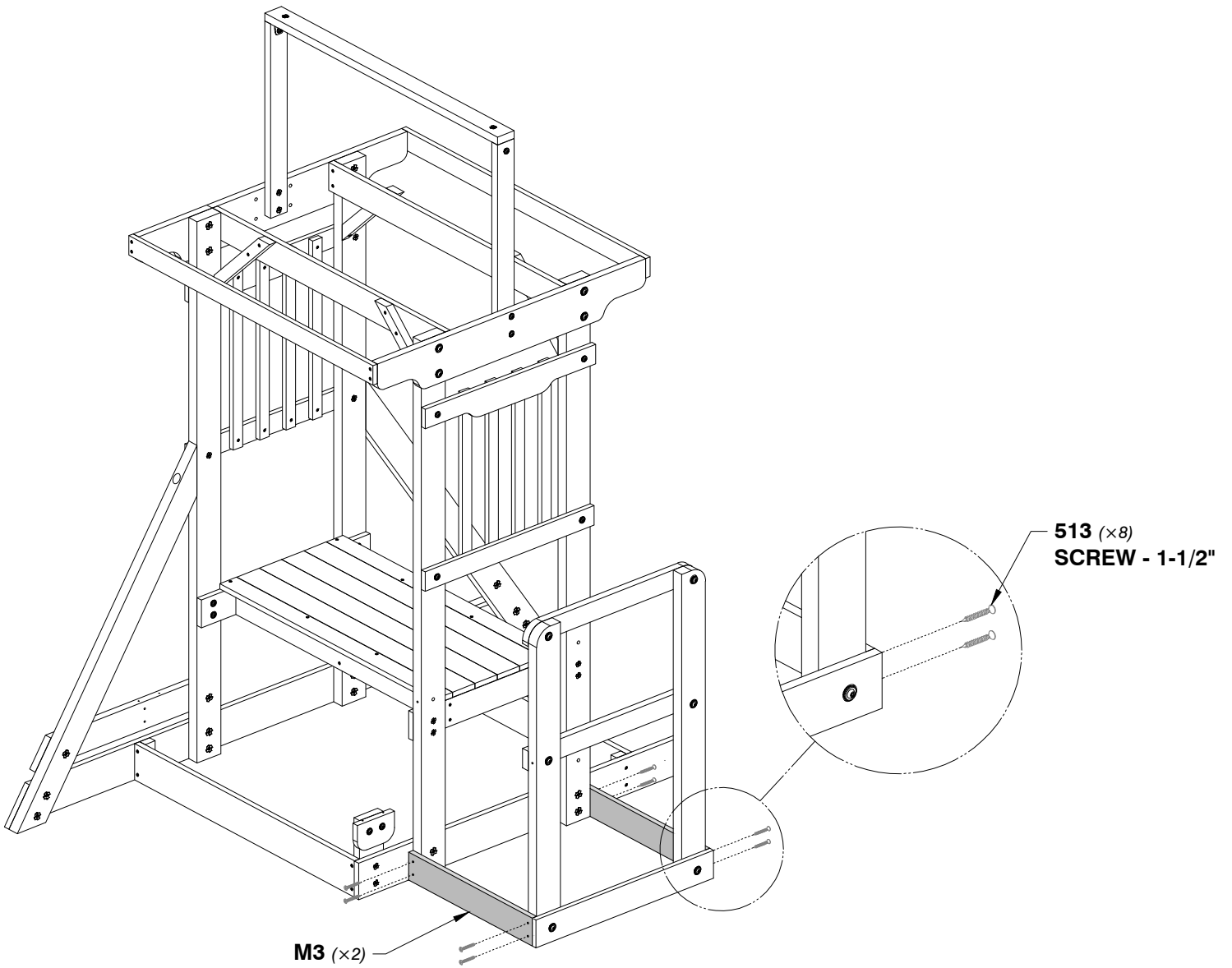
# STEP 19



**M3** | **BOTTOM CROSS-W4L12243**  
(×2) 5/8"×3 3/8"×20 1/2" (16×86×520)



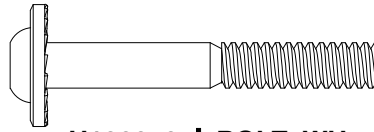
**H100513** | **SCREW PWH**  
(×8) 8×1-1/2



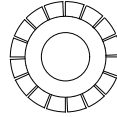
# STEP 20



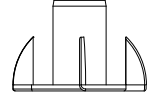
**J4** | **PLATFORM RAIL-W4L12220**  
(x1) | 1"×2 3/8"×24" (24×60×610)



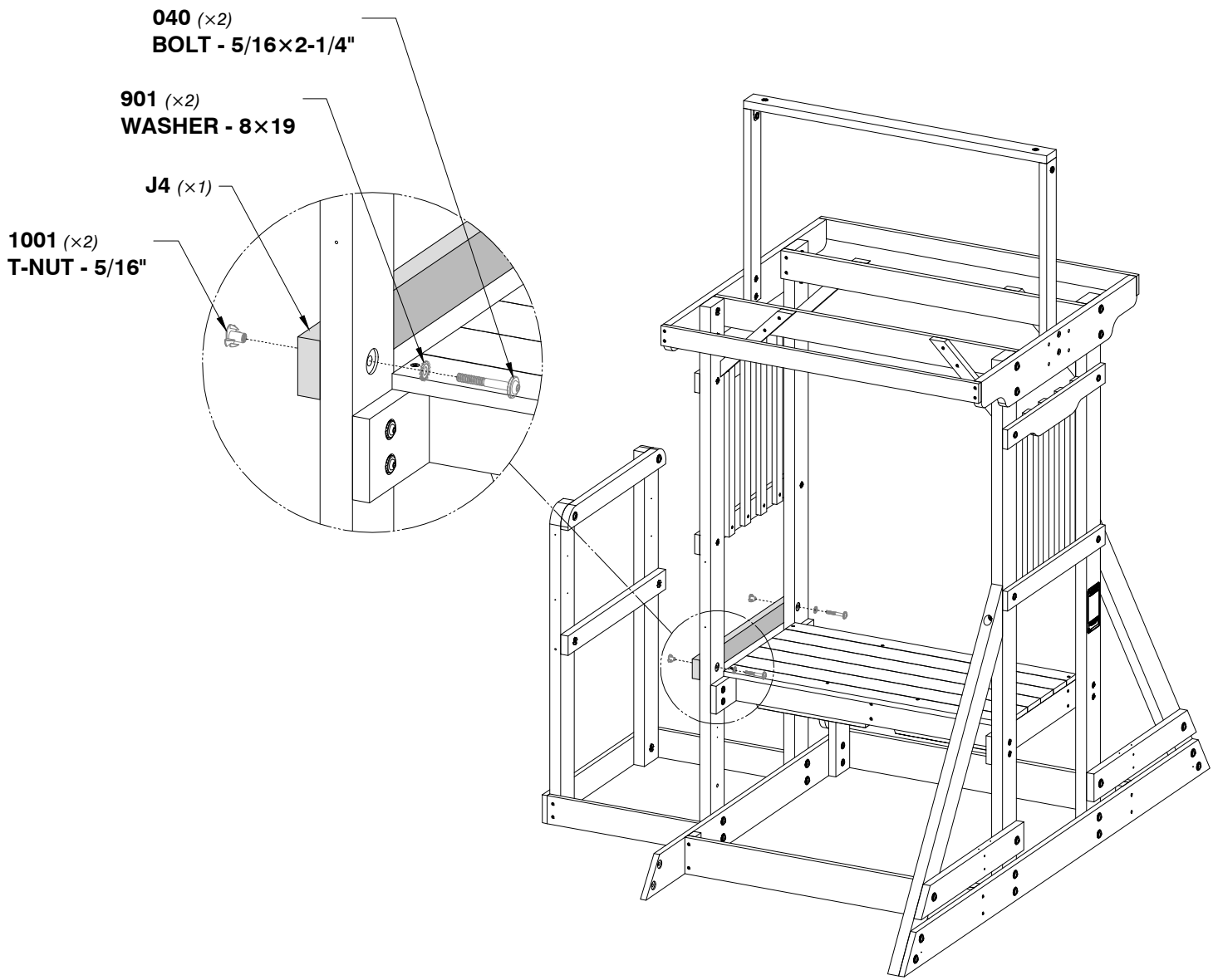
**H100040** | **BOLT WH**  
(x2) | 5/16×2-1/4



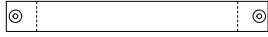
**H100901** | **WASHER LOCK**  
(x2) | **EXT**  
8×19



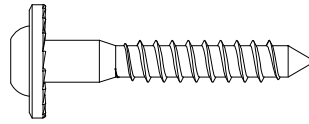
**H101001** | **T-NUT**  
(x2) | 5/16



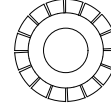
# STEP 21



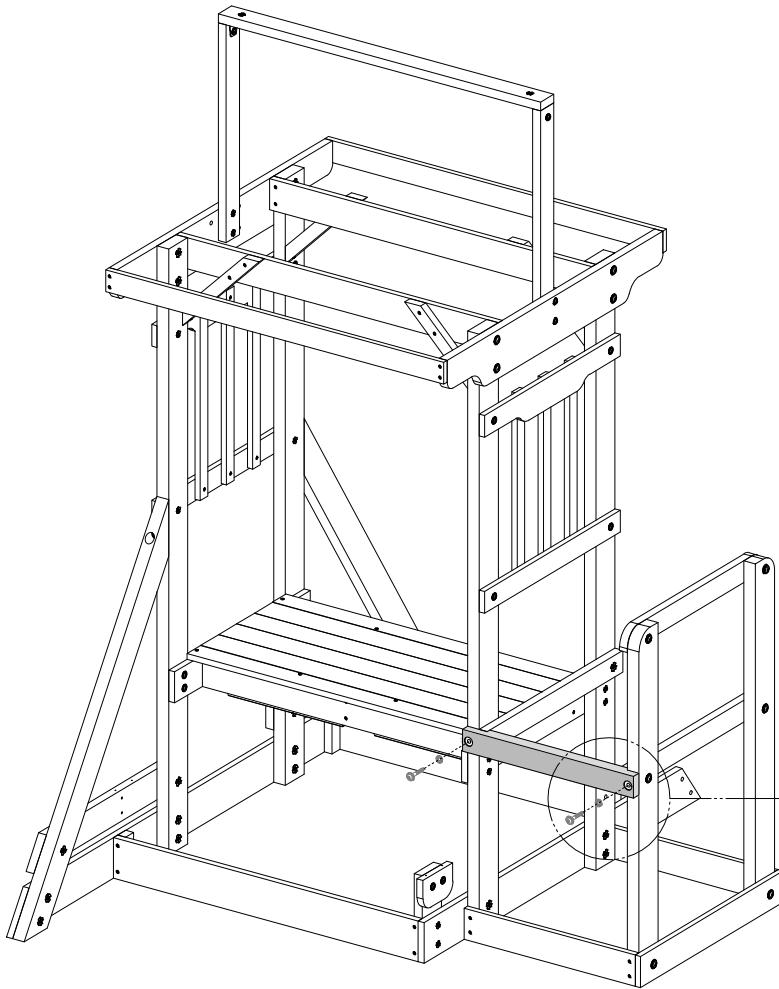
**F3** | **BANISTER-W4L12223**  
**(x1)** | **1 3/8" x 2 3/8" x 20 1/2" (36 x 60 x 520)**



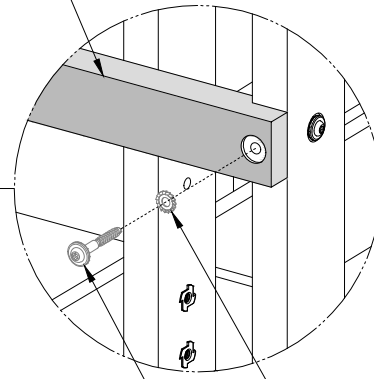
**H100217** | **LAG SCREW WH**  
**(x2)** | **5/16 x 2**



**H100901** | **WASHER LOCK**  
**(x2)** | **EXT**  
**8 x 19**



**F3 (x1)**



**901 (x2)**  
**WASHER - 8 x 19**

**217 (x2)**  
**LAG SCREW - 5/16 x 2"**

# STEP 22



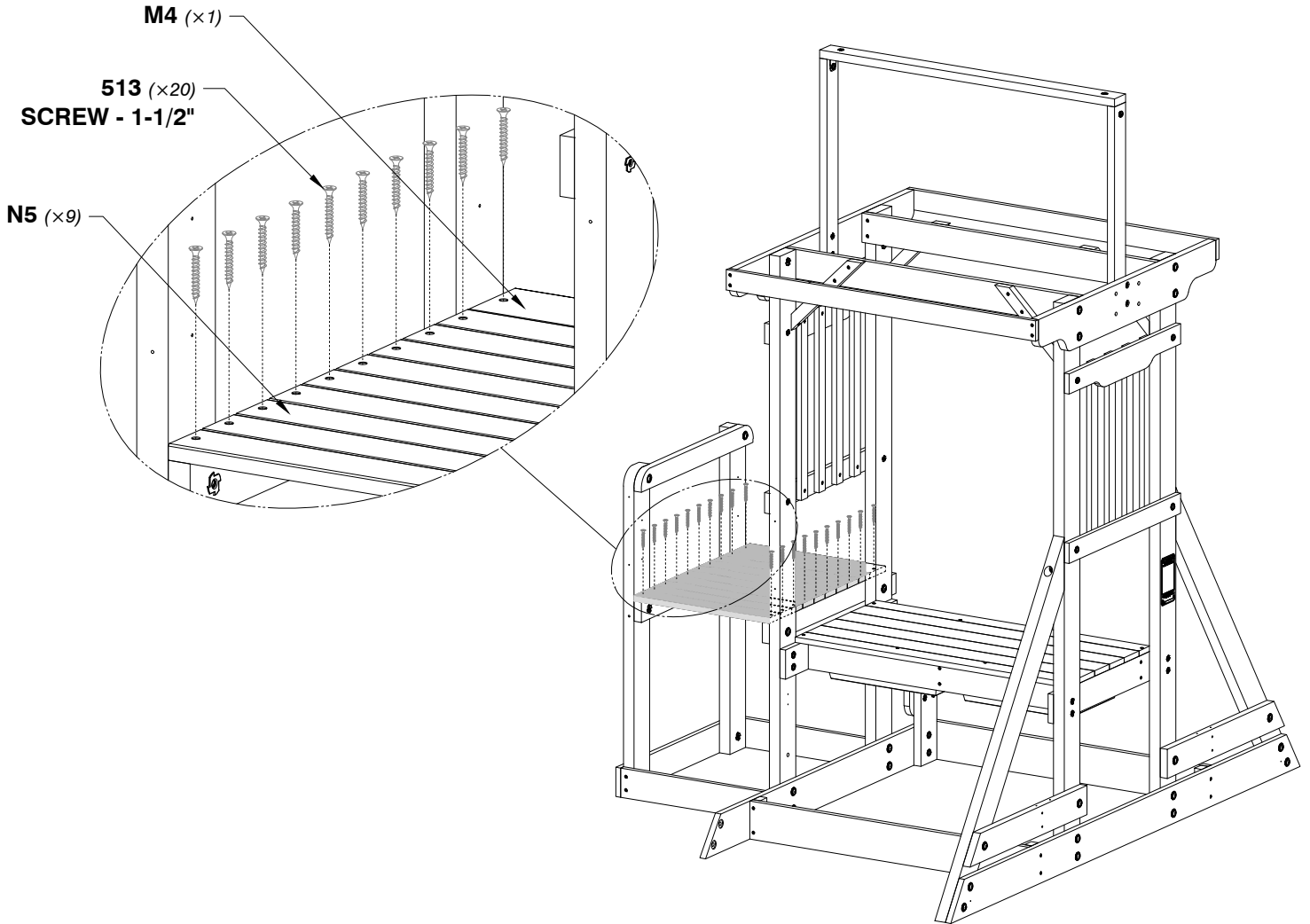
**N5 | PLATFORM PLATE -W4L12249**  
(x9) 5/8" x 2 3/8" x 17 3/4" (16 x 60 x 450)



**M4 | SLIDE RETAINING PLATE-W4L12244**  
(x1) 5/8" x 3 3/8" x 17 3/4" (16 x 86 x 450)



**H100513 | SCREW PWH**  
(x20) 8 x 1-1/2"



# STEP 23

**F1** | **CLIMBING SUPPORT-W4L12212**  
 (x1) | 1 3/8" x 2 3/8" x 30 1/4" (36 x 60 x 768)

**F2** | **CLIMBING SUPPORT-W4L12213**  
 (x1) | 1 3/8" x 2 3/8" x 30 1/4" (36 x 60 x 768)

**T2** | **RAILING-W4L12224**  
 (x2) | 1" x 1 3/8" x 24" (24 x 34 x 610)

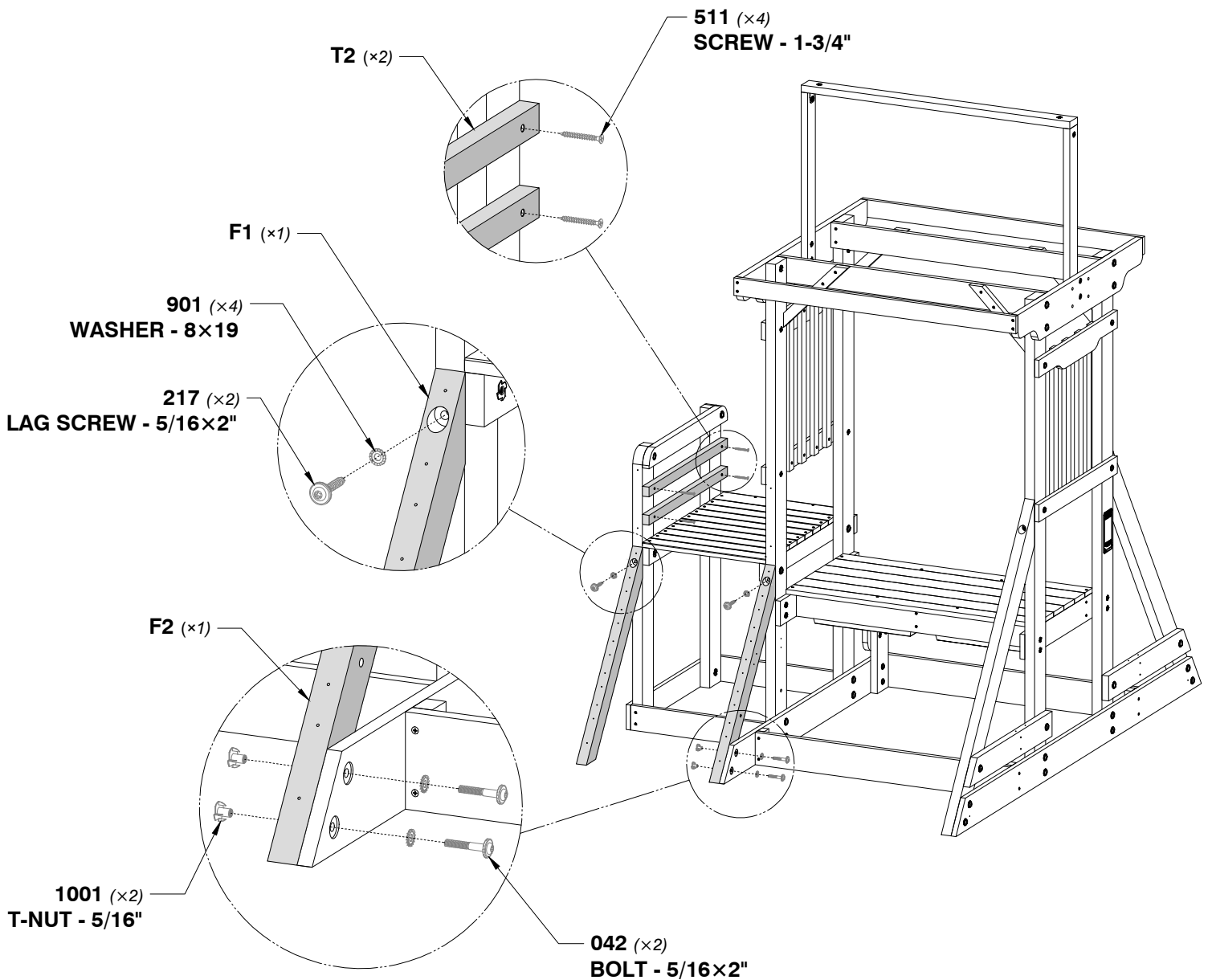
**H100042** | **BOLT WH**  
 (x2) | 5/16 x 2

**H100217** | **LAG SCREW WH**  
 (x2) | 5/16 x 2

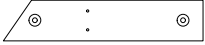
**H100511** | **SCREW PWH**  
 (x4) | 8 x 1-3/4

**H100901** | **WASHER LOCK**  
 (x4) | **EXT**  
 8 x 19

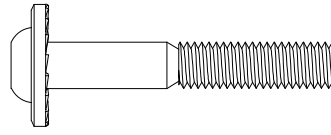
**H101001** | **T-NUT**  
 (x2) | 5/16



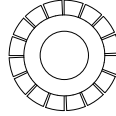
# STEP 24



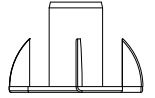
**W4 | LOWER STOP-W4L12236**  
 (x1) | 3/4" x 3 3/8" x 16 3/4" (19 x 86 x 424)



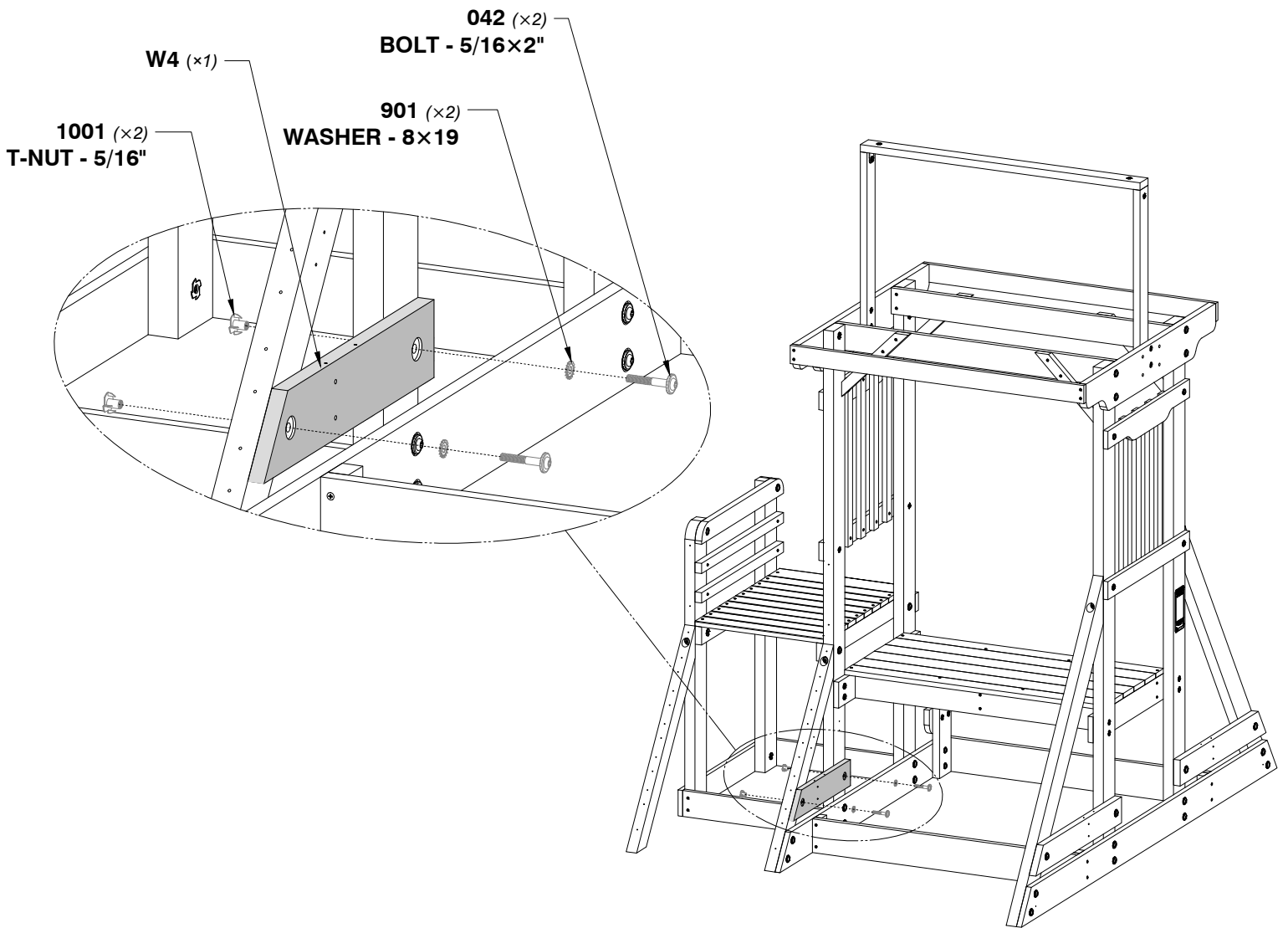
**H100042 | BOLT WH**  
 (x2) | 5/16 x 2



**H100901 | WASHER LOCK**  
 (x2) | EXT  
 8 x 19



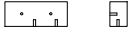
**H101001 | T-NUT**  
 (x2) | 5/16



# STEP 25



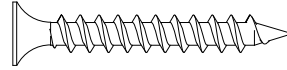
**N4** | **DAMPER -W4L12346**  
(×2) | 5/8"×2 3/8"×36 1/2" (16×60×926)



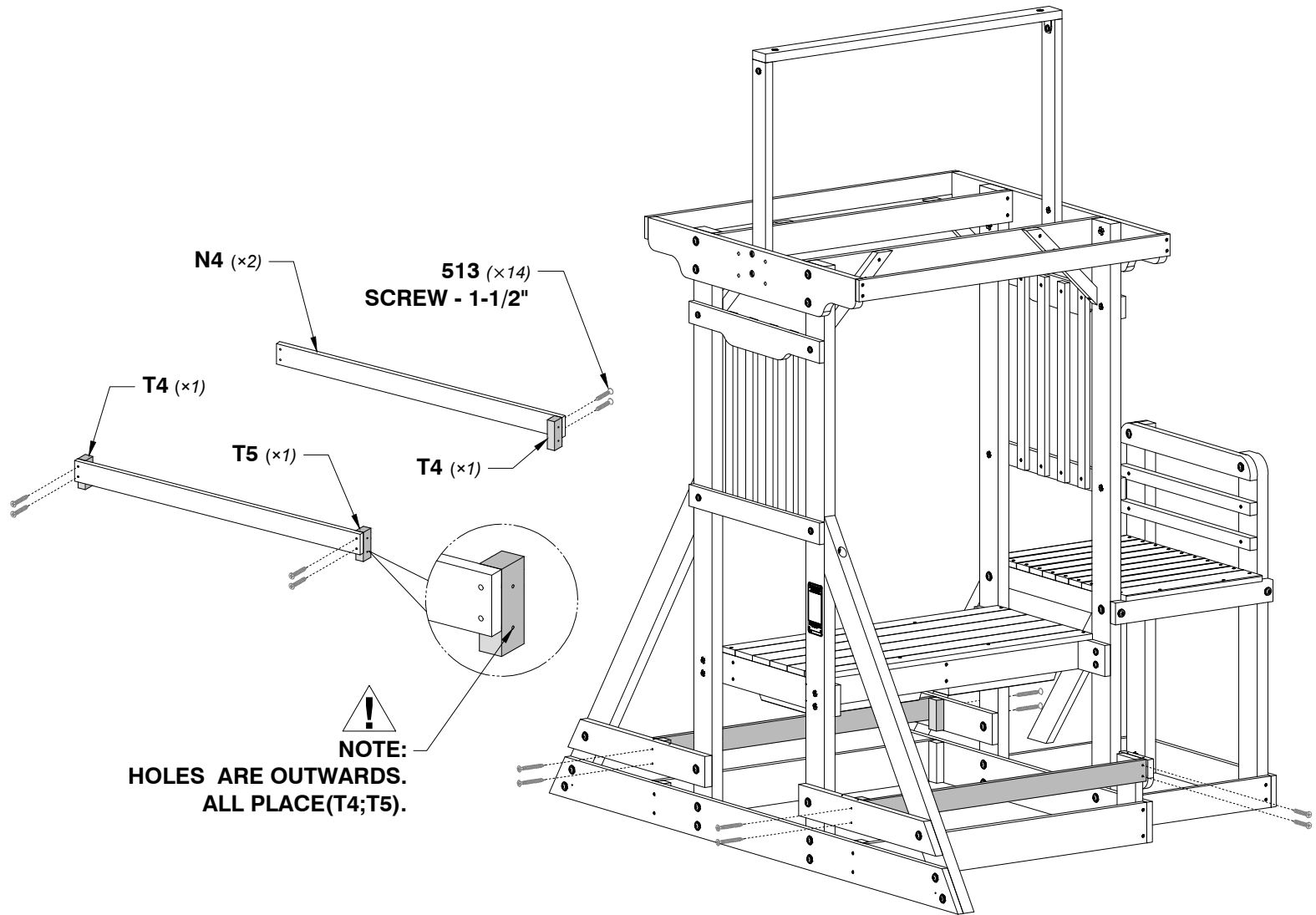
**T4** | **SUPPORT STRIP-W4L12227**  
(×2) | 1"×1 3/8"×3 3/8" (24×34×86)



**T5** | **SUPPORT STRIP-W4L12253**  
(×1) | 1"×1 3/8"×3 3/8" (24×34×86)



**H100513** | **SCREW PWH**  
(×14) | 8×1-1/2



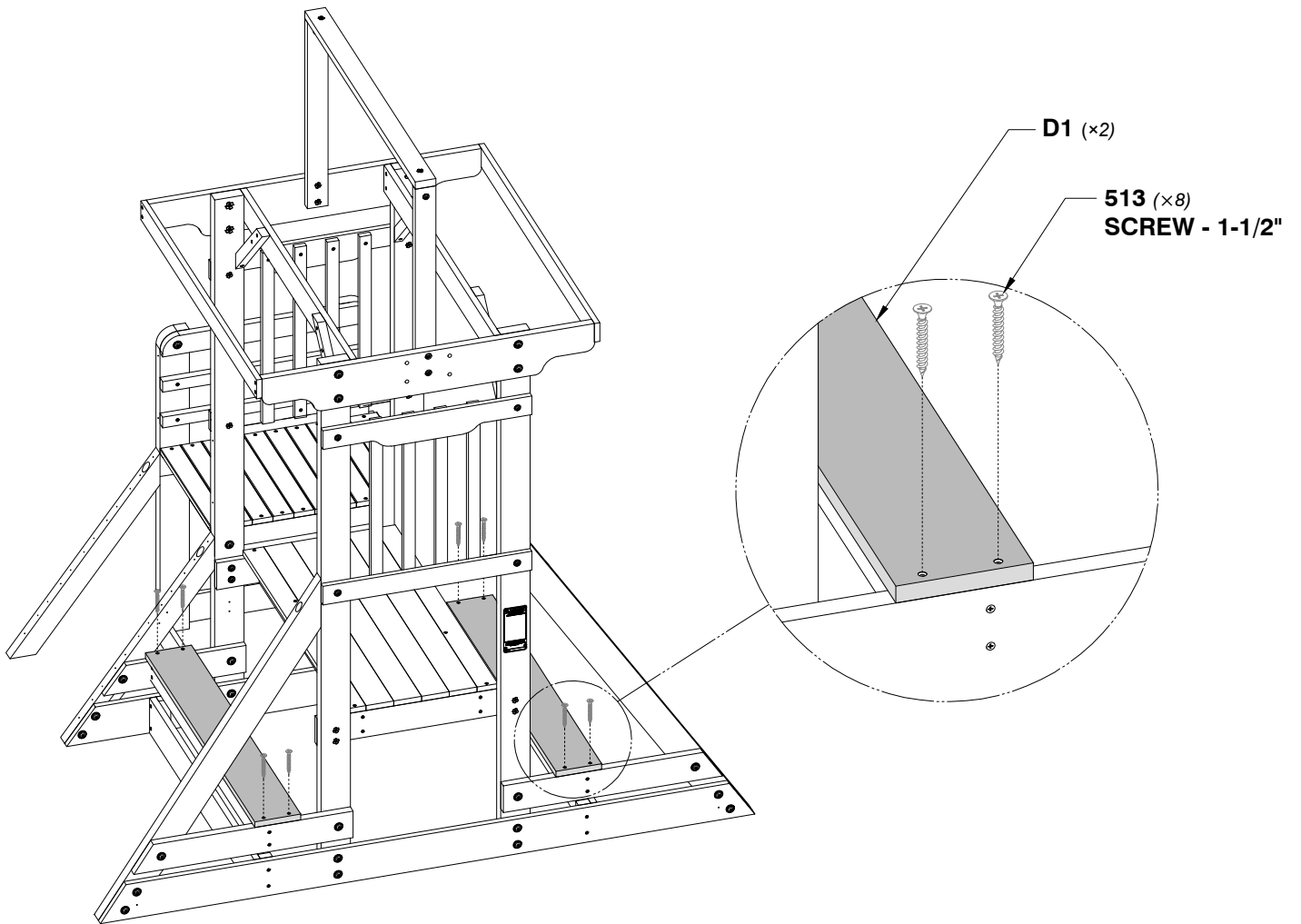
# STEP 26



**D1** | **CHAIR PANEL -W4L12228**  
(×2) | 3/4"×5 1/4"×38 1/8" (19×134×969)



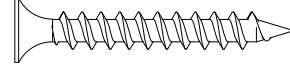
**H100513** | **SCREW PWH**  
(×8) | 8×1-1/2"



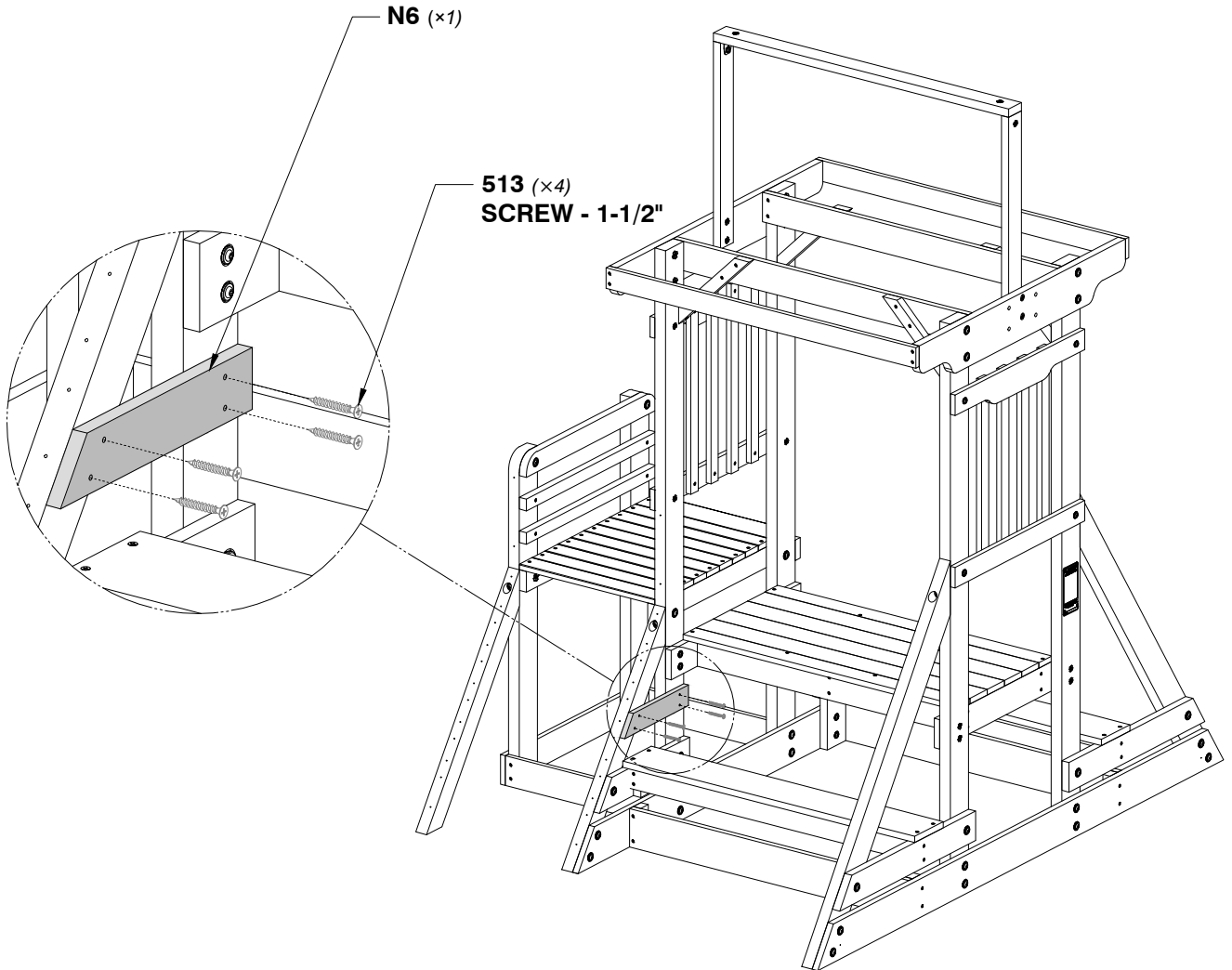
# STEP 27



**N6** | **DIAGONAL BRACING -W4L12250**  
(×1) | 5/8"×2 3/8"×11" (16×60×450)



**H100513** | **SCREW PWH**  
(×4) | 8×1-1/2



# STEP 28



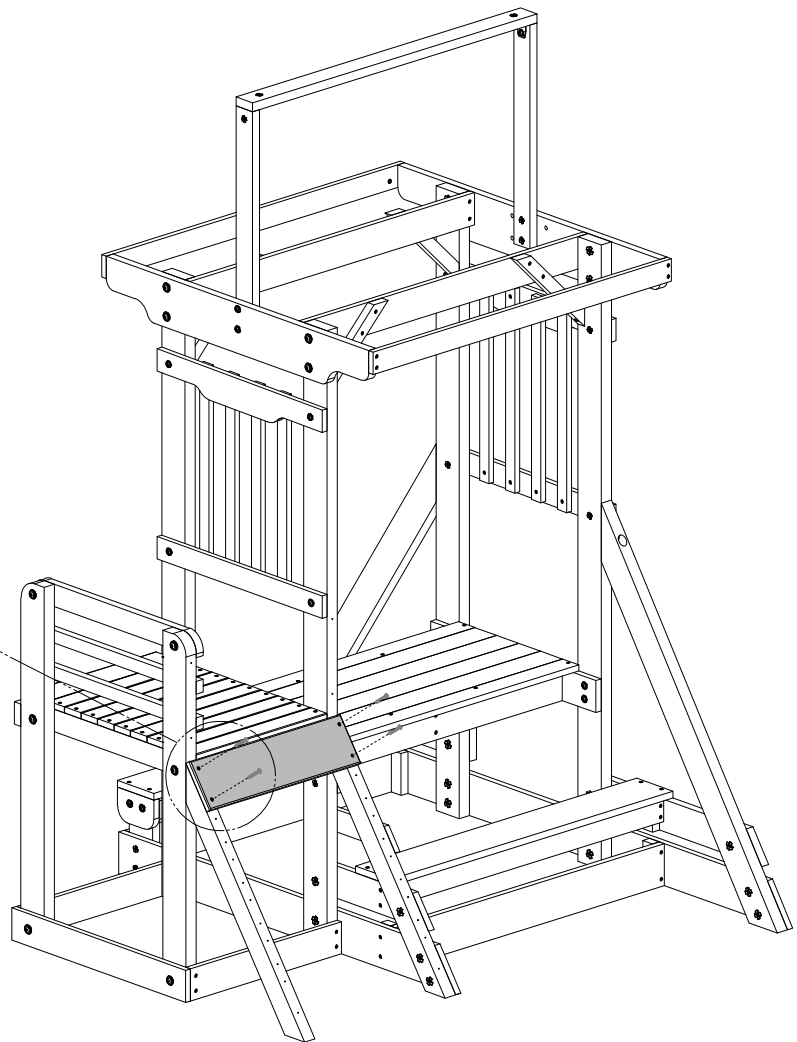
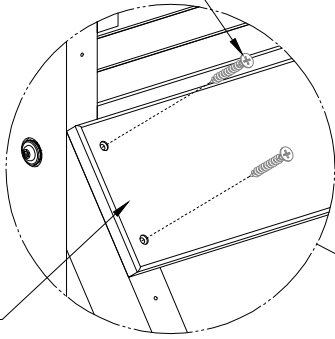
**K1** | **CLIMBING BOARD-W4L12239**  
(×1) | 5/8"×5 1/4"×20 1/2" (16×134×520)



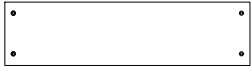
**H100513** | **SCREW PWH**  
(×4) | 8×1-1/2

**513 (×4)**  
**SCREW - 1-1/2"**

**K1 (×1)**



# STEP 29



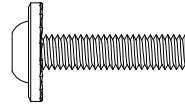
**K1 | CLIMBING BOARD-W4L12239**  
(x1) | 5/8"×5 1/4"×20 1/2" (16×134×520)



**L1 | CLIMBING BOARD-W4L12240**  
(x4) | 5/8"×4 3/8"×20 1/2" (16×112×520)



**A100130 | HC ROCK**  
(x4)



**H100125 | BOLT WH**  
(x8) | 1/4×1



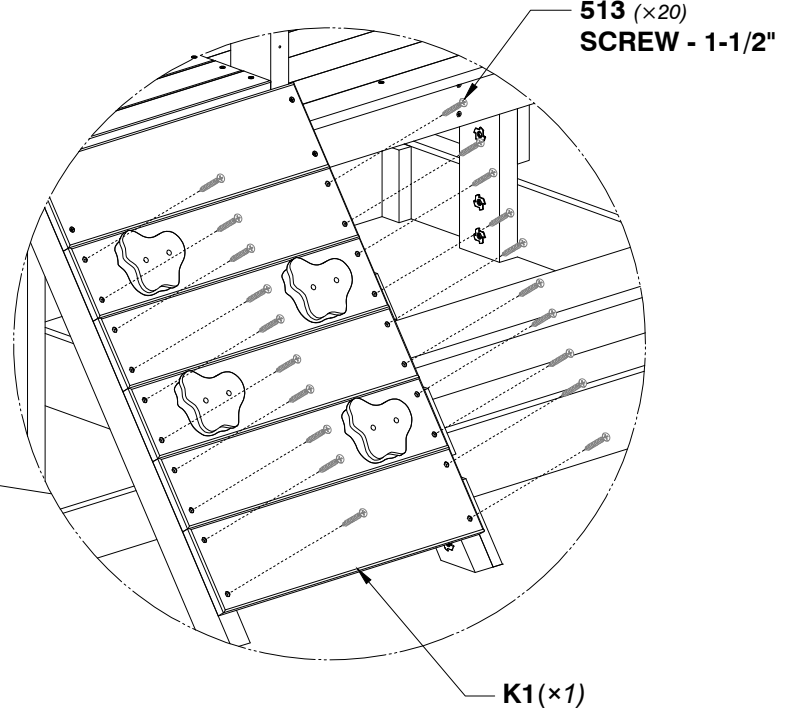
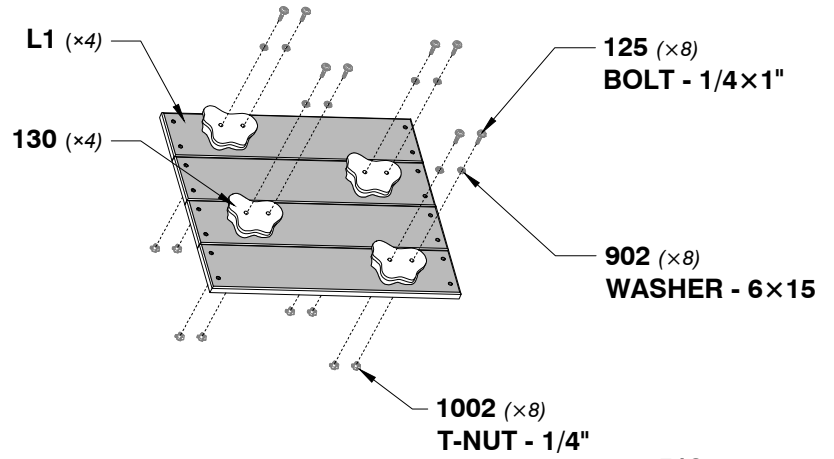
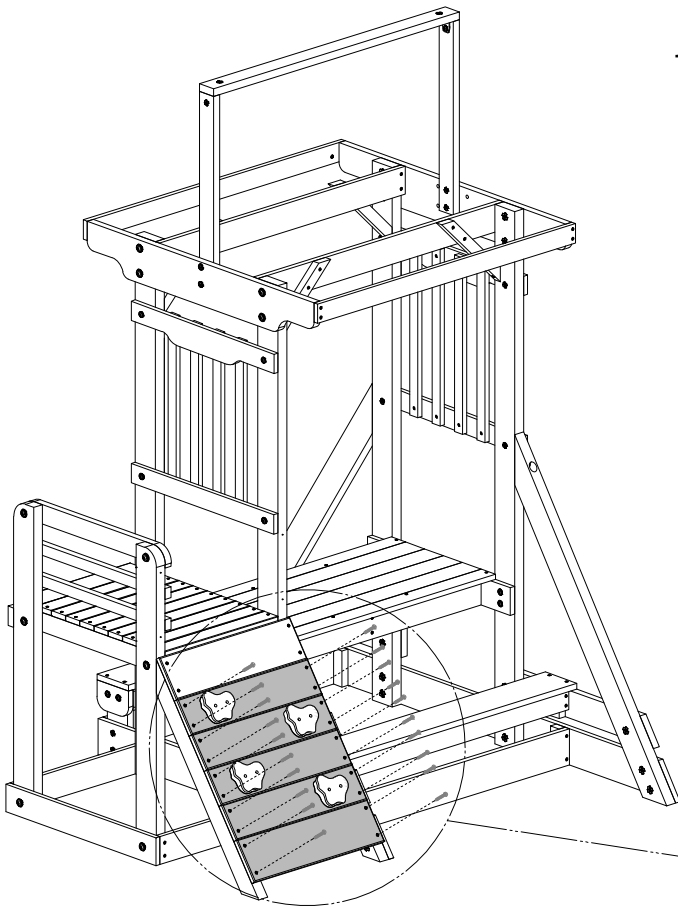
**H100513 | SCREW PWH**  
(x20) | 8×1-1/2



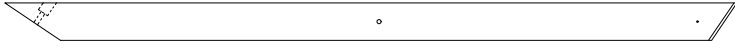
**H100902 | WASHER LOCK EXT**  
(x8) | 6×15



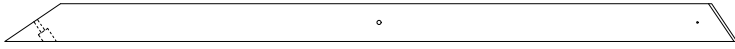
**H101002 | T-NUT**  
(x8) | 1/4



# STEP 30



**E5 | ANGLE BRACE-W4L12207**  
 (x1) | 1 3/8" x 3 3/8" x 65" (36 x 86 x 1650)



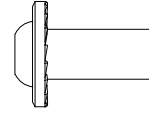
**E6 | ANGLE BRACE-W4L12208**  
 (x1) | 1 3/8" x 3 3/8" x 65" (36 x 86 x 1650)



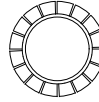
**SP2 | SWING BEAM SUPPORT-W4L12202**  
 (x1) | 2" x 3 3/8" x 38 7/8" (50 x 86 x 988)



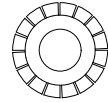
**H100024 | BOLT WH**  
 (x1) | 5/16 x 4-1/4



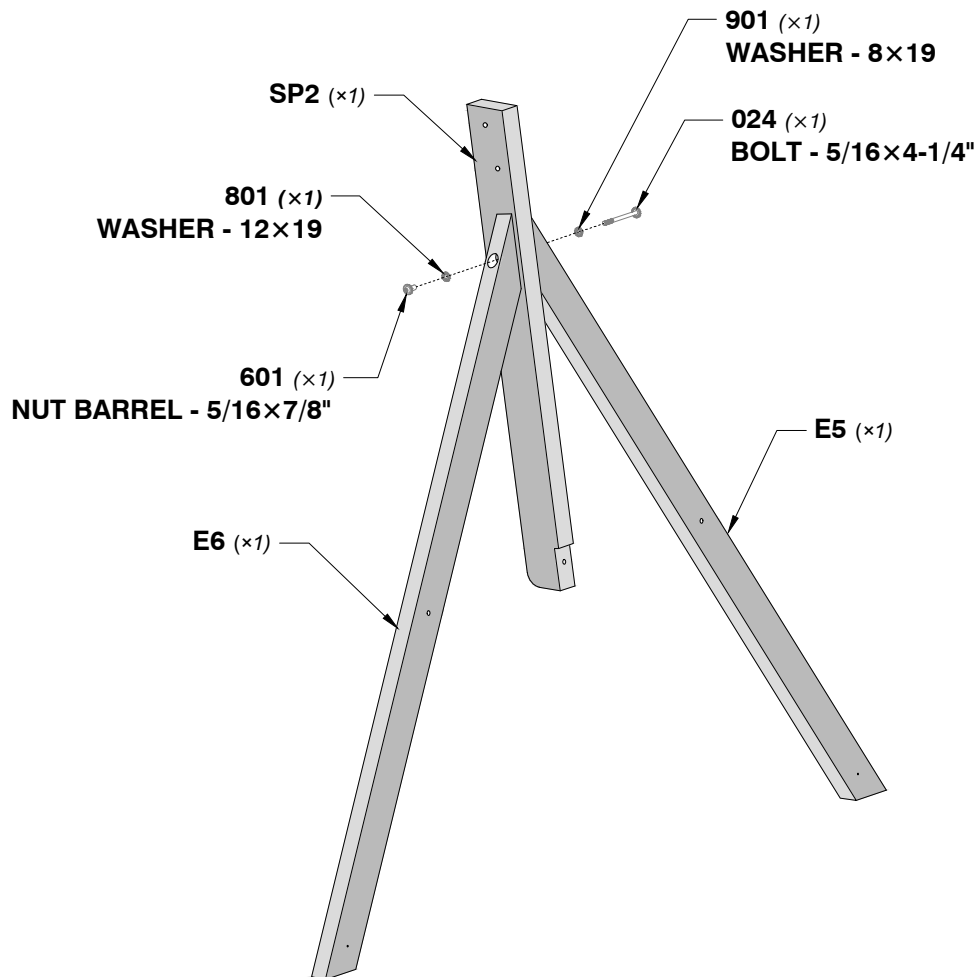
**H100601 | NUT BARREL WH**  
 (x1) | 5/16 x 7/8



**H100801 | WASHER LOCK**  
 (x1) | EXT  
 12 x 19



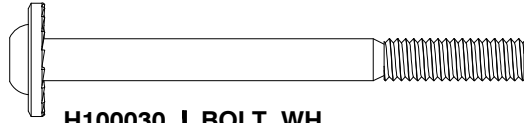
**H100901 | WASHER LOCK**  
 (x1) | EXT  
 8 x 19



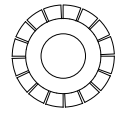
# STEP 31



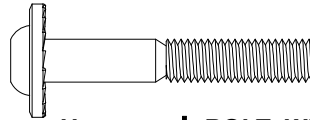
**W2 | END SUPPORT-W4L12232**  
 (x1) | 3/4" x 3 3/8" x 42 3/4" (19 x 86 x 1085)



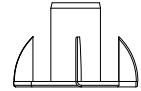
**H100030 | BOLT WH**  
 (x1) | 5/16 x 3-1/2



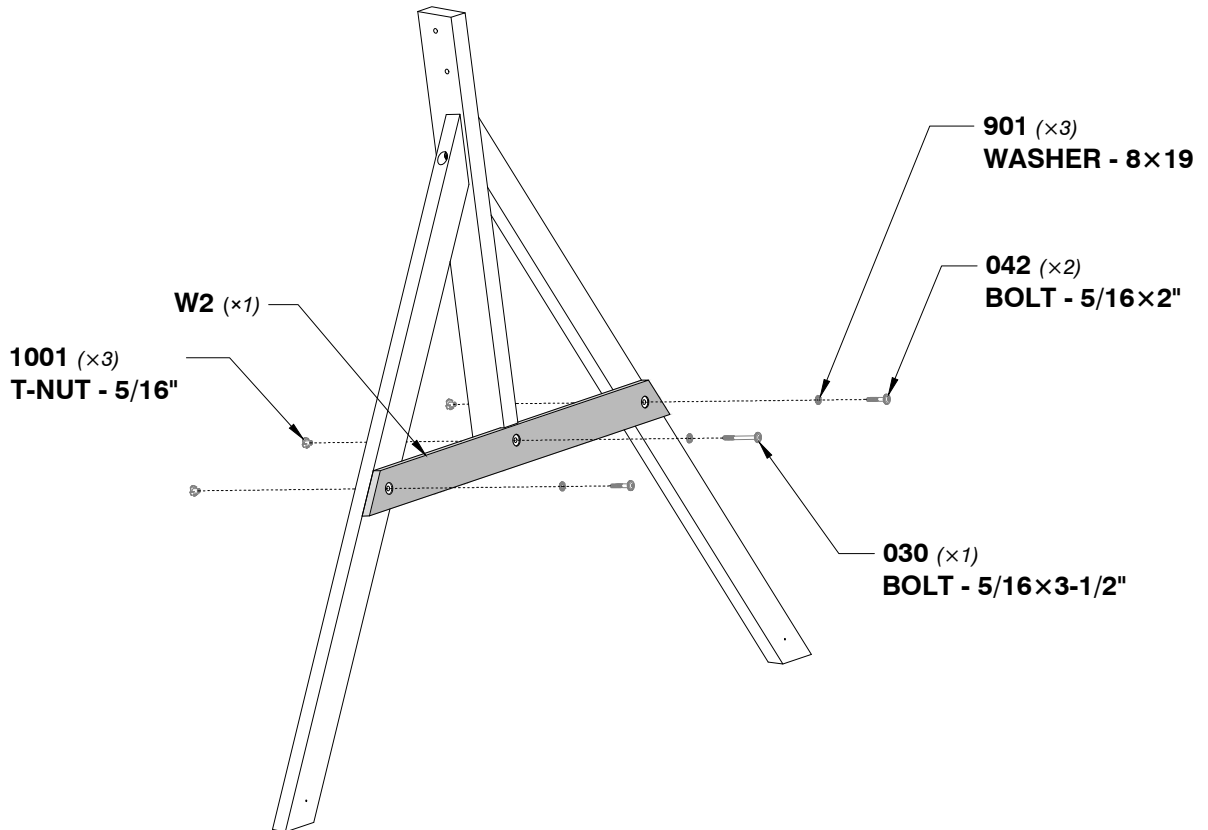
**H100901 | WASHER LOCK**  
 (x3) | EXT  
 8 x 19



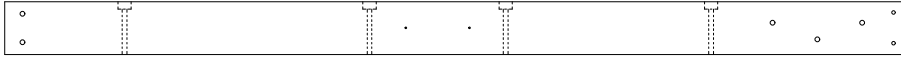
**H100042 | BOLT WH**  
 (x2) | 5/16 x 2



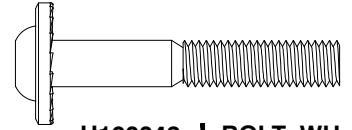
**H101001 | T-NUT**  
 (x3) | 5/16



# STEP 32



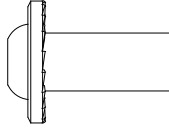
**SP1 | SWING BEAM-W4L12201**  
 (x1) | 2"×4 3/8"×75 1/4" (50×112×1910)



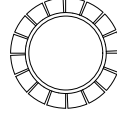
**H100042 | BOLT WH**  
 (x5) | 5/16×2



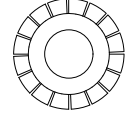
**A100101 | PLATE 5 HOLE**  
 (x2)



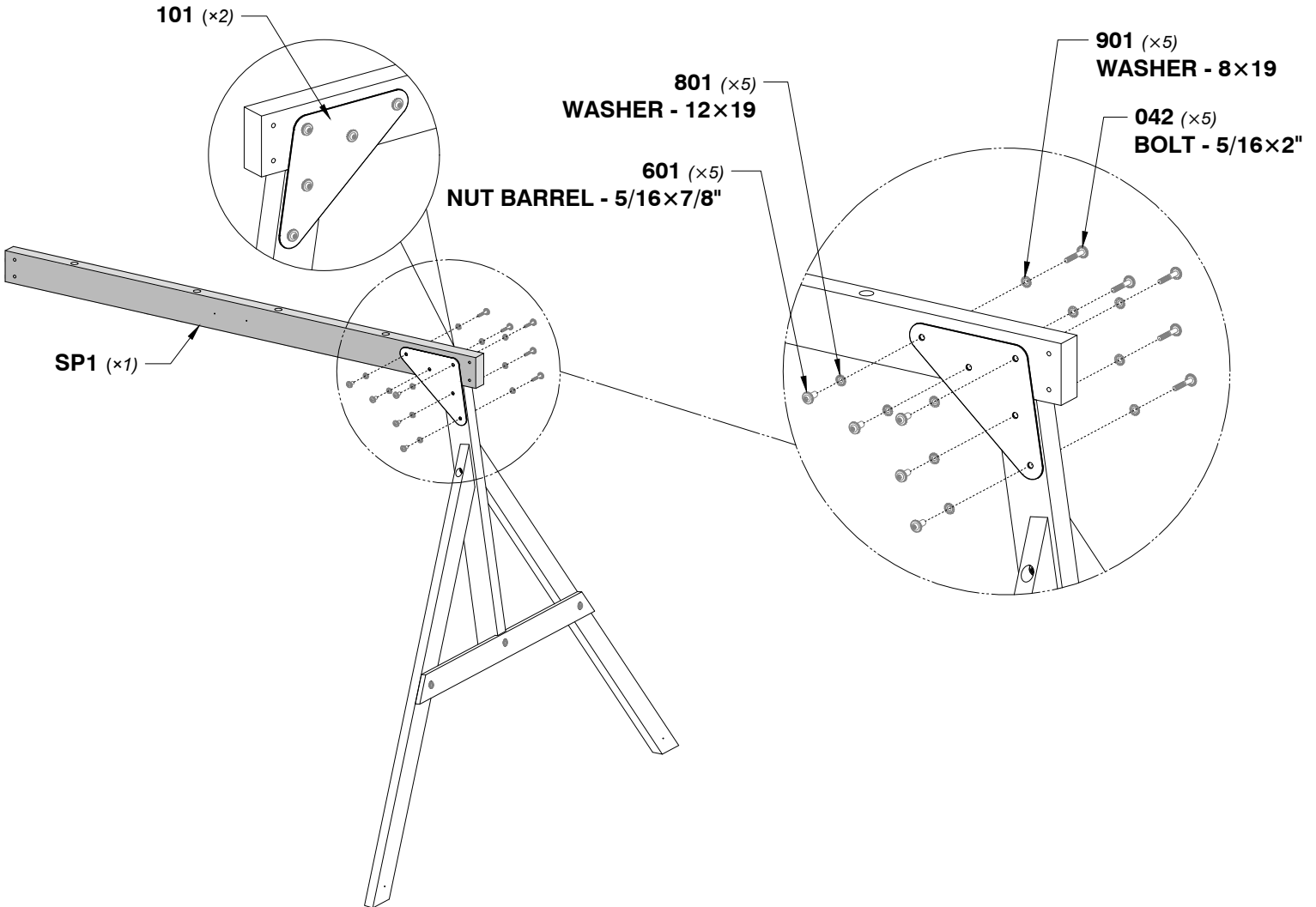
**H100601 | NUT BARREL WH**  
 (x5) | 5/16×7/8



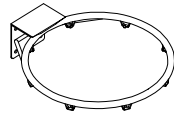
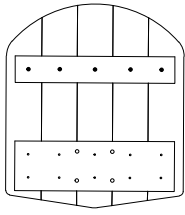
**H100801 | WASHER LOCK**  
 (x5) | EXT  
 12×19



**H100901 | WASHER LOCK**  
 (x5) | EXT  
 8×19



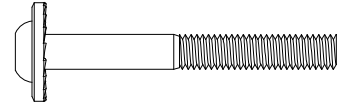
# STEP 33



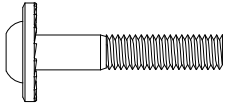
**A100135** | BASKETBALL FRAME  
(x1)

**A100103** | L BRACKET  
(x2) | 2x30x40x110

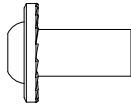
**FP2** | BASKETBALL SHELF-W2A03373  
(x1) | 1 1/4" x 15 3/4" x 18" (32x400x459)



**H100117** | BOLT WH  
(x2) | 1/4x2



**H100123** | BOLT WH  
(x4) | 1/4x1-1/4



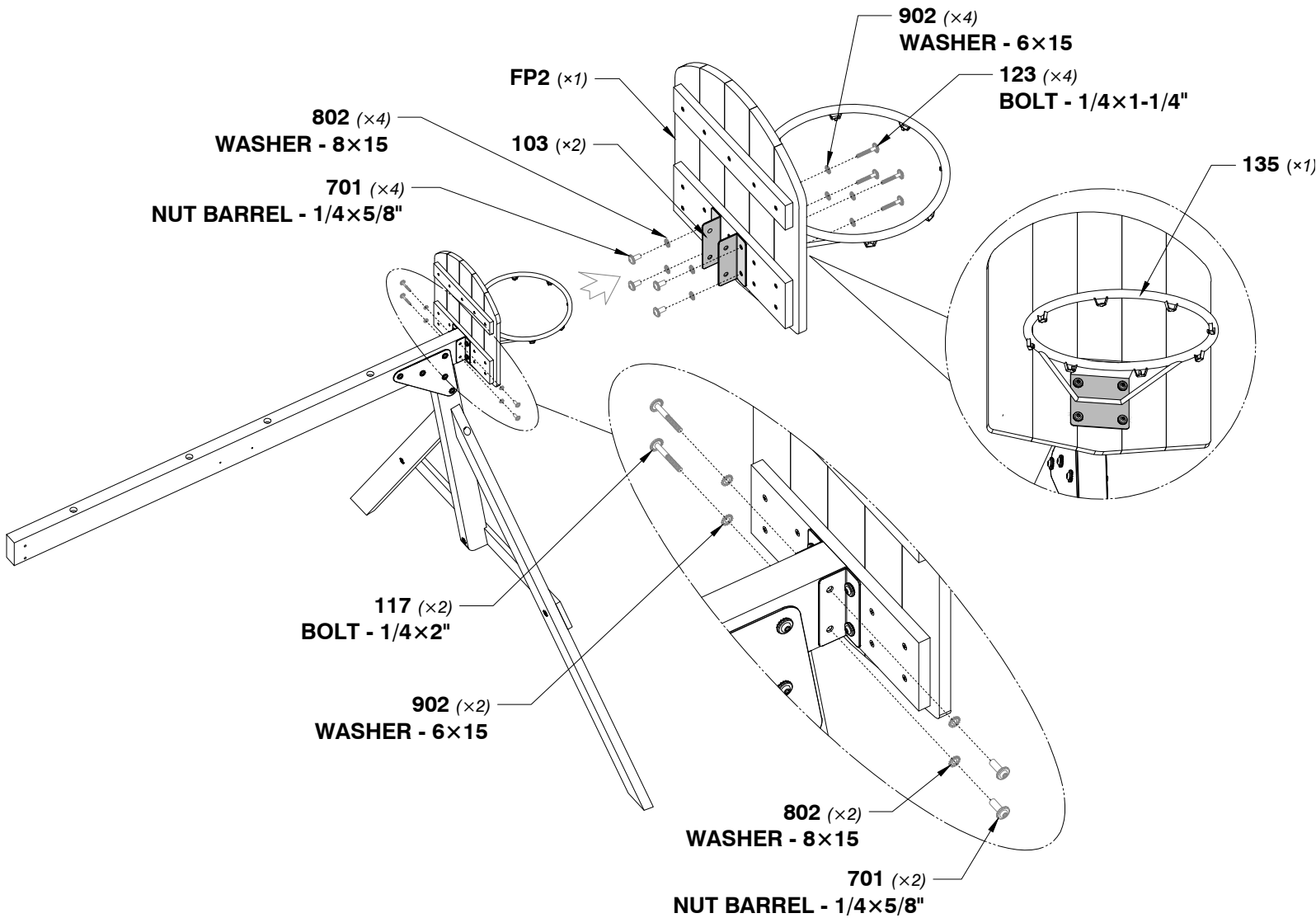
**H100701** | NUT BARREL WH  
(x6) | 1/4x5/8



**H100902** | WASHER LOCK  
(x6) | EXT  
6x15



**H100802** | WASHER LOCK  
(x6) | EXT  
8x15



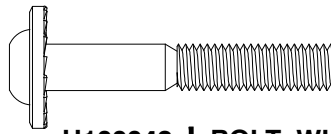
# STEP 34



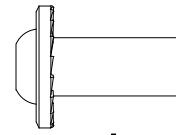
**A100102 | L BRACKET**  
(x2) | 2.5x67x67x110



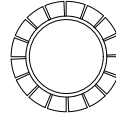
**A100136 | BASKETBALL NET**  
(x1)



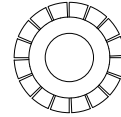
**H100042 | BOLT WH**  
(x2) | 5/16x2



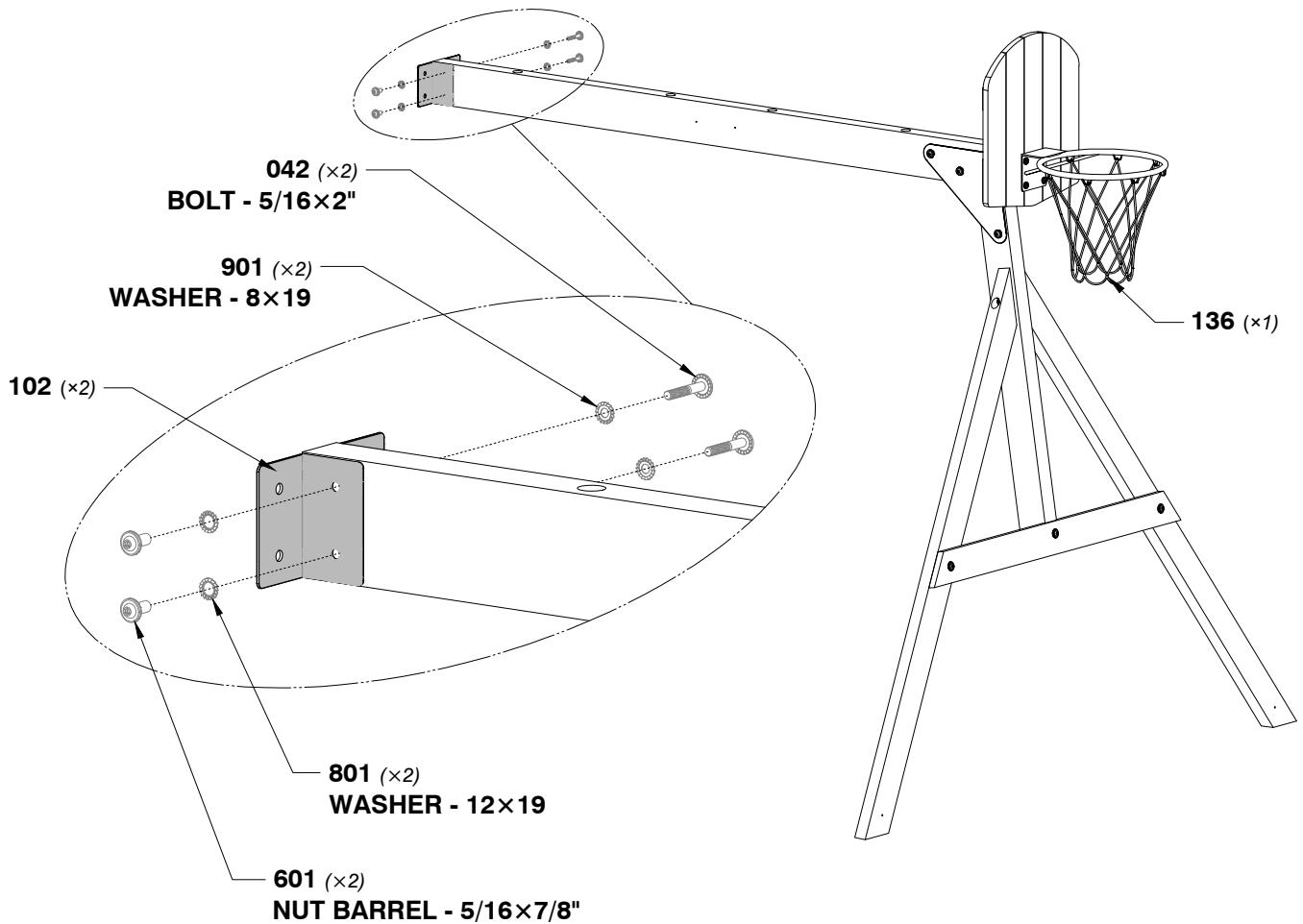
**H100601 | NUT BARREL WH**  
(x2) | 5/16x7/8



**H100801 | WASHER LOCK  
EXT**  
(x2) | 12x19



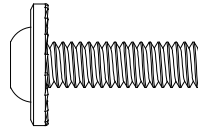
**H100901 | WASHER LOCK  
EXT**  
(x2) | 8x19



# STEP 35



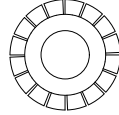
**A100168** | ID TAG  
(x1)



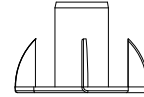
**H100050** | BOLT WH  
(x4) | 5/16x1



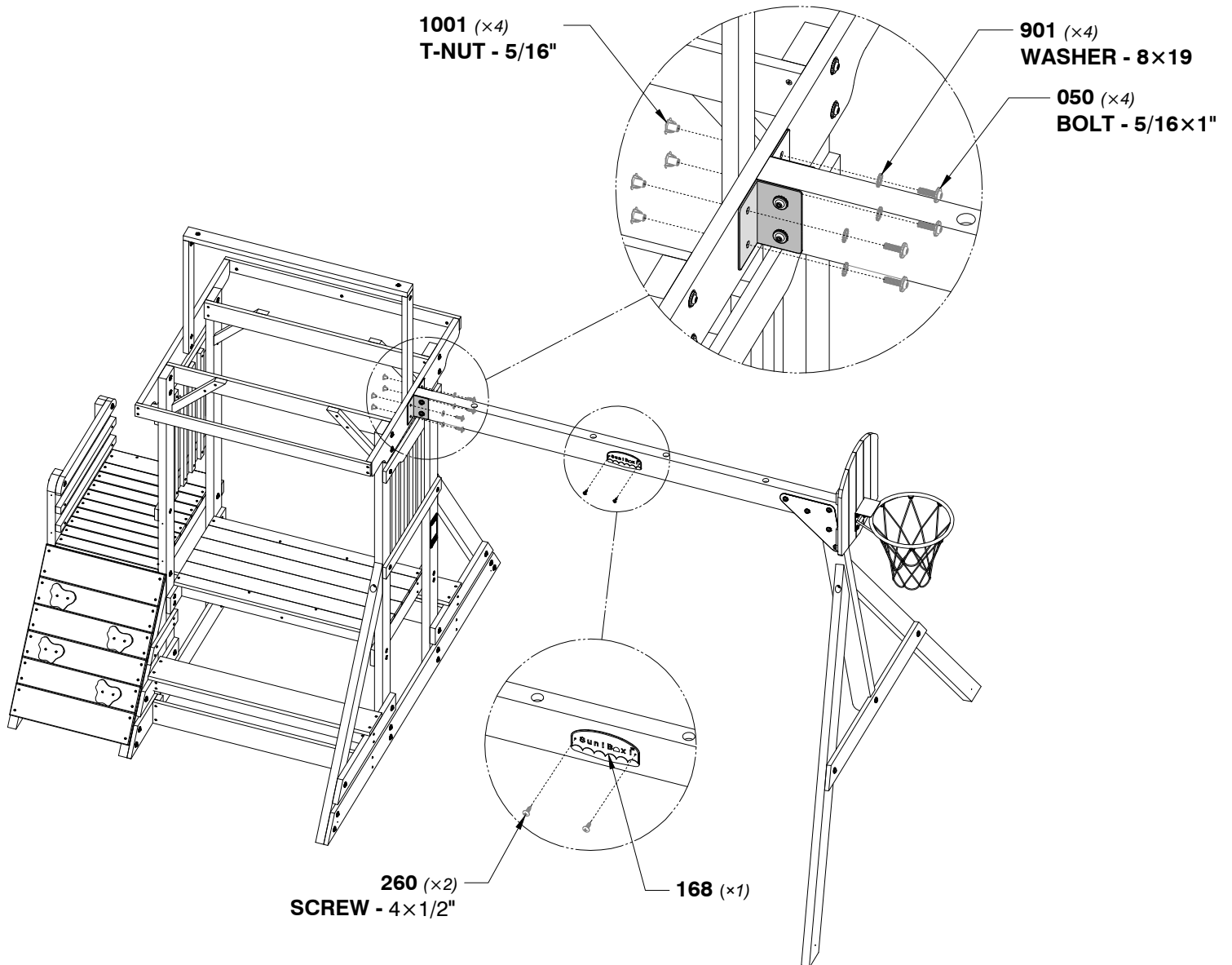
**H100260** | SCREW PWH  
(x2) | 4x1/2



**H100901** | WASHER LOCK  
(x4) | EXT  
8x19



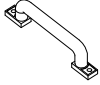
**H101001** | T-NUT  
(x4) | 5/16



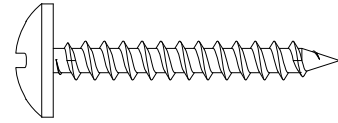
# STEP 36



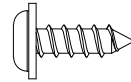
**A100501** | **SHED CLOTH**  
(×1) | (2×980×1739)



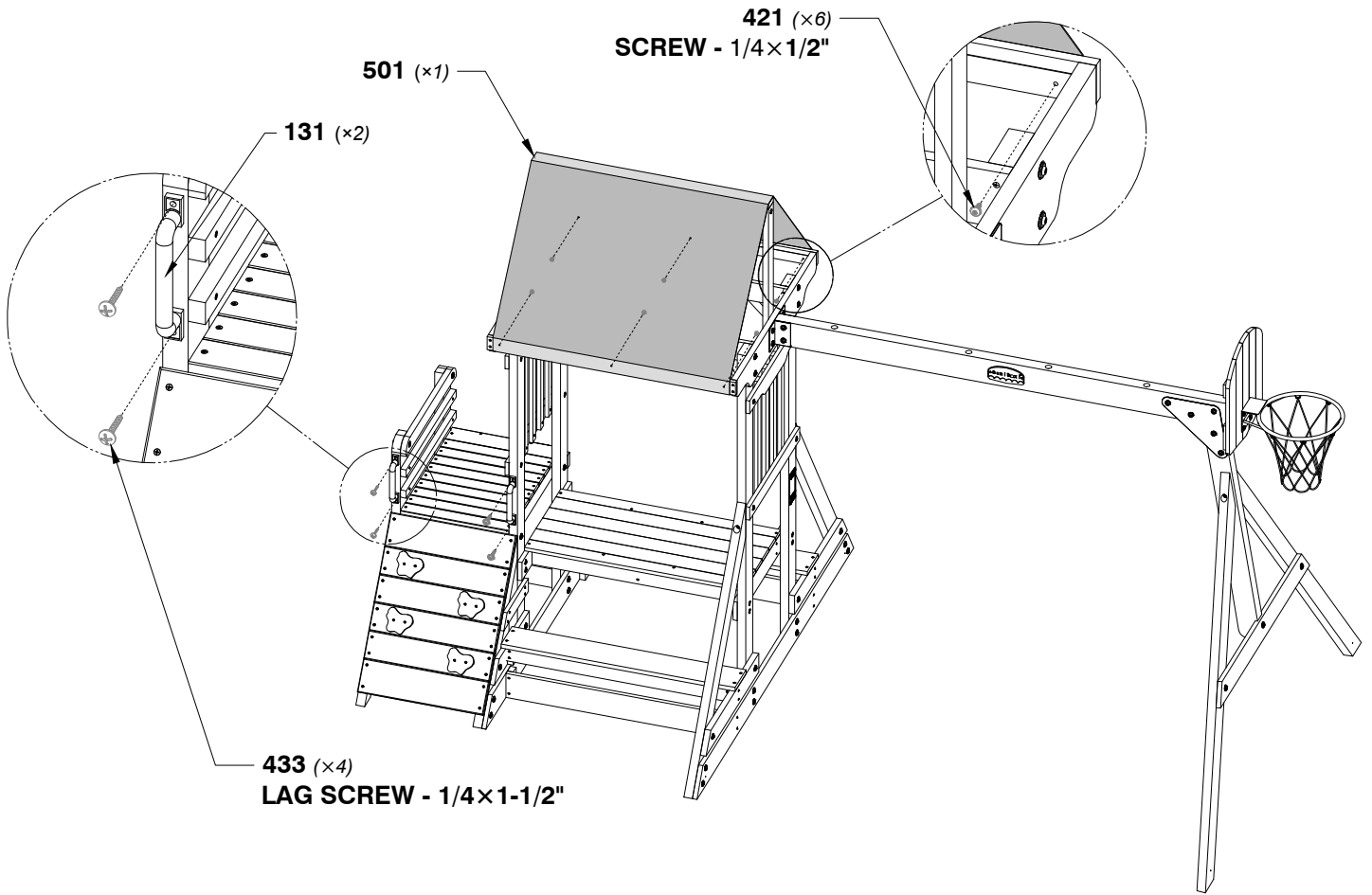
**A100131** | **HANDRAIL YELLOW**  
(×2)



**H100433** | **LAG SCREW WH**  
(×4) | 1/4×1-1/2



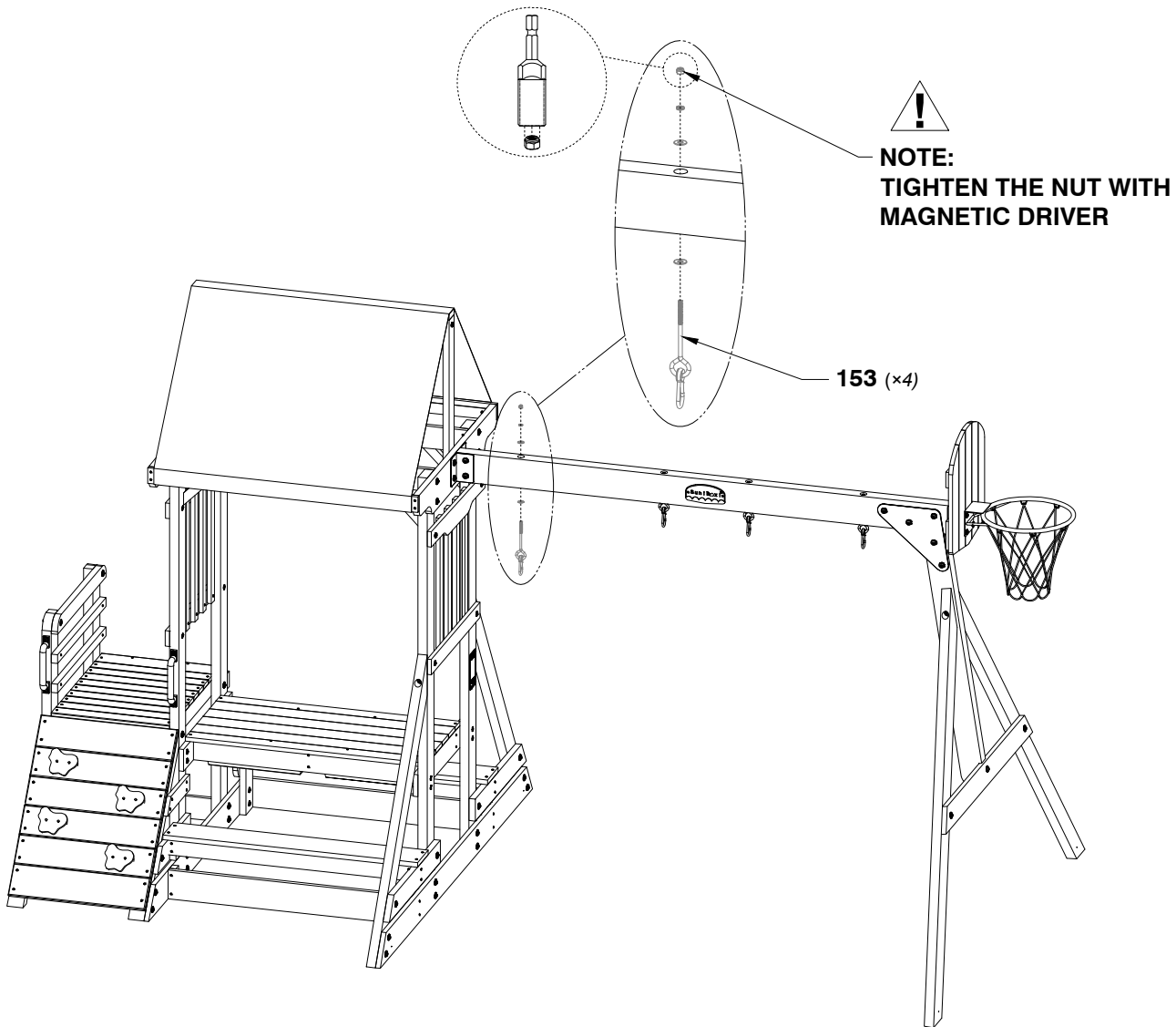
**H100421** | **SCREW PWH**  
(×6) | 1/4×1/2



# STEP 37

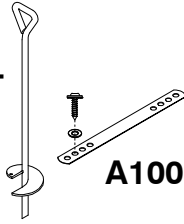


**A100153** | **SWING HANGER**  
(x4)

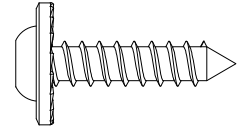


# STEP 38

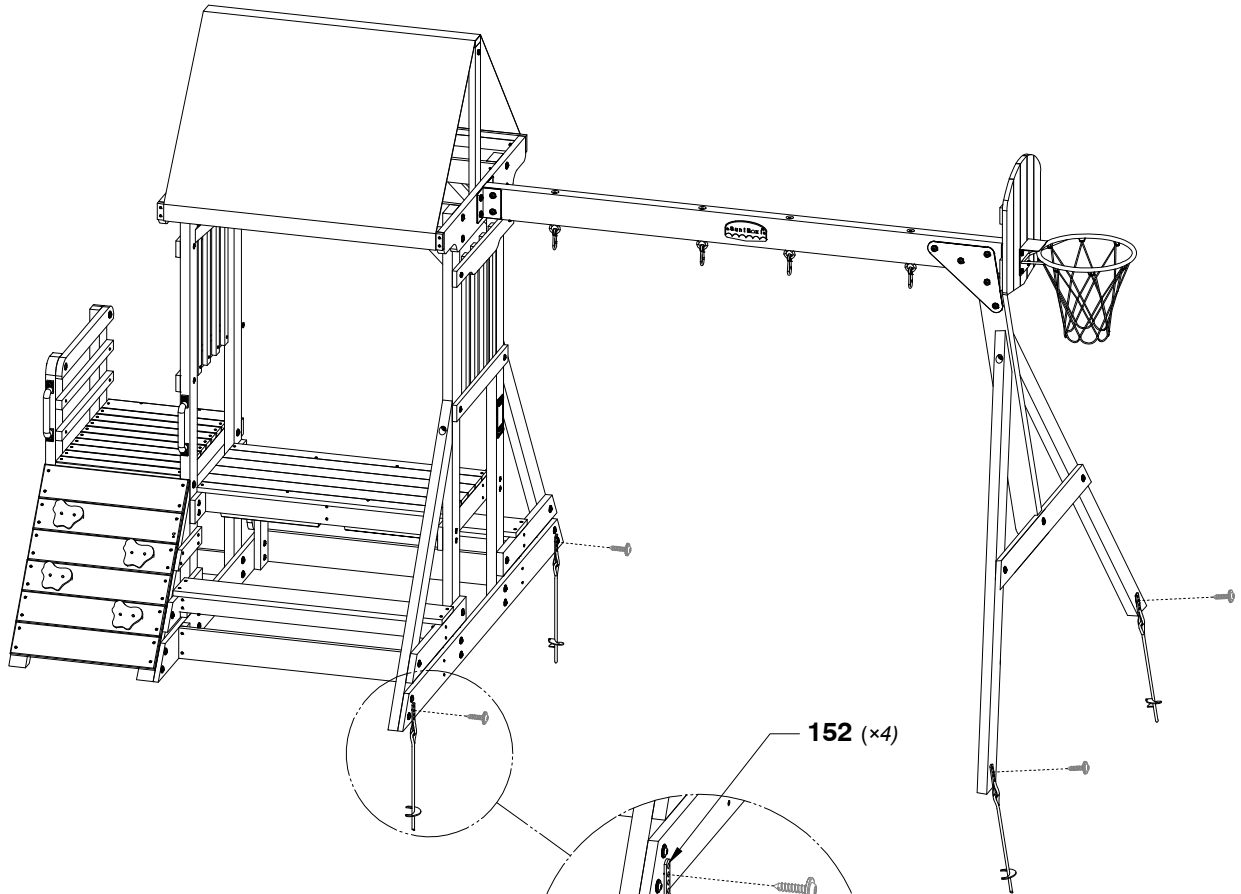
**A100151** | **ANCHOR-IT**  
(x4)



**A100152** | **ANCHOR-IT STRAP**  
(x4)



**H100223** | **LAG SCREW WH**  
(x4) | 5/16x1-1/4



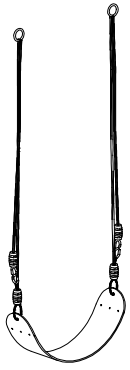
**NOTE:**  
FAILURE TO USE GROUND  
STAKES CAN VOID WARRANTY  
& CAUSE INJURY!

**152 (x4)**

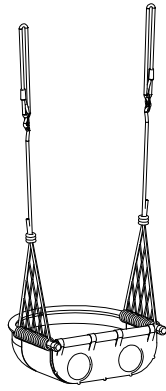
**223 (x4)**  
**LAG SCREW-5/16x1-1/4"**

**151 (x4)**

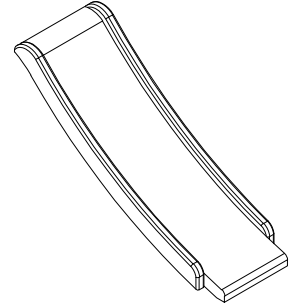
# STEP 39



**A100201 | SWING SEAT BLUE 26"**  
(x1)



**A100301 | BABY SEAT**  
(x1)

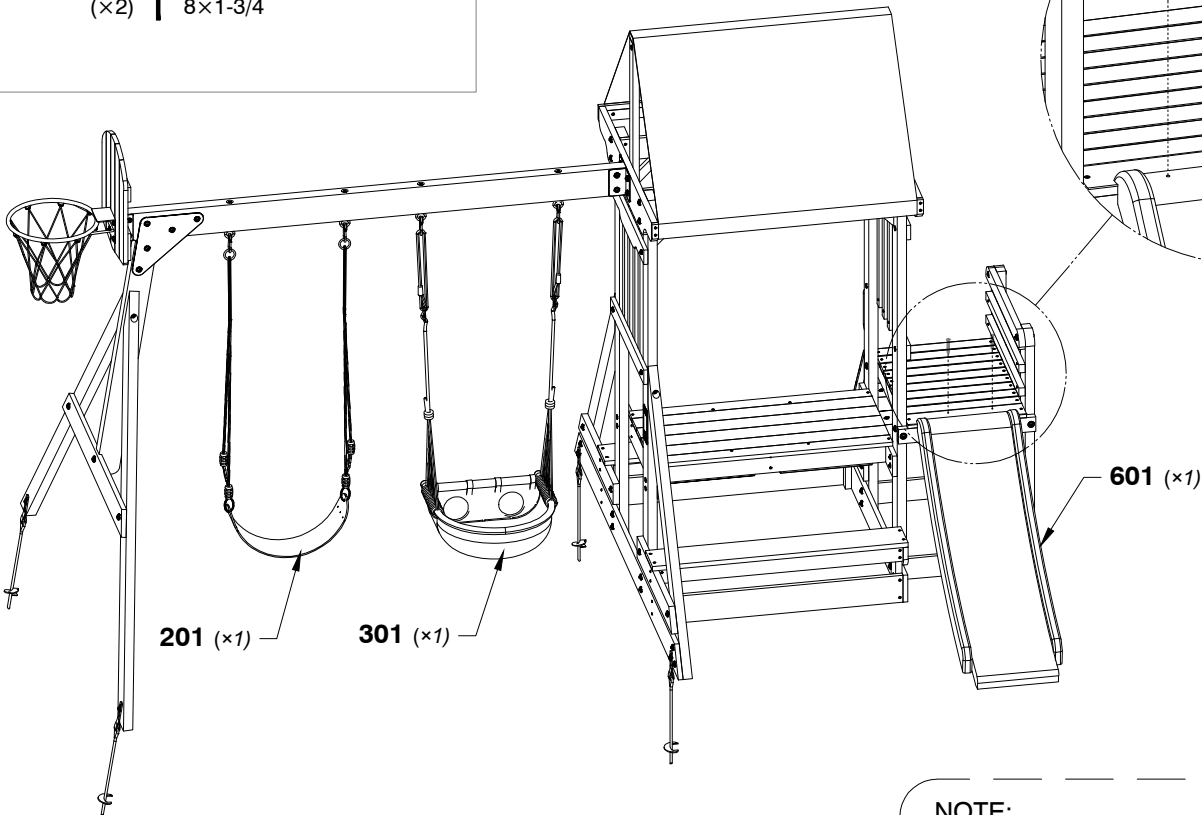
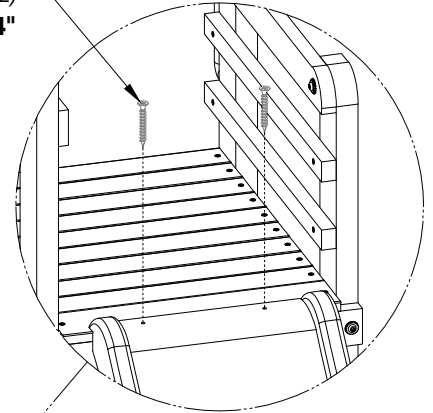


**A100601 | 6 FT SLIDE RAIL**  
(x1)



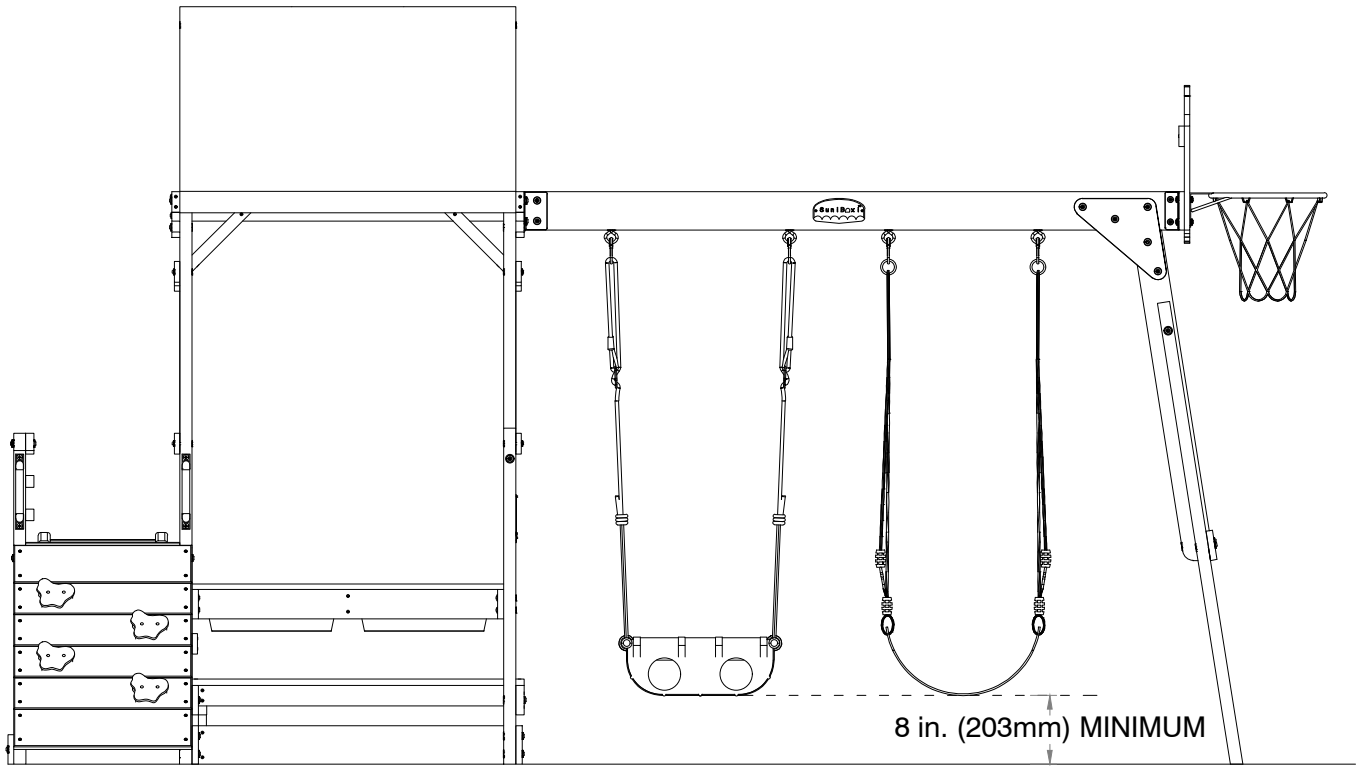
**H100511 | SCREW PWH**  
(x2) | 8x1-3/4

**511 (x2)**  
**SCREW - 1-3/4"**

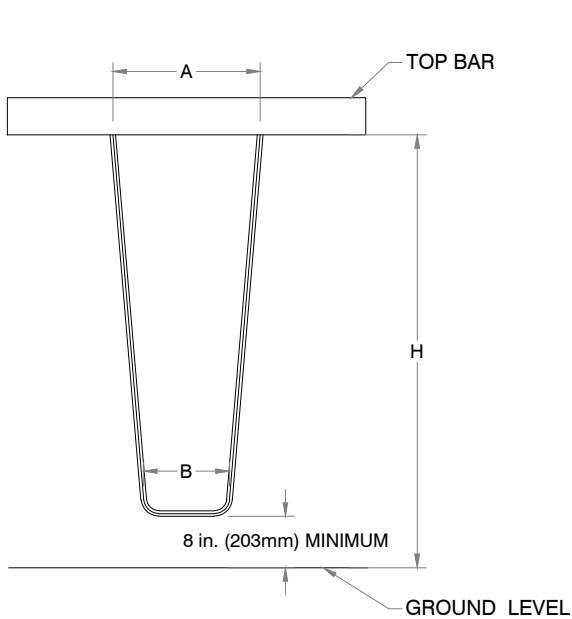


**NOTE:**  
WHEN HANGING YOUR SWINGS IT IS RECOMMENDED THAT THE BOTTOM OF THE SWING SEAT, WHEN SETTING ON IT, IS LOCATED NO LOWER THAN (35cm) 13-7/8 INCHES FROM THE GROUND.

# SWING PRECAUTIONS



## SWING ATTACHMENT SPLAY



**NOTE:**  
WHEN THE ASSEMBLED SWING SET IS INSTALLED ACCORDING TO THE MANUFACTURER'S INSTRUCTIONS, THE MINIMUM CLEARANCE BETWEEN THE GROUND SURFACE AND THE UNDERSIDE OF ANY SUSPENDED UNIT SHALL BE 8 IN. (200MM). FOR THIS CASE, THE CLEARANCE BETWEEN THE SWING ELEMENTS AND GROUND IS ADJUSTABLE.