

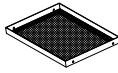
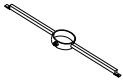
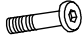



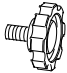
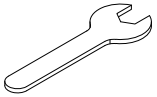
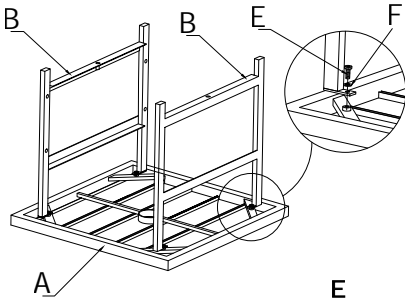


Installation & Assembly

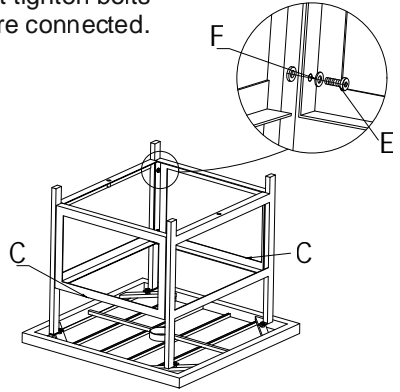
				 M6*15
A 1 PC	B 2 PCS	C 2 PCS	D 1 PC	E 14 PCS
 M6	 M6			
F 16 PCS	G 1 PC	P 2 PC	M 1 PC	H 1 PC

①

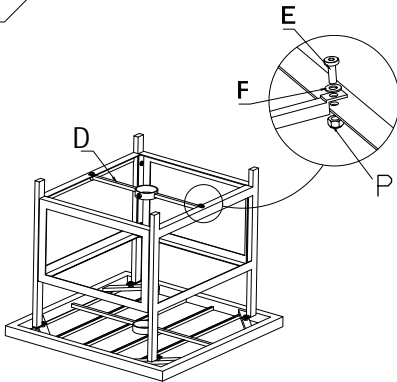
Assembly tip: Do not tighten bolts fully until all parts are connected.



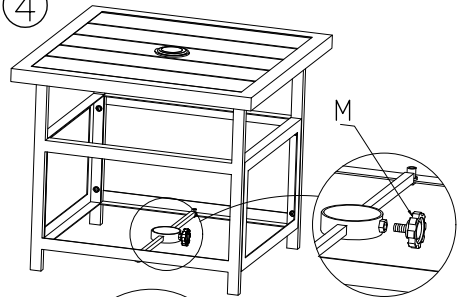
②



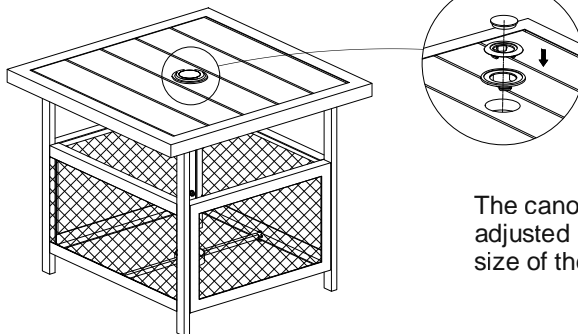
③



④



⑤



The canopy cover can be adjusted according to the size of the canopy shaft.