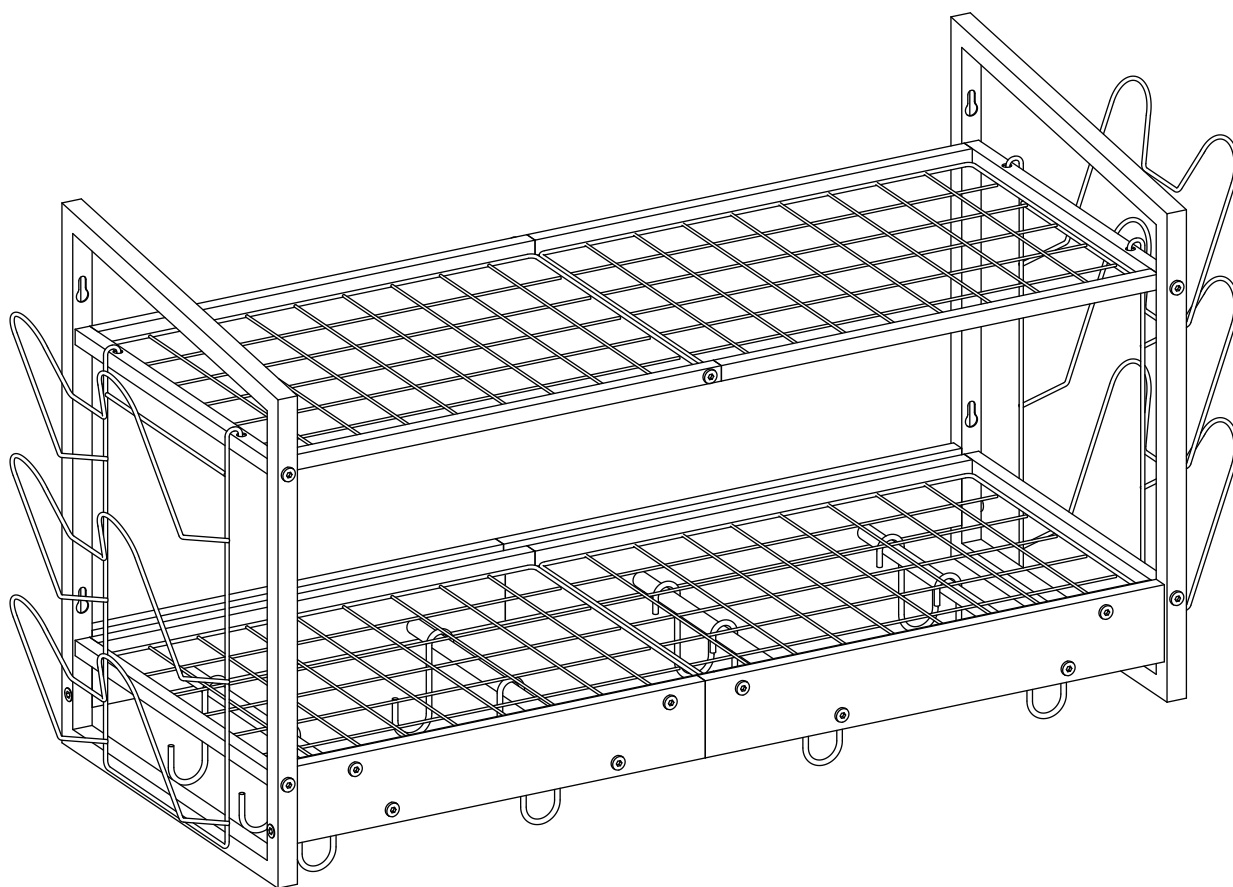


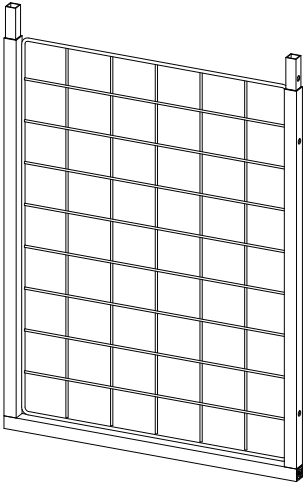
# - Pot Rack

---

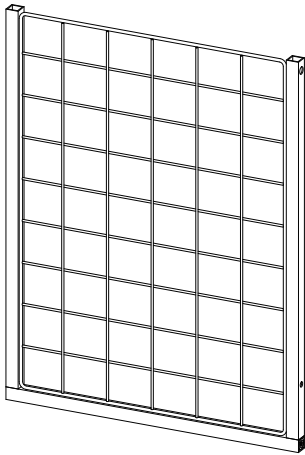


# PARTS LIST

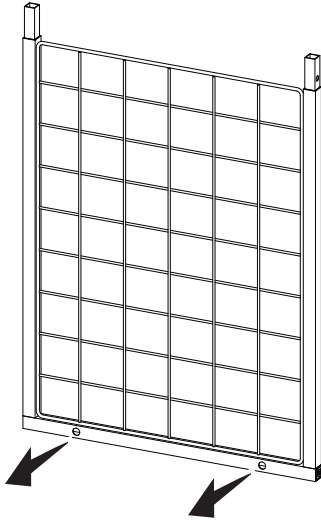
---



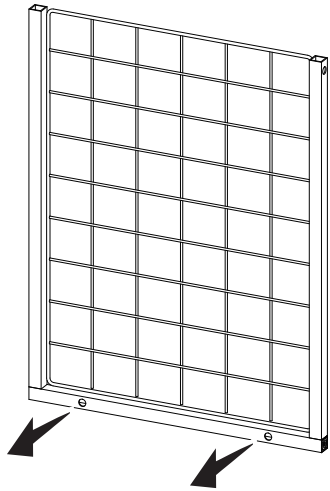
**1** x1



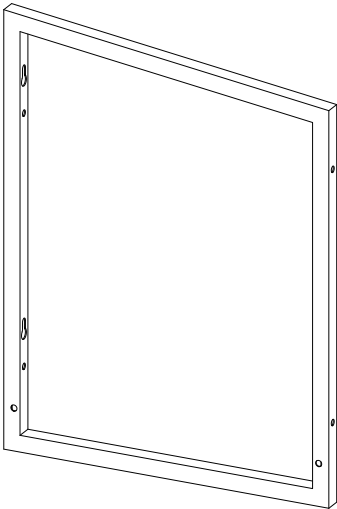
**2** x1



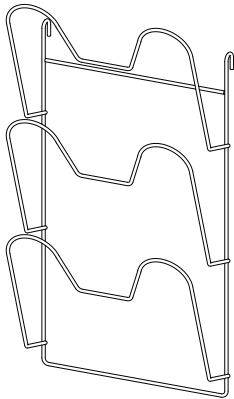
**3** x1



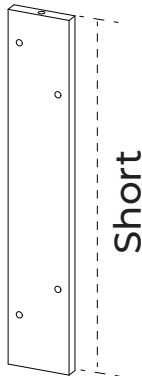
**4** x1



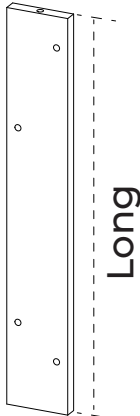
**5** x2



**6** x2



**7** x2



**8** x2



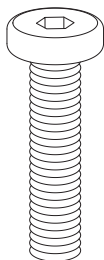
**9** x4

# HARDWARE LIST

---

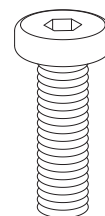


**A** x1



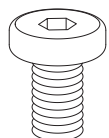
M5x25mm

**B** x8



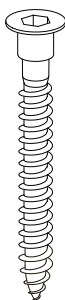
M5x20mm

**C** x16

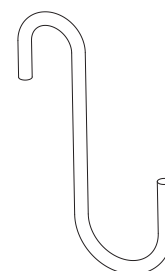


M5x10mm

**D** x2



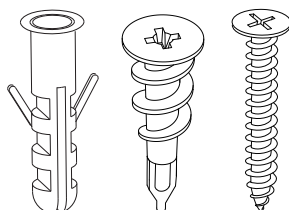
**E** x4



**F** x12

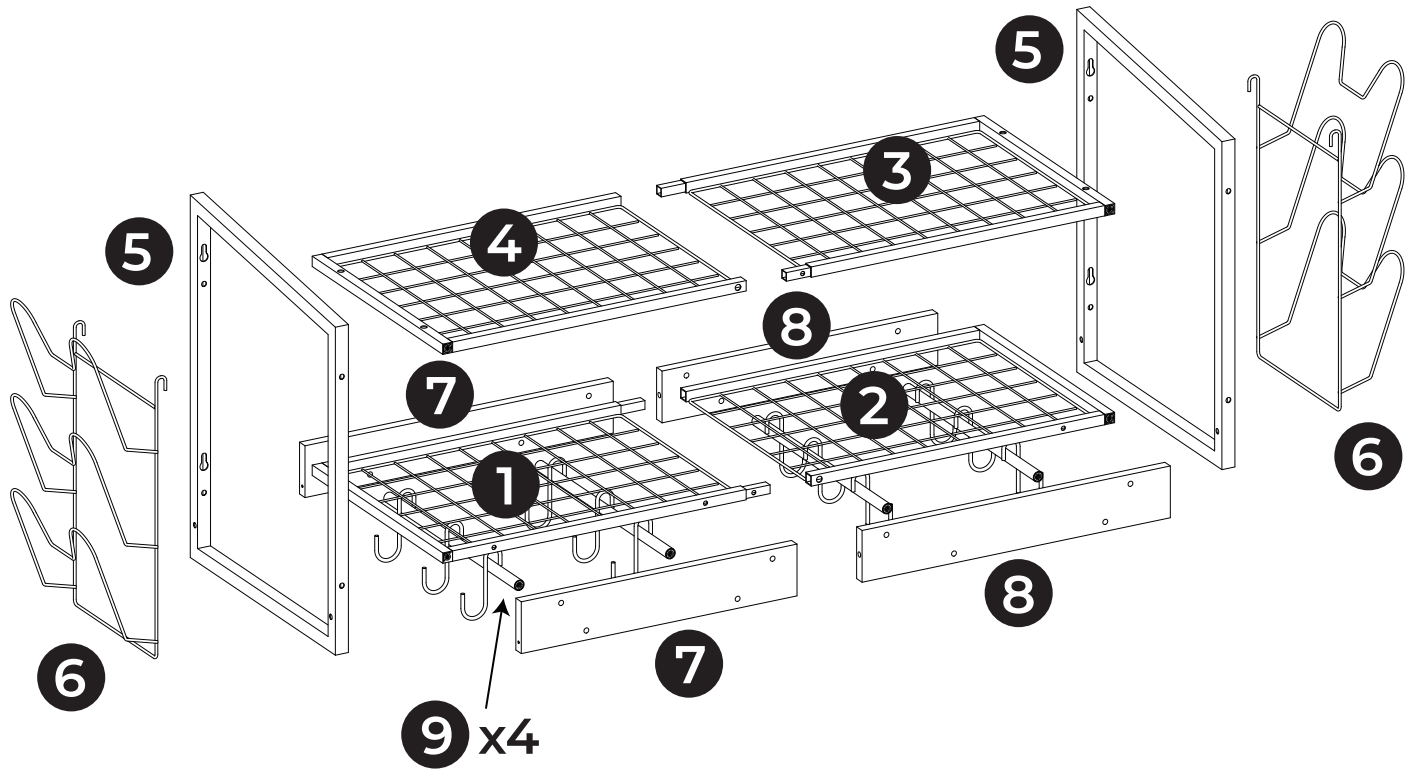


**G** x2

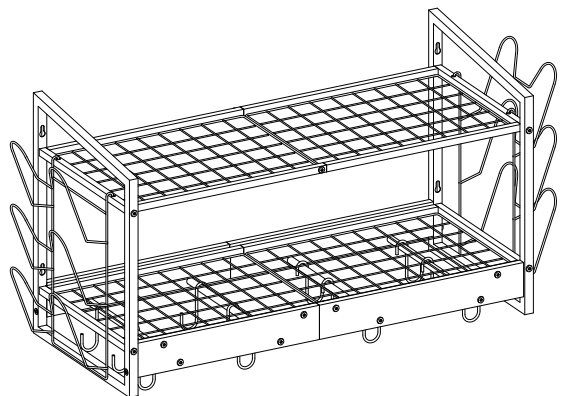


**H** x4

# EXPLODED

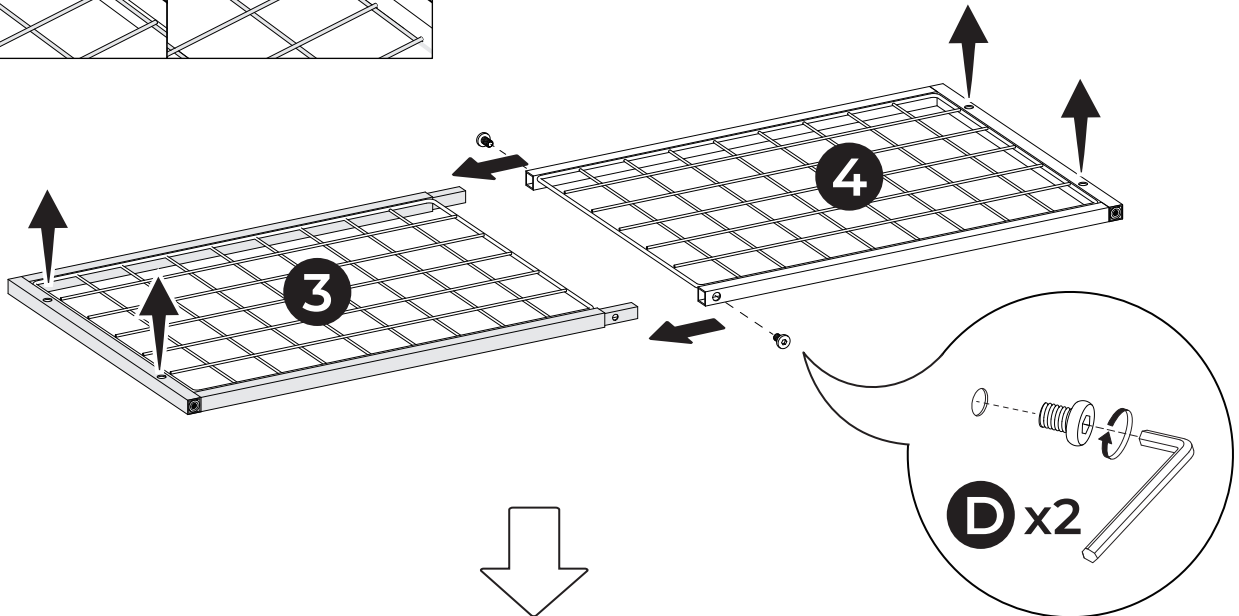
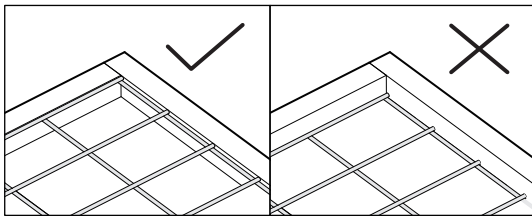



COMPLETE

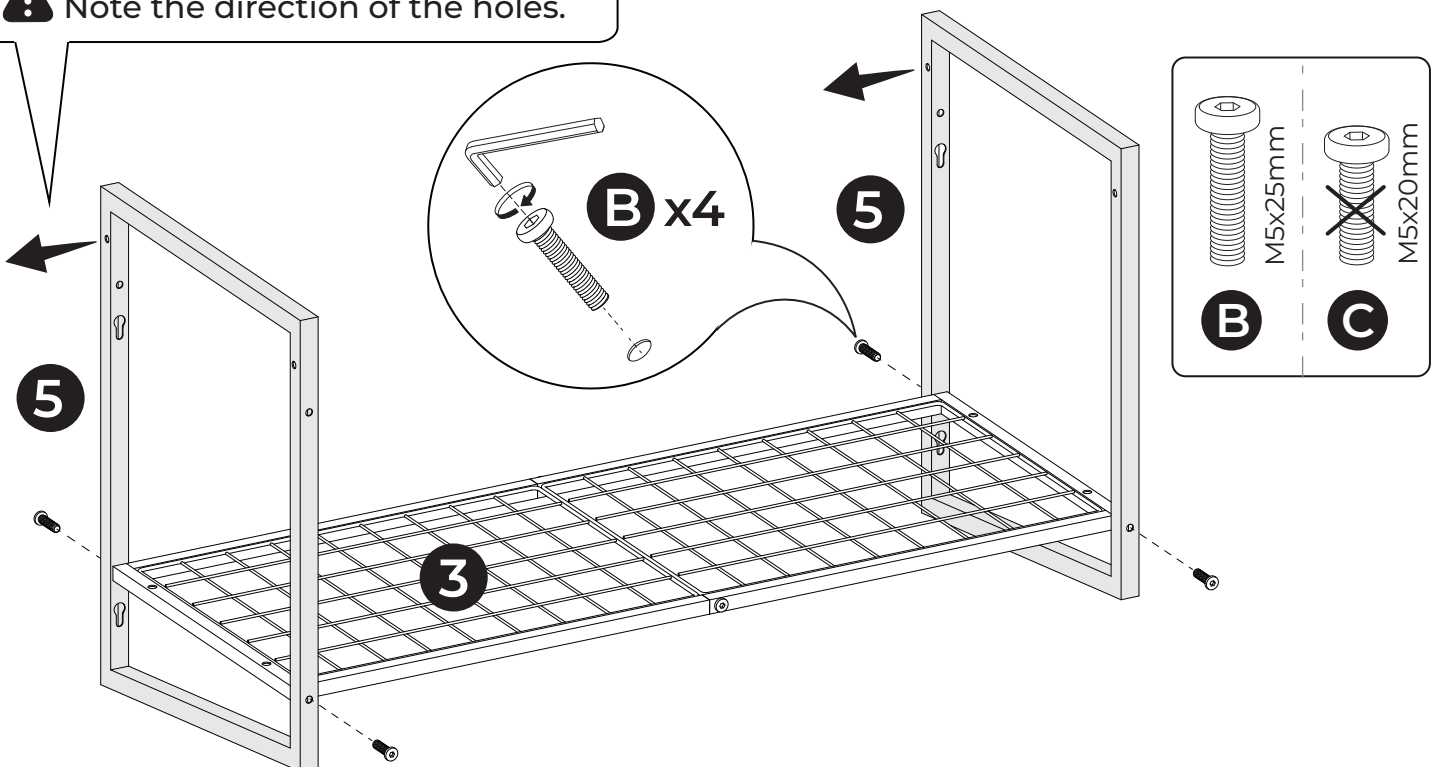


# 1. ATTENTION

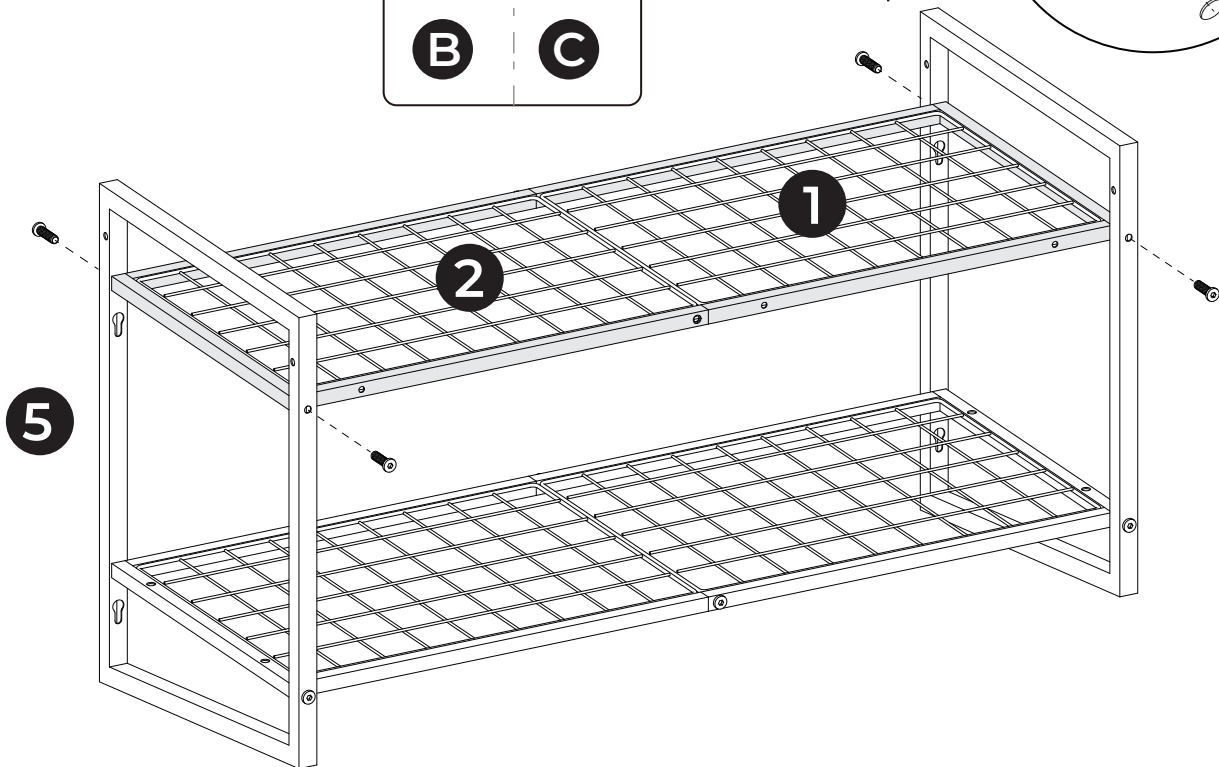
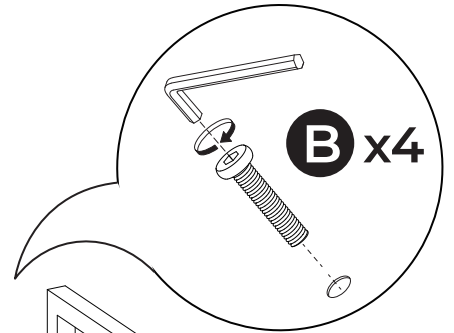
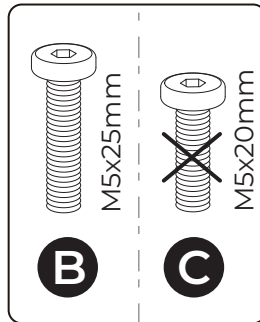
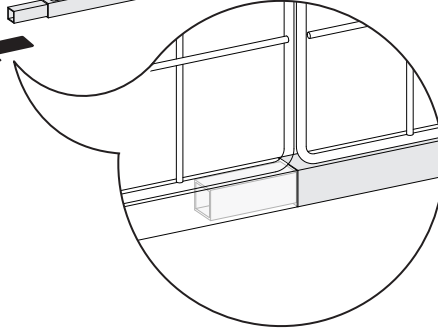
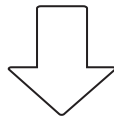
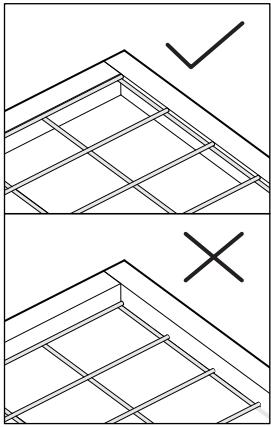
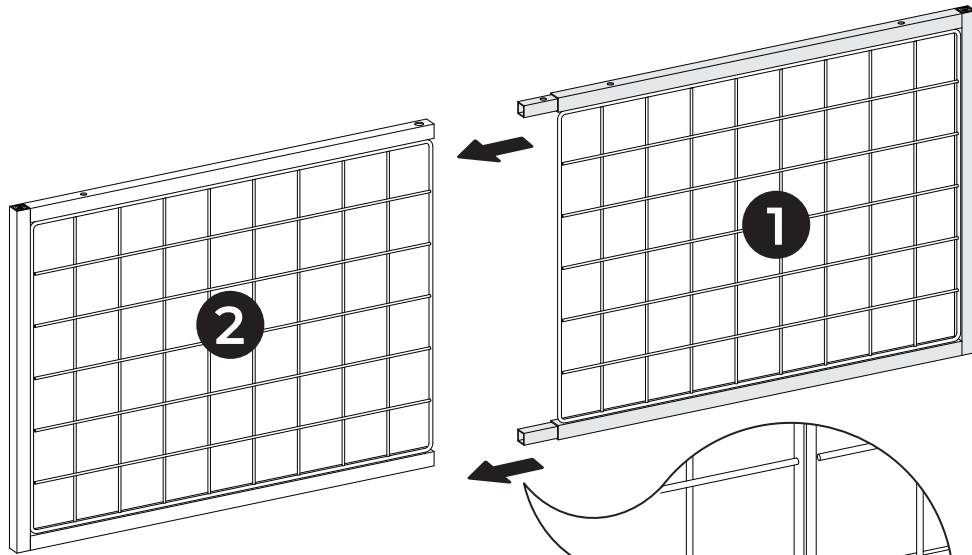
- ▶ During assembly, first loosely align all screws with the corresponding pre-drilled holes and then tighten the screws one by one.
- ▶ Note: It is recommended to complete the assembly on flat ground or carpet.



 Note the direction of the holes.

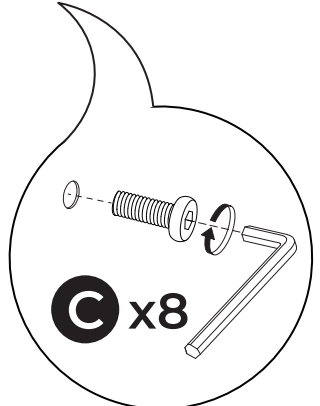
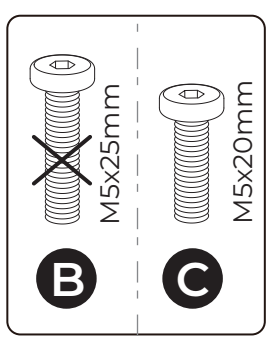
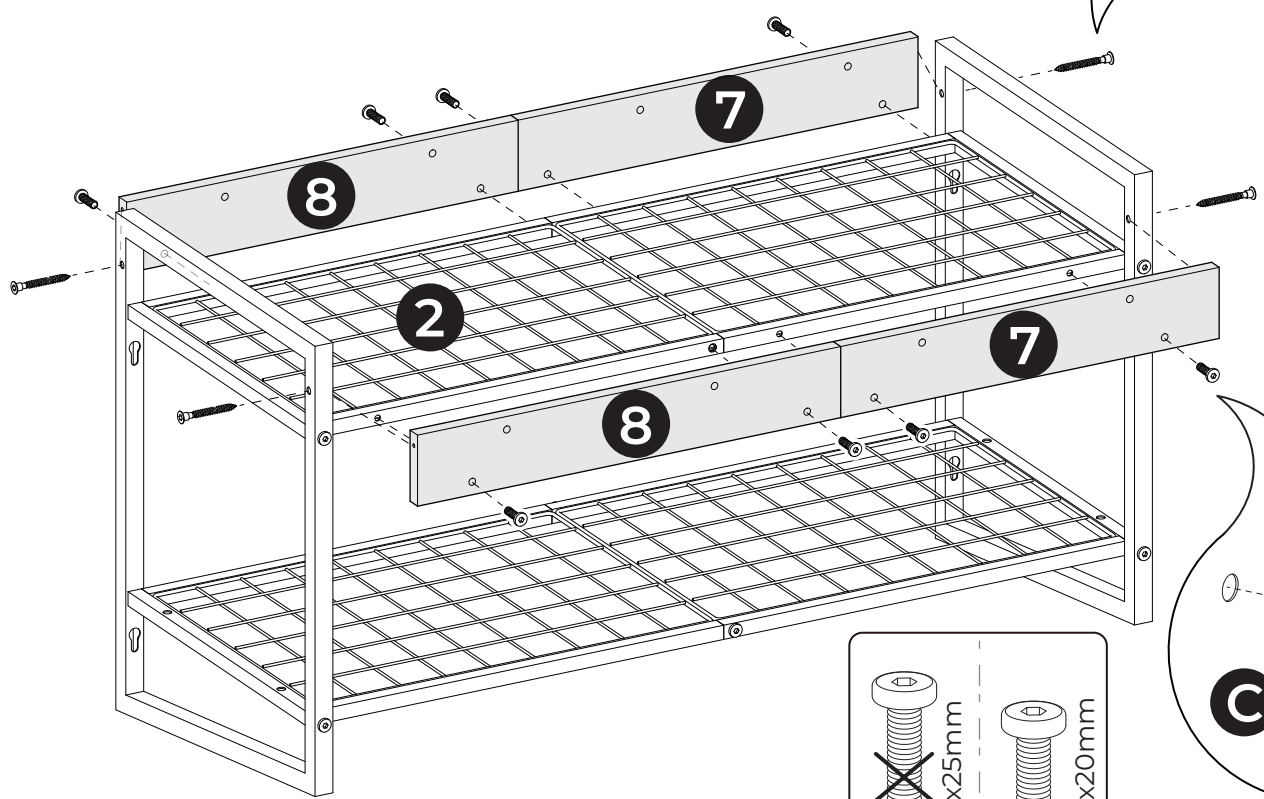
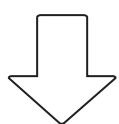
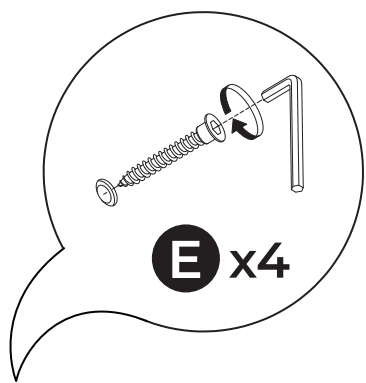
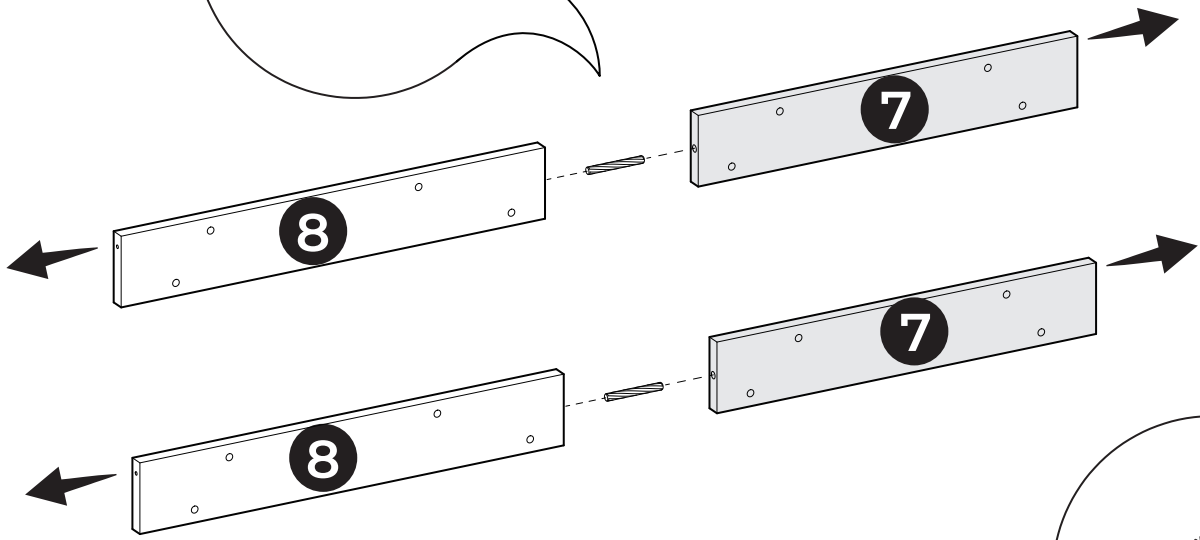
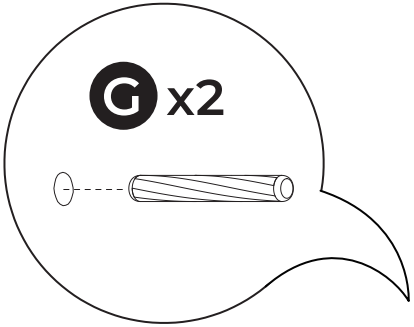


# 2.

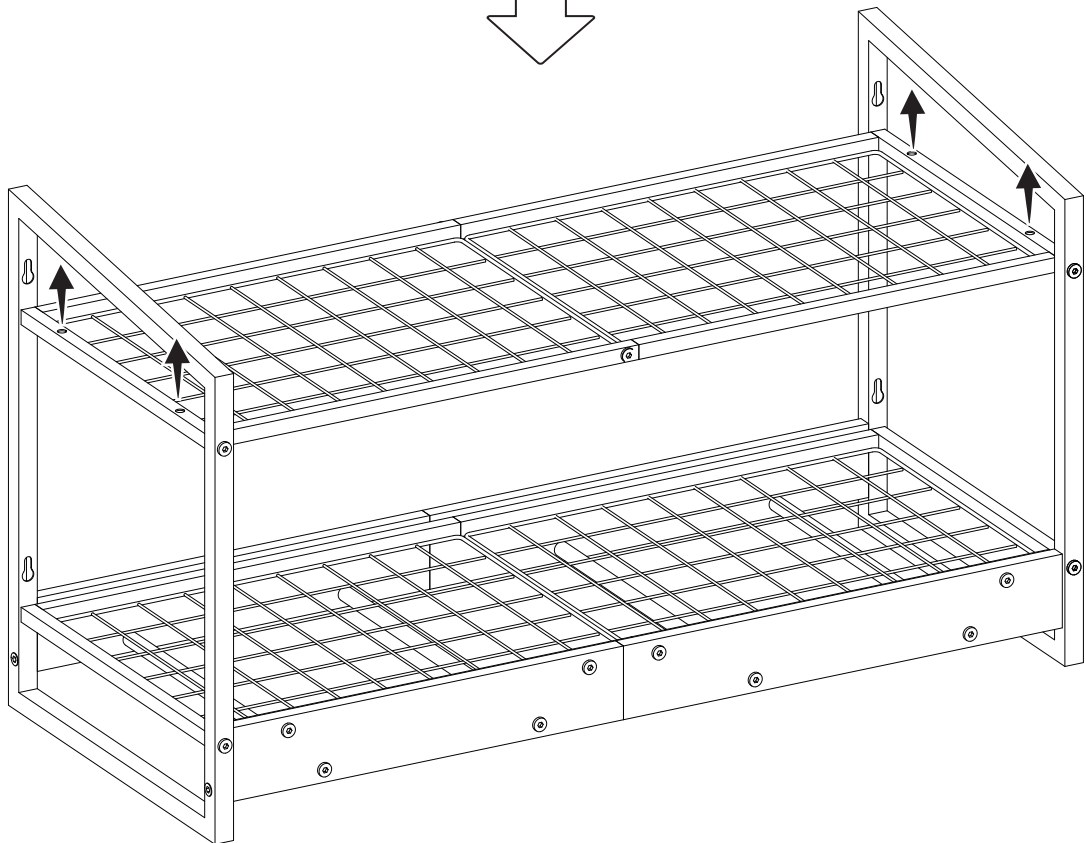
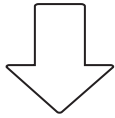
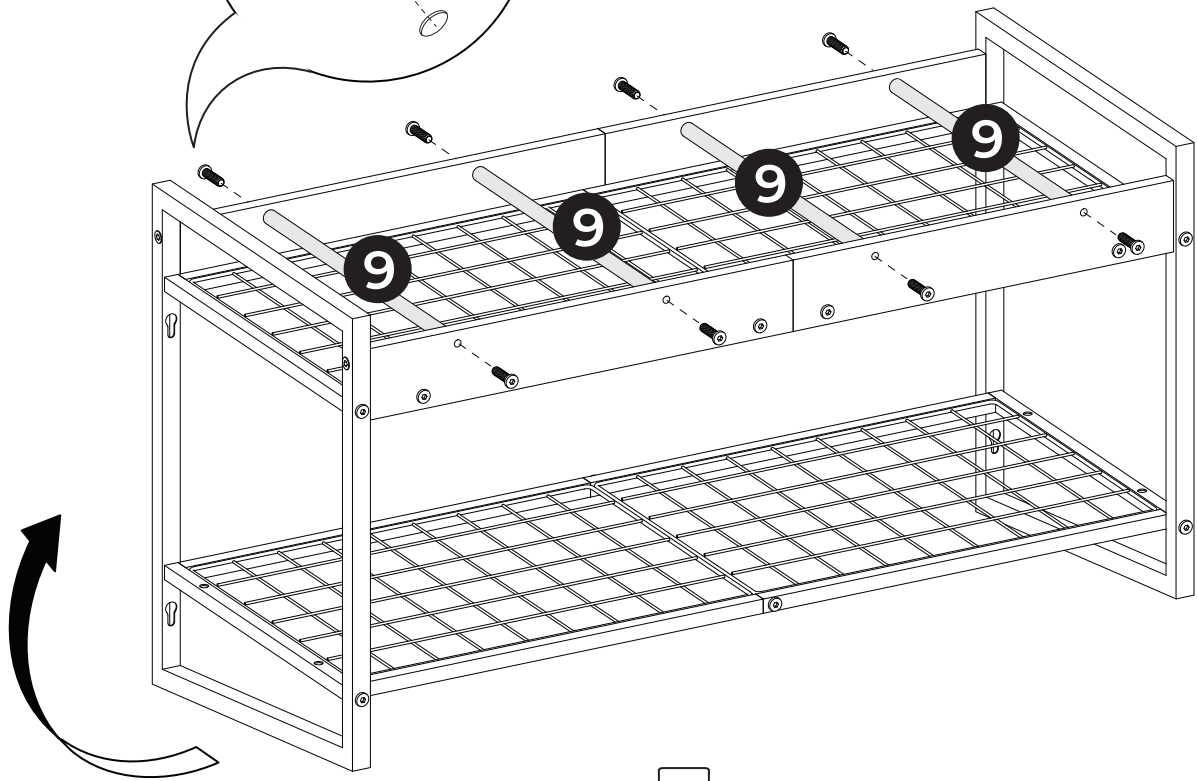
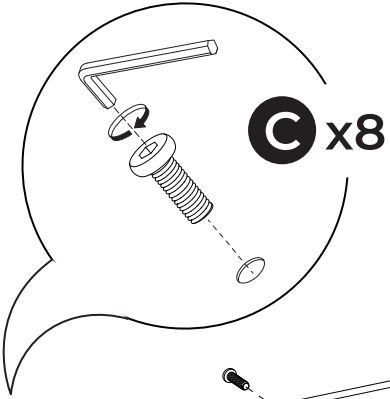
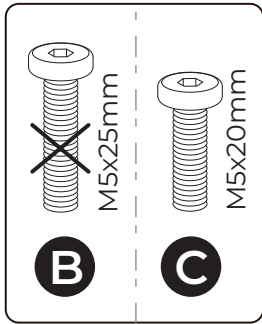


# 3.

 Note the direction of the holes.



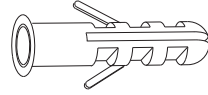
4.



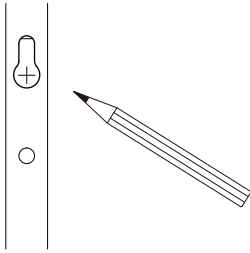
# 5. ATTENTION

- ▶ This product is equipped with two types of the expansion screws, please use the correct accessories according to the wall constructions.
- ▶ Check for hidden pipes and cables in the wall before drilling.

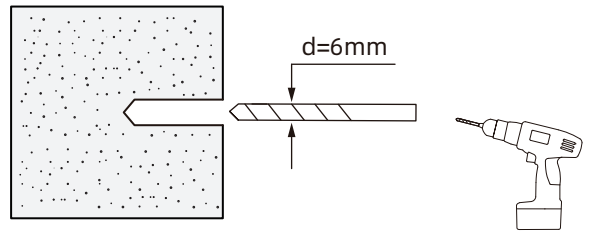
## Method 1: For solid or concrete wall.



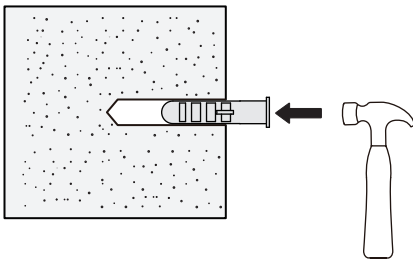
- ① Chose your desired location on the wall, have your friend hold the product in place and use a pencil to mark where the anchor will go.



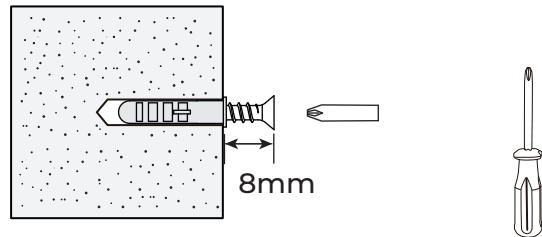
- ② Please pre-drill holes on the wall with a drill bit that's larger than the wall anchors.



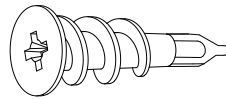
- ③ Push the wall anchor gently into the pre-drilled hole.



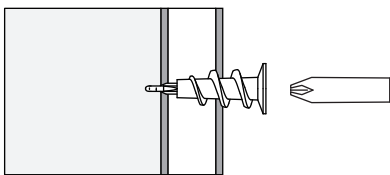
- ④ Drive the screws with a screwdriver into the wall anchor to complete the installation.



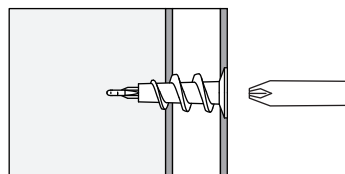
## Method 2: For hollow wall.



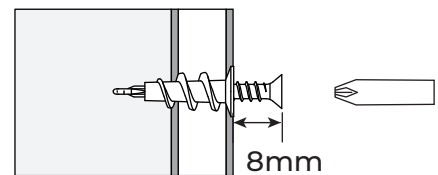
- ① Using a phillips screwdriver or drill bit, Press the anchor into your wall.



- ② Apply moderate pressure and screw the anchor into the wall until it's flush with the drywall.



- ③ Insert a screw into the item to be hung then drive that screw into the anchor.



# 6.

