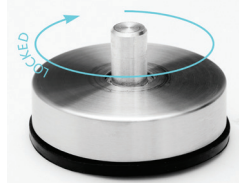


FEATURES

- Decorative single robe hook coordinates with Cara bath accessories.
- Powerful vacuum suction holding system. Suitable for all kinds of smooth surfaces: solid surface material, glass, tile, marble, metal.
- Includes a super strong load-bearing flange with vacuum suction system.
- Time saving, easy installation. Position the flange, rotate clockwise to lock in place. The strong moisture resistance of the vacuum suction means Cara bath accessories stay in place and won't fall off.
- To remove, rotate counter-clockwise to unlock. To re-position simply clean the surface, attach the flange and lock in place.
- Heavy duty 304 stainless steel.



FINISH

- 2 finishes: polished chrome, brushed stainless

WARRANTY

- Lifetime Limited Residential / 5 Year Commercial on finish
5 Year Limited Residential / 1 Year Commercial on vacuum suction system

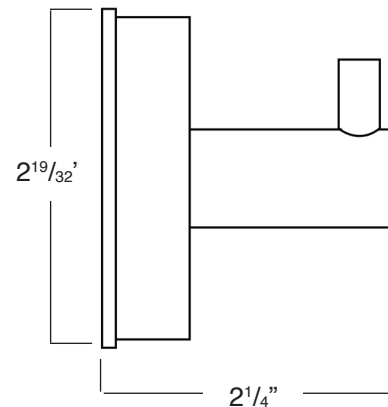
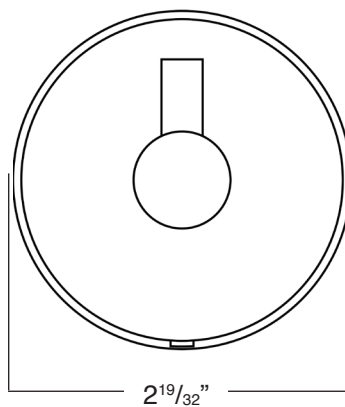
To Be Specified:

	MODEL NO.	DESCRIPTION	Diameter	Height	Depth
<input type="checkbox"/>	CRH-	Single Robe Hook	2 ¹⁹ / ₃₂ "	2 ¹⁹ / ₃₂ "	2 ¹ / ₄ "

TO ORDER add the finish code to end of model number

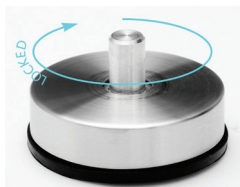
To Be Specified: Finish

	Code	Finish
<input type="checkbox"/>	PC	Polished Chrome
<input type="checkbox"/>	BS	Brushed Stainless



FEATURES

- Decorative toilet paper holder with cover coordinates with Cara bath accessories.
- Powerful vacuum suction holding system. Suitable for all kinds of smooth surfaces: solid surface material, glass, tile, marble, metal.
- Includes a super strong load-bearing flange with vacuum suction system.
- Time saving, easy installation. Position the flange, rotate clockwise to lock in place. The strong moisture resistance of the vacuum suction means Cara bath accessories stay in place and won't fall off.
- To remove, rotate counter-clockwise to unlock. To re-position simply clean the surface, attach the flange and lock in place.
- Heavy duty 304 stainless steel.



FINISH

- 2 finishes: polished chrome, brushed stainless

WARRANTY

- Lifetime Limited Residential / 5 Year Commercial on finish
5 Year Limited Residential / 1 Year Commercial on vacuum suction system

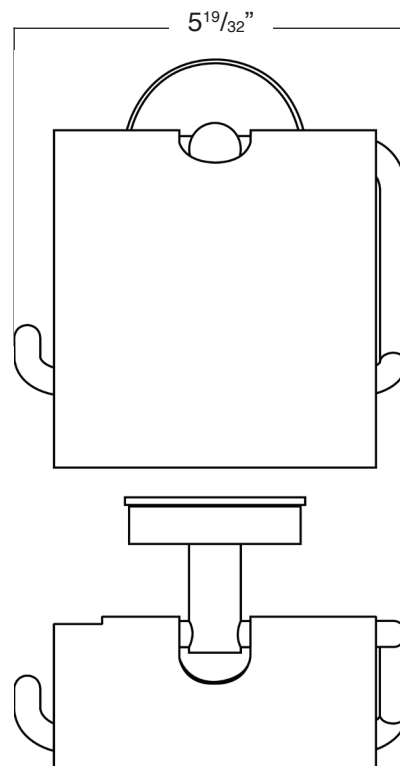
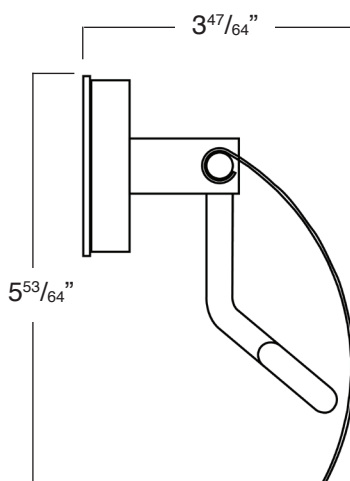
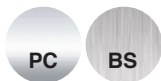
To Be Specified:

	MODEL NO.	DESCRIPTION	Length	Height	Depth
<input type="checkbox"/>	CPH-	Toilet Paper Holder with Cover	5 ¹⁹ / ₃₂ "	5 ⁵³ / ₆₄ "	3 ⁴⁷ / ₆₄ "

TO ORDER add the finish code to end of model number

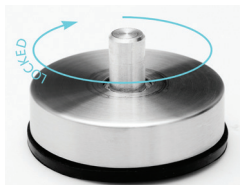
To Be Specified: Finish

	Code	Finish
<input type="checkbox"/>	PC	Polished Chrome
<input type="checkbox"/>	BS	Brushed Stainless



FEATURES

- Decorative towel bars coordinate with Cara bath accessories.
- Powerful vacuum suction holding system. Suitable for all kinds of smooth surfaces: solid surface material, glass, tile, marble, metal.
- Includes two super strong load-bearing flanges with vacuum suction system.
- Time saving, easy installation. Position the flange, rotate clockwise to lock in place. The strong moisture resistance of the vacuum suction means Cara bath accessories stay in place and won't fall off.
- To remove, rotate counter-clockwise to unlock. To re-position simply clean the surface, attach the flange and lock in place.
- Heavy duty 304 stainless steel.



FINISH

- 2 finishes: polished chrome, brushed stainless

WARRANTY

- Lifetime Limited Residential / 5 Year Commercial on finish
5 Year Limited Residential / 1 Year Commercial on vacuum suction system

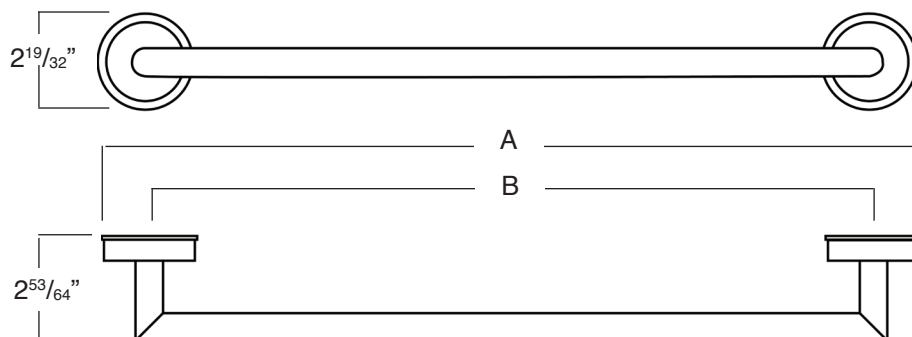
To Be Specified:

	MODEL NO.	DESCRIPTION	Length		Depth
			A	B	
<input type="checkbox"/>	CTB18-	18" Towel Bar	20 ⁷ / ₃₂ "	17 ⁵ / ₈ "	2 ⁵³ / ₆₄ "
<input type="checkbox"/>	CTB24-	24" Towel Bar	26 ⁷ / ₃₂ "	23 ⁵ / ₈ "	2 ⁵³ / ₆₄ "

TO ORDER add the finish code to end of model number

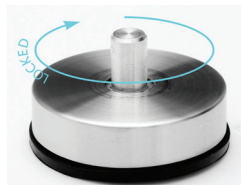
To Be Specified: Finish

	Code	Finish
<input type="checkbox"/>	PC	Polished Chrome
<input type="checkbox"/>	BS	Brushed Stainless



FEATURES

- Decorative towel ring coordinates with Cara bath accessories.
- Powerful vacuum suction holding system. Suitable for all kinds of smooth surfaces: solid surface material, glass, tile, marble, metal.
- Includes a super strong load-bearing flange with vacuum suction system.
- Time saving, easy installation. Position the flange, rotate clockwise to lock in place. The strong moisture resistance of the vacuum suction means Cara bath accessories stay in place and won't fall off.
- To remove, rotate counter-clockwise to unlock. To re-position simply clean the surface, attach the flange and lock in place.
- Heavy duty 304 stainless steel.



FINISH

- 2 finishes: polished chrome, brushed stainless

WARRANTY

- Lifetime Limited Residential / 5 Year Commercial on finish
5 Year Limited Residential / 1 Year Commercial on vacuum suction system

To Be Specified:

	MODEL NO.	DESCRIPTION	Diameter	Height	Depth
<input type="checkbox"/>	CTR-	Towel Ring	6 ¹ / ₂ "	7 ⁵¹ / ₆₄ "	2 ⁴¹ / ₆₄ "

TO ORDER add the finish code to end of model number

To Be Specified: Finish

	Code	Finish
<input type="checkbox"/>	PC	Polished Chrome
<input type="checkbox"/>	BS	Brushed Stainless

