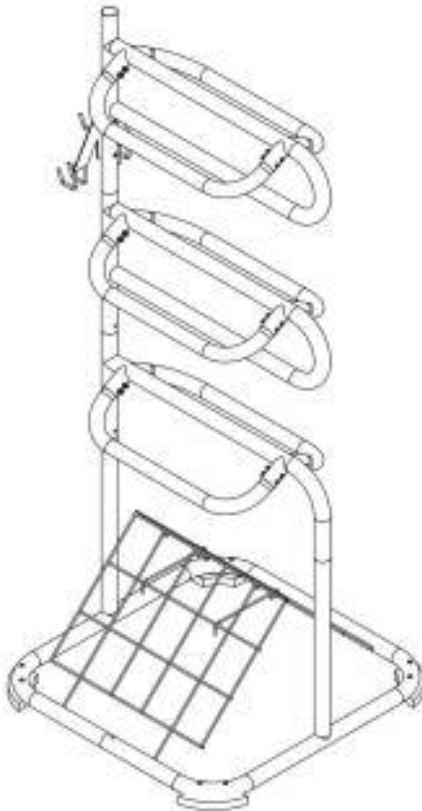


# Installation & Assembly



This is the original instruction, please read all manual instructions carefully before operating. Reserves a clear interpretation of our usermanual. The appearance of the product shall be subject to the product you received. Please forgive us that we won't inform you again if there are any technology or software updates on our product.

## **WARNING**

**⚠ Warning-To reduce the risk of injury, user must read instructions manual carefully.**

**⚠ The product complies with relevant standards and regulations. Installation of this device must comply with all applicable regulations, and it should only be operated in well-ventilated areas. Please read the user manual before installing and using this equipment.**



## **Safety precautions**

Read this instructions before using this product. Failure to do so can result in serious injury. the basic precautions should always be followed,including the following:

1. PLEASE NOTE! Drawings in this manual are for illustration purposes only and in some details may differ from the actual product.

2. User Guide

Must not exceed the load weight. The screw is fixed on a flat, hard wall for safe use Check the saddle stand before each use. Do not use if the parts are loose or damaged.








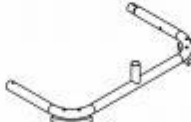


## **⚠ Before Assembling**

Before assembling, we recommend:

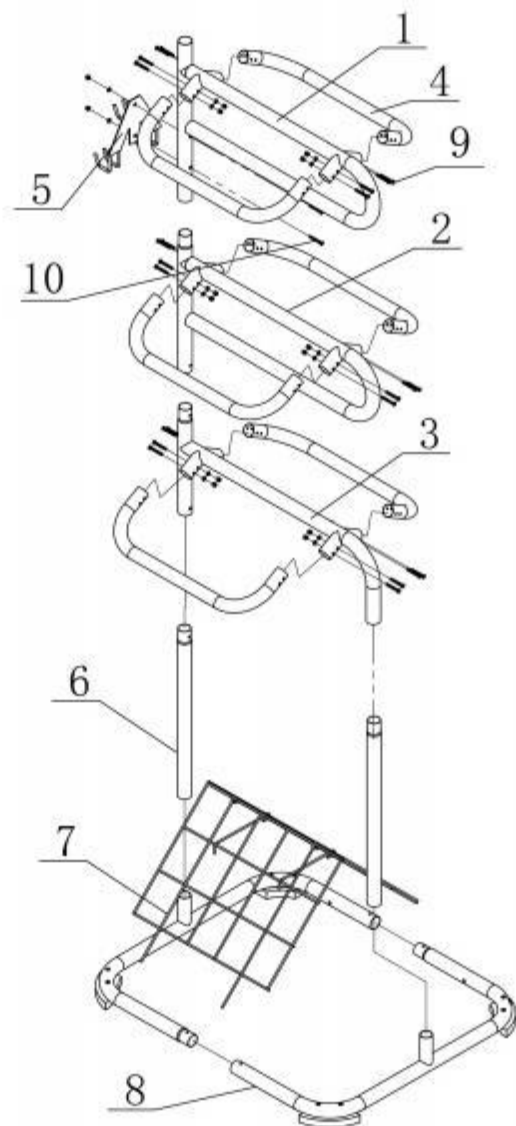
1. Wear Gloves.



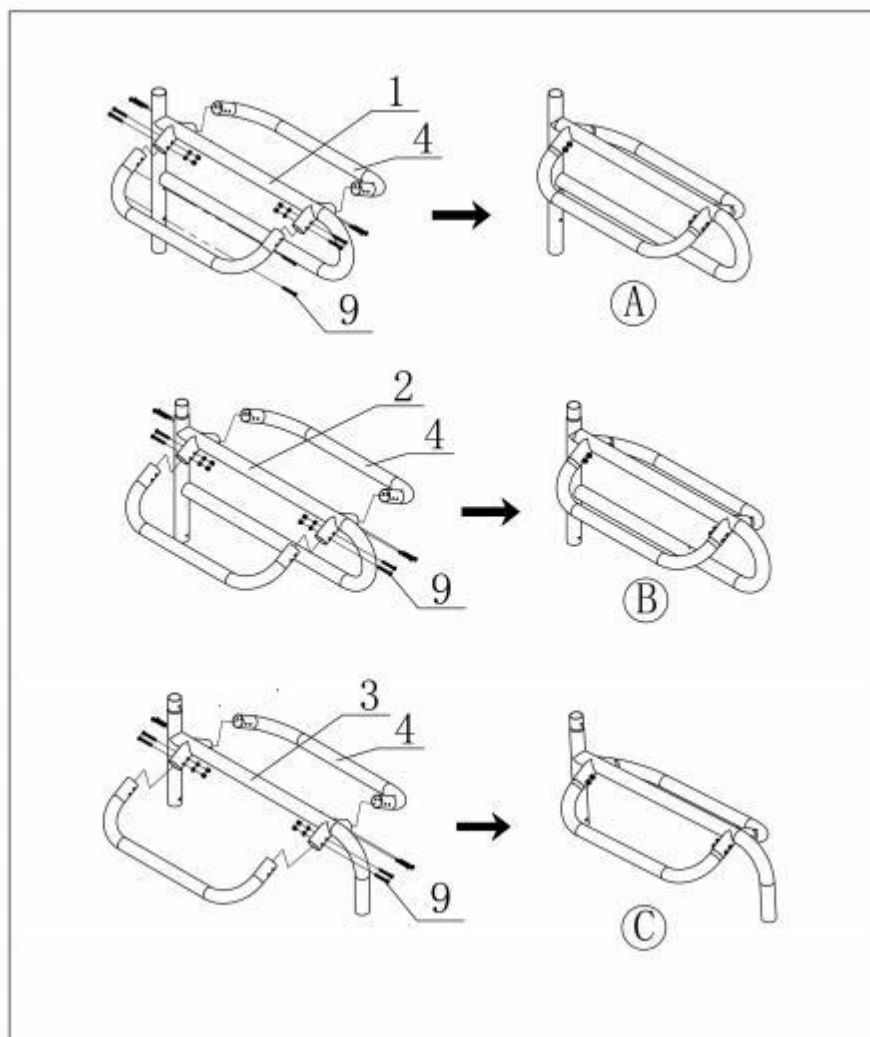
## PARTS LIST

<p>1</p>  <p>Top Rack - 1PCS</p>	<p>2</p>  <p>Middle Rack-1PCS</p>	<p>3</p>  <p>Bottom Rack - 1PCS</p>
<p>4</p>  <p>Connector - 6PCS</p>	<p>5</p>  <p>Hook Plate - 1PCS</p>	<p>6</p>  <p>Connector - 2PCS</p>
<p>7</p>  <p>Base Rack -1PCS</p>	<p>8</p>  <p>Base - 2PCS</p>	<p>9</p>  <p>M6*40mm(24) Bolt+Washer+Nut</p>
<p>10</p>  <p>M8*45mm(2) Bolt+Washer+Nut</p>		

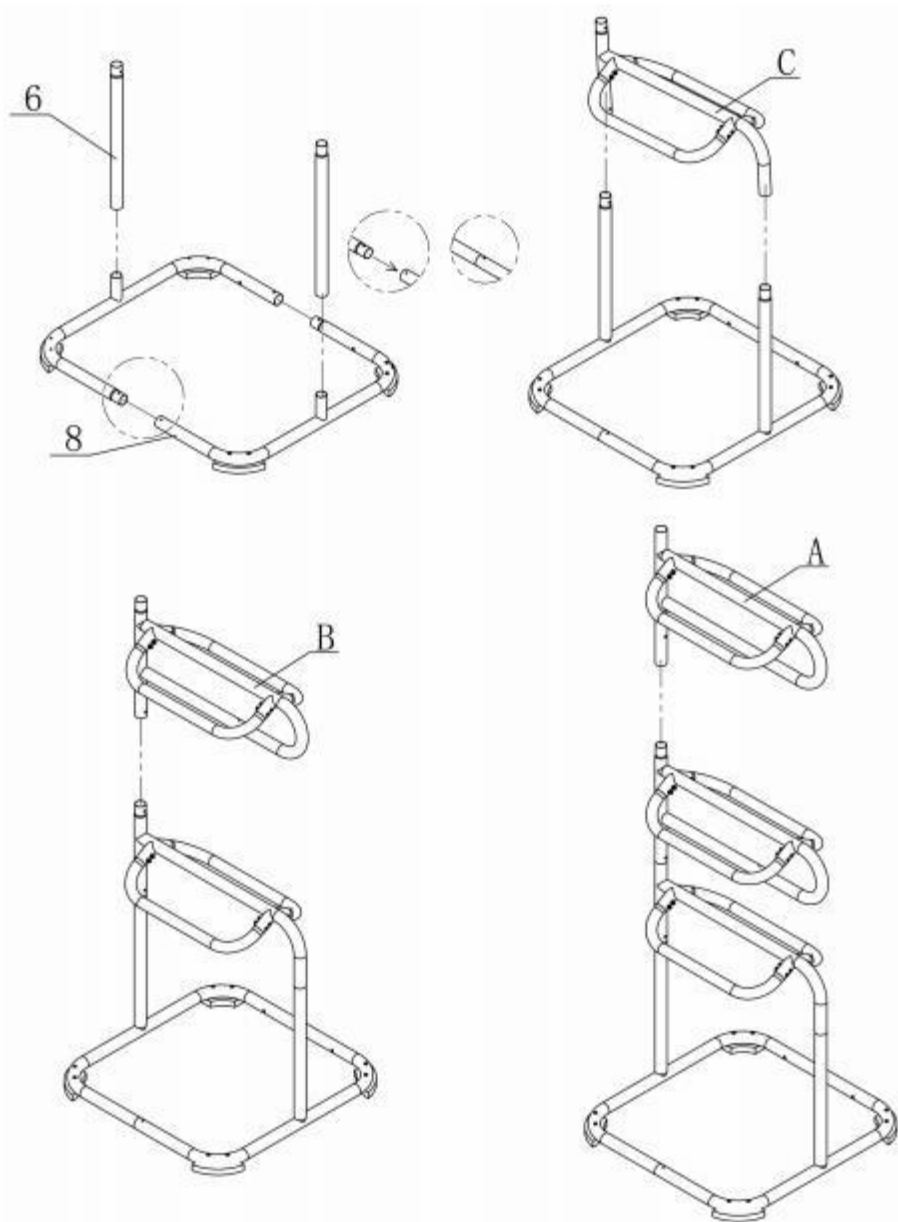
# INSTALLATION



## Step 1



## Step 2



### Step 3

