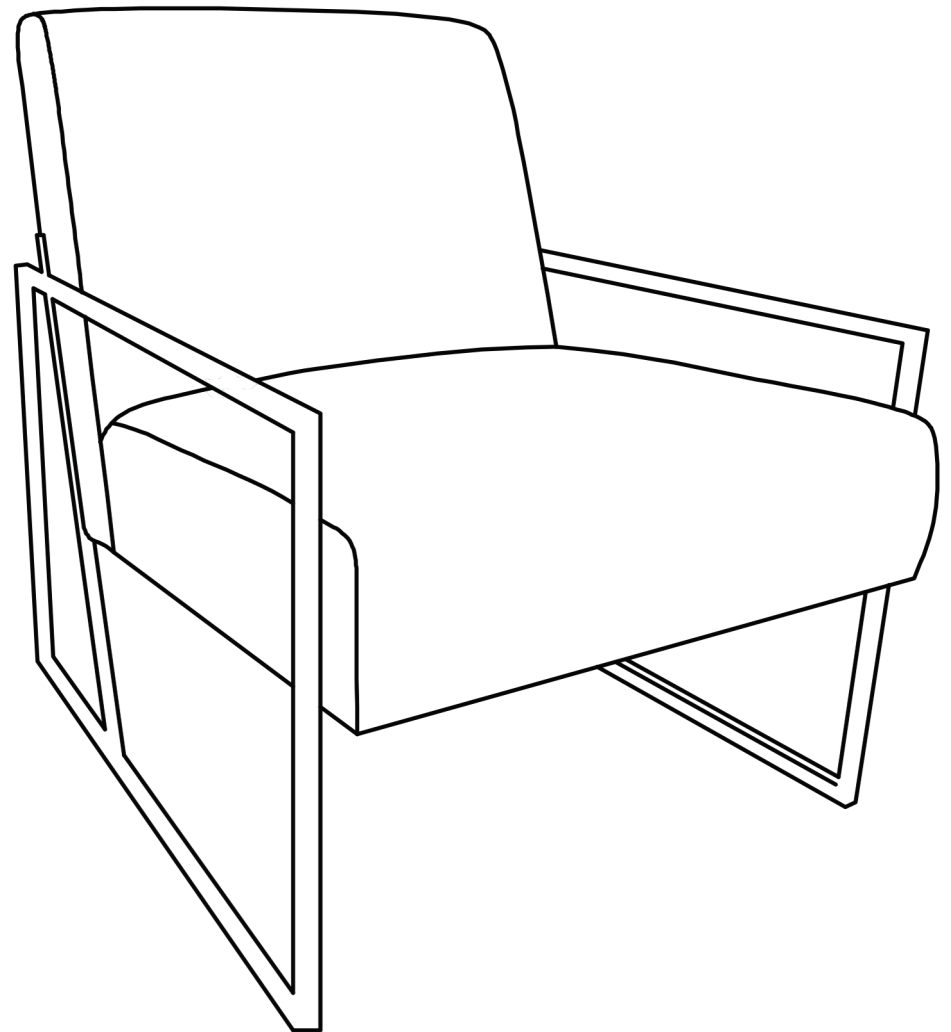


TM

Industrial Accent Chair



> > assembly instructions

Congratulations on your latest purchase.

Now what? Don't start sweating over this box of parts. This will be easy. We did the hard work for you. All you need to do is follow our simple instructions and you'll be on your way to transforming your room in no time. Good luck — though we're confident you won't need it.

before you begin

1. Use the carton as a working surface to prevent product damage during assembly.
2. Gather all tools prior to assembly.

assembly tips:

1. Remove hardware from box and sort by size.
2. Please check to see that all hardware and parts are present prior to start of assembly.
3. Please follow attached instructions in the same sequence as numbered to assure fast & easy assembly.

warning:

1. Don't attempt to repair or modify parts that are broken or defective please contact our service department immediately.
2. This product is for home use only and not intended for commercial establishment .

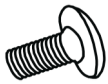
table of contents

introduction	
hardware	2 4
parts list	5
assembly	6-9

hardware

F x 4

bolt (M6X14MM)



G x 8

bolt (M6X30MM)



H x 4

Spring washer
($\text{Ø}6 \times \text{Ø}16$) $\times 1\text{MM}$



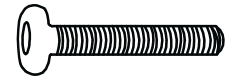
I x 4

Flat washer
($\text{Ø}6 \times \text{Ø}11$) $\times 2\text{MM}$



J x 4

bolt (M8X60MM)



K x 4

Spring washer
($\text{Ø}8 \times \text{Ø}22$) $\times 1.5\text{MM}$



L x 4

Flat washer
($\text{Ø}8 \times \text{Ø}13$) $\times 2\text{MM}$



M x 1

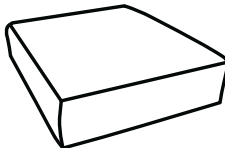
hex wrench (M4)



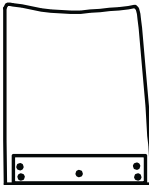
ITEM DESCRIPTION QUANTITY

A	Seat	1
B	Backrest	1
C	Metal base	1
D	Metal base	2
E	M e t a l b ase	1

A×1



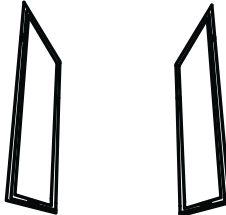
B×1



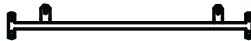
C×1



D×2



E×1

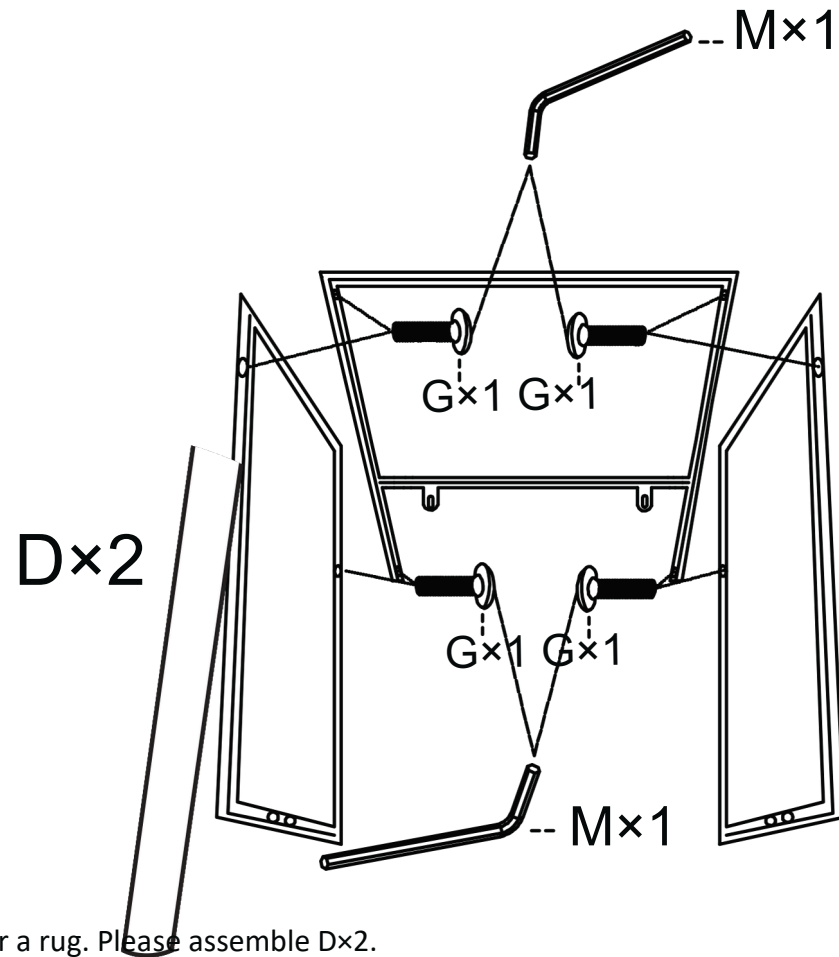
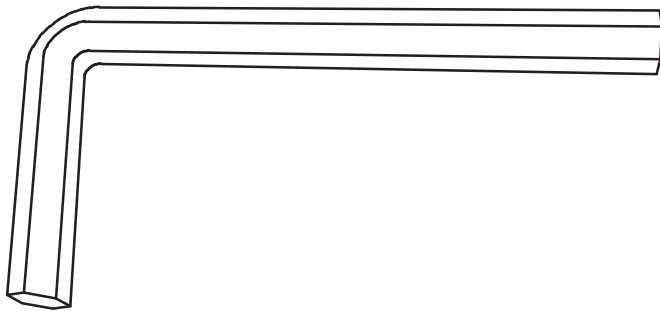




step 1.

G x 4
bolt(M6 X30MM)



M x 1
hex wrench(M4)



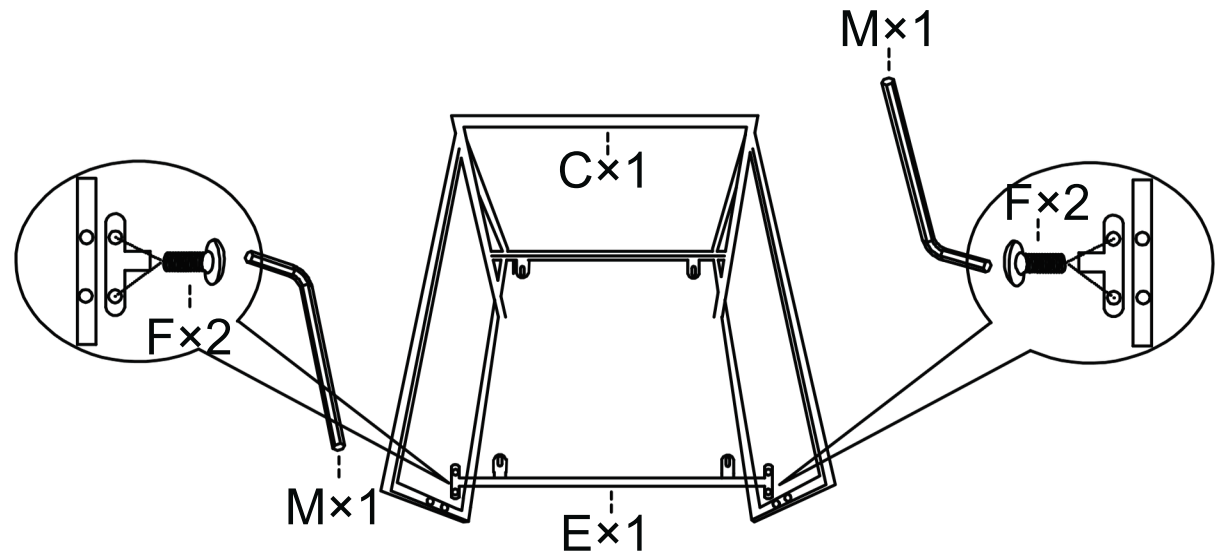
Assemble the chair on so , scratch-free surface such as a carpet or a rug. Please assemble D x 2.
Securely ghten bolts (G) with hex wrench (M).



step 2.

F x 4
bolt (M6X14MM)



M x 1
hex wrench (M4)



Assemble the chair on so , scratch-free surface such as a carpet or a rug. Please assemble C&E.
Securely ghten bolts (F) with hex wrench (M).

step 3.

J x 4
bolt (M8X60MM)



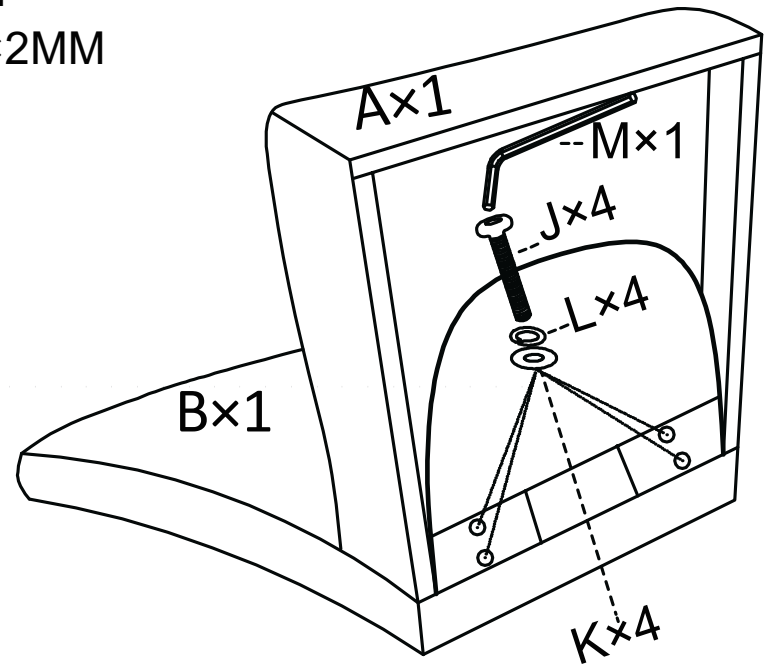
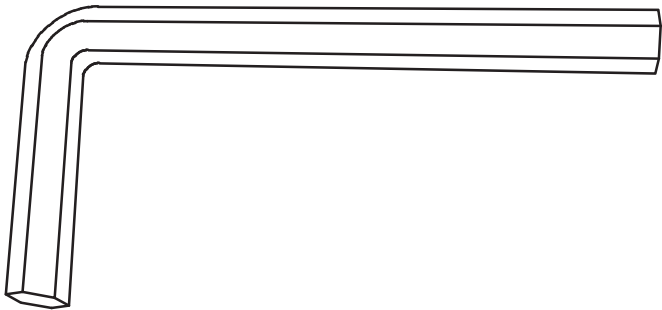
K x 4
Spring washer
(Ø8xØ22)x1.5MM





L x 4
Flat washer
(Ø8xØ13)x2MM



M x 1
hex wrench (M4)



Assemble the chair on so , scratch-free surface such as a carpet or a rug. Please assemble A&B.
Securely ghten bolts(J), spring washer(K) & flat washer(L)with hex wrench(M).

step 4.

G × 4

bolt (M6X30MM)



H × 4

Spring washer
(Ø6×Ø16)×1MM



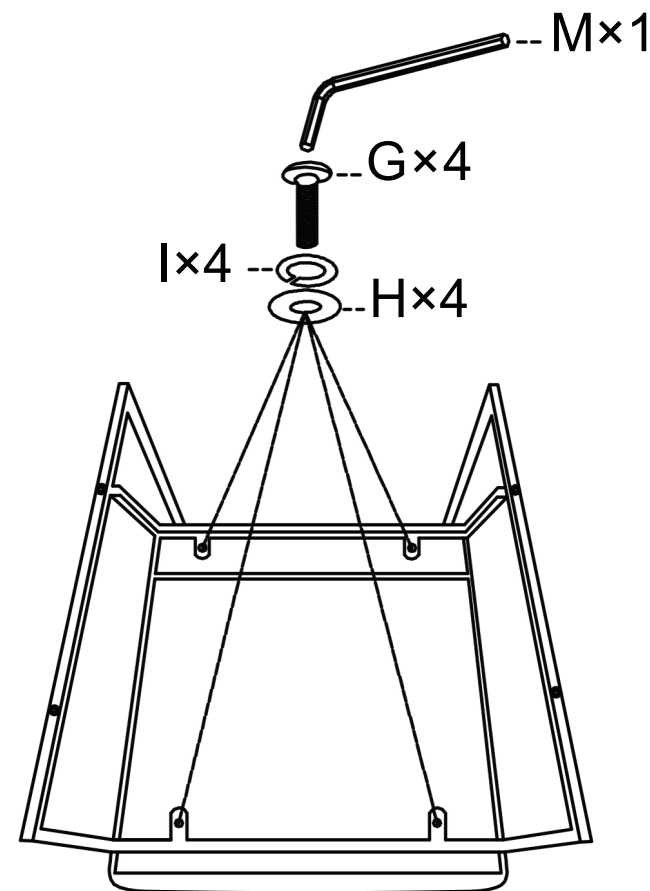
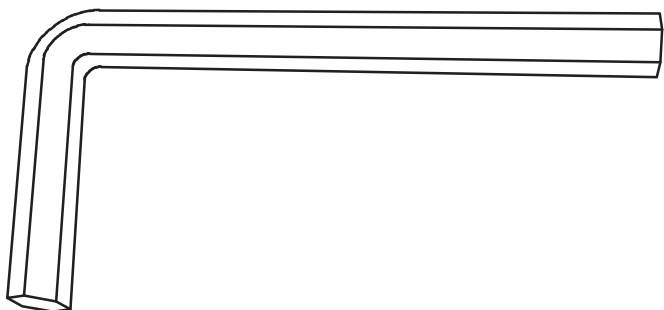
I × 4


Flat washer
(Ø6×Ø11)×2MM




M x 1

hex wrench(M4)



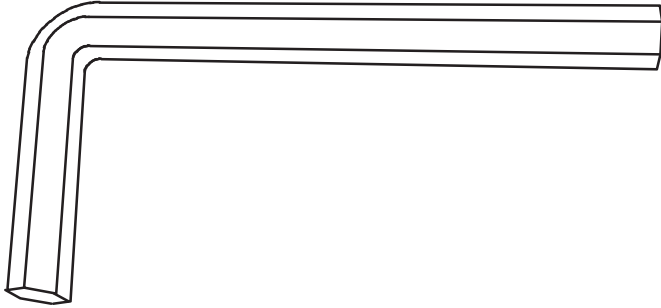
Assemble the chair on so , scratch-free surface such as a carpet or a rug.

Securely ghten bolts(G) ,spring washer(H) & flat washer(I)with hex wrench(M)

step 5. — Keep the Allen Wrench

A friendly reminder from us:

Please keep the Allen wrench.



After a period of time, there may be a chance the KD furniture may become loose, please use an Allen wrench to tighten the loose bolts. Put the chair right and check whether the chair has been well assembled. If it is not assembled, loosen the screw and tighten it on the ground.

