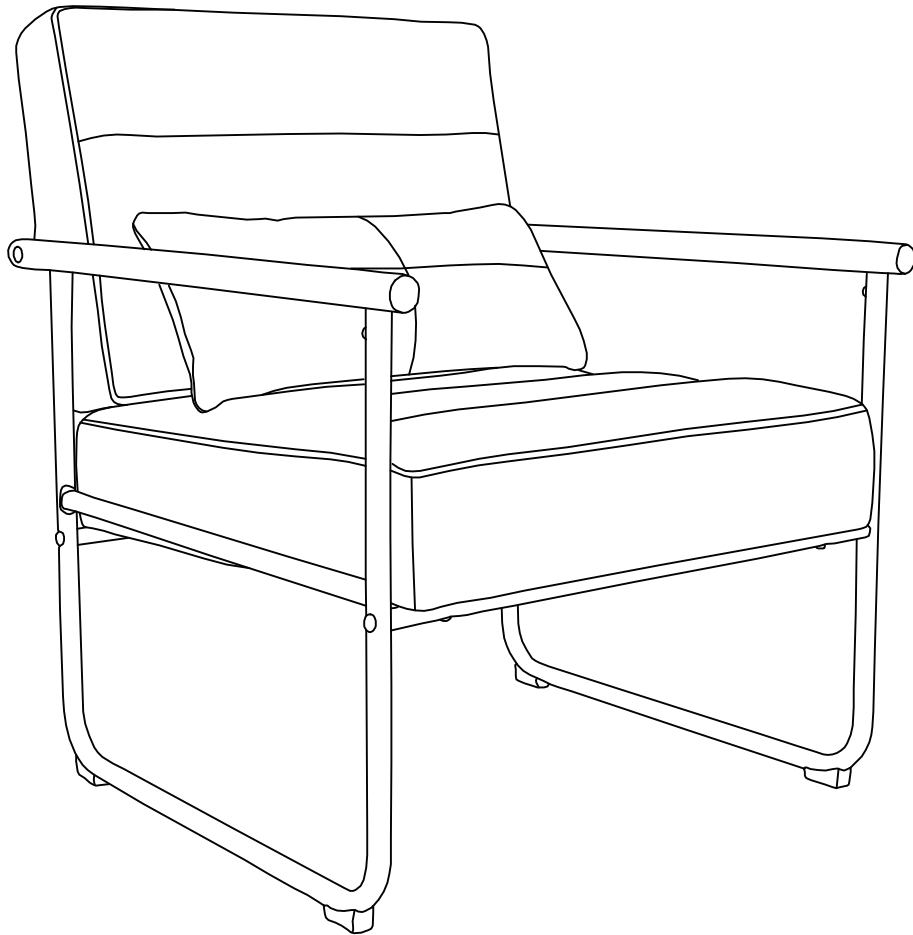

ASSEMBLY INSTRUCTION

ACCENT CHAIR

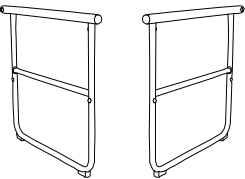
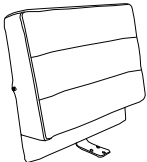

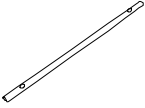
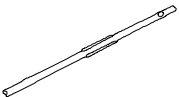
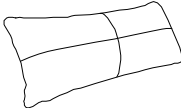


Please carefully unpack and identify each component before beginning assembly. Before you begin, please refer to parts list to make sure that you have all parts. Please take care when assembling the unit and always place the parts on a clean, soft surface.

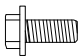
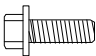
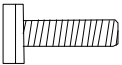

PRE-ASSEMBLY PREPARATION

- **CAUTION:** Assembly will require at least 2 adults. DO NOT use power tools. Please inspect all items BEFORE assembly. If for any reason you need to return this item, please kindly return it in it's original packaging.
- **WARNING!**
 1. DO NOT let any sharp objects touch or rub the surface of the product.
 2. When assembling, do not let children play around the working area.
 3. DO NOT tighten all bolts and screws completely until the entire unit has been assembled and set up.
 4. DO NOT USE if this product become damaged, and/or components are broken or missing.
- **CARE AND CLEANING:** DO NOT scratch or chip the finish. DO NOT use abrasive chemicals for cleaning. Clean with mild soap on a soft rag. Rinse and dry thoroughly.
- **MAINTENANCE:** Please periodically check all fittings and re-tighten as necessary.

PARTS LIST

<p>LEFT & RIGHT SIDE FRAME (A)</p>  <p>Qty: 1</p>	<p>BACK (B)</p>  <p>Qty: 1</p>	<p>SEAT (C)</p>  <p>Qty: 1</p>	<p>FRONT RAIL (D)</p>  <p>Qty: 1</p>
<p>BACK RAIL (E)</p>  <p>Qty: 1</p>	<p>PILLOW (I)</p>  <p>Qty: 1</p>		

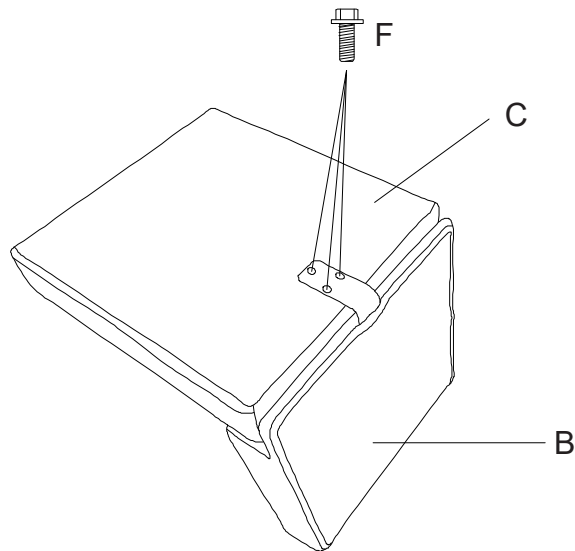
HARDWARE LIST

<p>ALLEN BOLT (F) M6X25MM</p>  <p>Qty: 3</p>	<p>ALLEN BOLT (G) M6X35MM</p>  <p>Qty: 4</p>	<p>ALLEN BOLT (H) M8X40MM</p>  <p>Qty: 6</p>	<p>ALLEN WRENCH (J) M5</p>  <p>Qty: 1</p>
---	---	--	--

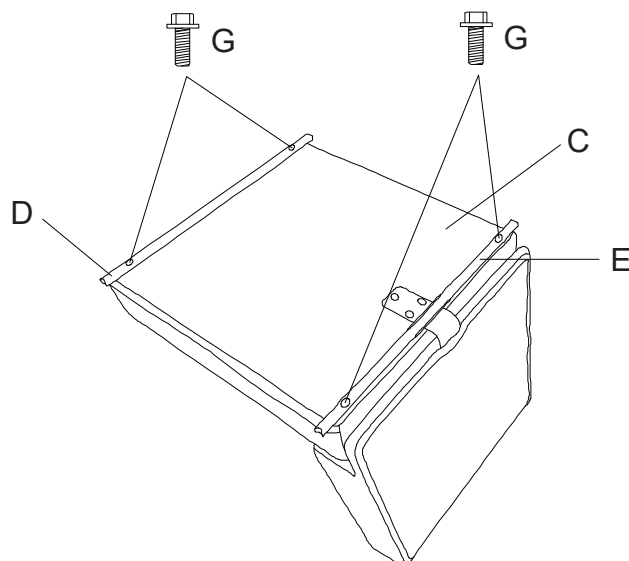
STEP-BY-STEP ASSEMBLY

PLEASE CAREFULLY UNPACK AND IDENTIFY EACH COMPONENT BEFORE BEGINNING ASSEMBLY. BEFORE YOU BEGIN, PLEASE REFER TO PARTS LIST TO MAKE SURE THAT YOU HAVE ALL PARTS.

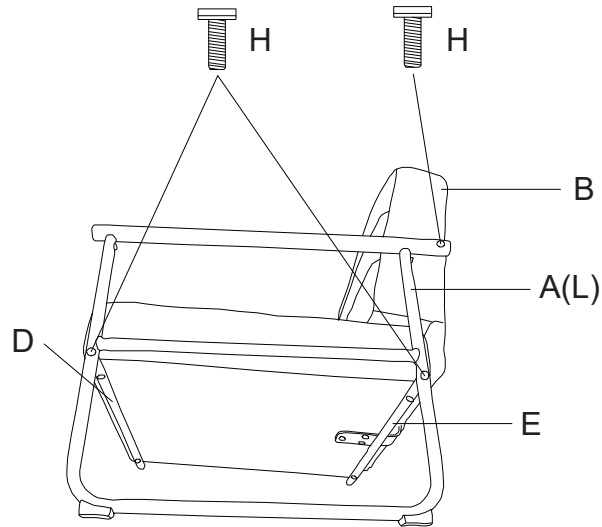
- STEP 1** Attach the Seat (C) to the Back (B) by using Allen Bolt (F) and Allen Wrench (J).
Please 80% tighten the bolts.



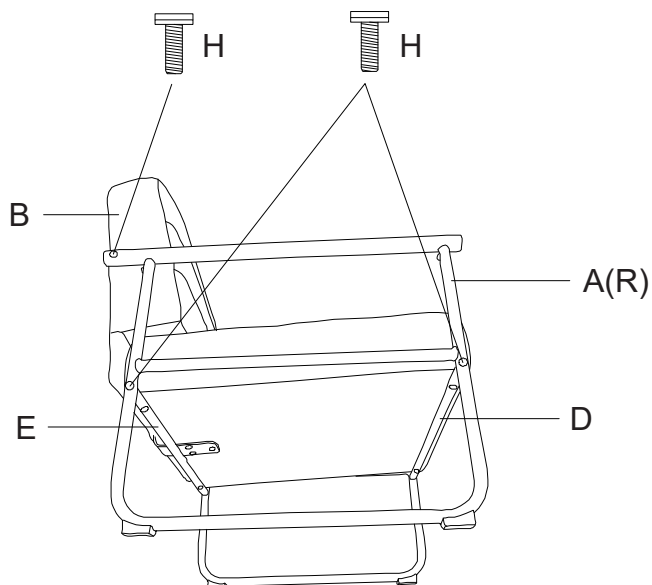
- STEP 2** Attach the Front Rail (D) and Back rail (E) to the Seat (C) by using Allen Bolt (G) and Wrench (J) as shown in below diagram.
Please 80% tighten the bolts.



STEP 3 Attach the Left Side Frame (AL) to the Rail(D&E) and Back (B) by using Allen Bolt (H) and Allen Wrench (J).
Please 80% tighten the bolts.



STEP 4 Then install the Right Side Frame(AR) as well. Attach the Right Side Frame(AR) to the Rail(D&E) and Back (B) by using Allen Bolt (H) and Allen Wrench (J).
Please 80% tighten the bolts.



STEP 5 Place the Pillow(I) on the Chair. Then 100% tighten all Allen Bolts (F,G,H) completely by using Allen Wrench (J) . After initial assembly, the product may acclimate to its new environment.

Please ensure all screws are still securely tightened.

