
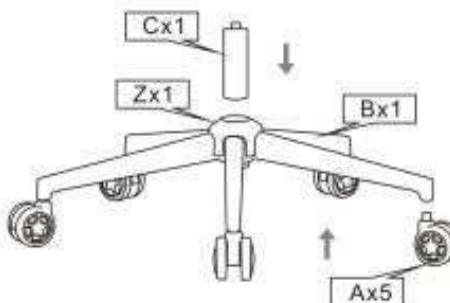
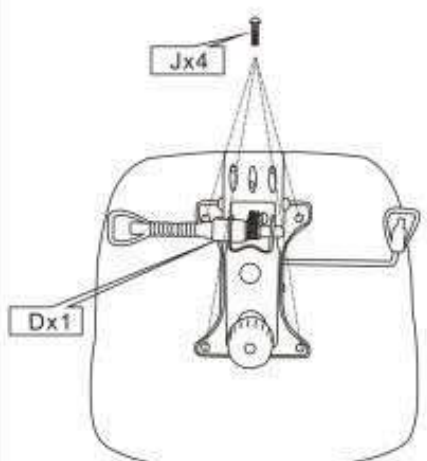
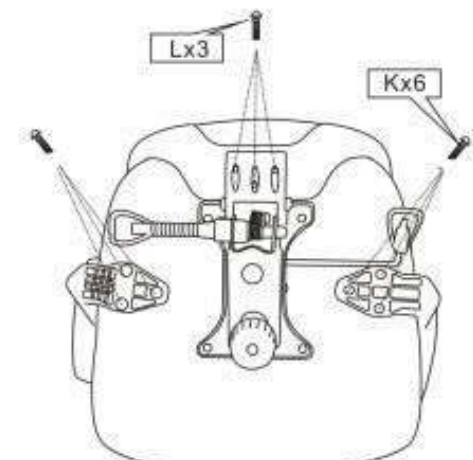


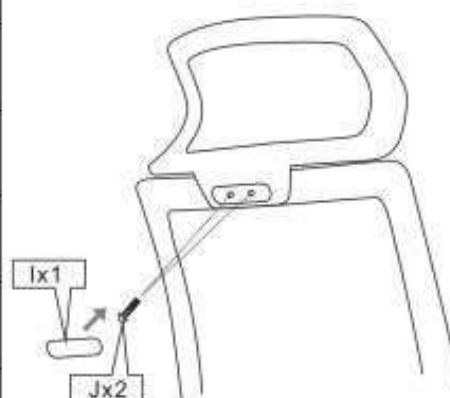



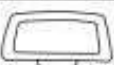




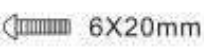
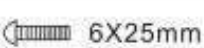
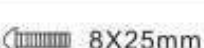



# ASSEMBLY INSTRUCTIONS

Ax5		<b>①</b> 	<b>②</b> 	<b>③</b> 
Bx1				
Cx1		<b>④</b> 	<b>⑤</b> 	<b>⑥</b> 
Dx1				
Ex1				
Fx1				
Gx1				
Hx1				
Ix1				
Jx6				
Kx6				
Lx3				
Zx1				
Nx1	