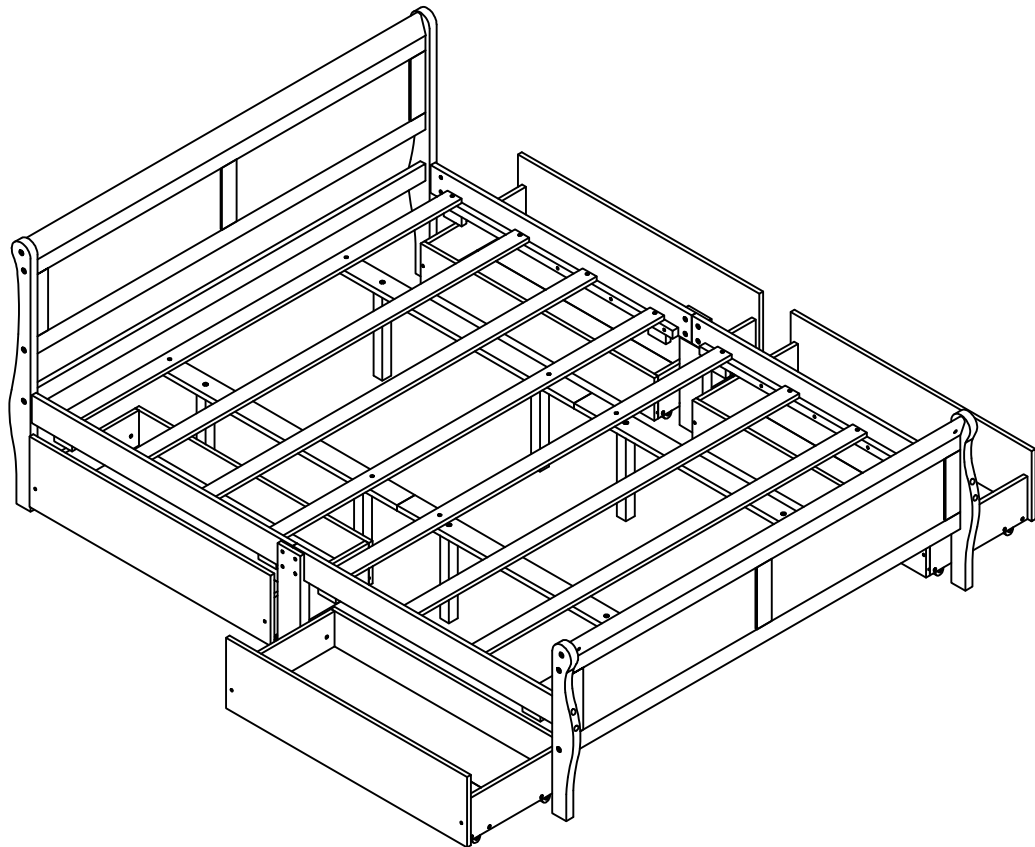


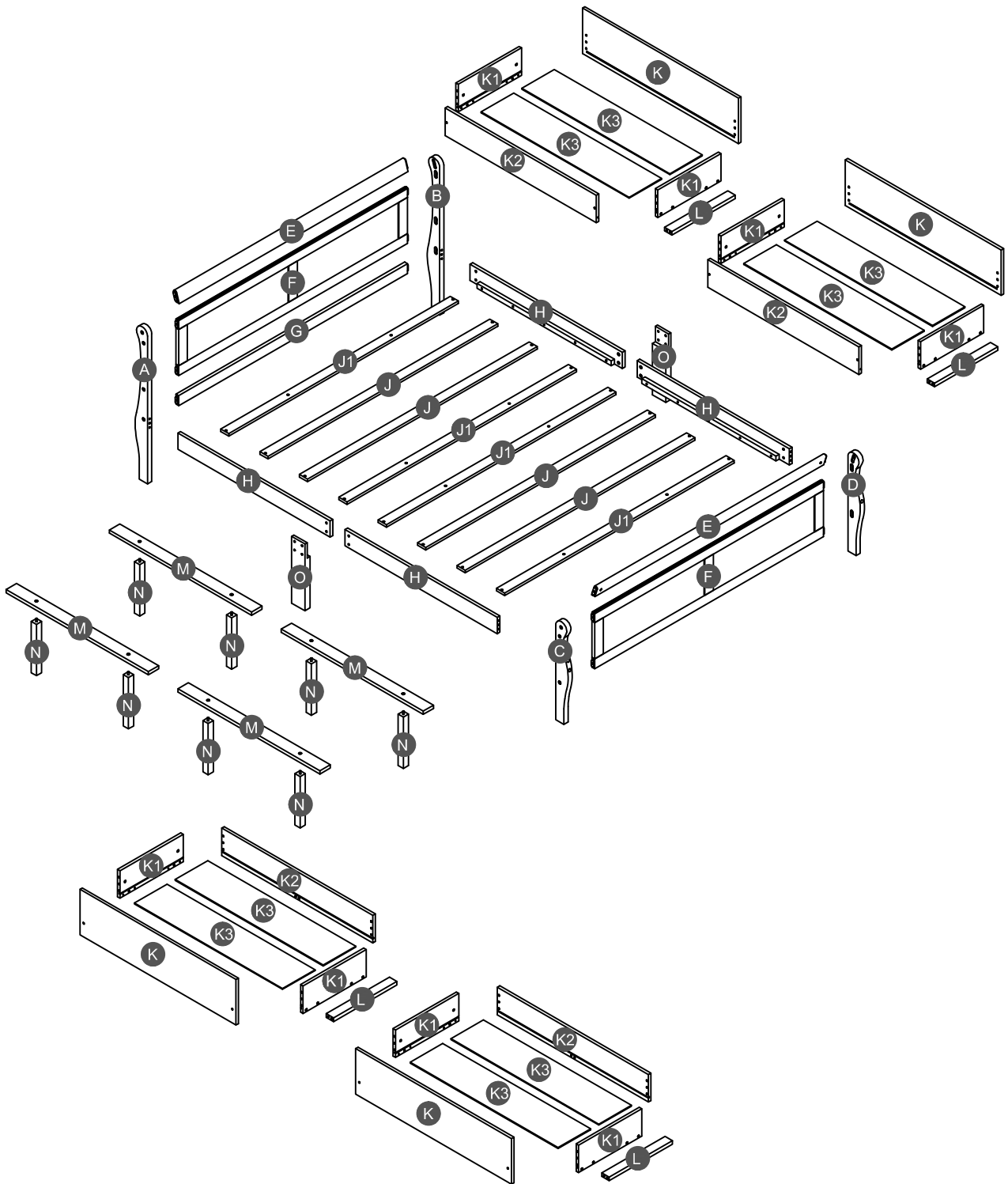
ASSEMBLY INSTRUCTIONS

QUEEN BED WITH 4 DRAWERS





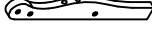
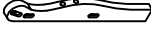
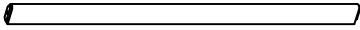
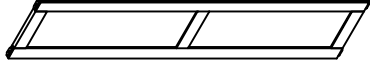
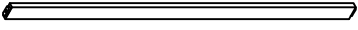
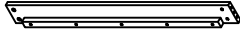
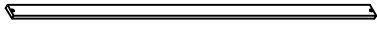

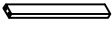
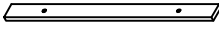
WF308635/WF308636

Detail View

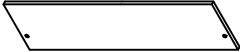
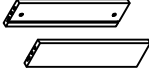

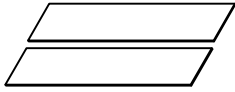
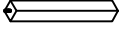
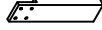


Part List

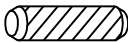
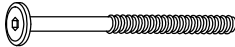
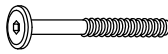
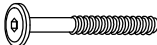


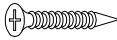
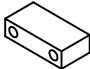
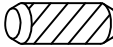
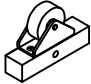

WF308635 + Hardware inside

A  Leg HB (Left Front) - 1pc	B  Leg HB (Left Back) - 1pc	C  Leg FB (Right Front) - 1pc
D  Leg FB (Right Back) - 1pc	E  Upper horizontal bar HB/FB - 2pcs	F  Frame HB/FB - 2pcs
G  Lower horizontal bar HB - 1pc	H  Side rail - 4pcs	J  Slat - 4pcs
J1  Slats - 4pcs	L  Support drawer - 4pcs	M  Lower support slat - 4pcs

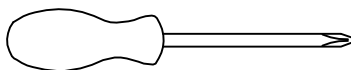
WF308636

K  Front drawer panel - 4pcs	K1  Left / right drawer panel - 8pcs	K2  Back drawer panel - 4pcs
K3  Drawer bottom - 8pcs	N  Leg support - 8pcs	O  Divider leg support - 2pcs

Hardware List WF308635

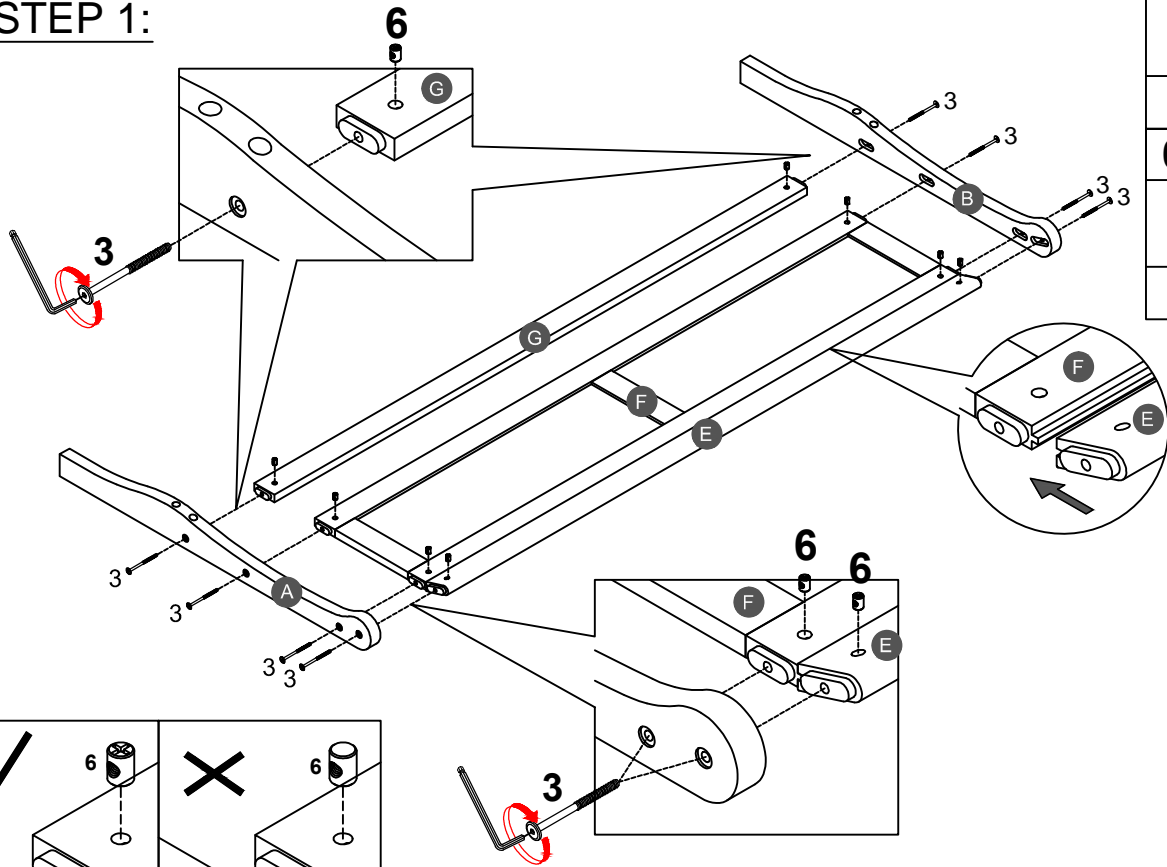
1  Ø8*30mm Wood dowel (52pcs)	2  (Ø15)1/4"*100mm Hex-Head bolts (8pcs)	3  (Ø15)1/4"*80mm Hex-Head bolts (14pcs)
4  (Ø12)1/4"*60mm Hex-Head bolts (16pcs)	5  (Ø12)1/4"*30mm Hex-Head bolts (8pcs)	6  1/4"*15 (9.5mm) Horizontal-Hole bolts(38pcs)
7  Ø4*30mm Wood screws (72pcs)	8  70*35*19 mm Drawer stopper (8pcs)	9  Ø10*20mm Wood dowel (16pcs)
10  100*54*20 mm Wheels (16pcs)	11  (1/4")4.5*100mm Allen key (1pc)	

ASSEMBLY TOOLS REQUIRED (NOT INCLUDED)

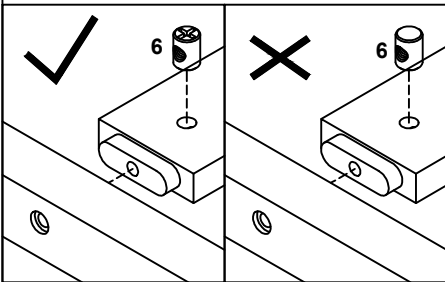


PLEASE BE CAREFUL DO NOT DAMAGE THE HOLE
POSITION WHEN YOU USE POWER TOOLS !

STEP 1:

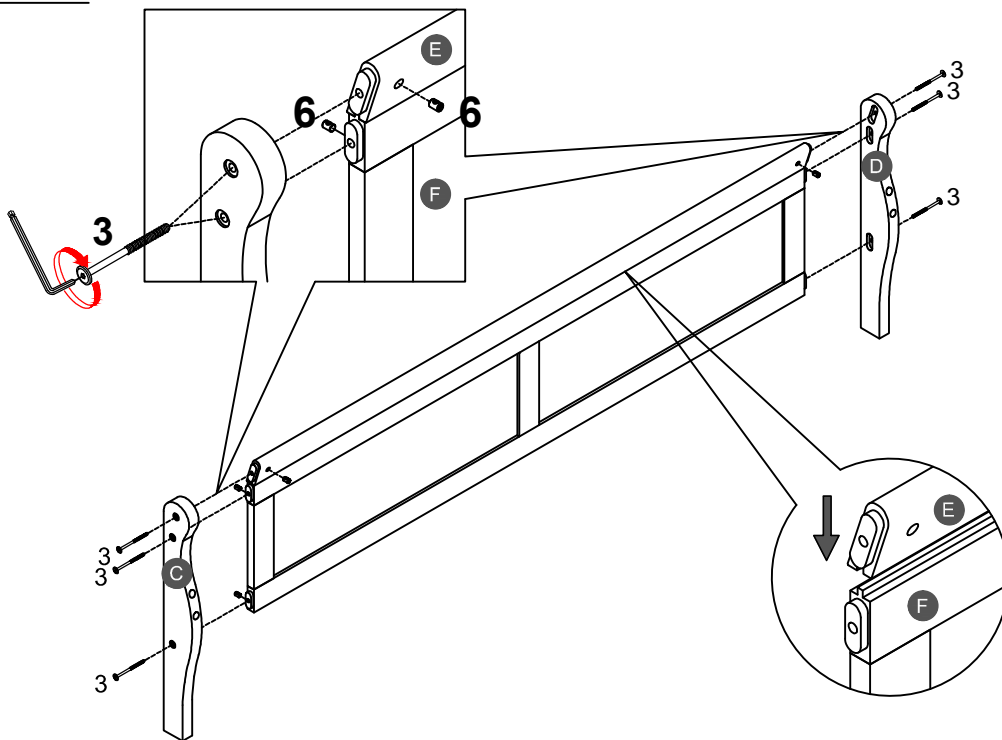


3	
	8PCS
6	
	8PCS




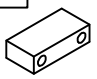
Note: Part 6 will face up with the "x" mark on it, otherwise it cannot be tightened

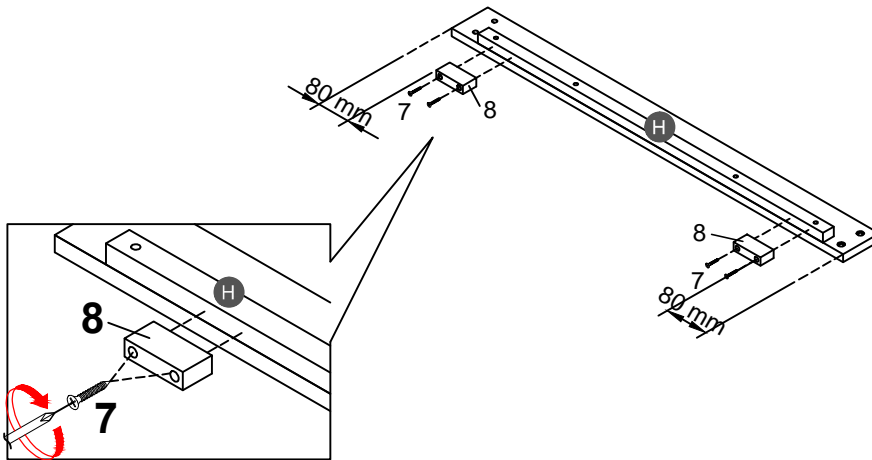
STEP 2:



3	
	6PCS
6	
	6PCS

STEP 3:





7		8	
16PCS		8PCS	

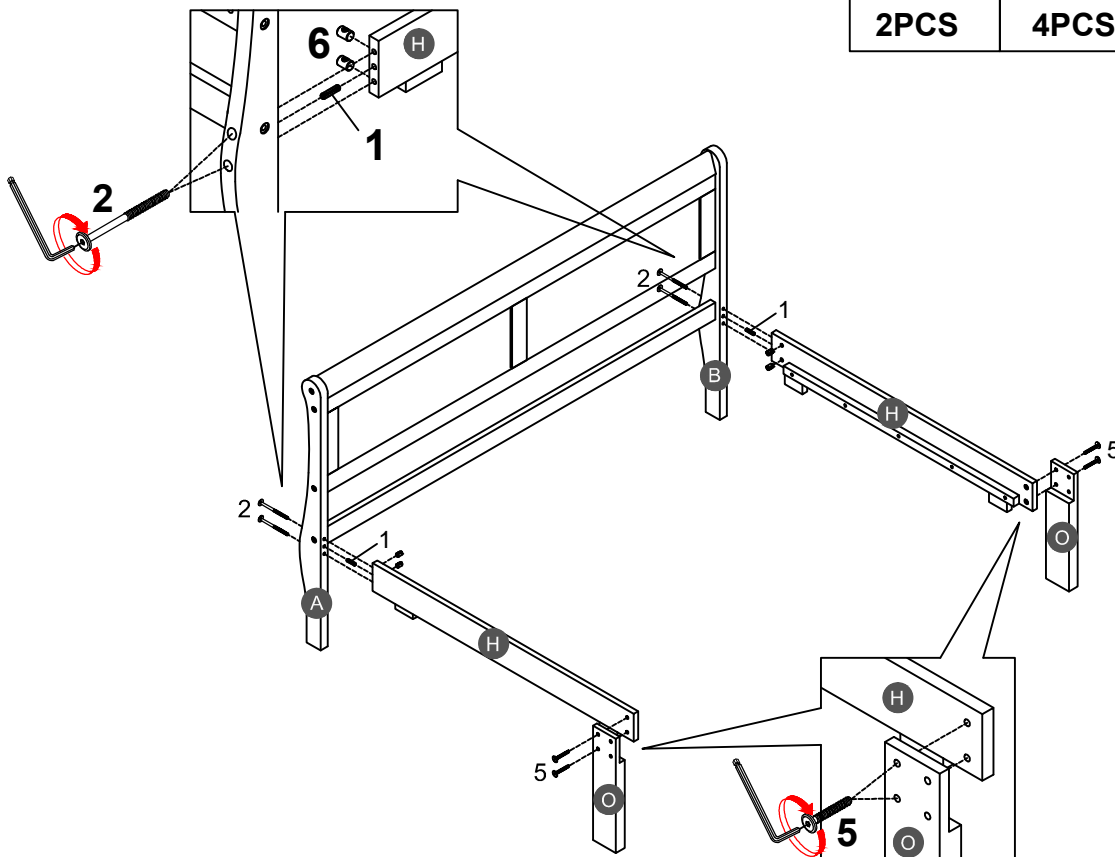


4pcs

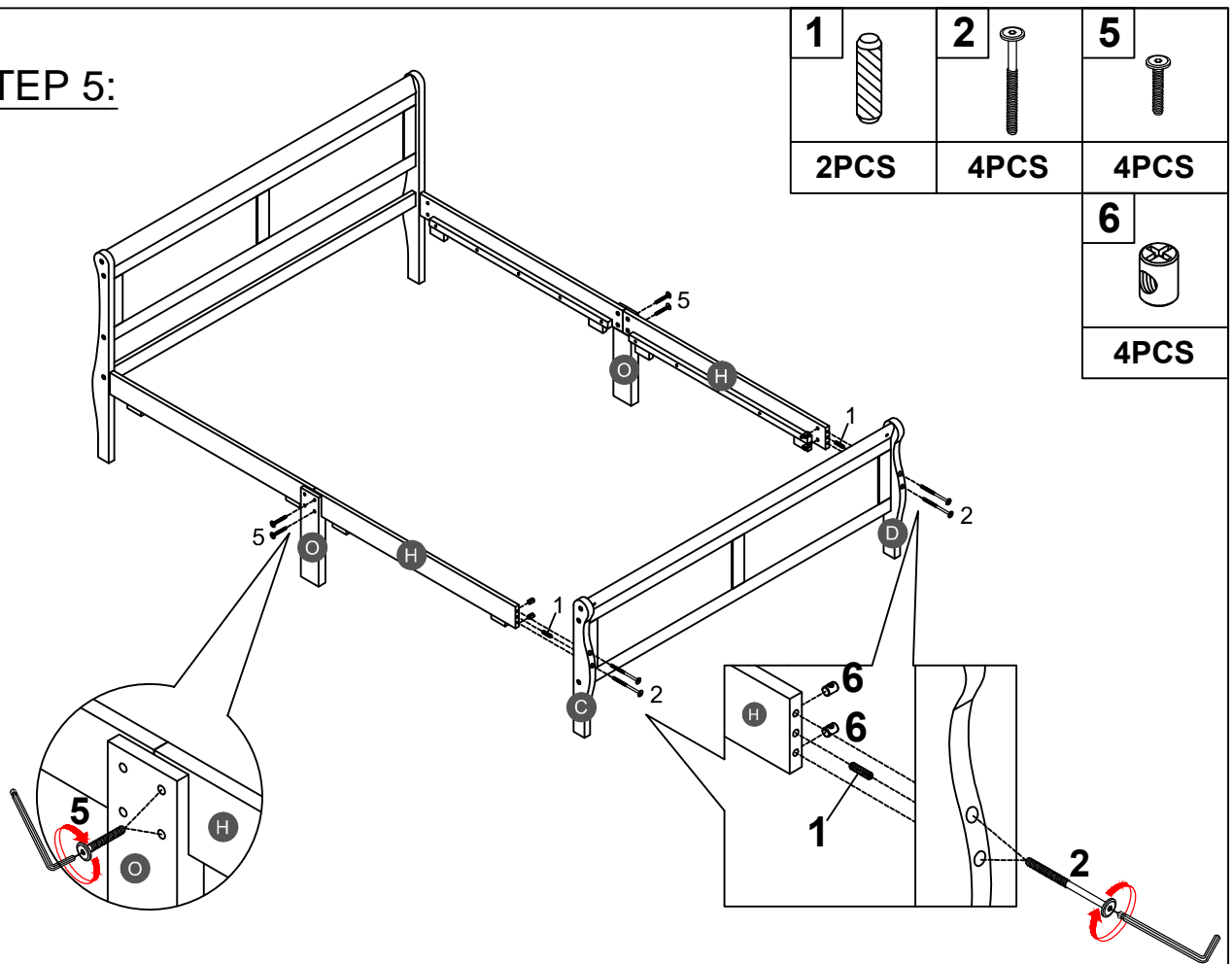
Drawer stopper (8) with lower side rail (H) by using screw (7).

STEP 4:

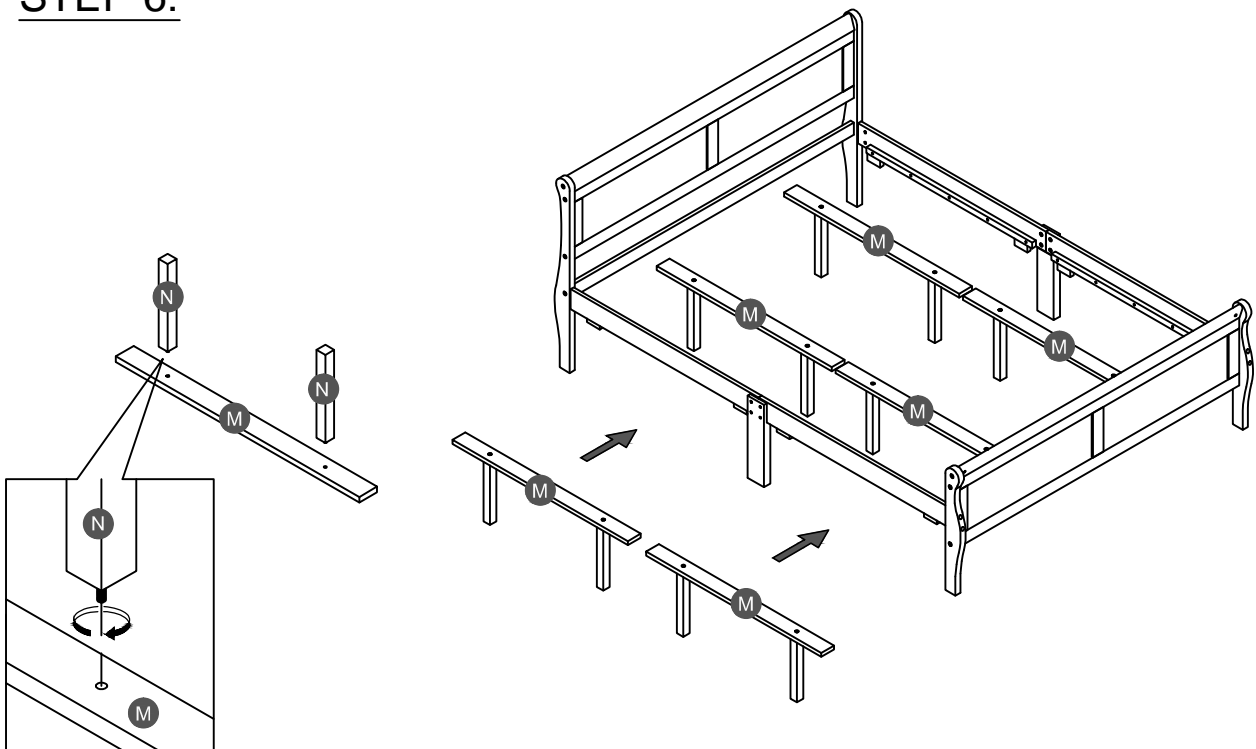
1		2		5	
2PCS		4PCS		4PCS	
				6	
				4PCS	



STEP 5:

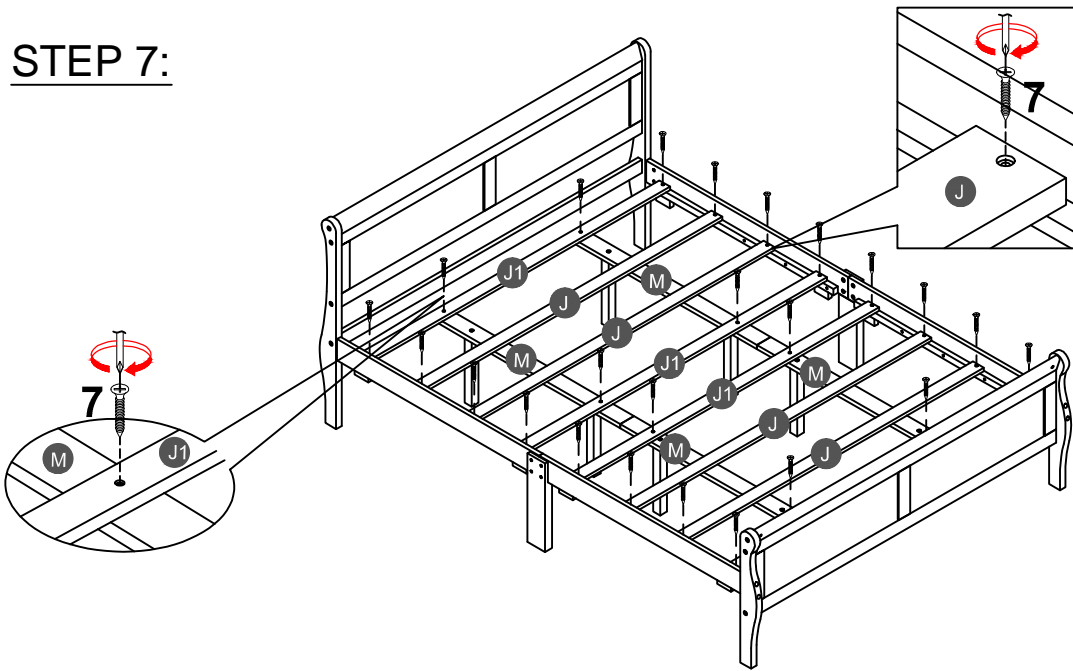


STEP 6:



Assembling leg support (N) with lower support slat (M) later rotate, Move support slat inside Full bunkbed.

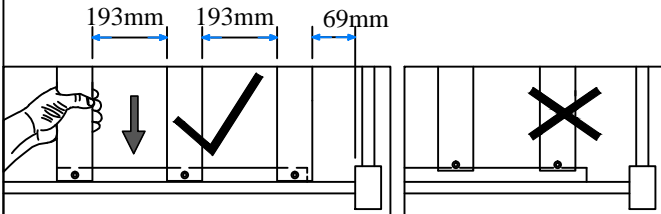
STEP 7:



7

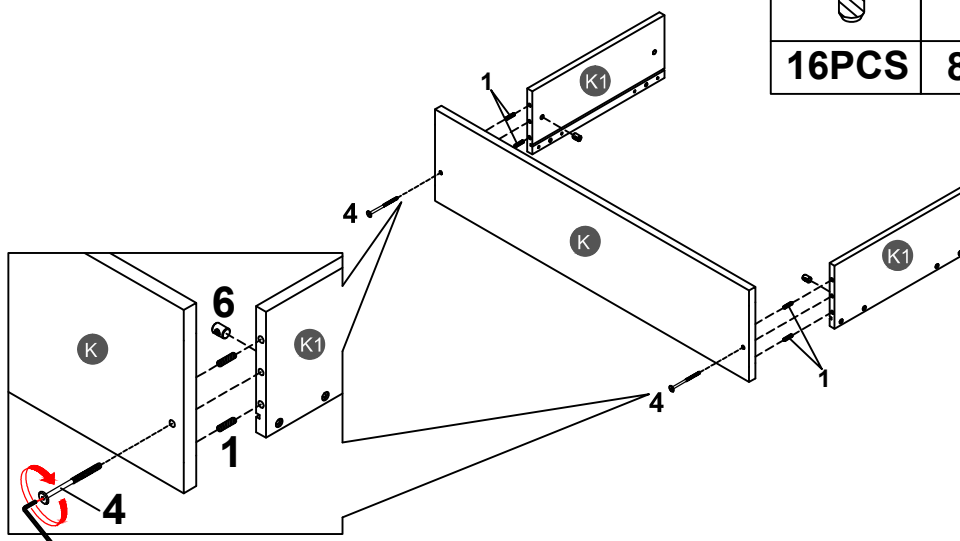


24PCS



Note: Do not lock the screws of the bed slats to the outermost edge of the bed slats, you need to leave a certain space at the edges, otherwise it will cause the board to break. Do not lock the bed slats on the edge of the wood, please hold firmly before screwing, hold it in place with one hand, then lock the screw.

STEP 8:

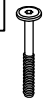


1



16PCS

4



8PCS




6

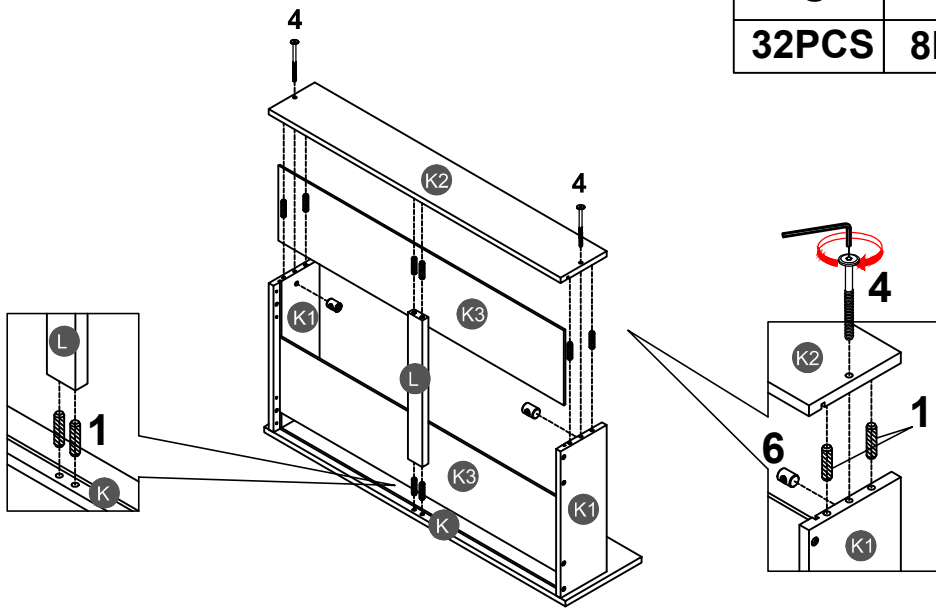


8PCS

4pcs



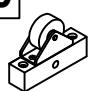
STEP 9:

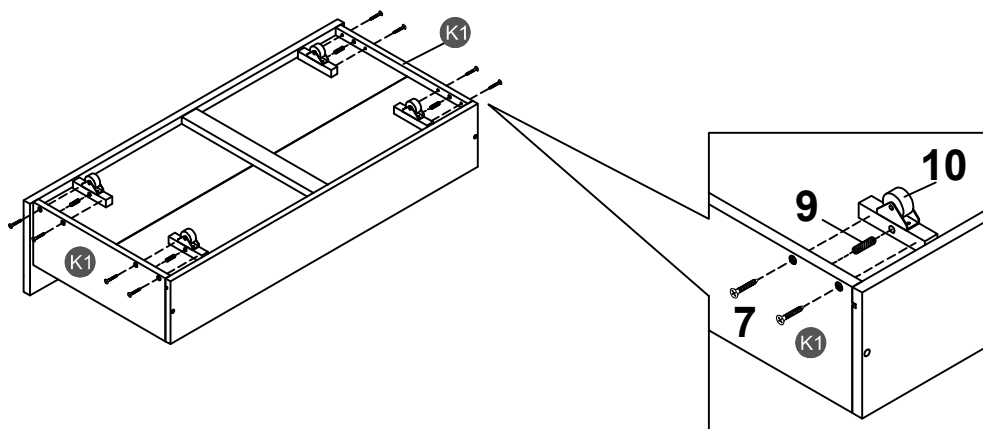
1 	4 	6 
32PCS	8PCS	8PCS



4pcs

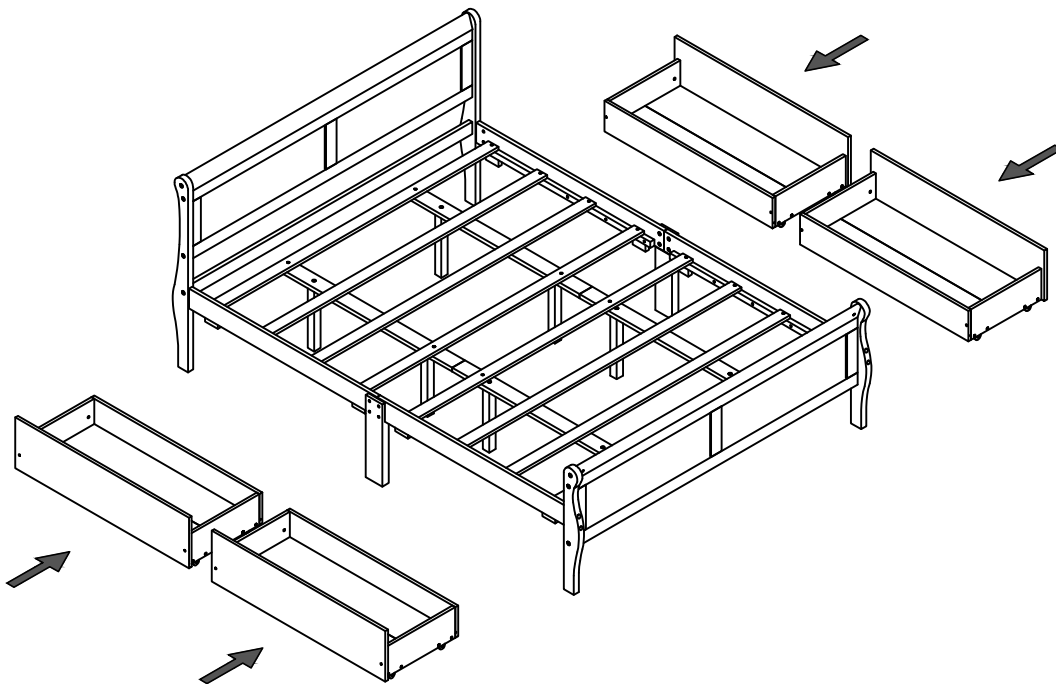
STEP 10:

7 	9 	10 
32PCS	16PCS	16PCS

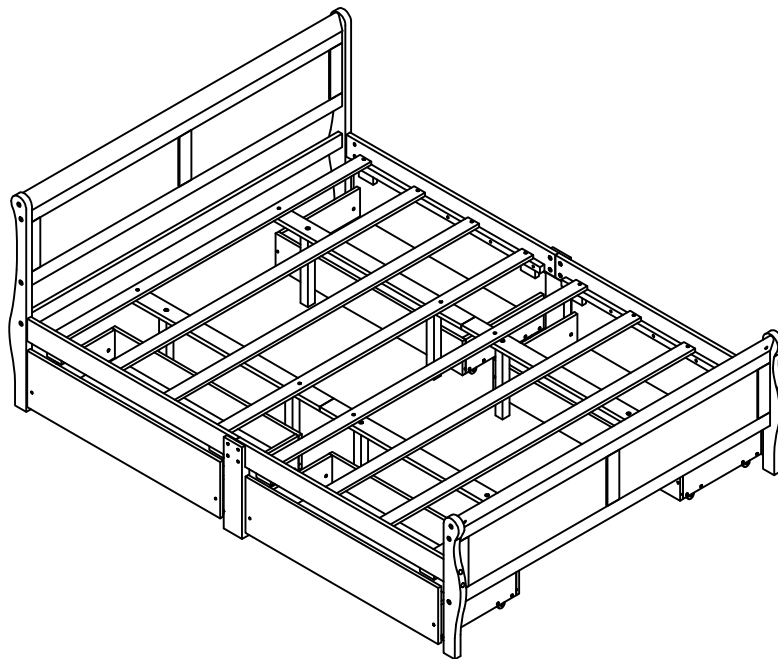


4pcs

STEP 11:



Push Drawer under the bottom of Bunk bed.



Make sure to tighten all the screws of the bed.