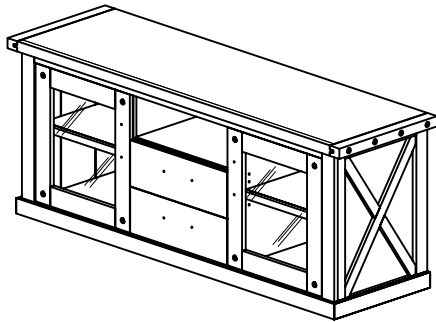
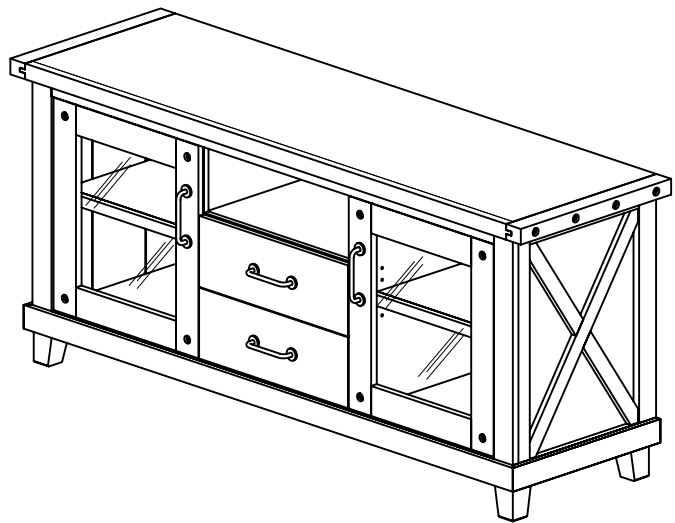


ASSEMBLY INSTRUCTIONS

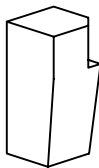
A. CASE GOOD 1PC



ASSEMBLED



B. LEGS 4PCS



C. SUPPORT LEG 2PCS

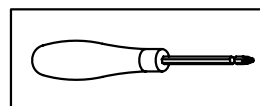


HARDWARE PACKED IN CARTON

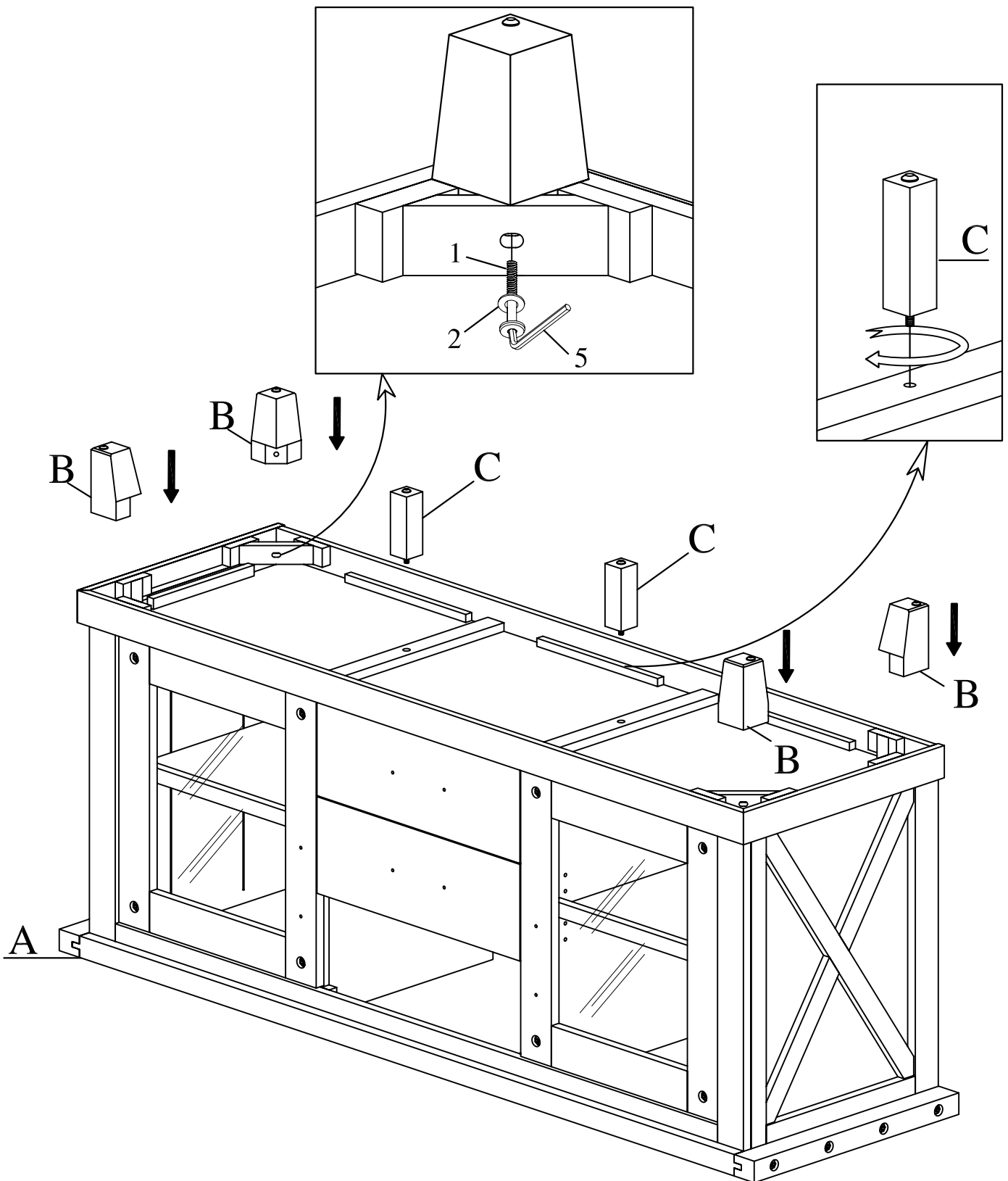
1	ALLEN BOLT (M6X50)	04 PCS	2	FLAT WASHER (M9)	04 PCS	3	HANDLE	02 PCS	4	THREADED BOLT (M4X30)	04 PCS	5	ALLEN KEY (M4)	01 PC

TOOL REQUIRED

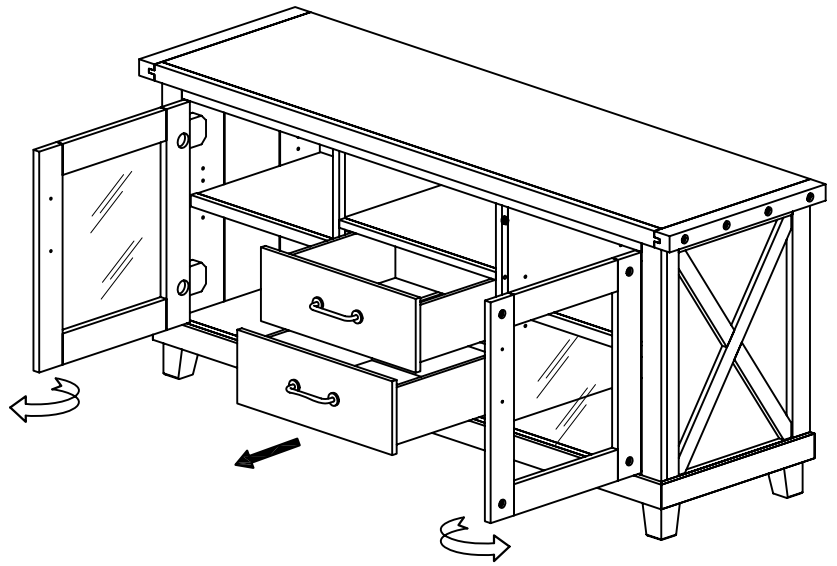
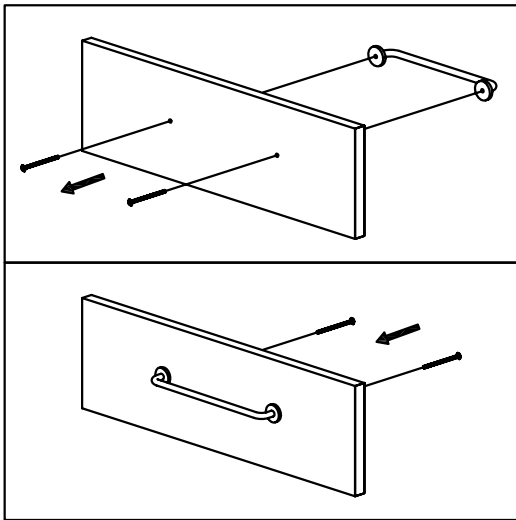
PHILLIPS HEAD SCREW
DRIVER NOT PROVIDED



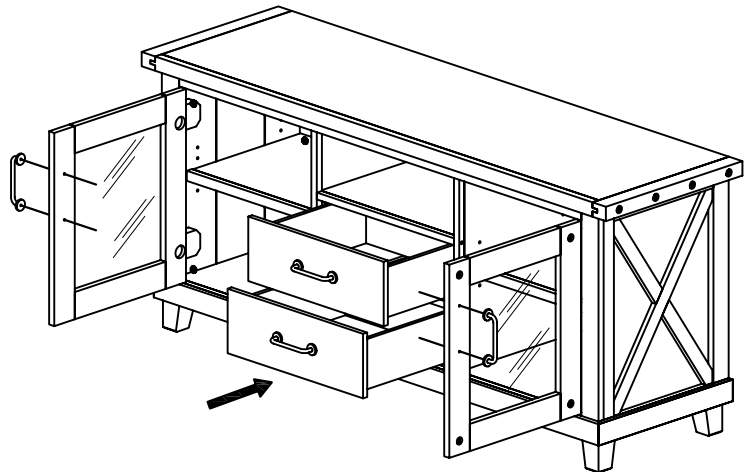
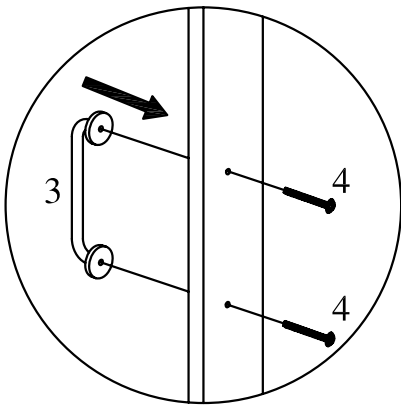
STEP 1: WITH THE CASE GOOD (A) UPSIDE DOWN, ATTACH THE LEGS (B) AND SUPPORT LEG (C) PER THE ILLUSTRATION, USING ONE ALLEN BOLT (1) AND FLAT WASHSER (2) PER LEG.



STEP 2: OPEN THE DRAWERS AND REMOVE THE HANDLE FROM THE INSIDE.



STEP 3: ATTACH THE REMOVED HANDLES TO THE OUTSIDE OF THE DRAWERS AND ATTACH THE HANDLE (3) TO THE DOORS.



ASSEMBLY COMPLETE.

