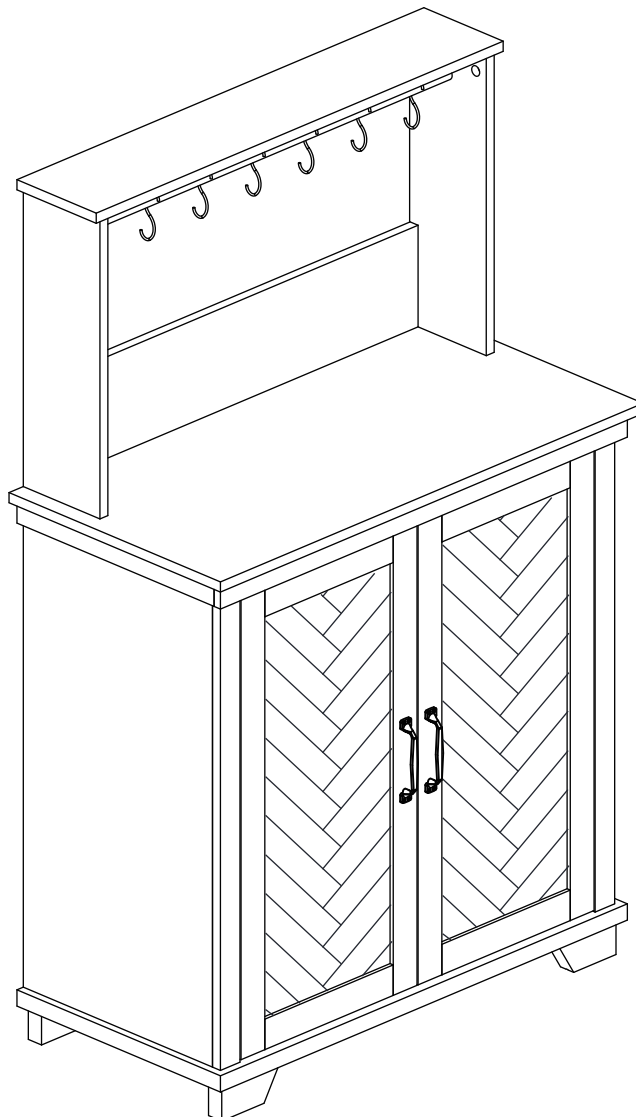


Sideboard Cabinet



THIS INSTRUCTION BOOKLET CONTAINS IMPORTANT SAFETY INFORMATION. PLEASE READ AND KEEP FOR FUTURE REFERENCE.

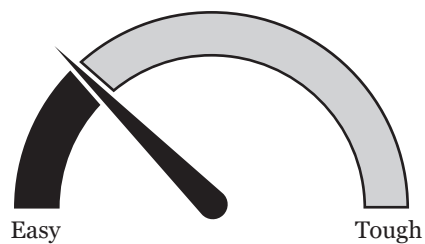
Do Not Return This Product!

Contact our customer service team
for help first.



WARNING

- Unit can tip over causing severe injury or death.
- Anchor unit to stud in wall (if instructed to)
- Do Not allow children to climb on unit.
- put heavy items on lower shelves or drawers.



Assembly Difficulty Meter

CONTACT US!

Do NOT return this product!

Contact our friendly customer service team first for help.

HELPFUL HINTS

PEOPLE NEEDED FOR ASSEMBLY:2
ESTIMATED ASSEMBLY TIME:1 HOUR

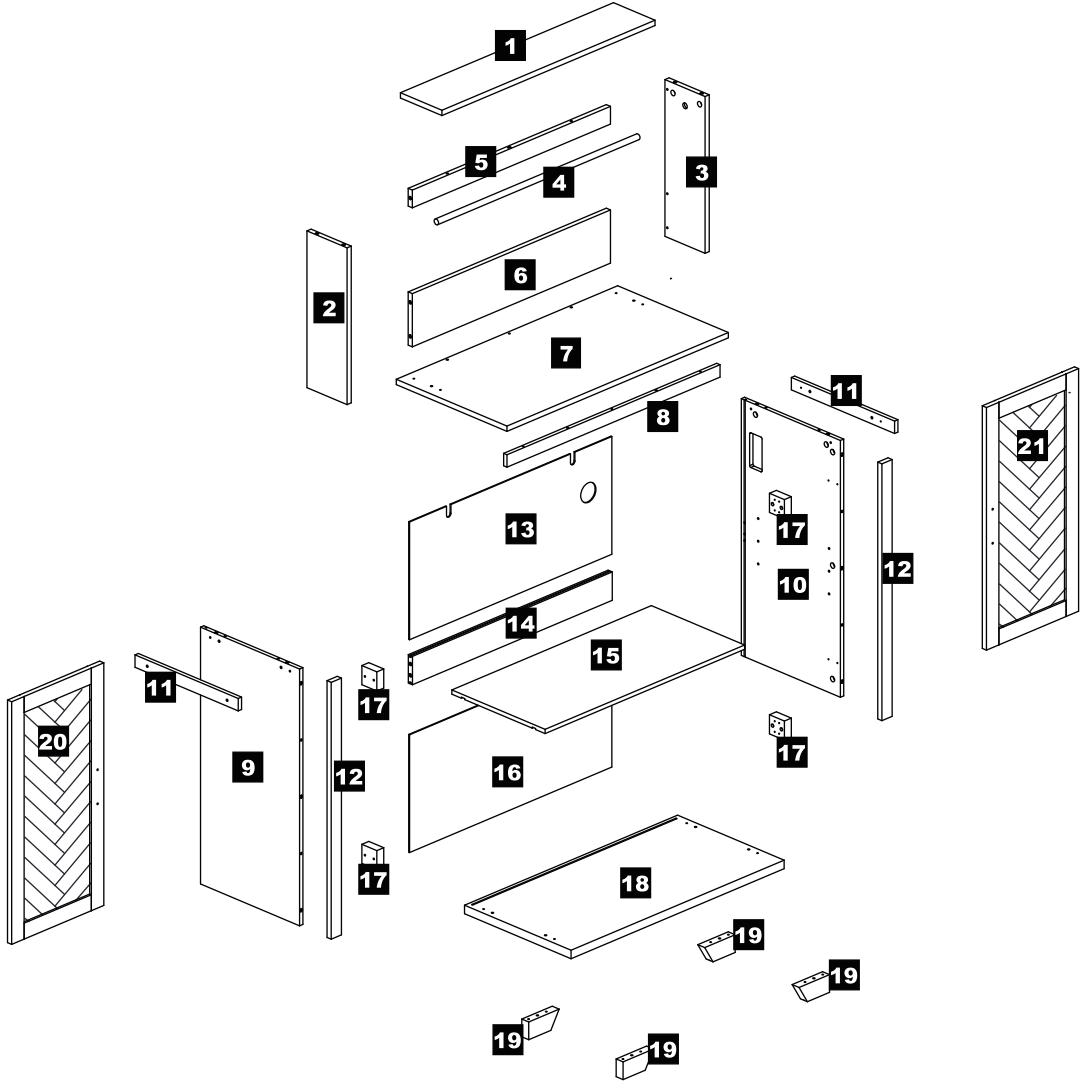
- Open your item in the area you plan to keep it to avoid excessive heavy lifting.
- Identify,sort and count the parts before attempting assembly.
- Back panel must be used to make sure your unit is sturdy.
- Do NOT use harsh chemicals or abrasive cleaners on this item.
- Never push,pull,or drag your furniture.








BEFORE YOU START




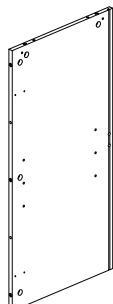
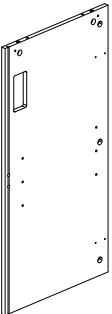


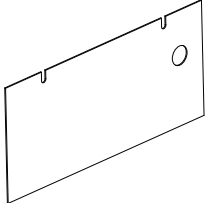

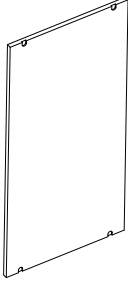
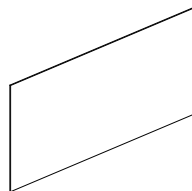
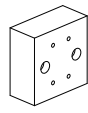
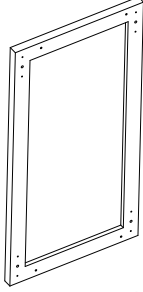
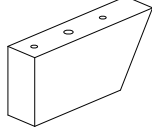
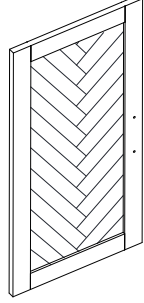
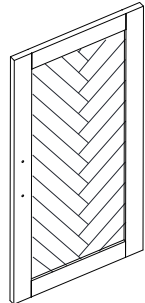
- Read through each step carefully and follow the proper order
- Separate and count all your parts and hardware
- Give yourself enough room for the assembly process
- Have the following tools:Flat Head Screwdriver,#2 Phillips Head Screwdriver and Hammer
- Caution: IF using a power drill or power screwdriver for screwing,please be aware to slow down and stop when screw is tight.Failure to do so may result in stripping the screw.

BOARD IDENTIFICATION



<p>1</p>  <p>1PC</p>	<p>2</p>  <p>1PC</p>	<p>3</p>  <p>1PC</p>	<p>4</p>  <p>1PC</p>	<p>5</p>  <p>1PC</p>
--	--	--	--	--

BOARD IDENTIFICATION

<p>6</p>  <p>1PC</p>	<p>7</p>  <p>1PC</p>	<p>8</p>  <p>1PC</p>	<p>9</p>  <p>1PC</p>	<p>10</p>  <p>1PC</p>
<p>11</p>  <p>2PCS</p>	<p>12</p>  <p>2PCS</p>	<p>13</p>  <p>1PC</p>	<p>14</p>  <p>1PC</p>	<p>15</p>  <p>1PC</p>
<p>16</p>  <p>1PC</p>	<p>17</p>  <p>4PCS</p>	<p>18</p>  <p>1PC</p>	<p>19</p>  <p>4PCS</p>	<p>20</p>  <p>1PC</p>
<p>21</p>  <p>1PC</p>				

THE HARDWARES

A



Cam bolt

26+2 PCS

B



Cam lock

26+2 PCS

C

6 x 30mm

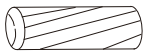


Wood dowel

24+2 PCS

D

6 x 20mm



Wood dowel

4PCS

E

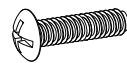


Handle

2PCS

F

4 x 18mm

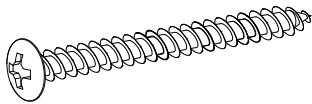


Bolt

4PCS

G

4 x 60mm

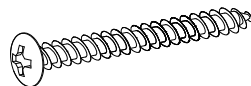


Screw

8+1PCS

H

4 x 45mm

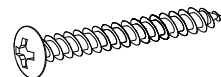


Screw

4PCS

I

4 x 40mm

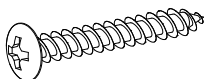


Screw

7PCS

J

4 x 30mm

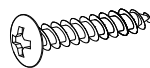


Screw

10+1 PCS

K

4 x 20mm

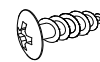


Screw

4 PCS

L

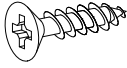
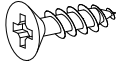

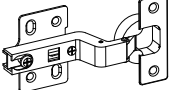
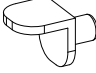


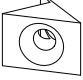

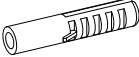
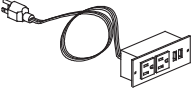
4 x 12mm



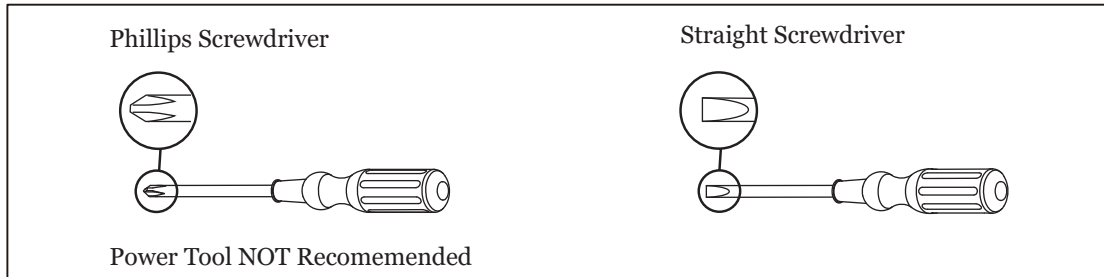
Screw

2 PCS

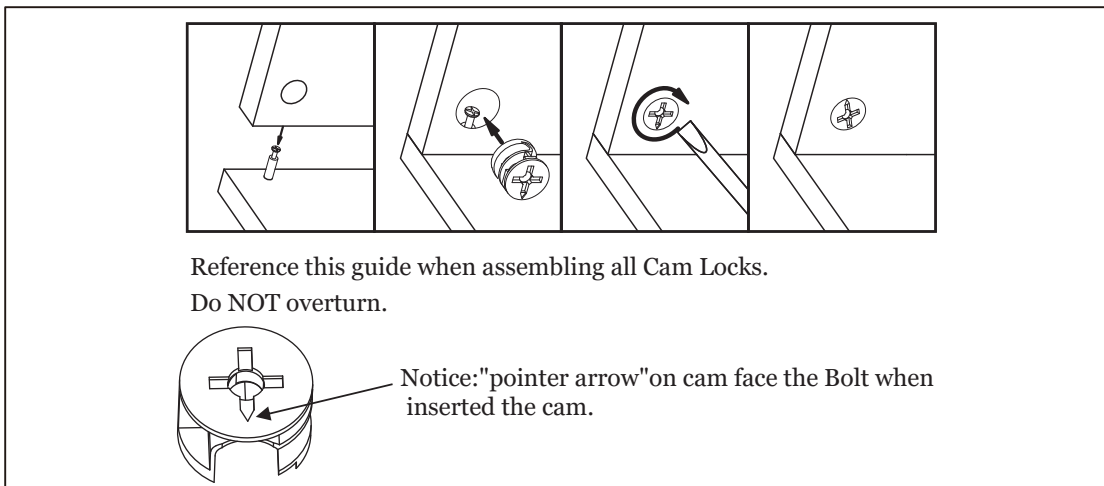
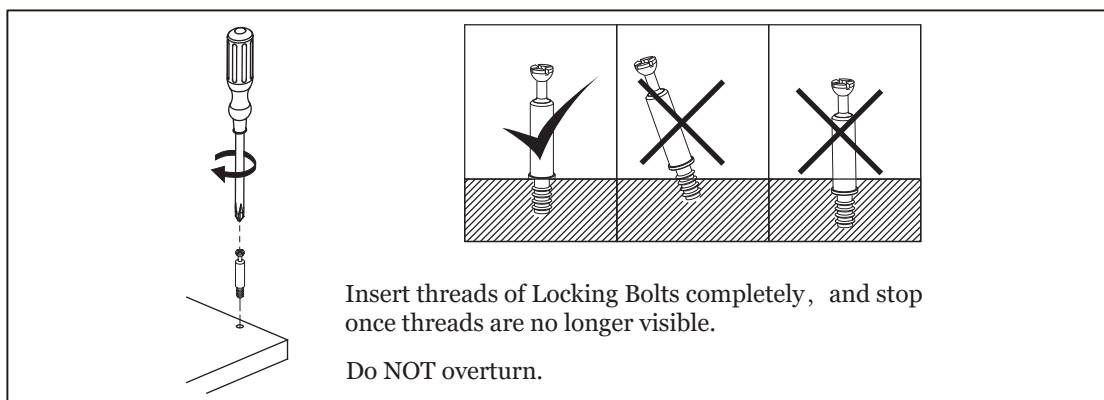
THE HARDWARES

M 4 x 14mm	N 3 x 14mm	O
		
Screw	Screw	Bumper
24+2PCS	10+1PCS	2PCS
P	Q	R
		
Hinge	Metal Support	Hook
4PCS	4PCS	6PCS
S	T	U
		
Wall Bracket	Back Buckle	Cam Cover
2 PCS	8+1 PCS	4 PCS
V	W	
		
Wall Anchor	Power Strip	
2 PCS	1 PC	

TOOLS REQUIRED



To ensure proper assembly we have included the following guides:



IMPORTANT :

1. Do not tighten bolts / screws completely until all bolts / screws are lined up and inserted into holes.
2. Do not over tighten screws and bolts to avoid stripping.
3. Please use hand tools to assemble this product. Do not use power tools.
4. Must need 2 people to assemble this product.

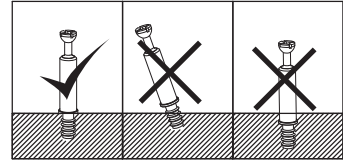
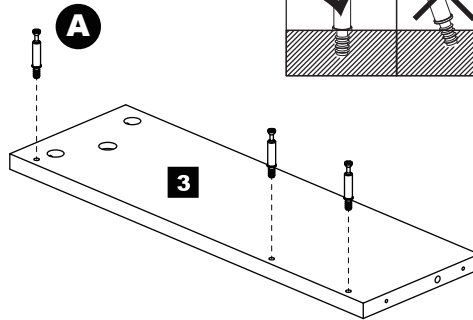
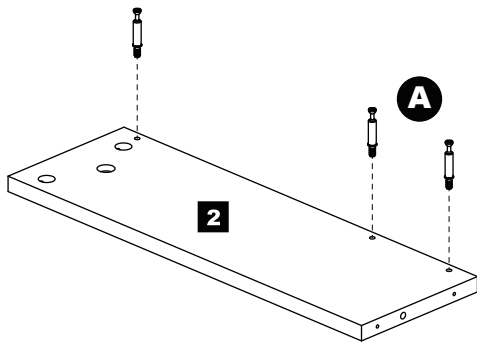
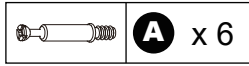


2 PERSONS

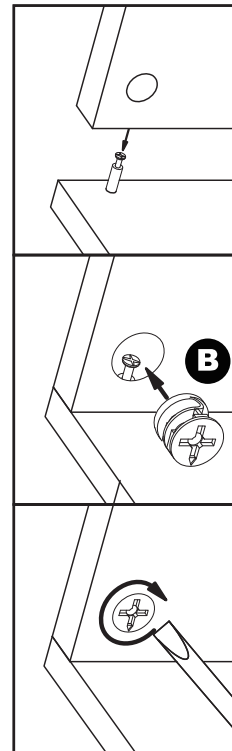
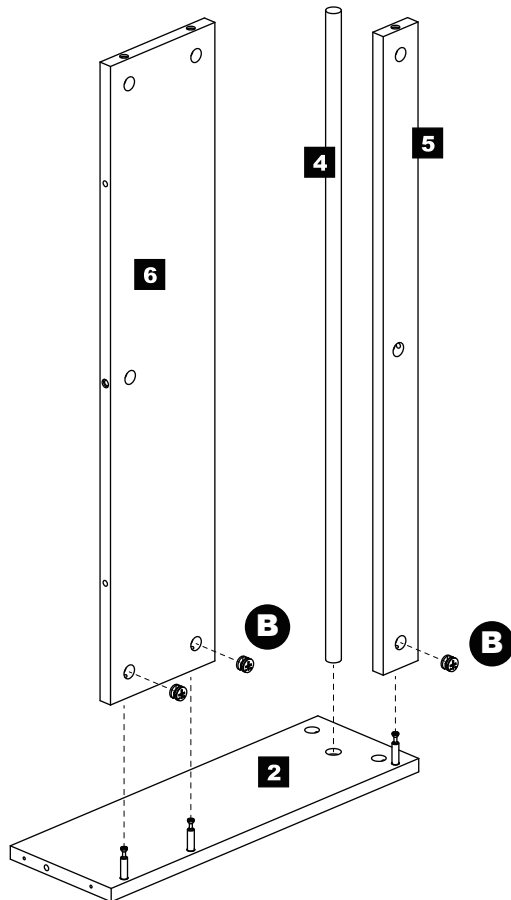
INSTALLATION STEPS



STEP 1



STEP 2



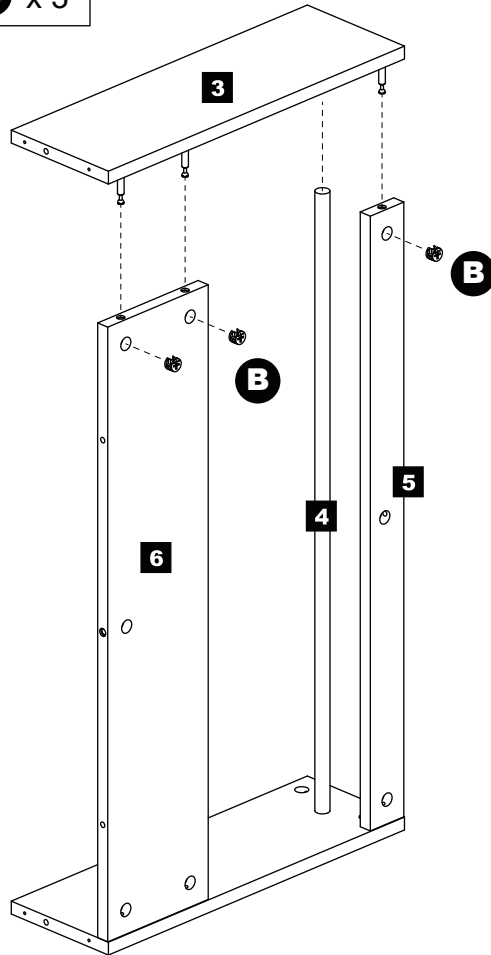
INSTALLATION STEPS



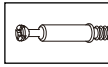
STEP 3



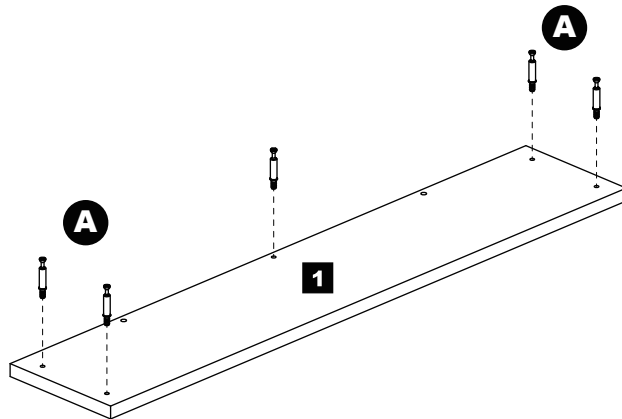
B x 3



STEP 4



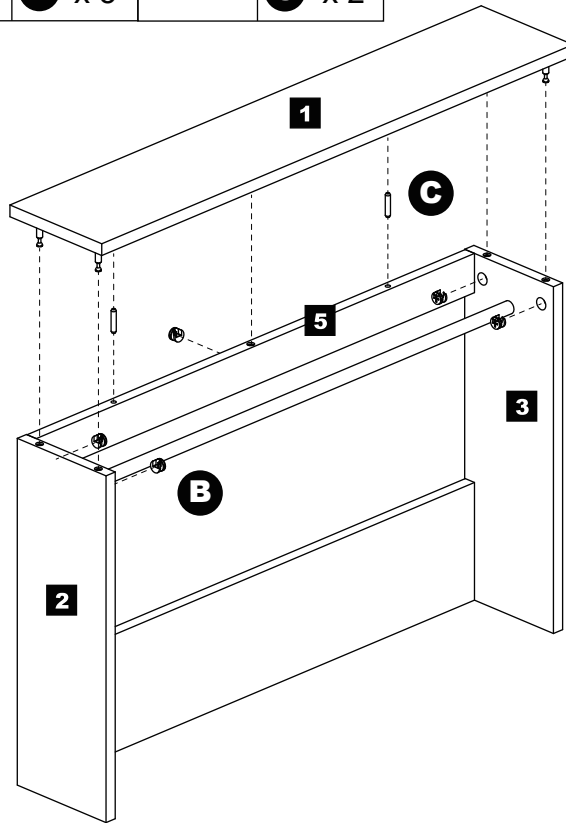
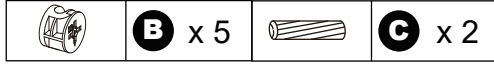
A x5



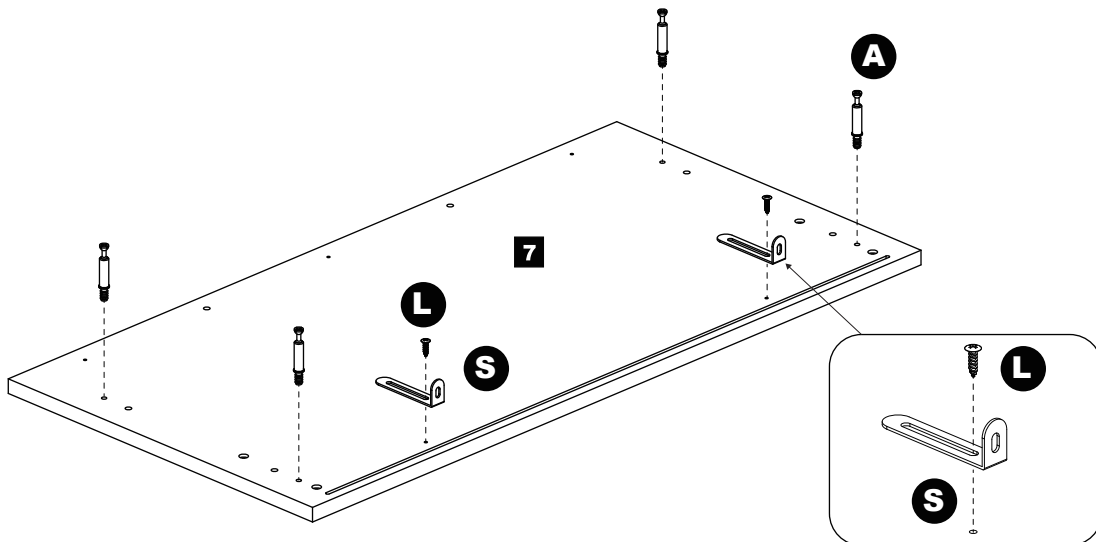
INSTALLATION STEPS



STEP 5

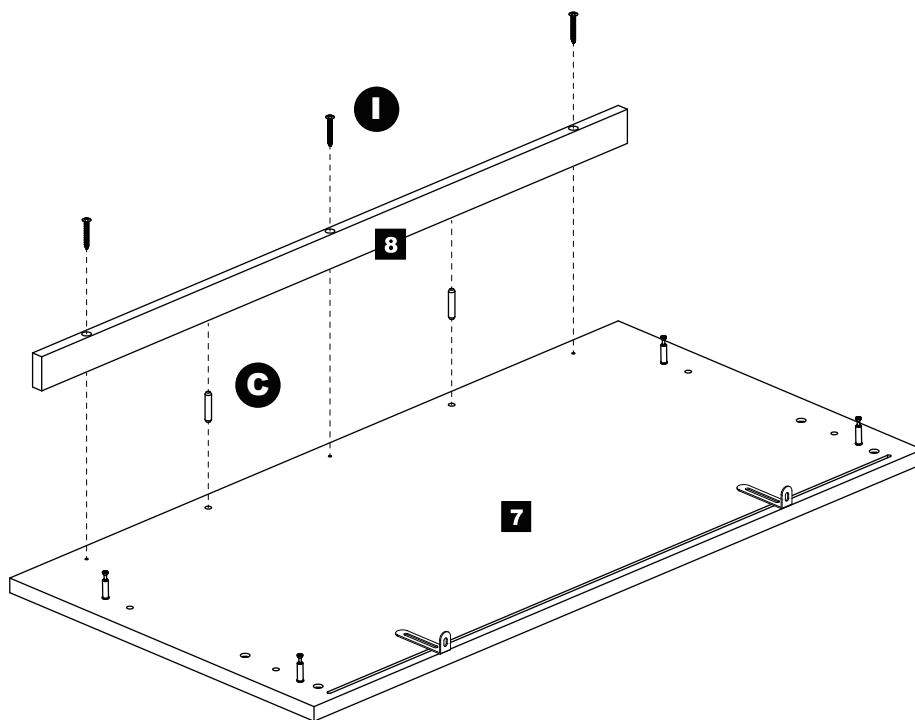


STEP 6

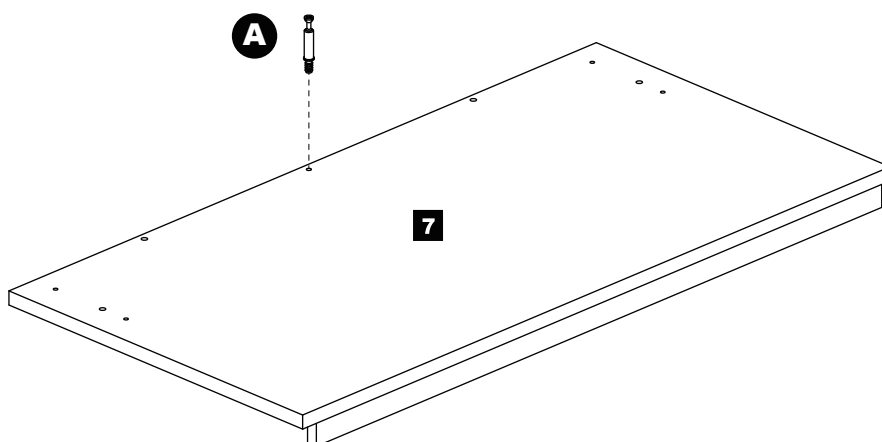


INSTALLATION STEPS

 **STEP 7**  **C** x 2  **I** x 3



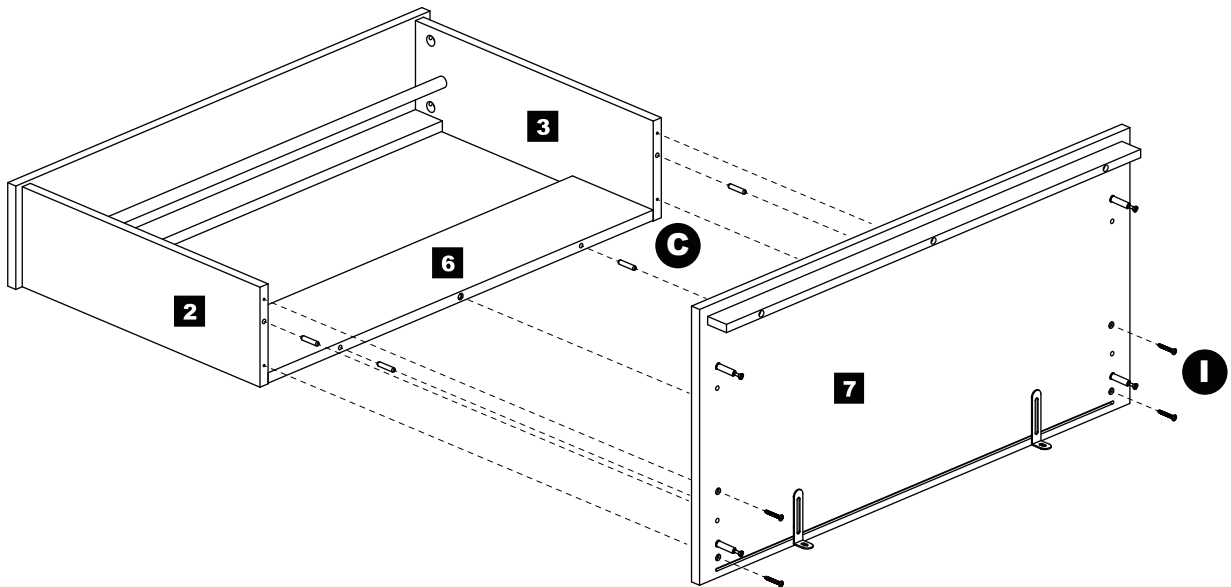
 **STEP 8**  **A** x 1



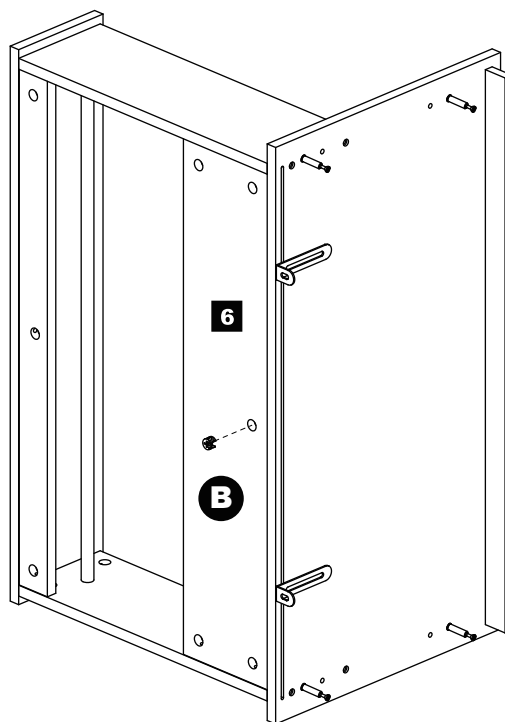
INSTALLATION STEPS



STEP 9



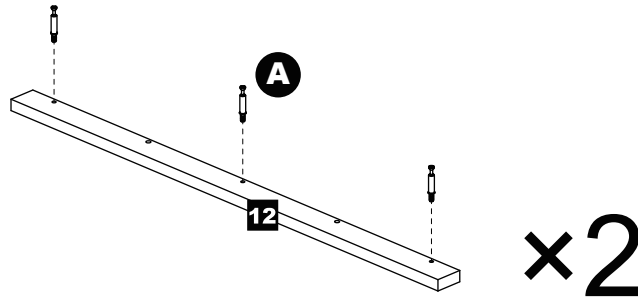
STEP 10



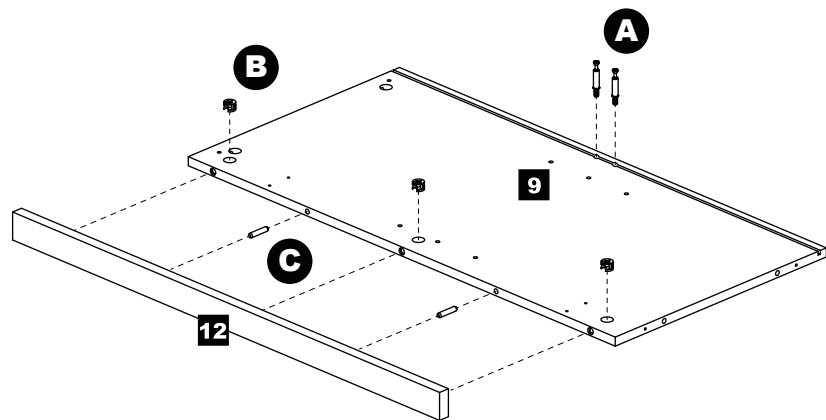
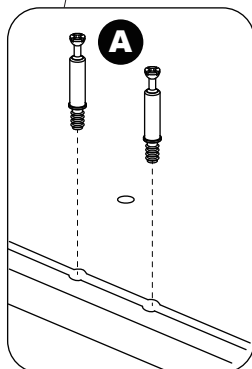
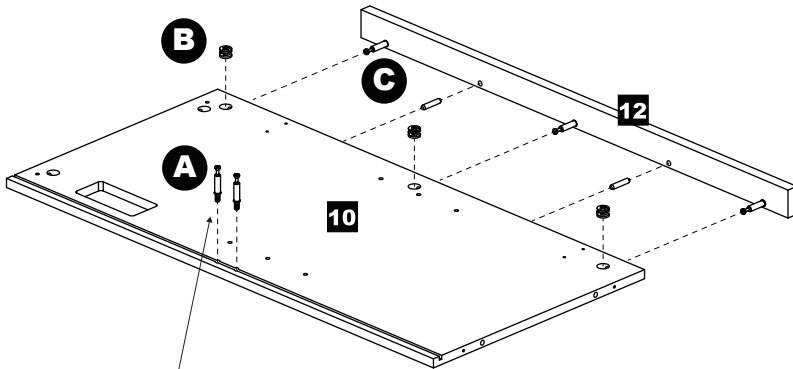
INSTALLATION STEPS



STEP 11



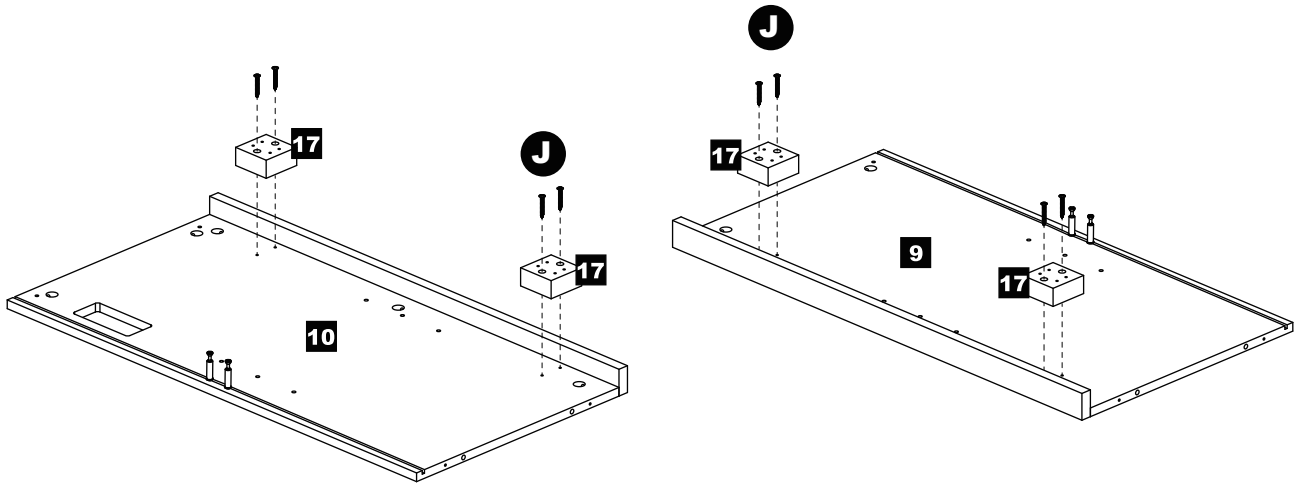
STEP 12



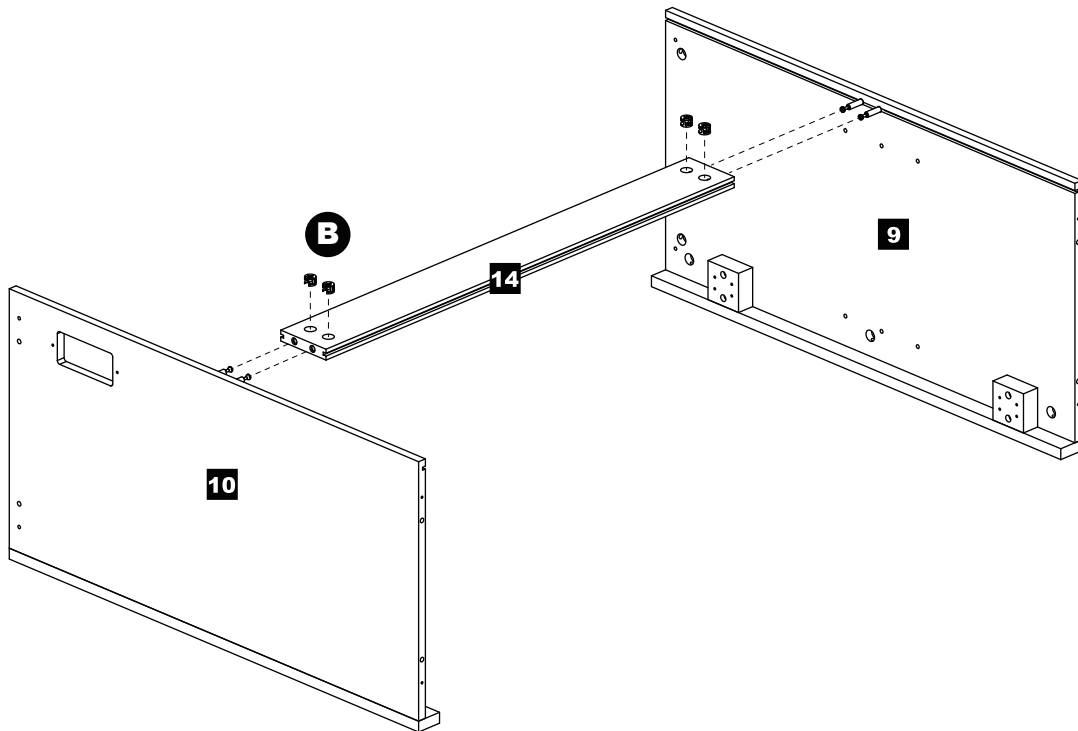
INSTALLATION STEPS



STEP 13



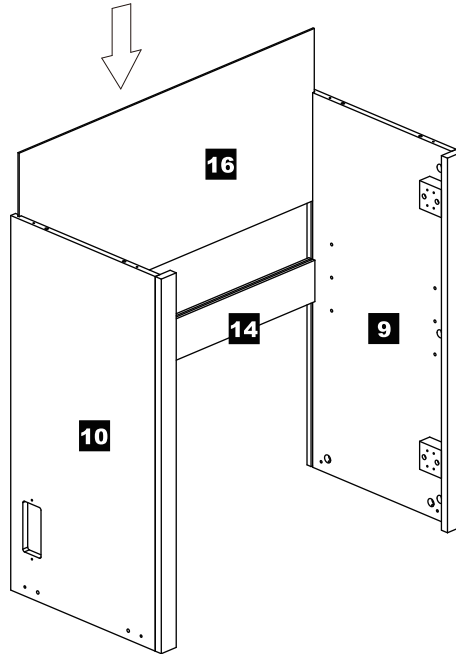
STEP 14



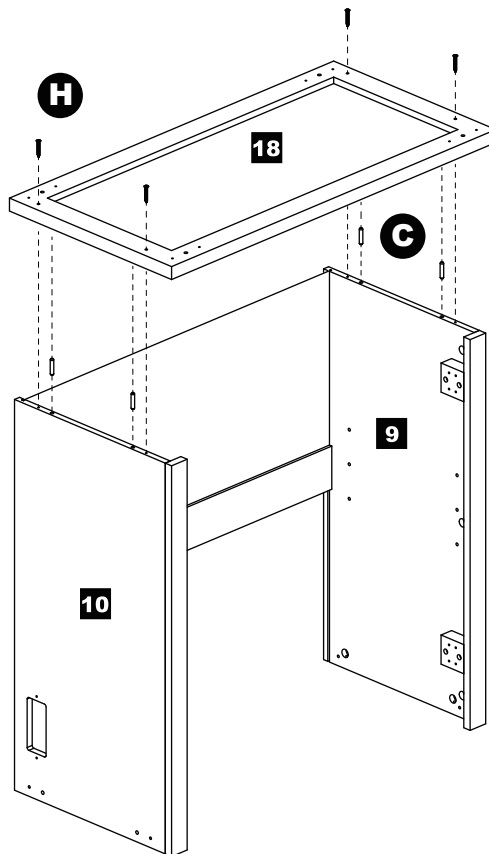
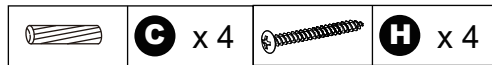
INSTALLATION STEPS



STEP 15



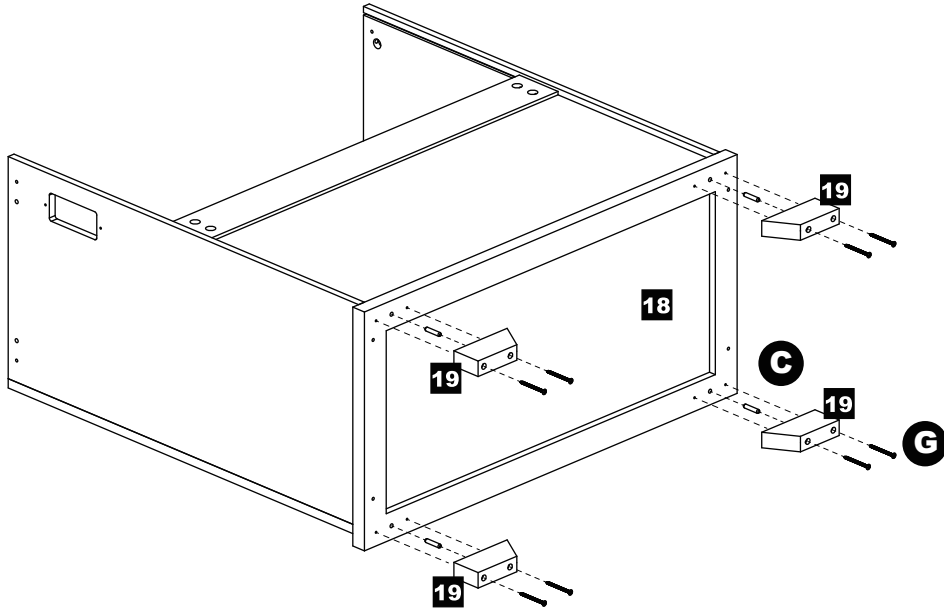
STEP 16



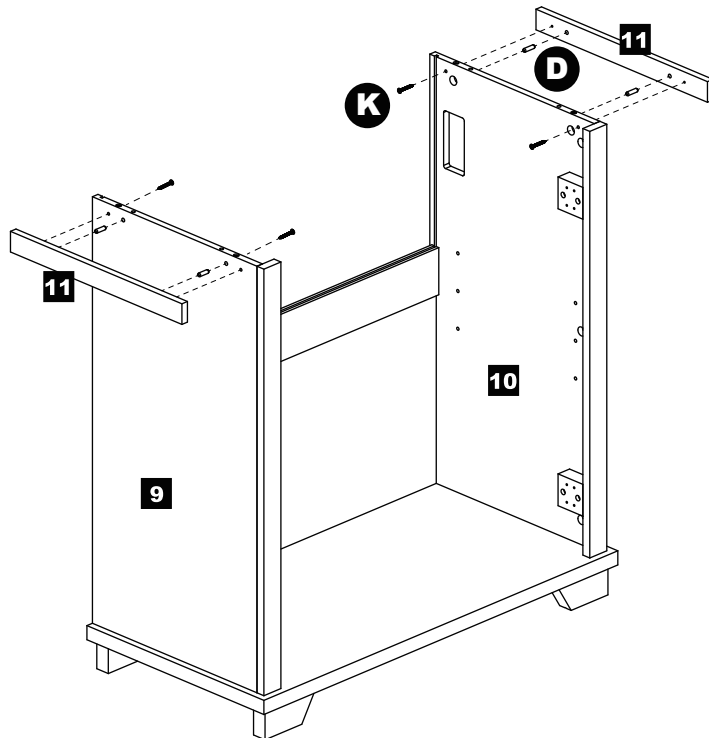
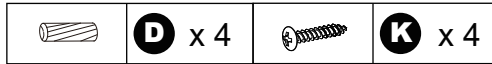
INSTALLATION STEPS



STEP 17



STEP 18



INSTALLATION STEPS



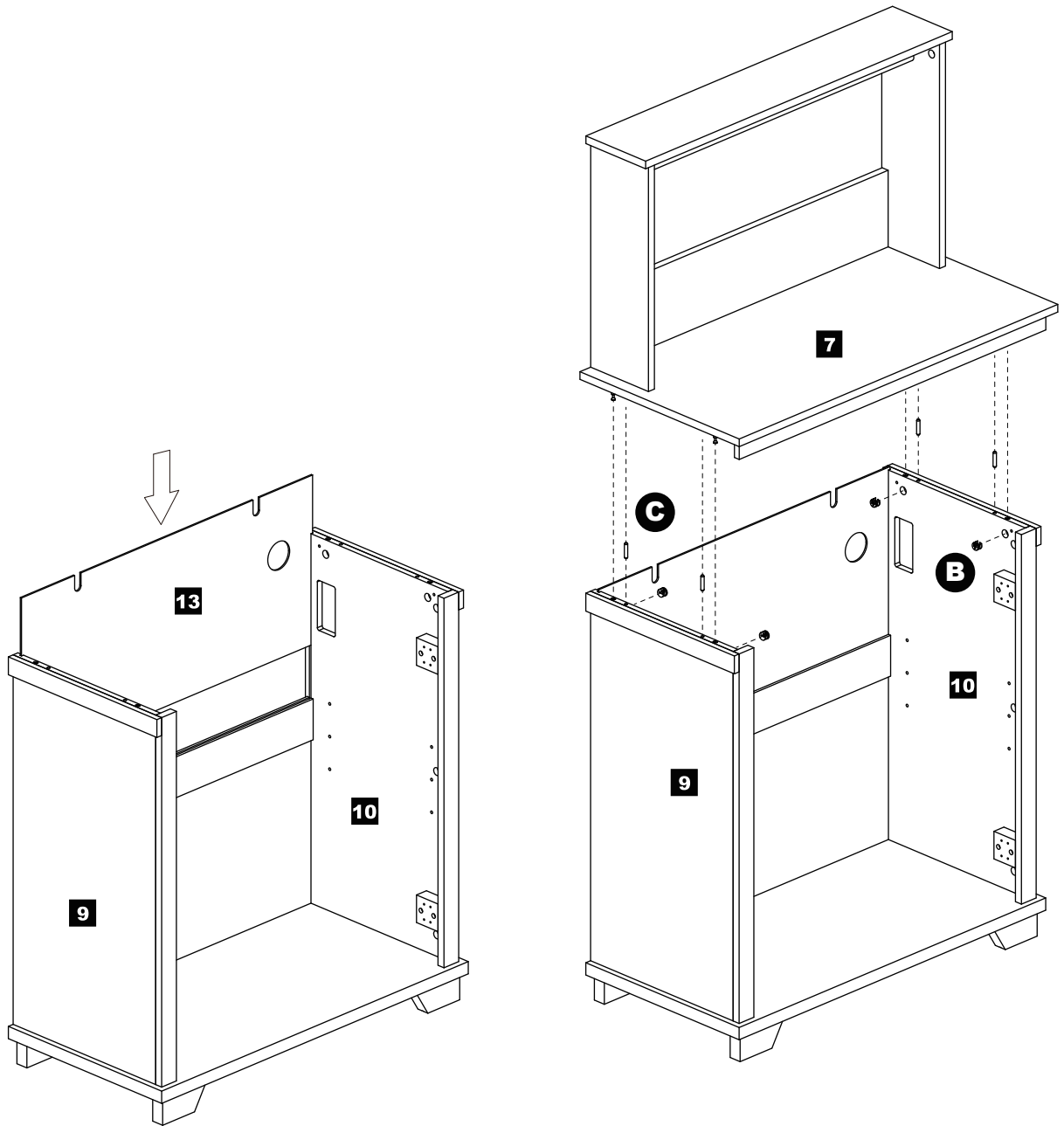
STEP 19



B x 4



C x 4

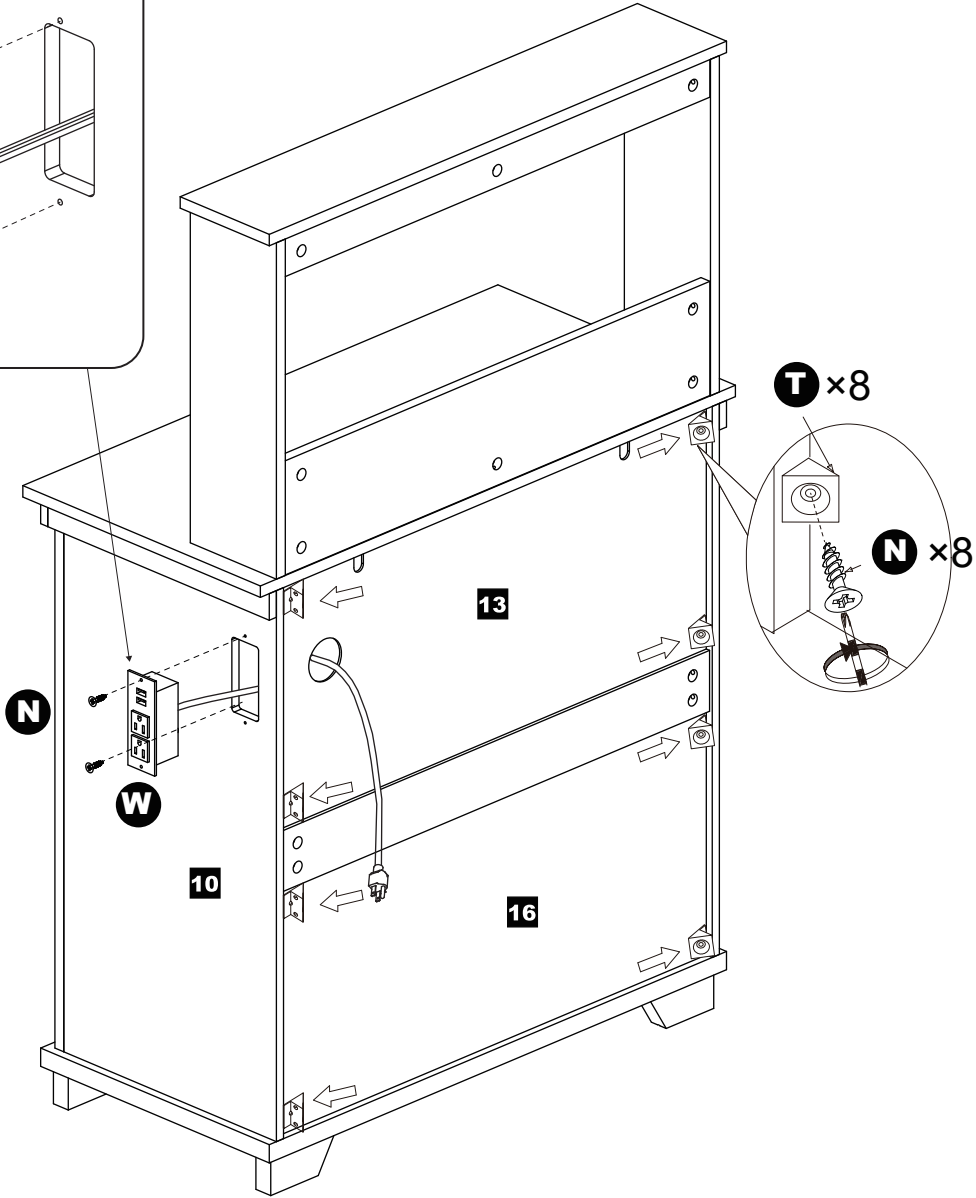
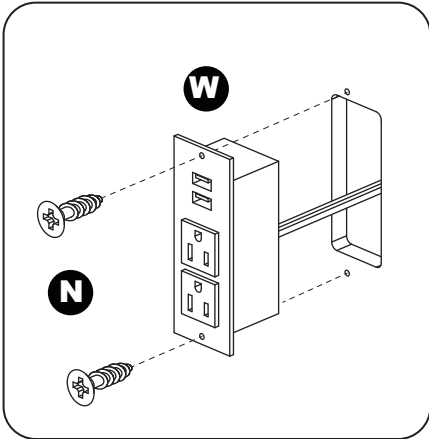


INSTALLATION STEPS



STEP 20

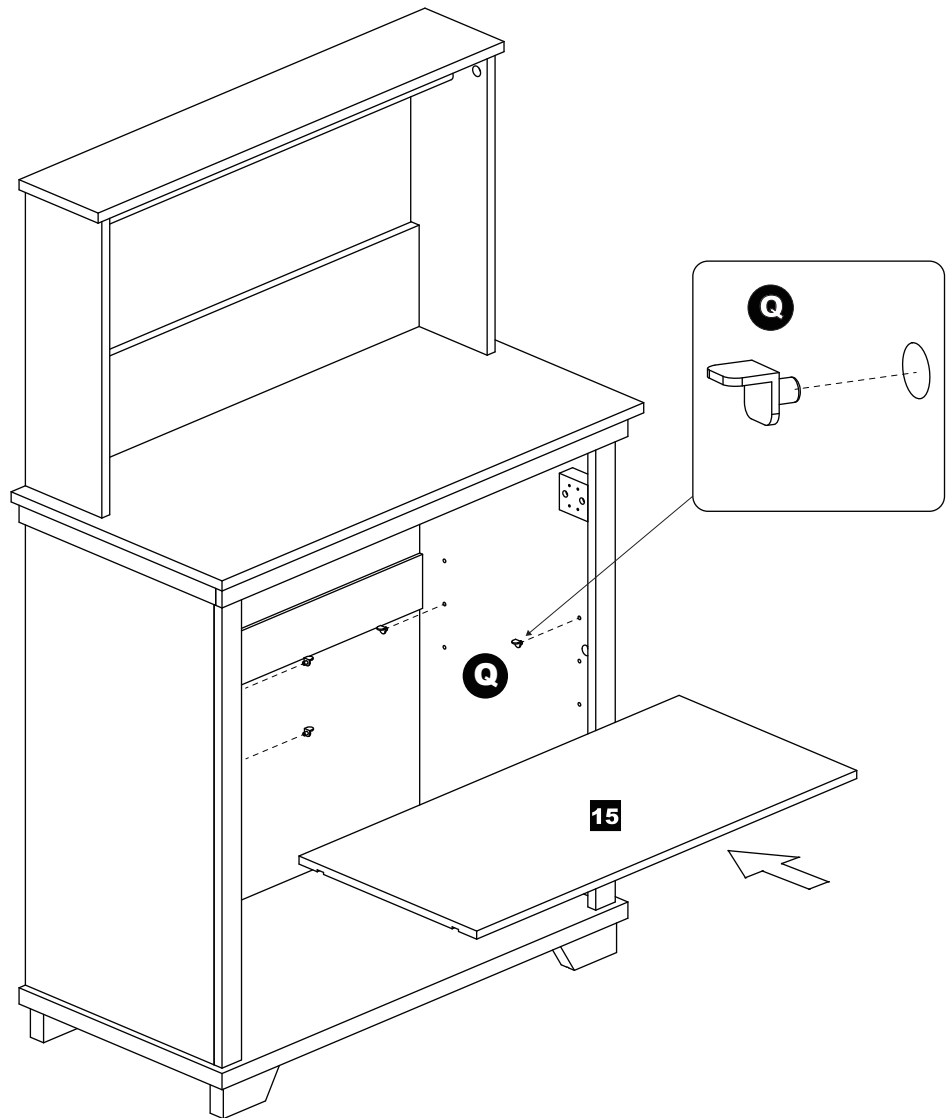
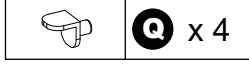
	N x 10		T x 8		W x 1
--	---------------	--	--------------	--	--------------



INSTALLATION STEPS



STEP 21



INSTALLATION STEPS



STEP 22



E x 2



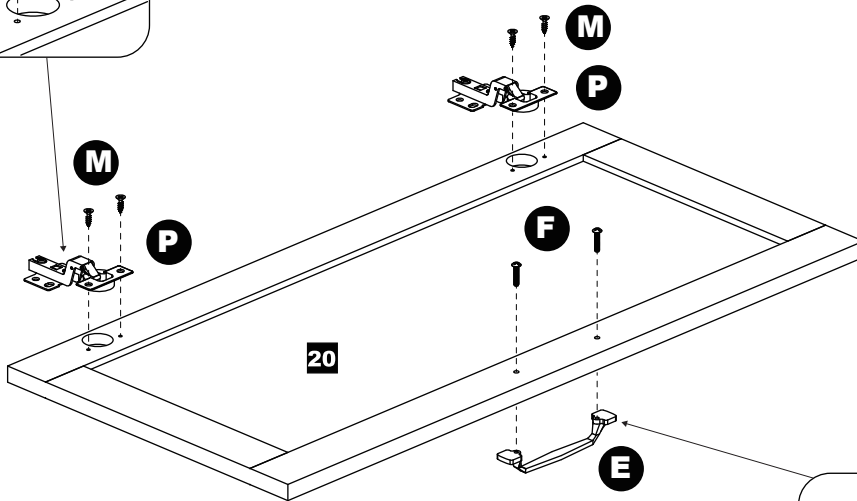
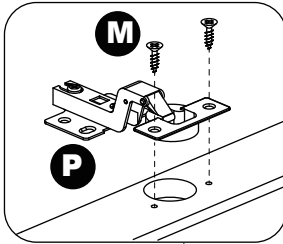
F x 4



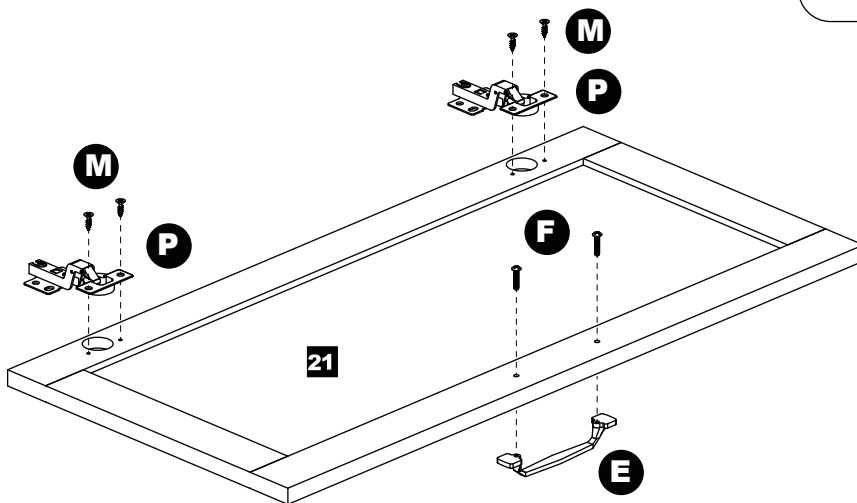
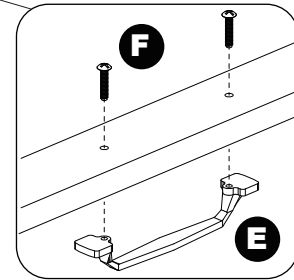
M x 8



P x 4



20

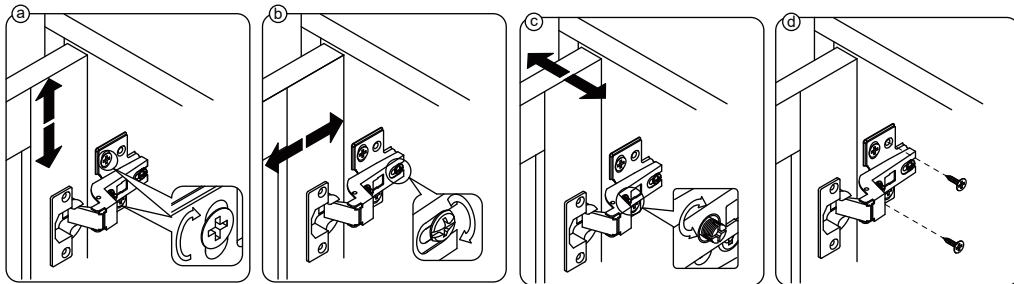
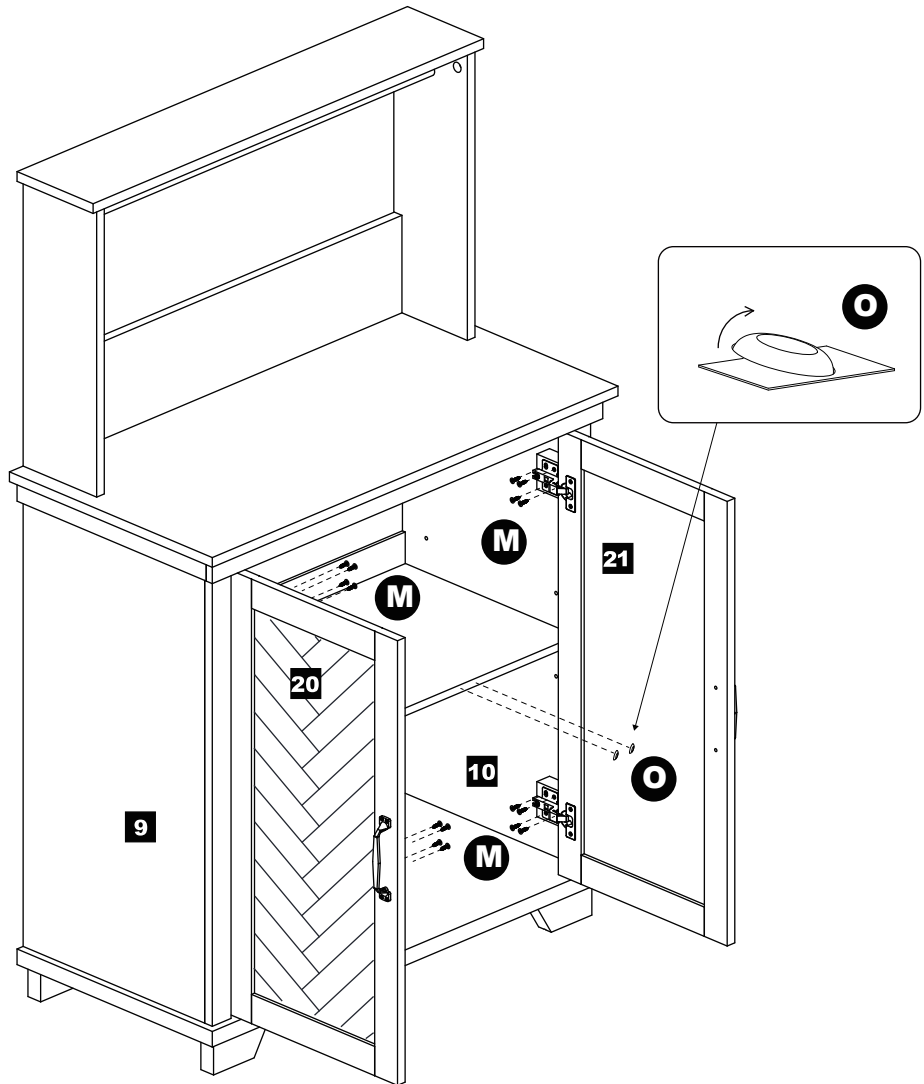
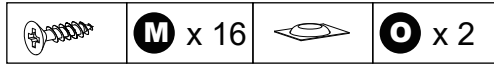


21

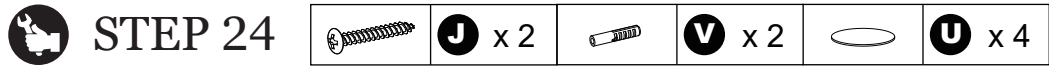
INSTALLATION STEPS



STEP 23

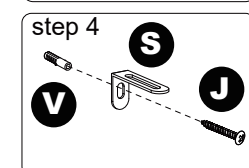
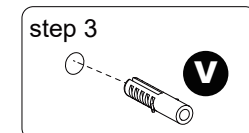
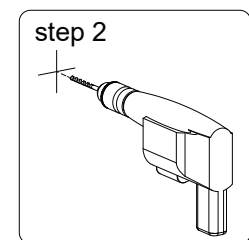
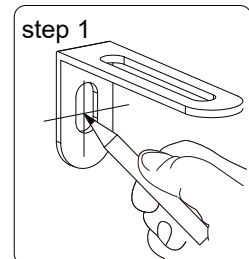
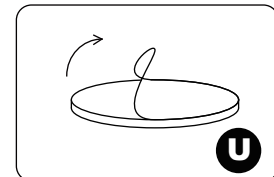
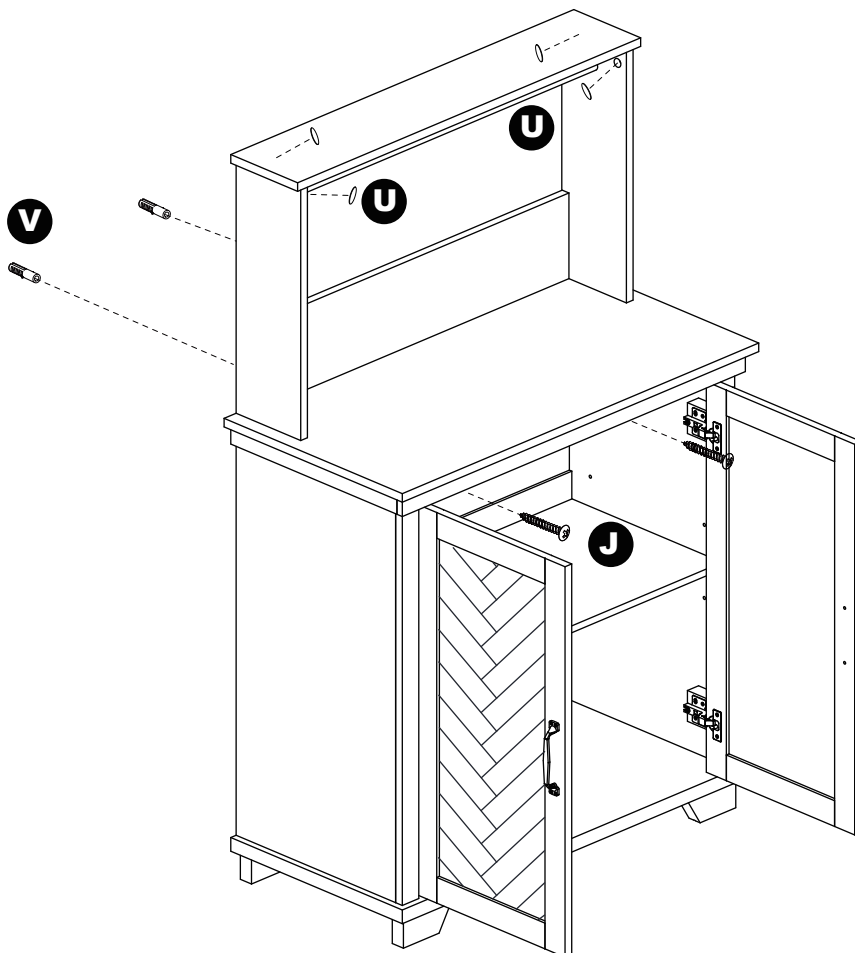


INSTALLATION STEPS



To reduce the risk of furniture tipping over ,
pls follow below steps to fix this item to the wall :

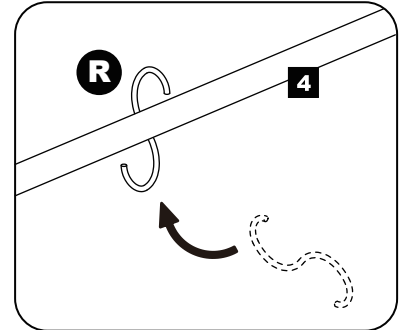
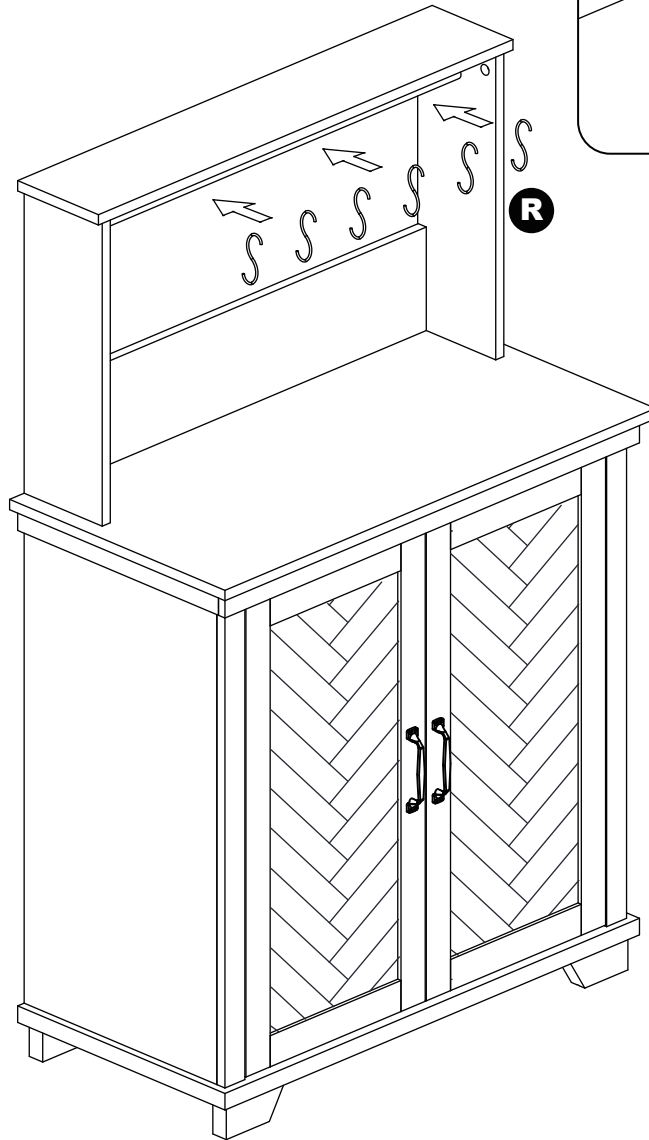
- 1) Place this cabinet to your desired location, use a pencil to make two small marks on solid wall through holes on wall bracket(S)
- 2) Move cabinet away ,follow the pencil mark to drill 2 holes on solid wall
- 3) Screw 2 wall anchors(V) into wall holes
- 4) Place cabinet against to the wall,insert 2 screws(J) through wall bracket(S) into wall anchors(V)



INSTALLATION STEPS



STEP 25



Warning:

Please double check and make sure all screws are firmly fixed before use