


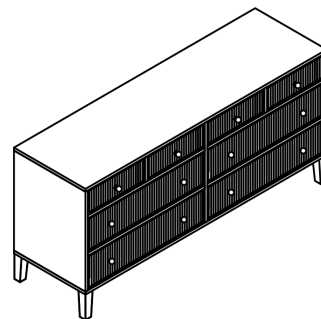


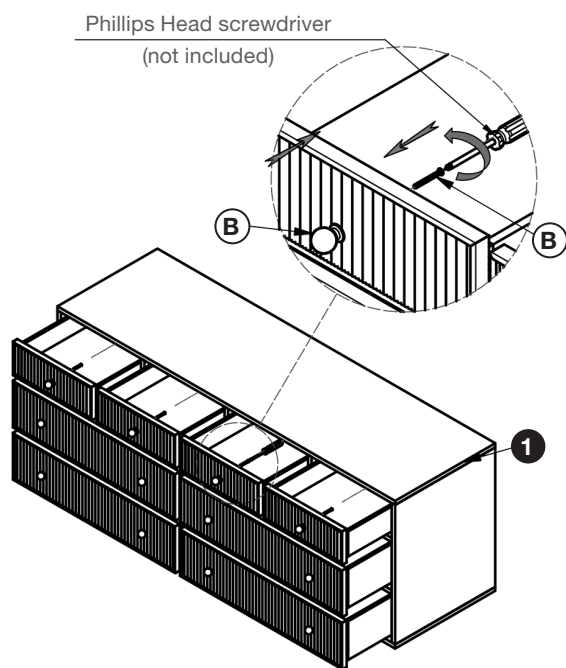
ASSEMBLY INSTRUCTIONS

HARDWARE CHECKLIST		
A		Bolts M6x20 (12pcs)
B		Handle with screws M4x35 (12pcs)
C		Allen Key (1pc)

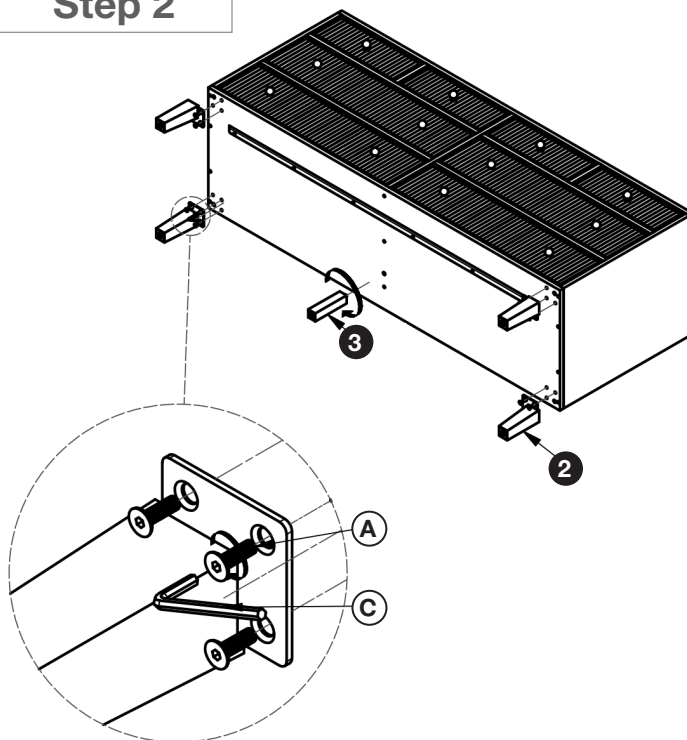
PARTS CHECKLIST	
1	1pc
2	4pcs
3	1pc



Step 1



Step 2



Finish

Adjust levelers as needed

