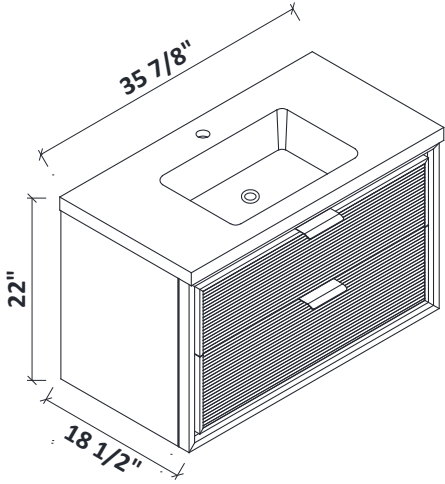
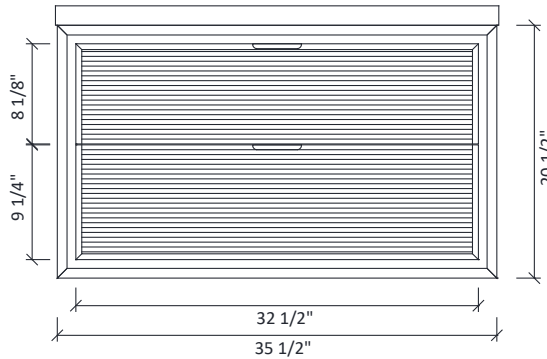
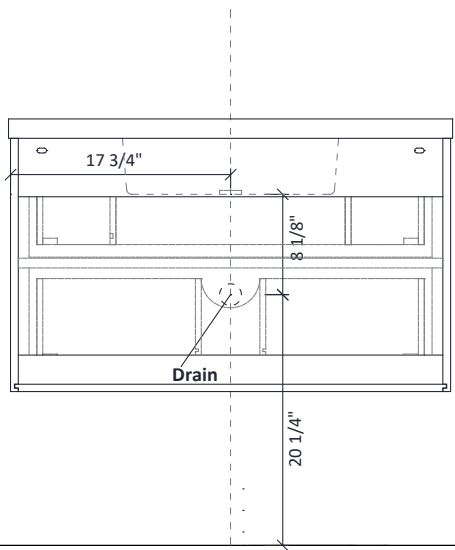
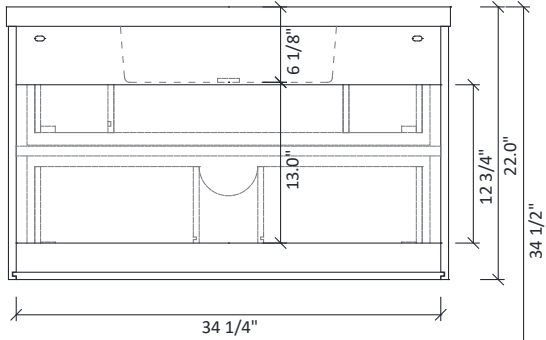
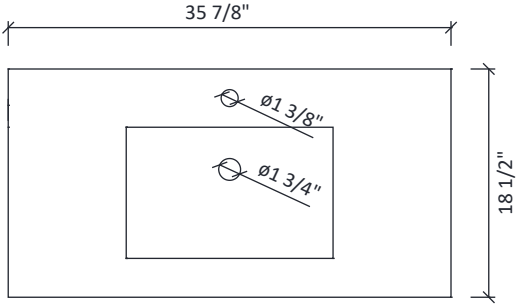


# S2516-36 Floating Vanity Installation Instruction



## DIMENSIONS



**WARNING !**  
In the hole on the wall, please be sure to be careful to avoid the internal cables and pipelines.



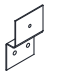


## MATERIALS & TOOLS

Safety glasses, Pencil, Level, Tape measure, Stud Finder, Assorted screwdrivers, Assorted Wrenches, Drill, Screw gun, Caulking gun, Hammer, Screws, Nail anchors/Molly screws.

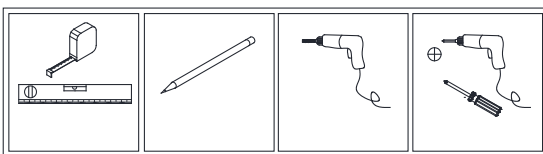
# Vanity Installation

## Step 1

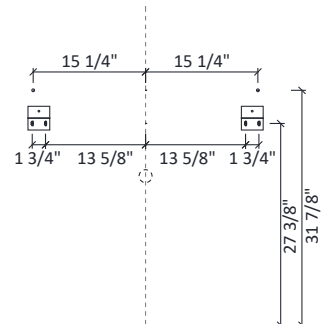
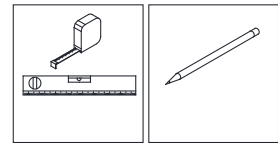
### PARTS

 A x2	 6*45 B x6	 C x2	 D x6
 3.5*15 E x2			

### TOOLS REQUIRED

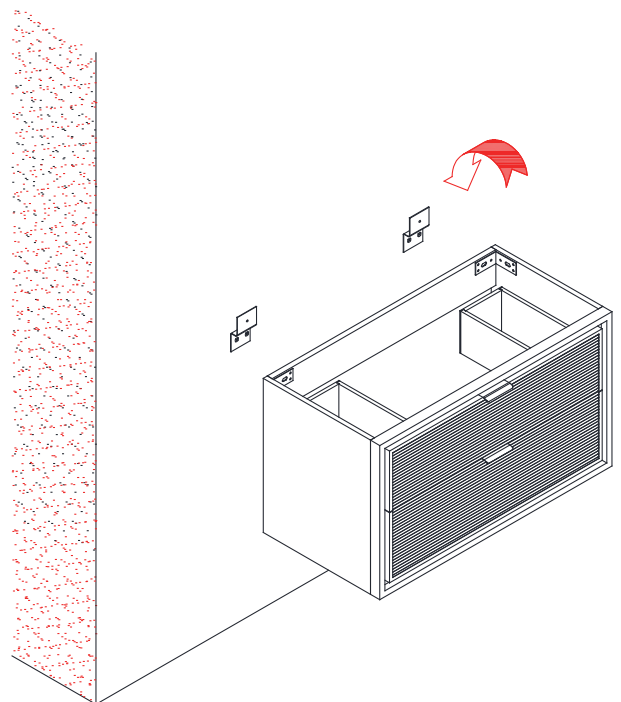
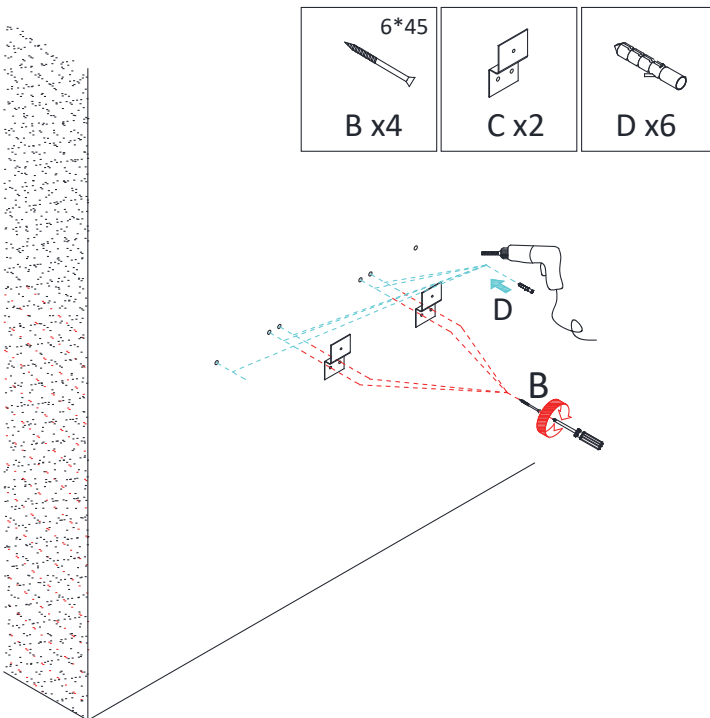


## Step 2



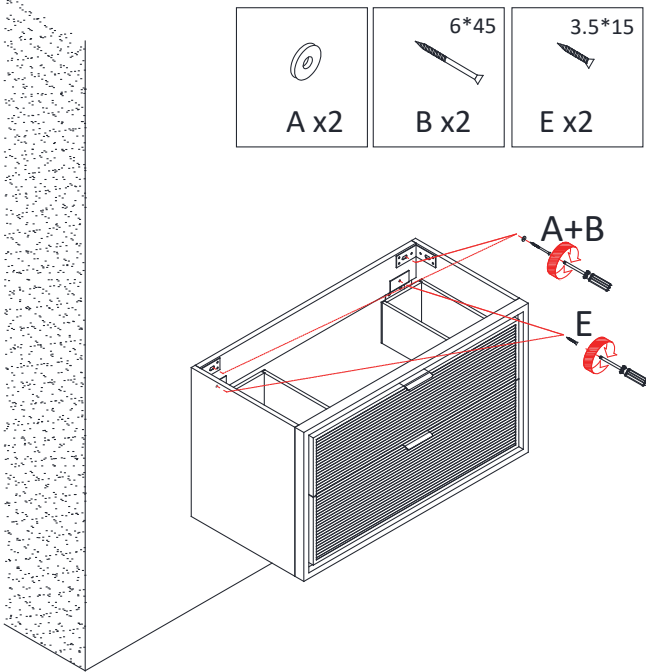
## Step 3

## Step 4

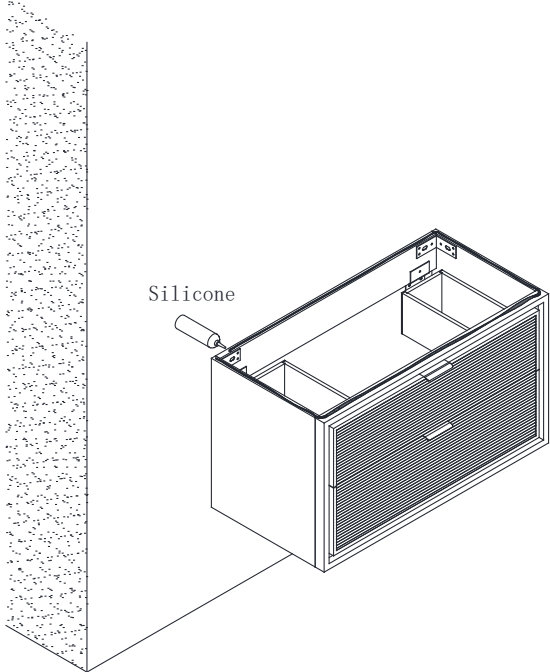


# Vanity Installation

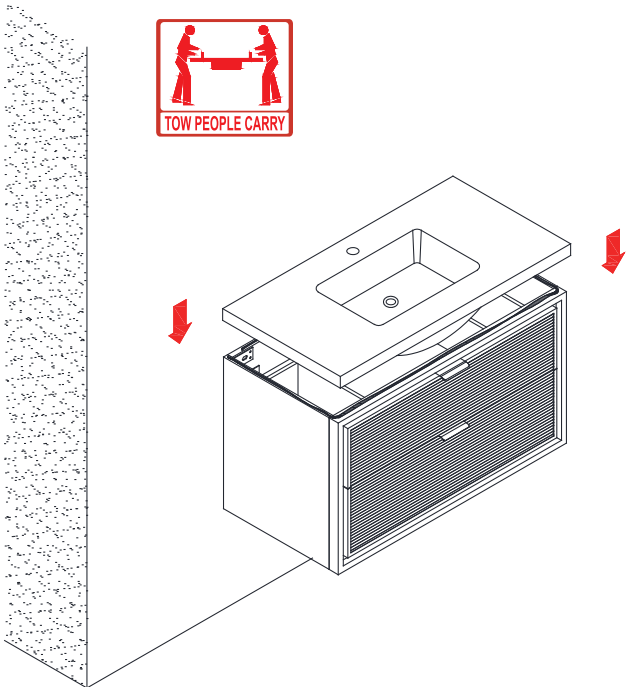
Step 5



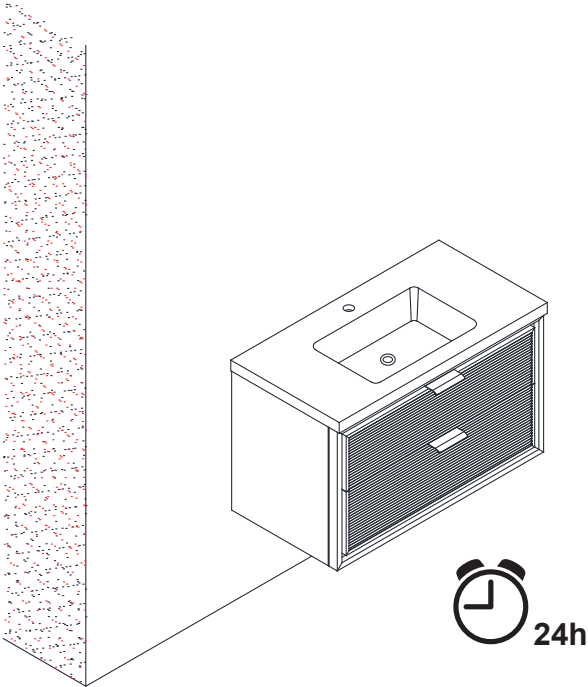
Step 6



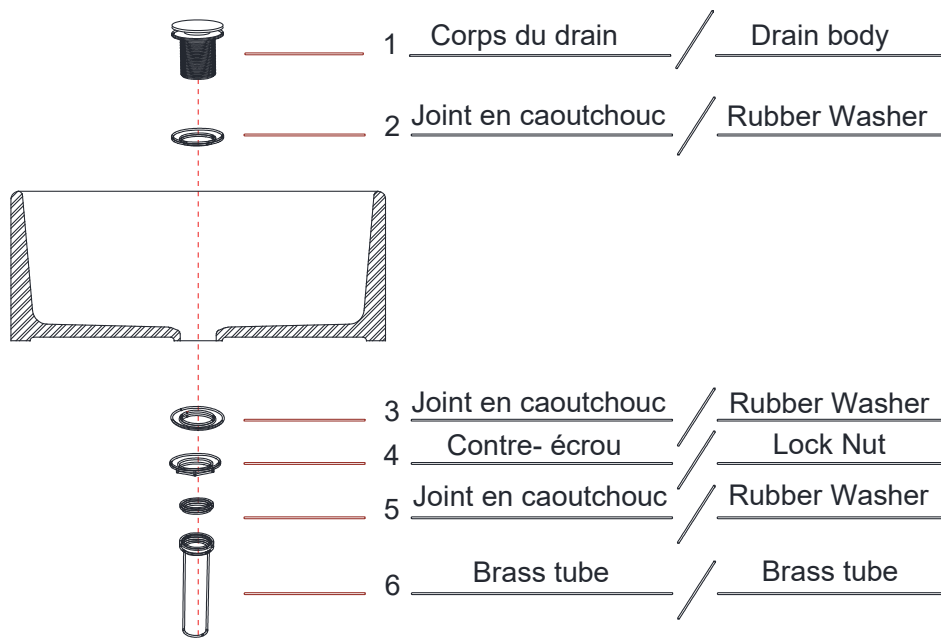
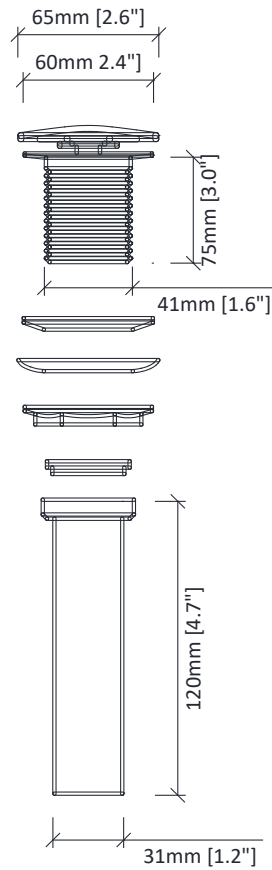
Step 7



Step 8



# Drain Installation Instruction



**WARNING !**

*In the hole on the wall, please be sure to be careful to avoid the internal cables and pipelines.*