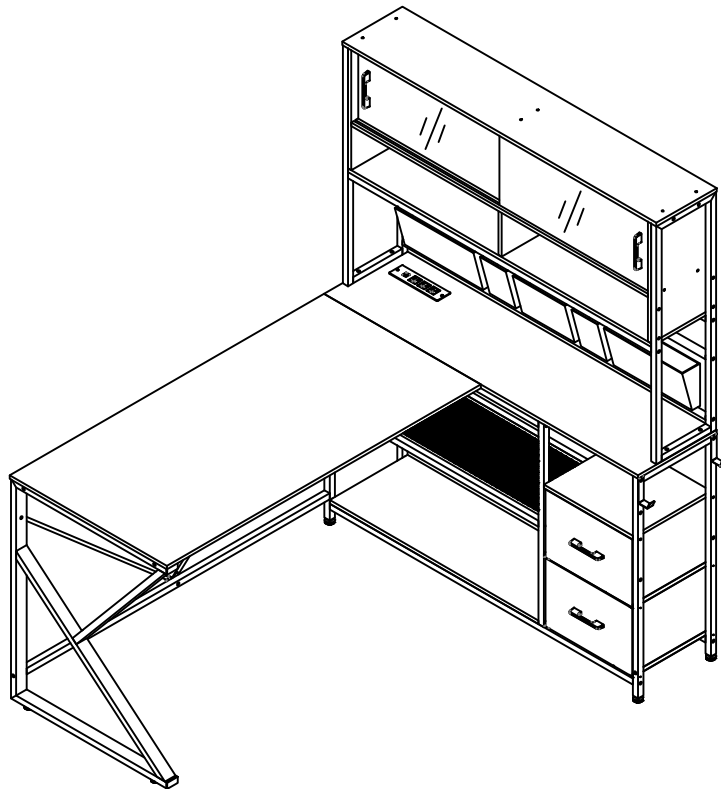
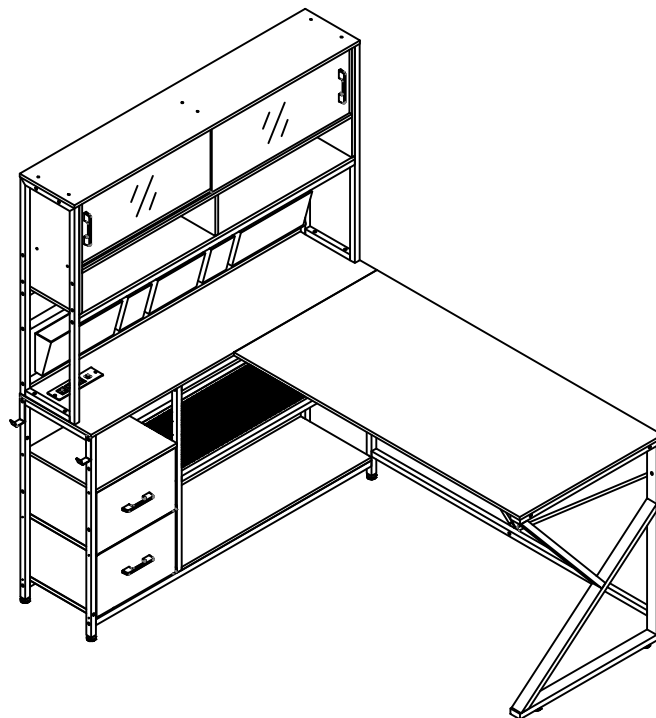


# Computer Desk



Installation Option I

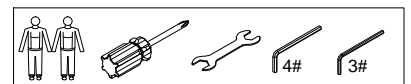
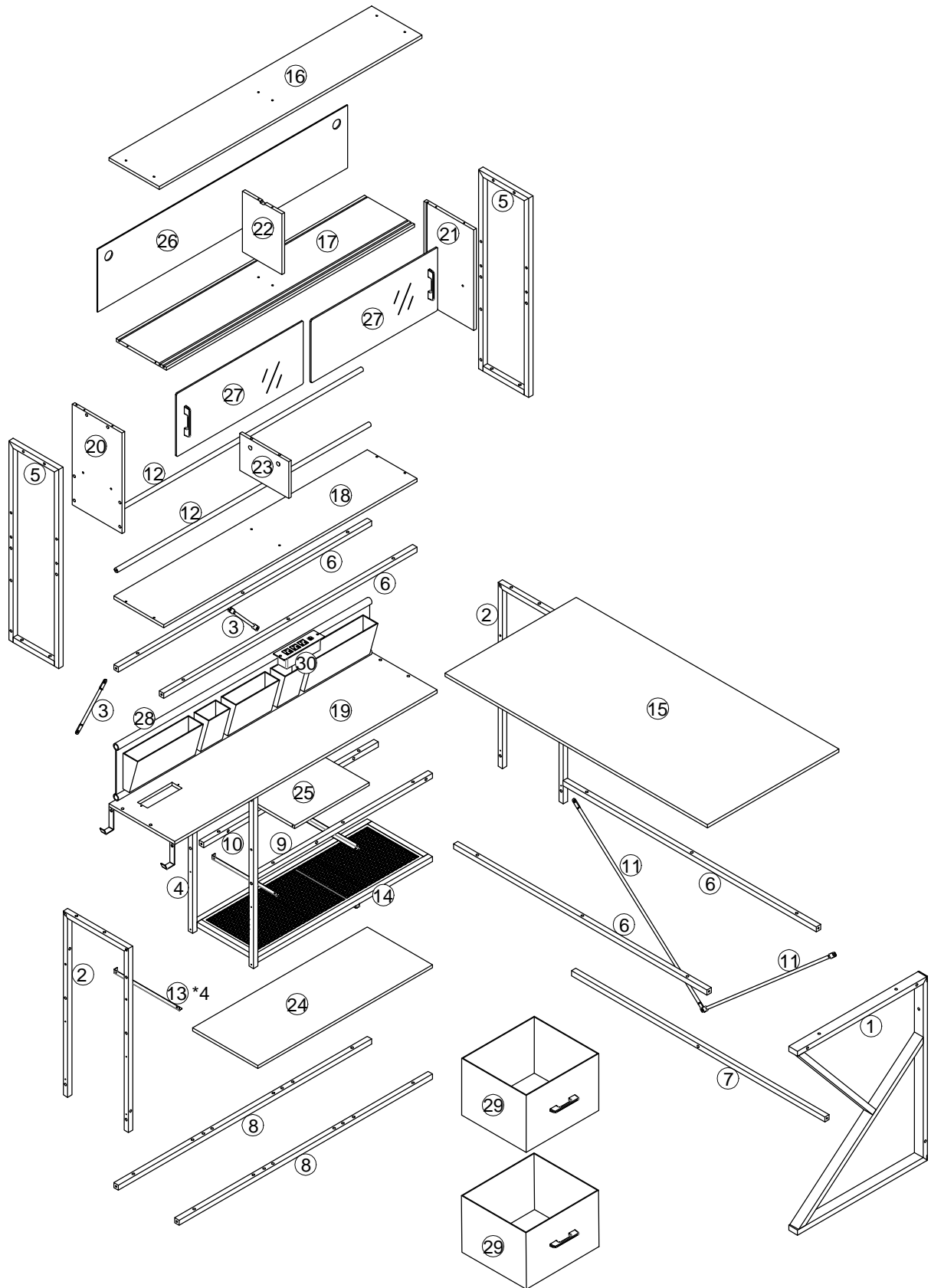


Installation Option II



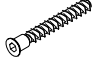
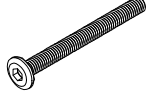
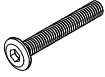









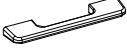
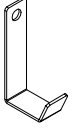

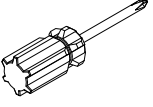

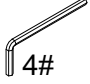

DJ503917

Version :2.0

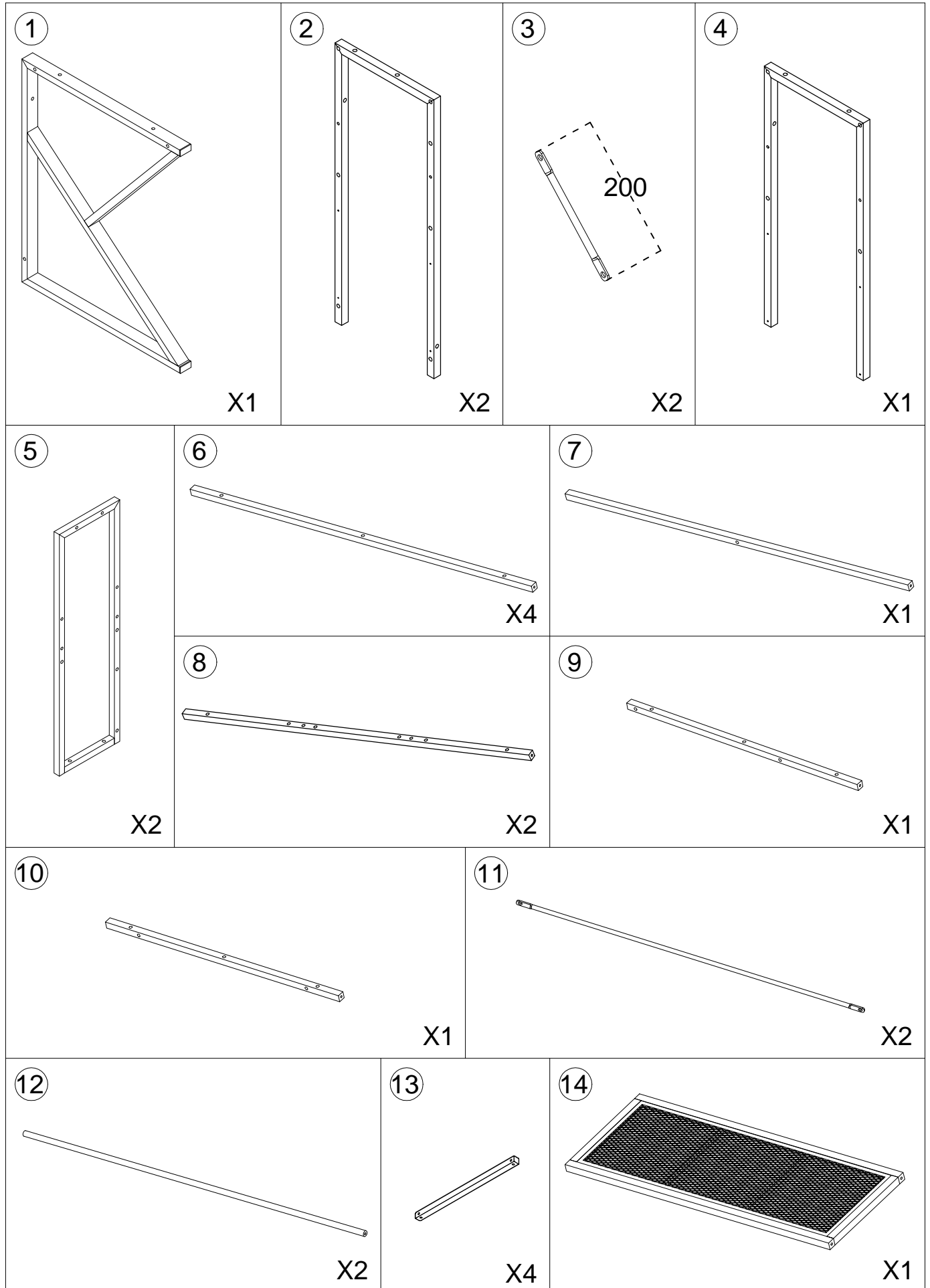
# ASSEMBLY INSTRUCTION



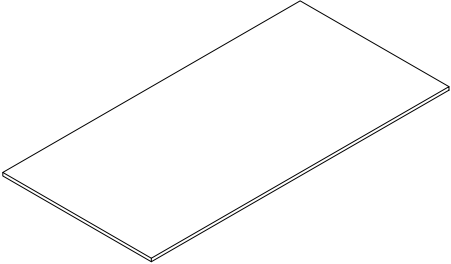
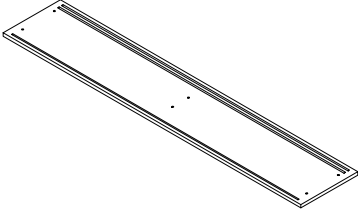
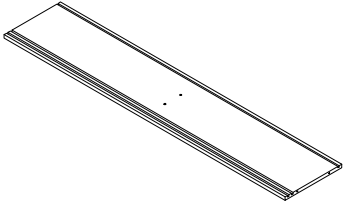
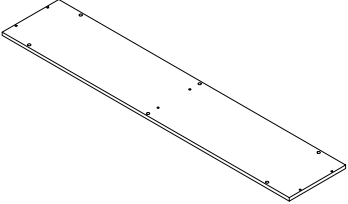
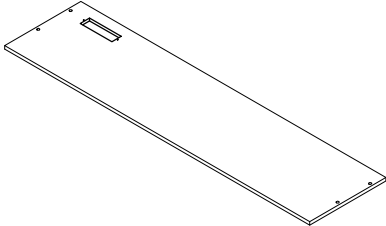
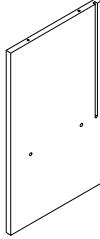
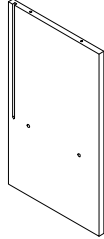
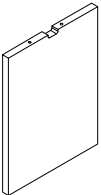
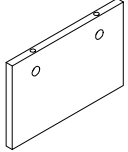
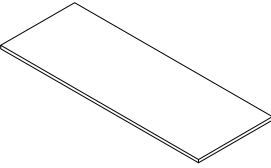
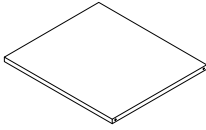
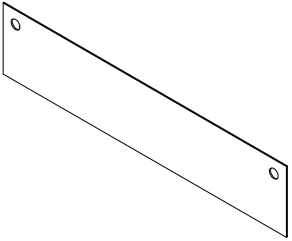
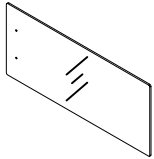
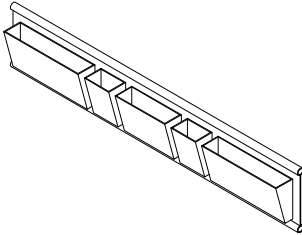
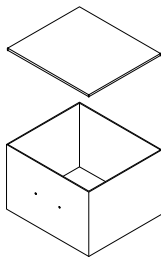
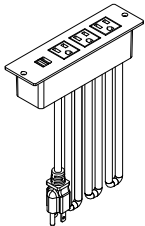

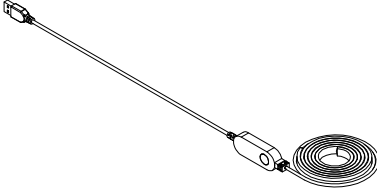
# ASSEMBLY INSTRUCTION

<p><b>A</b> ST6*40mm</p>  <p>X2</p>	<p><b>B</b> Ø15*9.5mm</p>  <p>X2</p>	<p><b>C</b> M5*40mm</p>  <p>X22+2</p>	<p><b>D</b> M6*60mm</p>  <p>X7</p>
<p><b>E</b> M6*40mm</p>  <p>X21+2</p>	<p><b>F</b> M6*30mm</p>  <p>X13+1</p>	<p><b>G</b> M6*25mm</p>  <p>X40+2</p>	<p><b>H</b> M4*10mm</p>  <p>X8</p>
<p><b>I</b> Ø4</p>  <p>X8</p>	<p><b>J</b> M4*8mm</p>  <p>X8+1</p>	<p><b>K</b> M6*12</p>  <p>X13+2</p>	<p><b>L</b> M8</p>  <p>X6</p>
<p><b>M</b></p>  <p>X4</p>	<p><b>N</b> M3.5*14mm</p>  <p>X2+2</p>	<p><b>O</b> M4*96mm</p>  <p>X4</p>	<p><b>P</b></p>  <p>X2</p>
<p>Ø21 x 0.3mm</p>  <p>X6</p>	 <p>X1</p>	 <p>X1</p>	 <p>4#</p> <p>X1</p>
 <p>3#</p> <p>X1</p>			

# ASSEMBLY INSTRUCTION

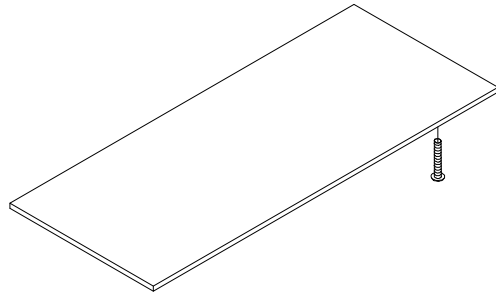


# ASSEMBLY INSTRUCTION

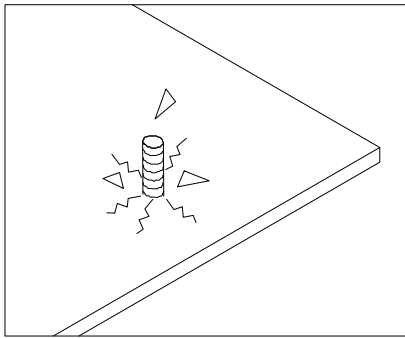
<p>15</p>  <p>X1</p>	<p>16</p>  <p>X1</p>	<p>17</p>  <p>X1</p>	
<p>18</p>  <p>X1</p>	<p>19</p>  <p>X1</p>	<p>20</p>  <p>X1</p>	<p>21</p>  <p>X1</p>
<p>22</p>  <p>X1</p>	<p>23</p>  <p>X1</p>	<p>24</p>  <p>X1</p>	<p>25</p>  <p>X1</p>
<p>26</p>  <p>X1</p>	<p>27</p>  <p>X2</p>	<p>28</p>  <p>X1</p>	<p>29</p>  <p>X2</p>
<p>30</p>  <p>X1</p>	<p>31</p>  <p>X1</p>	<p>32</p>  <p>X1</p> <p>1.1M</p>	

# ASSEMBLY INSTRUCTION

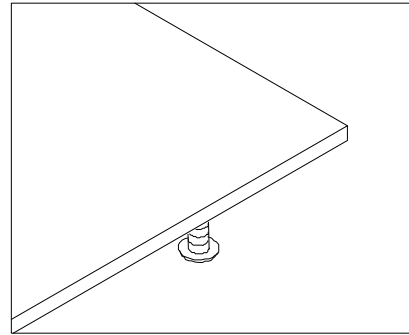
## 1. Matters needing attention



Be sure to use the proper screws to avoid damaging the parts

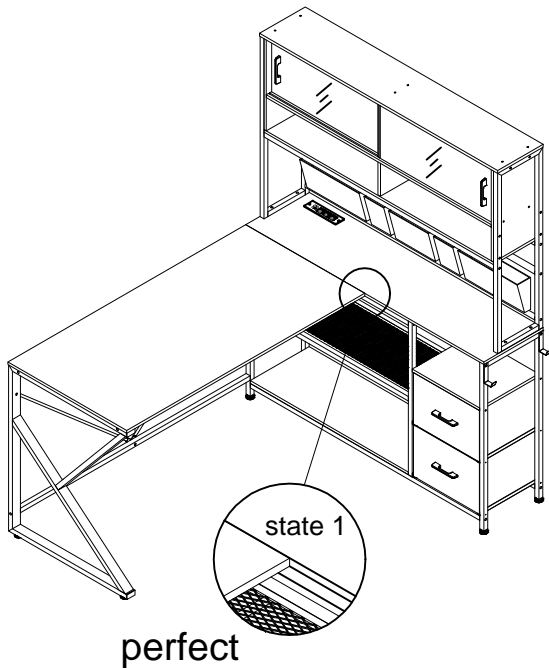


Wrong screws can cause the plank to crack

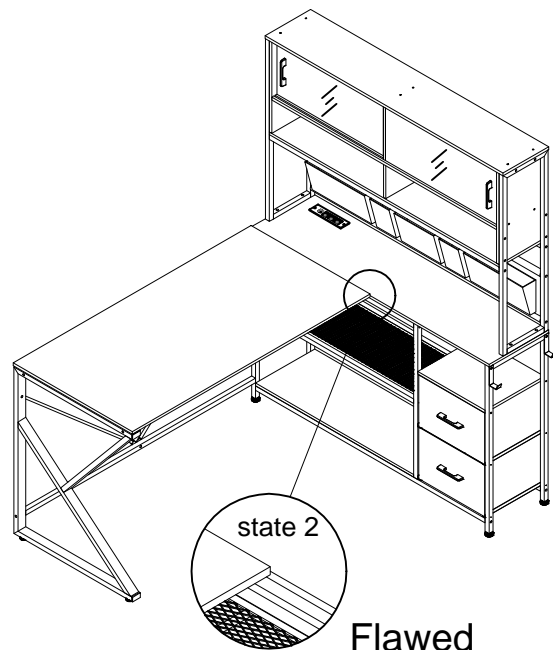


The right screw is the right size

## 2. Matters needing attention



perfect



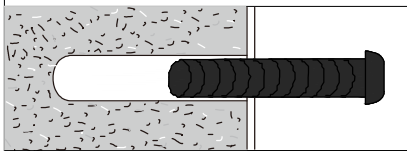
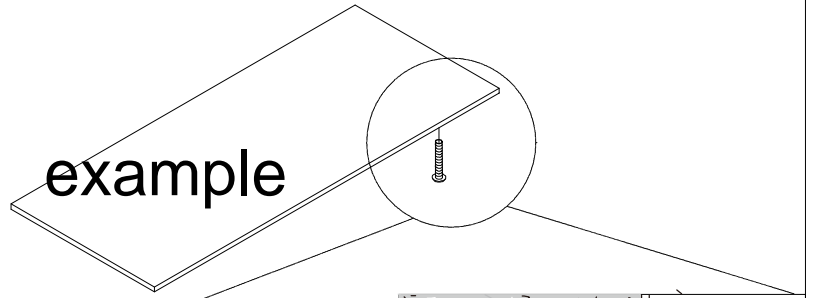
Flawed

If you encounter "state 2" during the installation process, please loosen the corresponding screws of each part in time, adjust slowly, and then slowly tighten all the screws after the adjustment is completed.

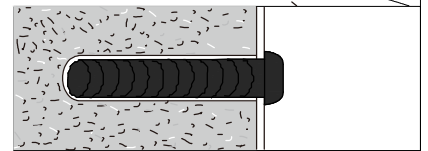
# ASSEMBLY INSTRUCTION

## Matters needing attention

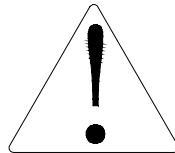
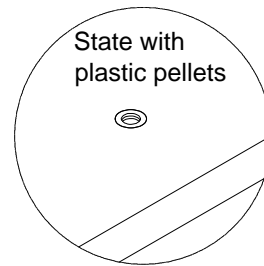
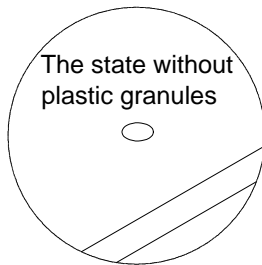
- (1) When installing the screws in the installation step, the screws do not need to be tightened. After this installation step is confirmed and the holes are aligned, then tighten all the screws.
- (2) If the screws are tightened during the installation process, it will cause problems such as misalignment of the screw holes and misalignment of the board in subsequent installations.



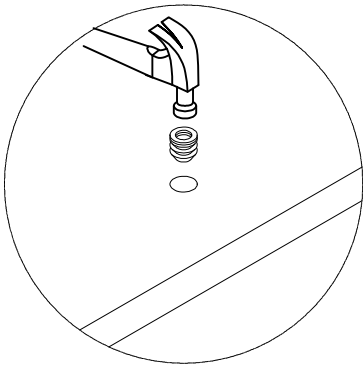
Do not tighten the screws



Screw down



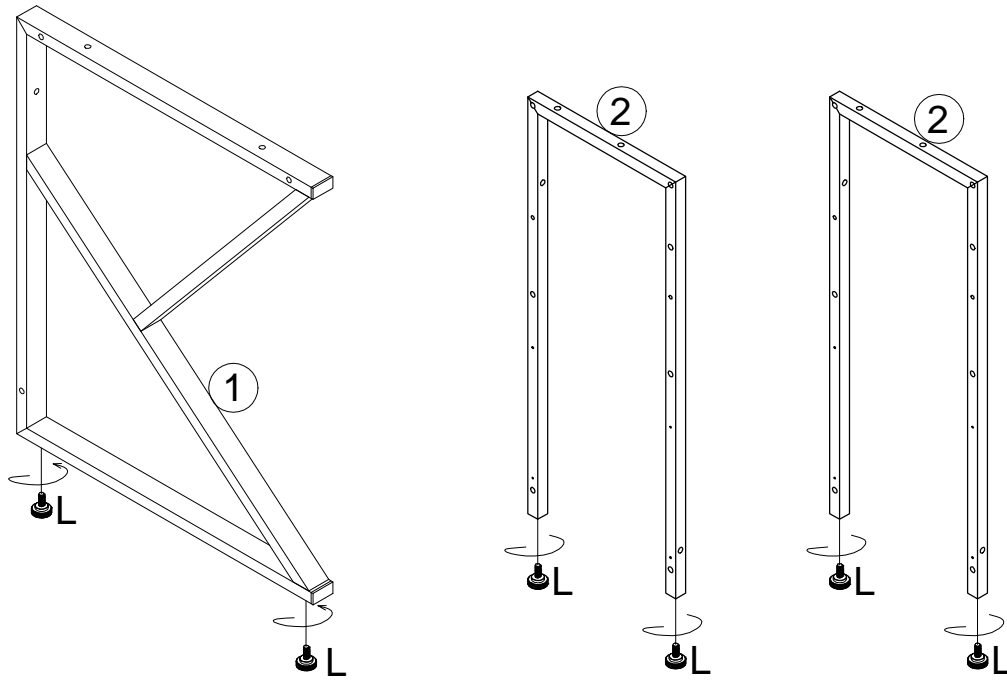
Note that if you find that there are no plastic granules on the wooden block, the table cannot be assembled, please don't worry, please use the spare plastic granules in the screw bag



Note, please use a tool to carefully align the plastic pellets with the holes and then knock them down

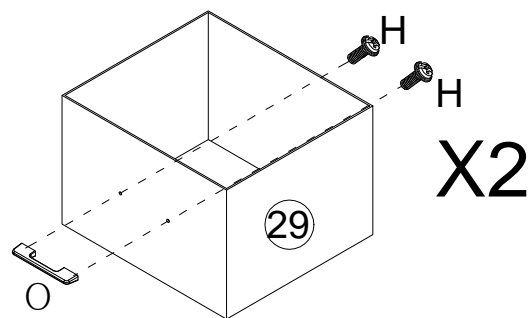
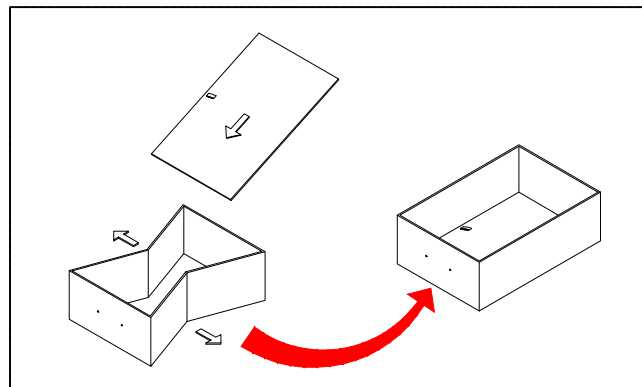
# ASSEMBLY INSTRUCTION

## STEP 1



L	M8
	X6

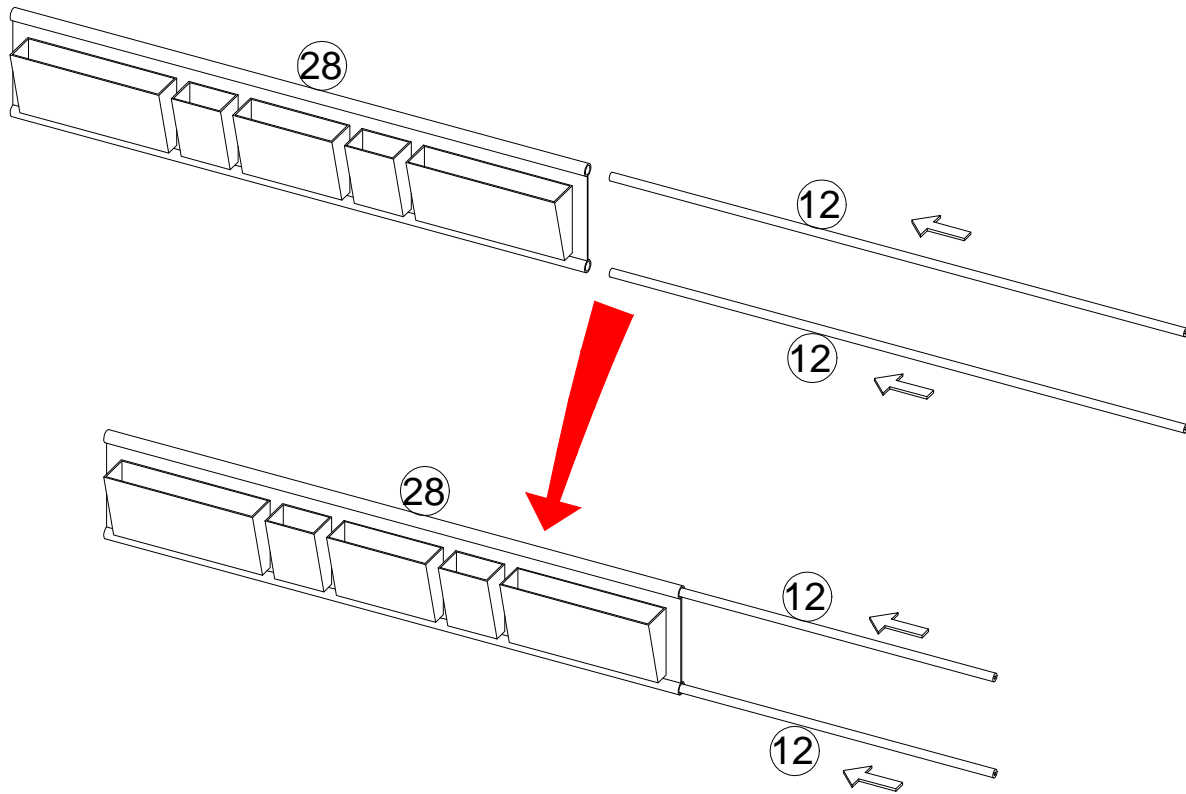
## STEP 2



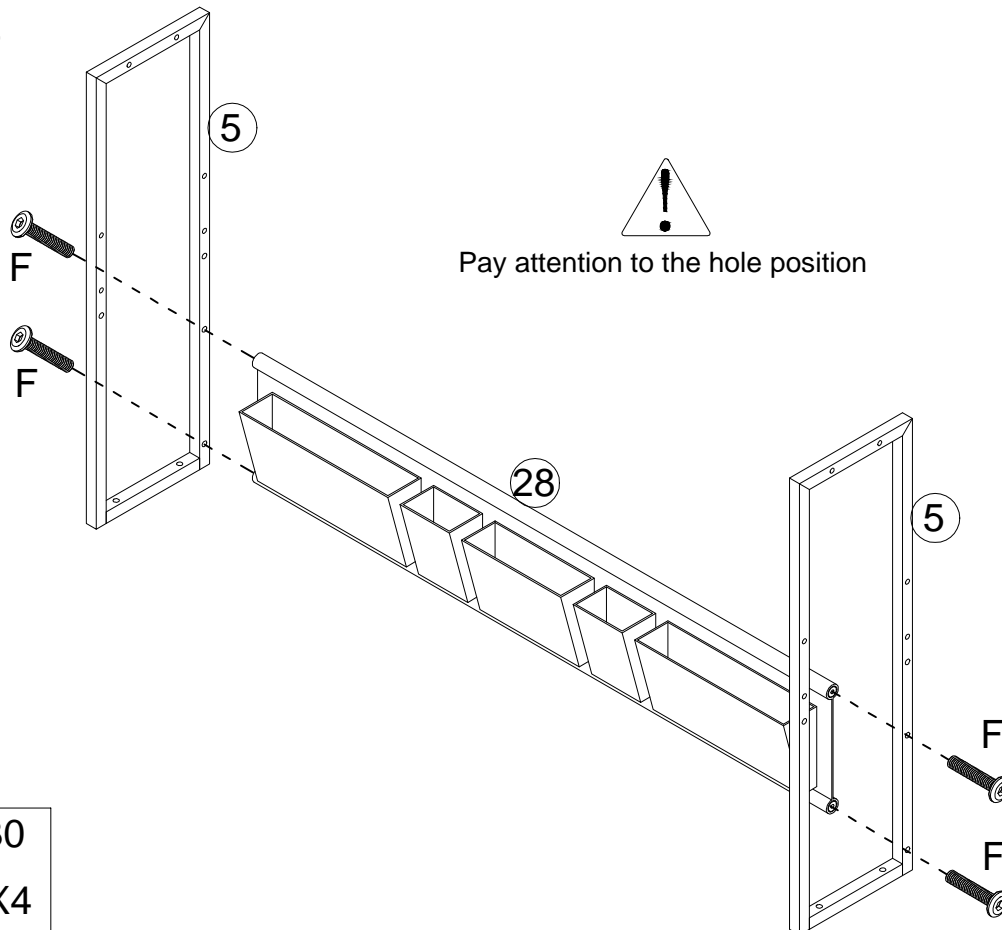
H	M4*10
	X4
O	M4*96
	X2

# ASSEMBLY INSTRUCTION

## STEP 3

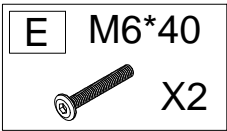
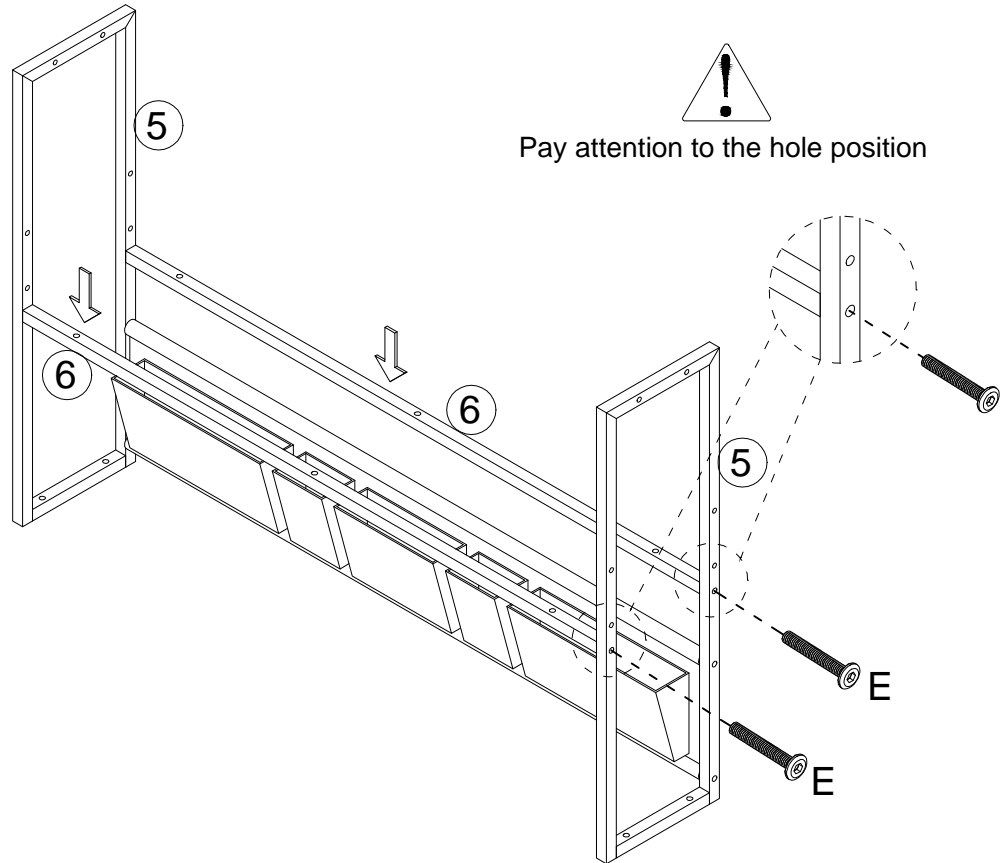


## STEP 4

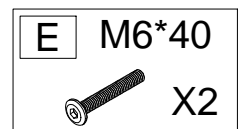
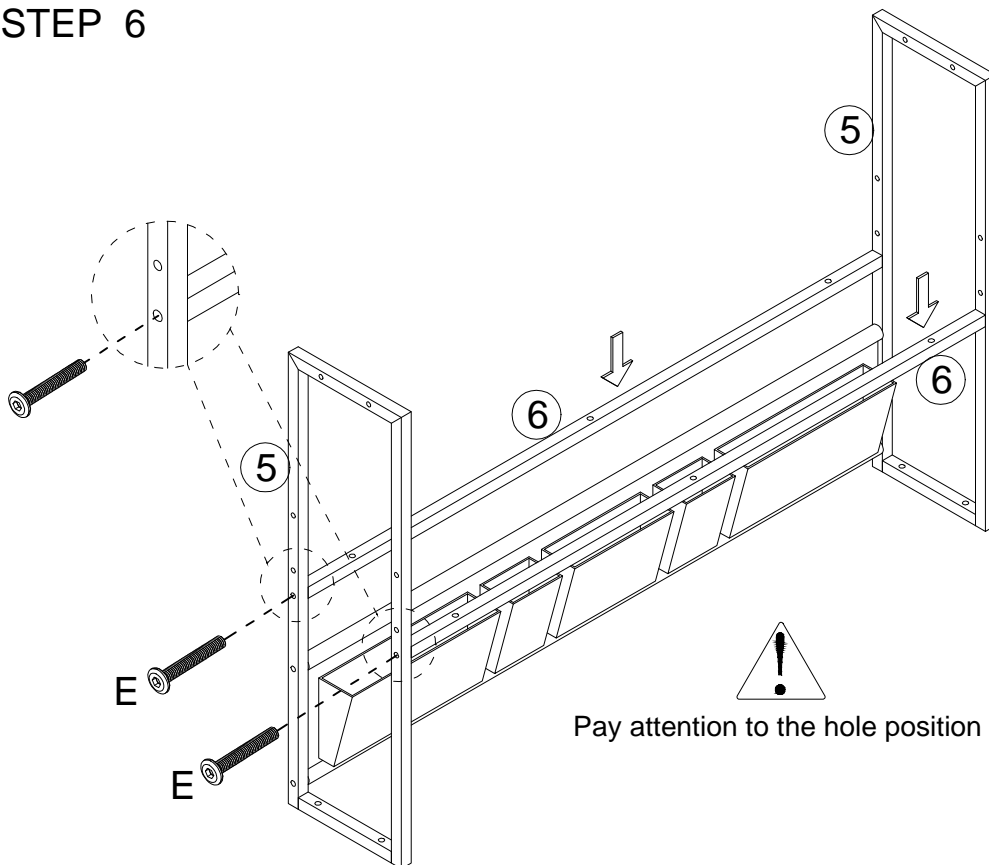


# ASSEMBLY INSTRUCTION

## STEP 5

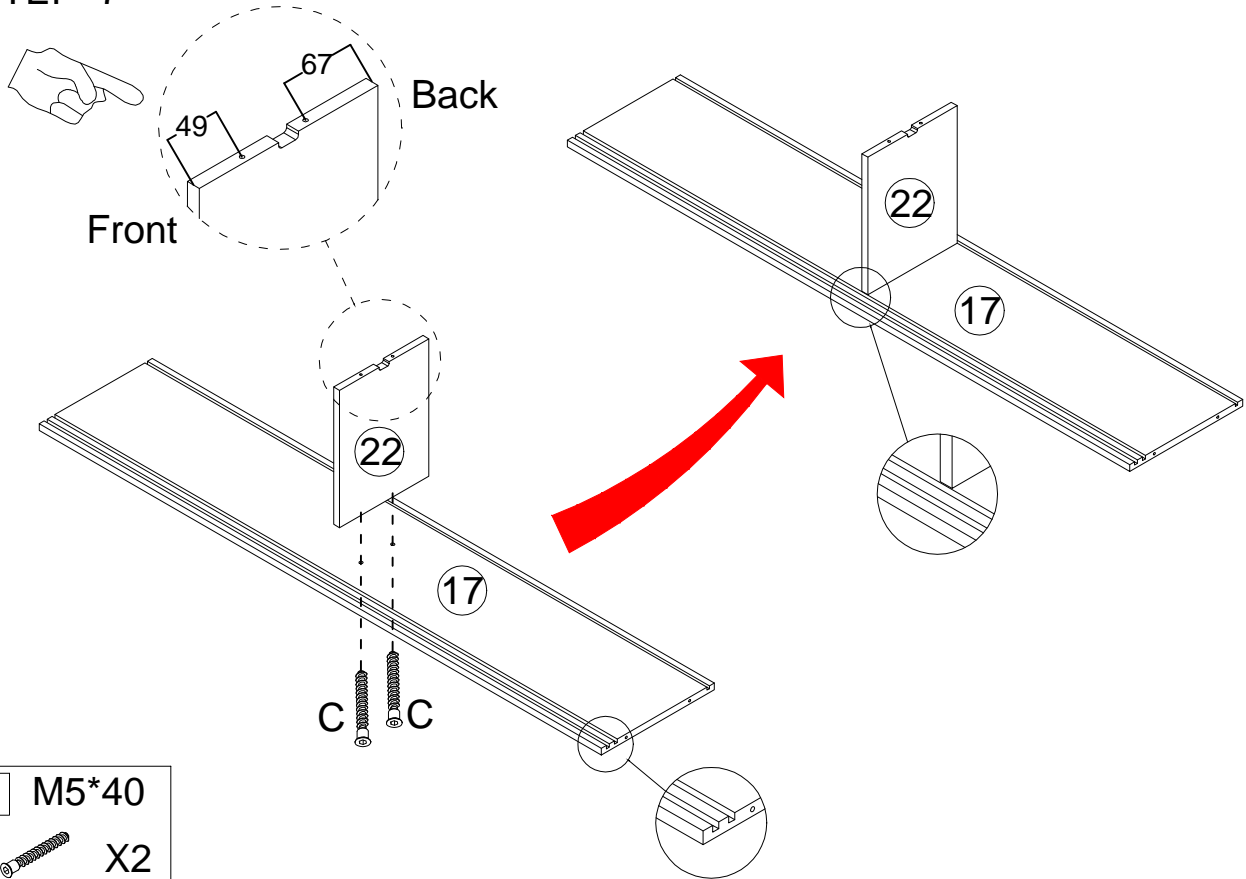


## STEP 6

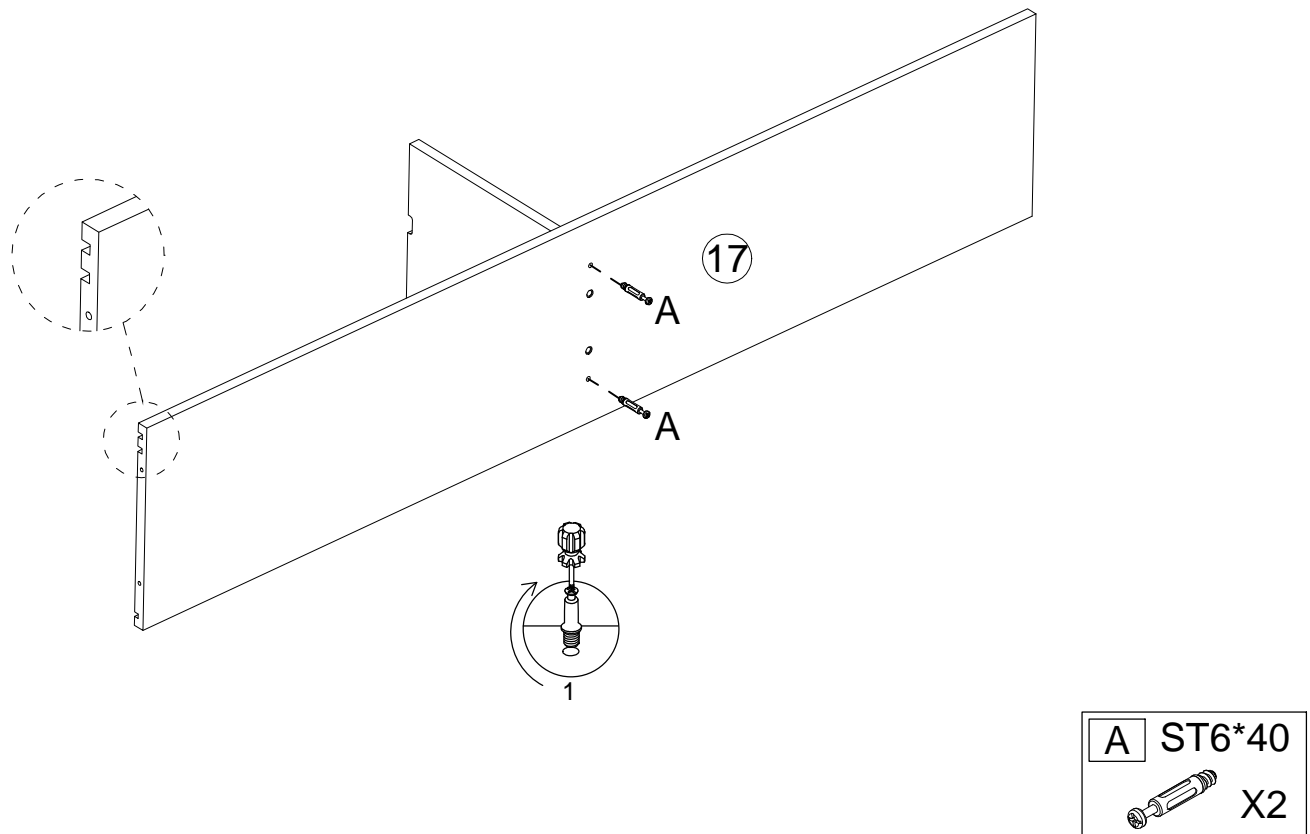


# ASSEMBLY INSTRUCTION

## STEP 7

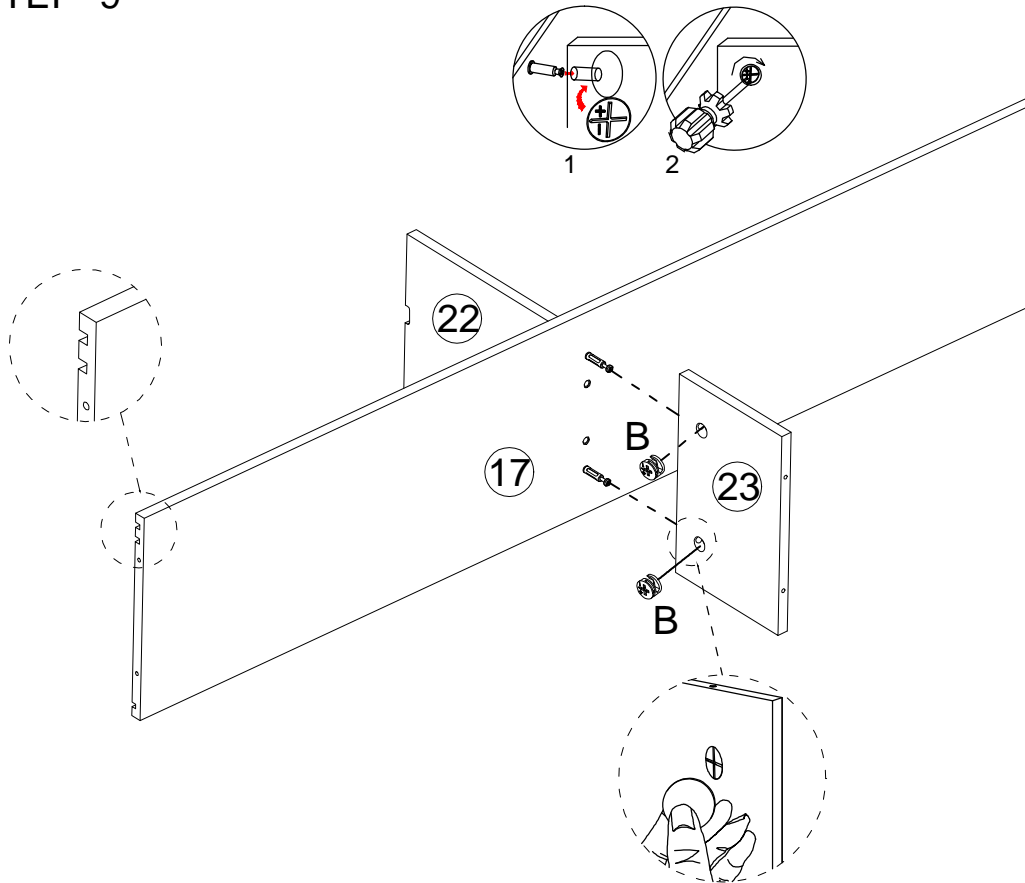




## STEP 8




# ASSEMBLY INSTRUCTION

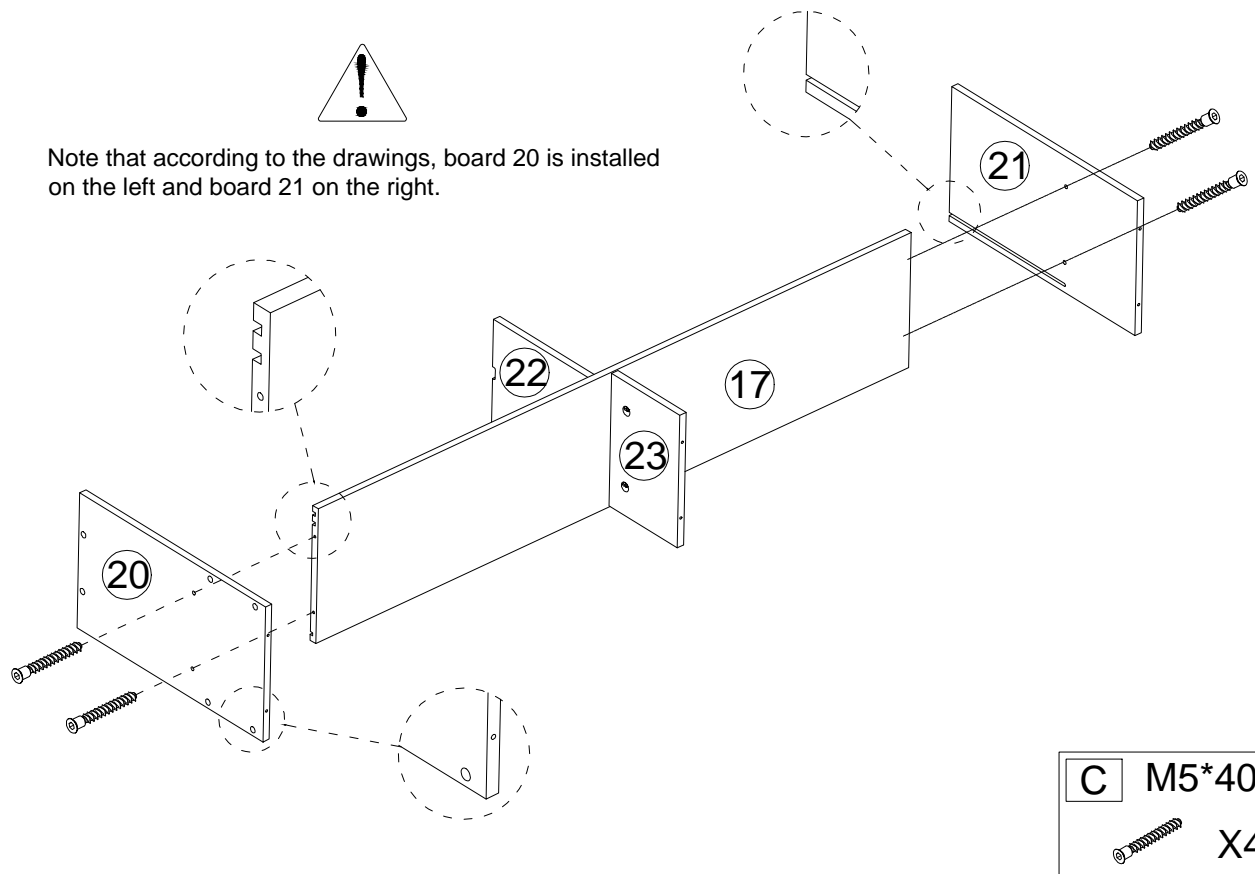
## STEP 9




B	Ø15*9.5
	X2
	Ø21 x 0.3
	X2

## STEP 10

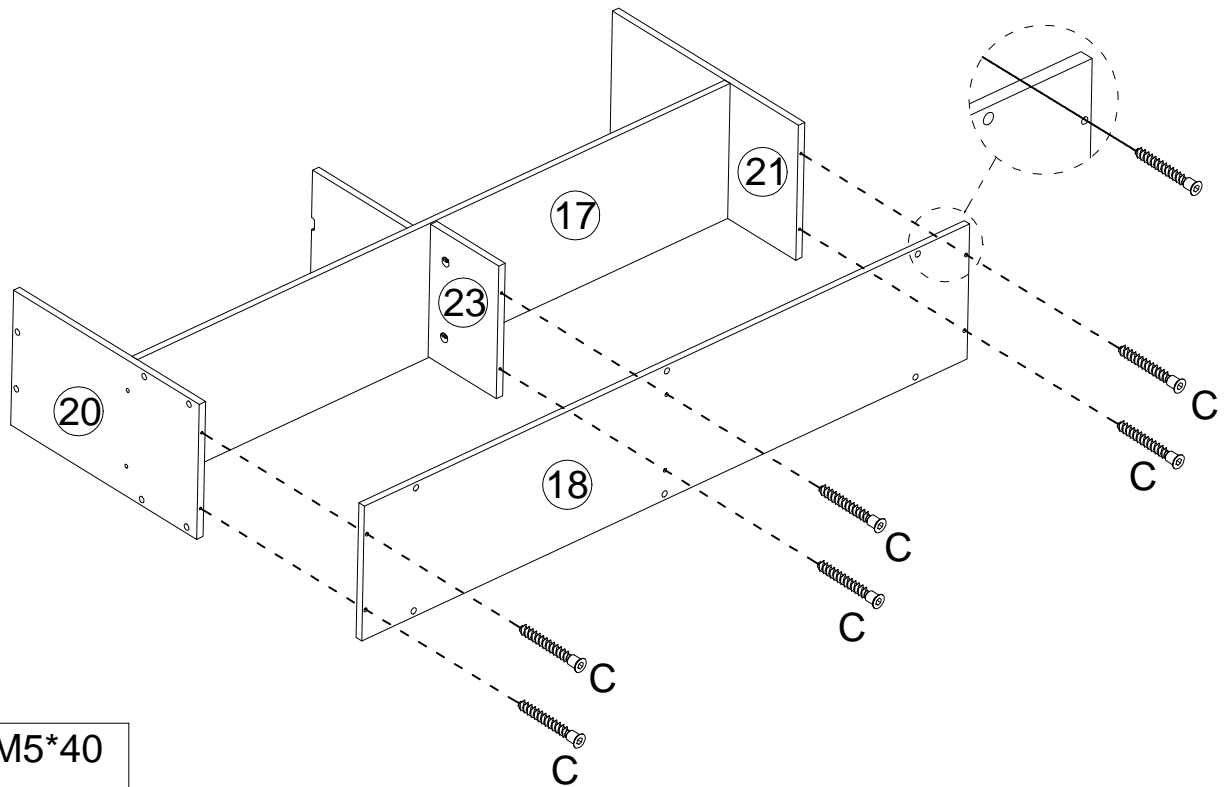
 Note that according to the drawings, board 20 is installed on the left and board 21 on the right.



C	M5*40
	X4

# ASSEMBLY INSTRUCTION

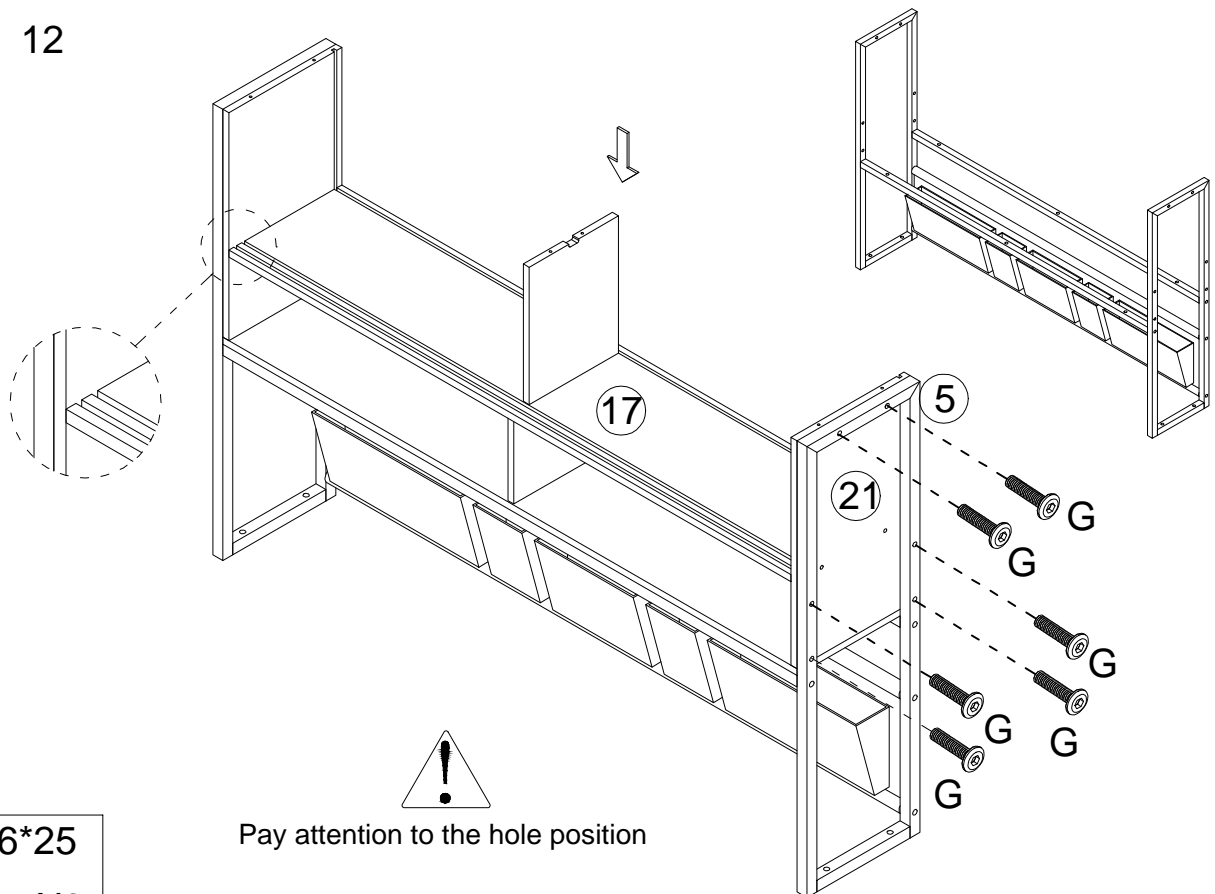
## STEP 11



C M5\*40

X6

## STEP 12



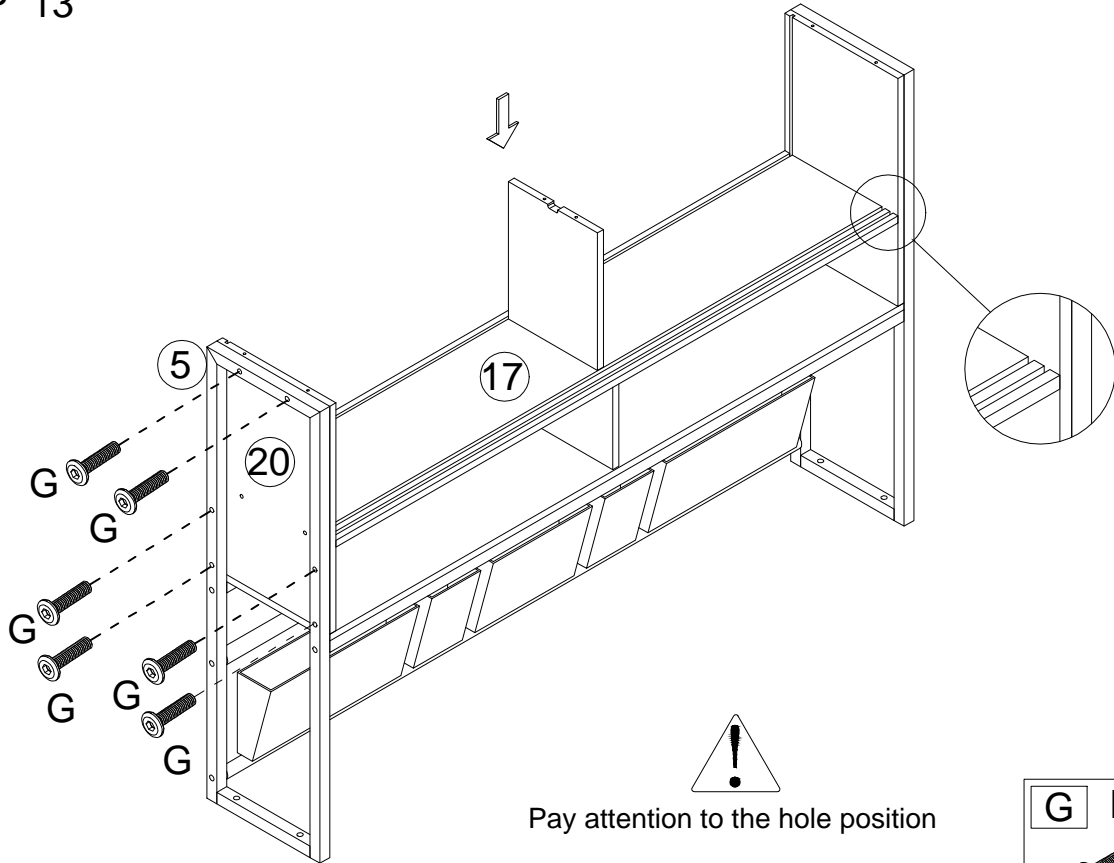
G M6\*25

X6

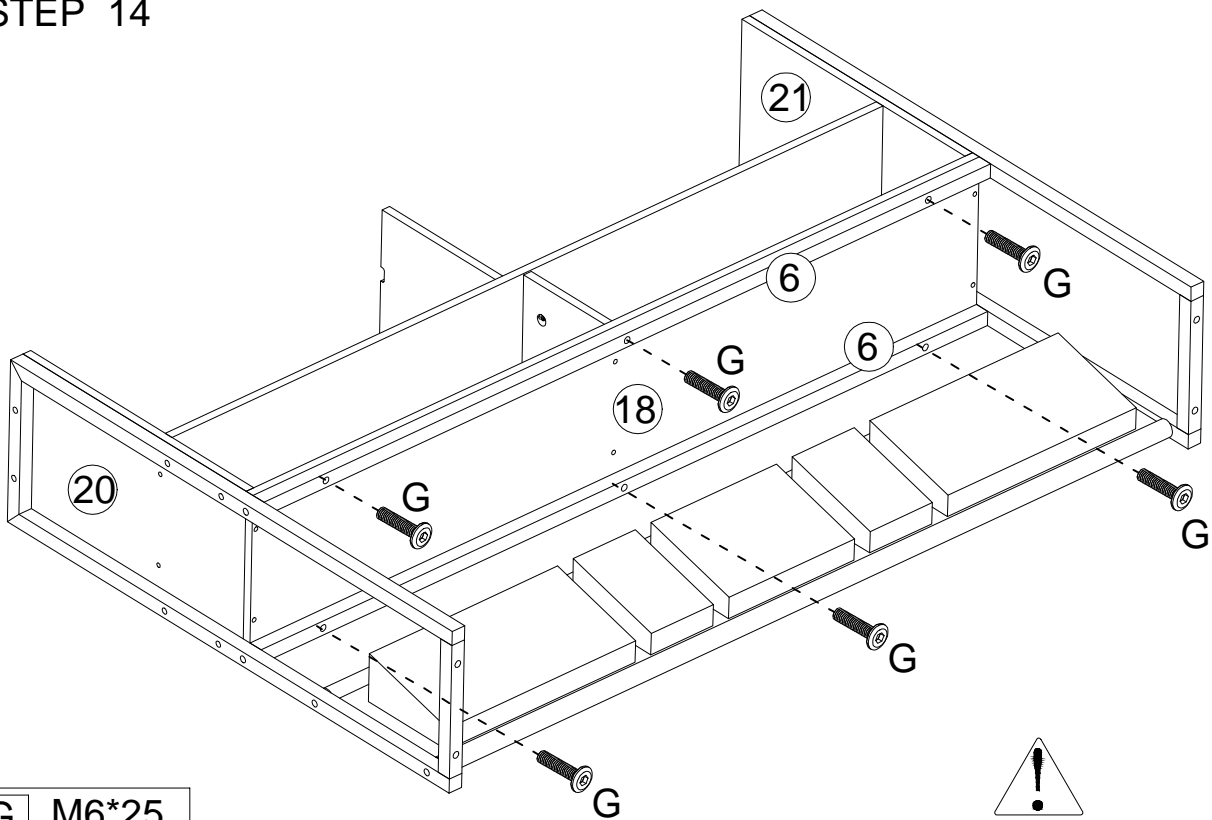
Pay attention to the hole position

# ASSEMBLY INSTRUCTION

## STEP 13

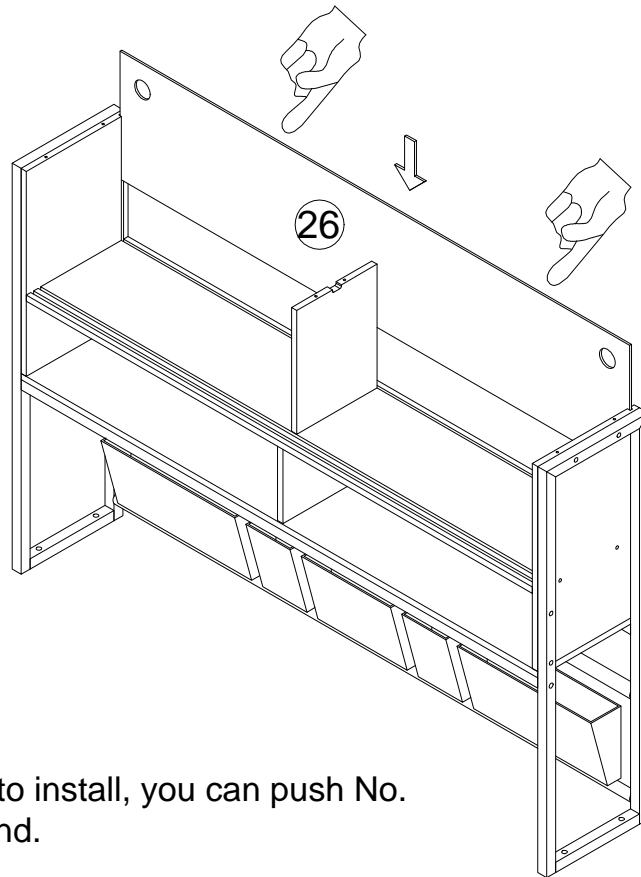


## STEP 14



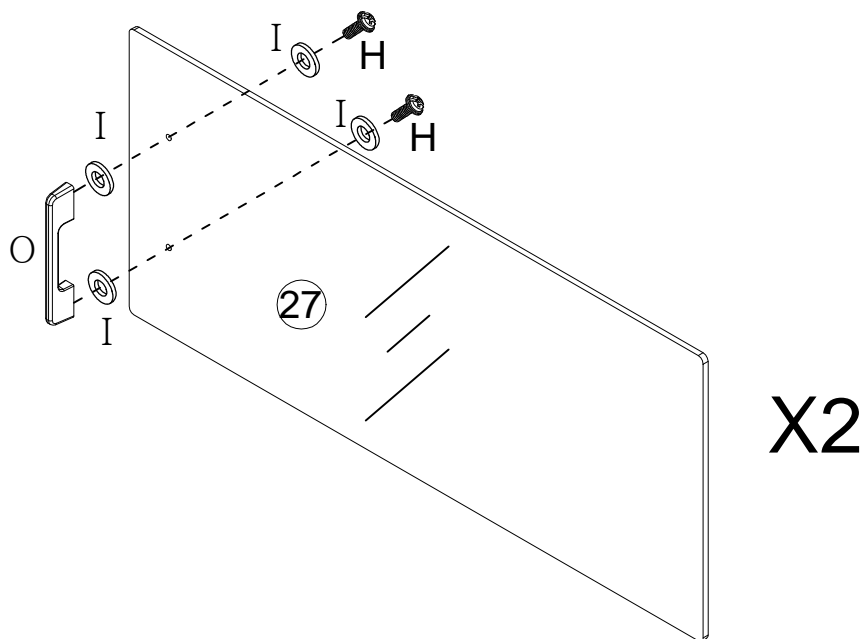
# ASSEMBLY INSTRUCTION




## STEP 15



Note: If No. 26 is not easy to install, you can push No. 26 plate into the slot by hand.

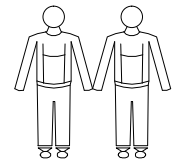
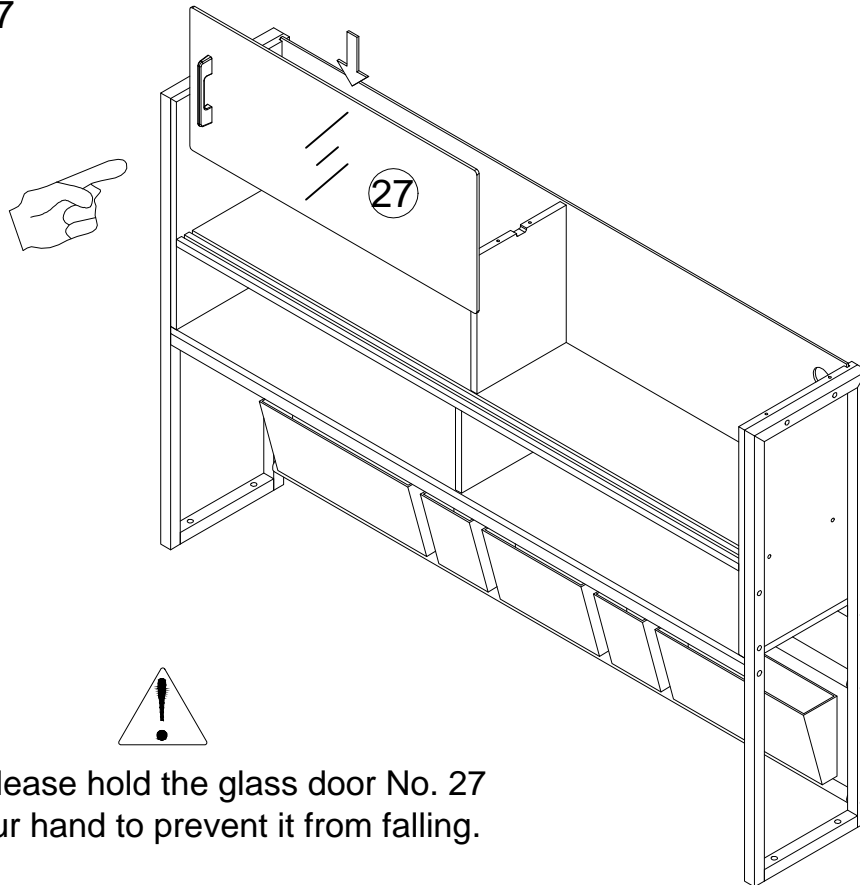
## STEP 16



I	Ø4
	X8
H	M4*10
	X4
O	M4*96
	X2

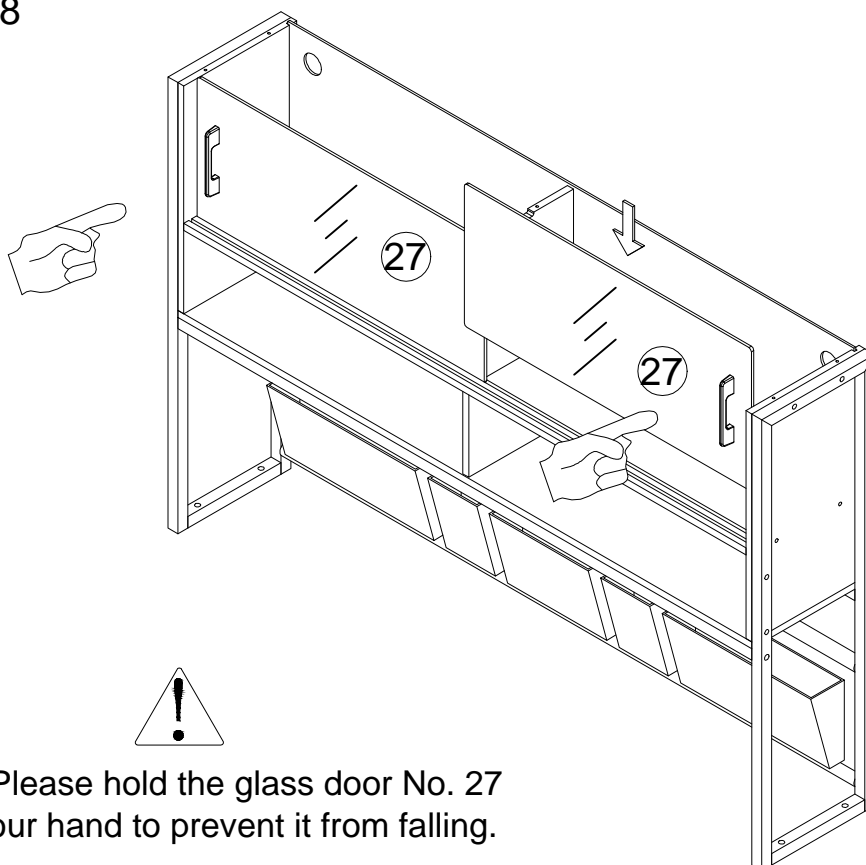
# ASSEMBLY INSTRUCTION

## STEP 17



Note: Please hold the glass door No. 27 with your hand to prevent it from falling.

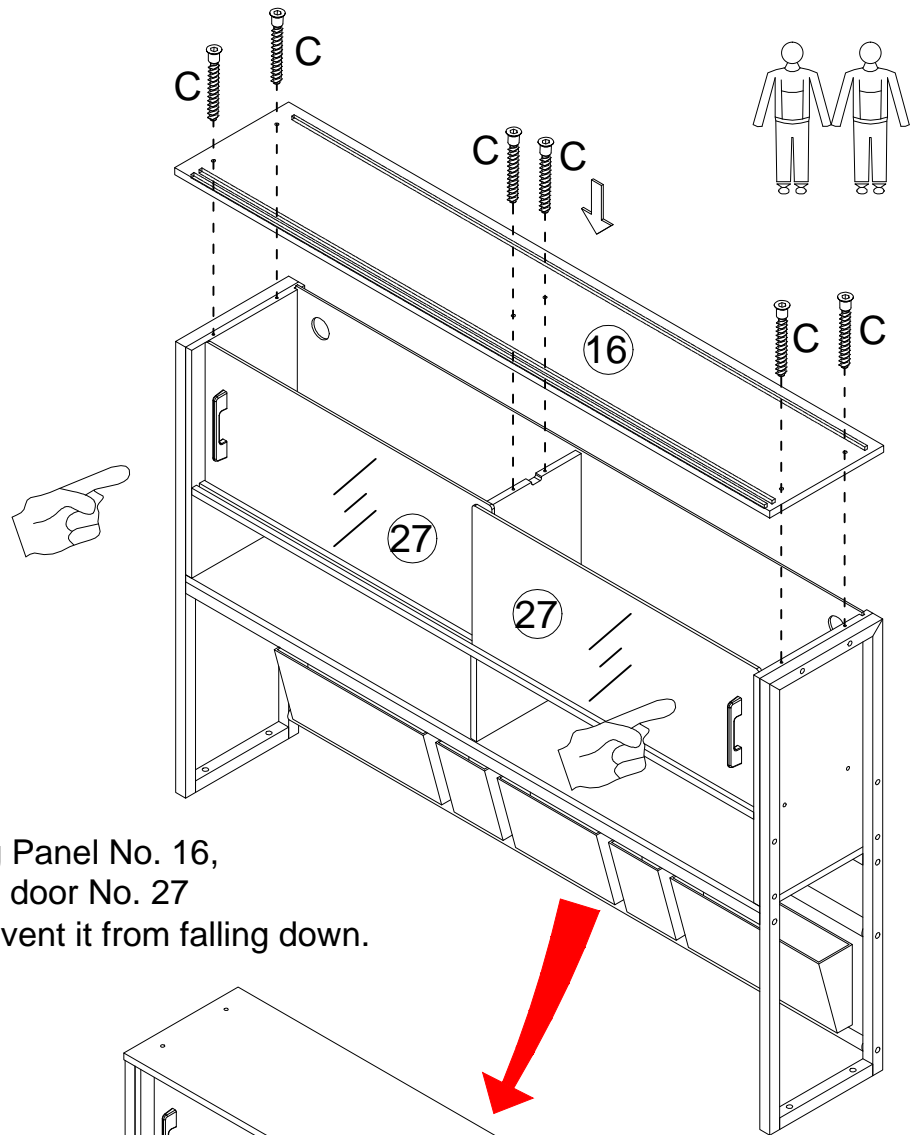
## STEP 18



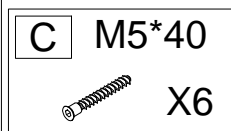
Note: Please hold the glass door No. 27 with your hand to prevent it from falling.

# ASSEMBLY INSTRUCTION

## STEP 19

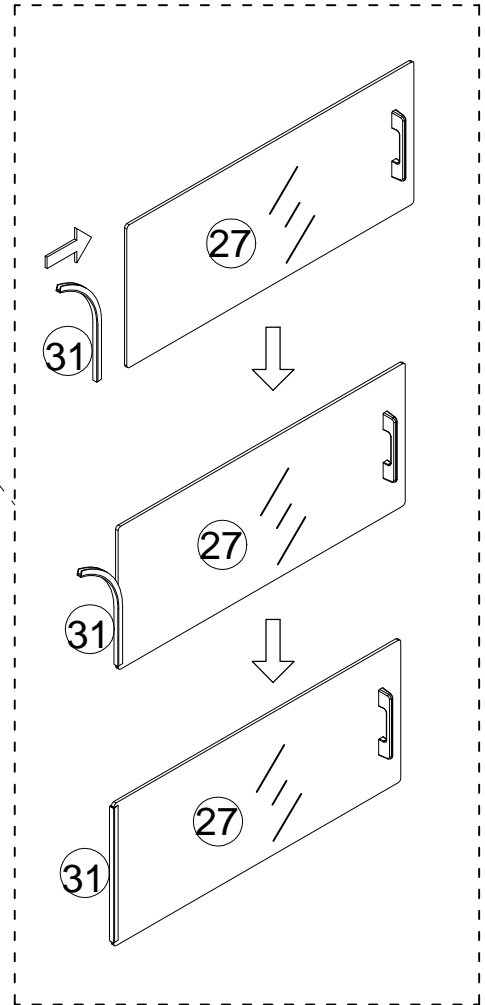
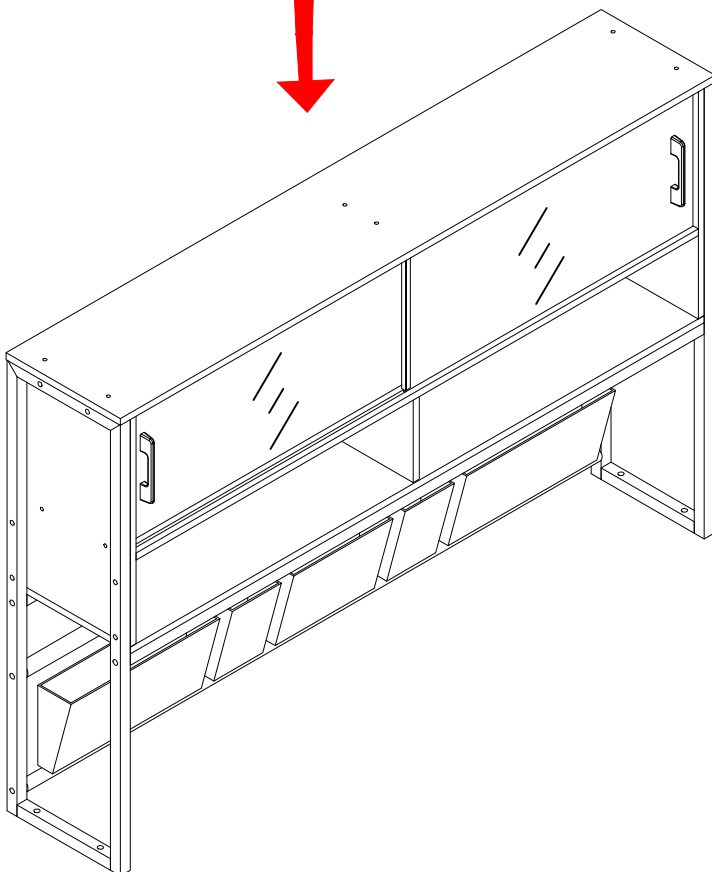
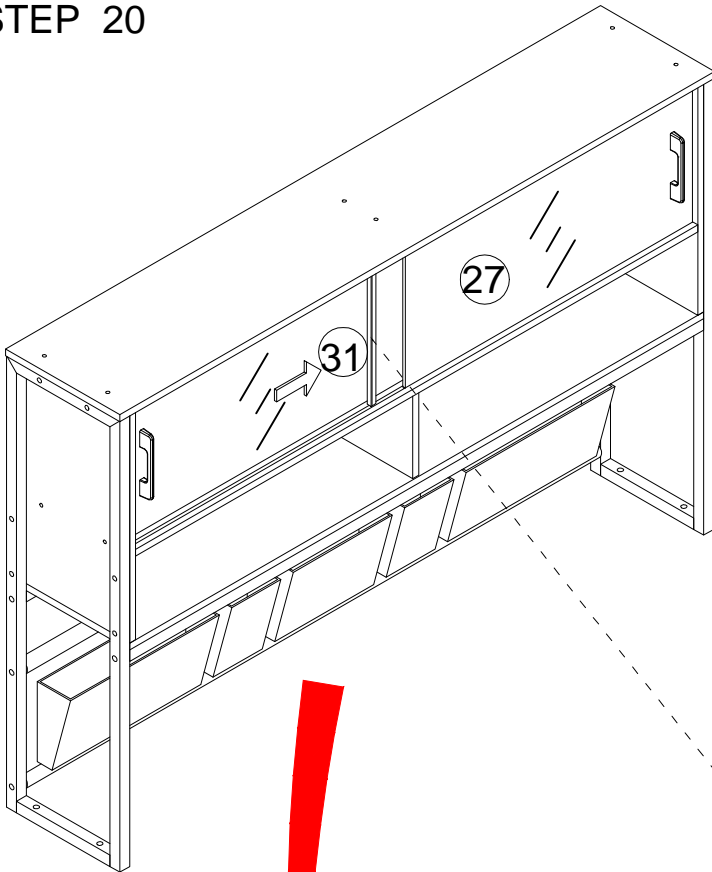


Note: When installing Panel No. 16,  
please hold the glass door No. 27  
with your hand to prevent it from falling down.



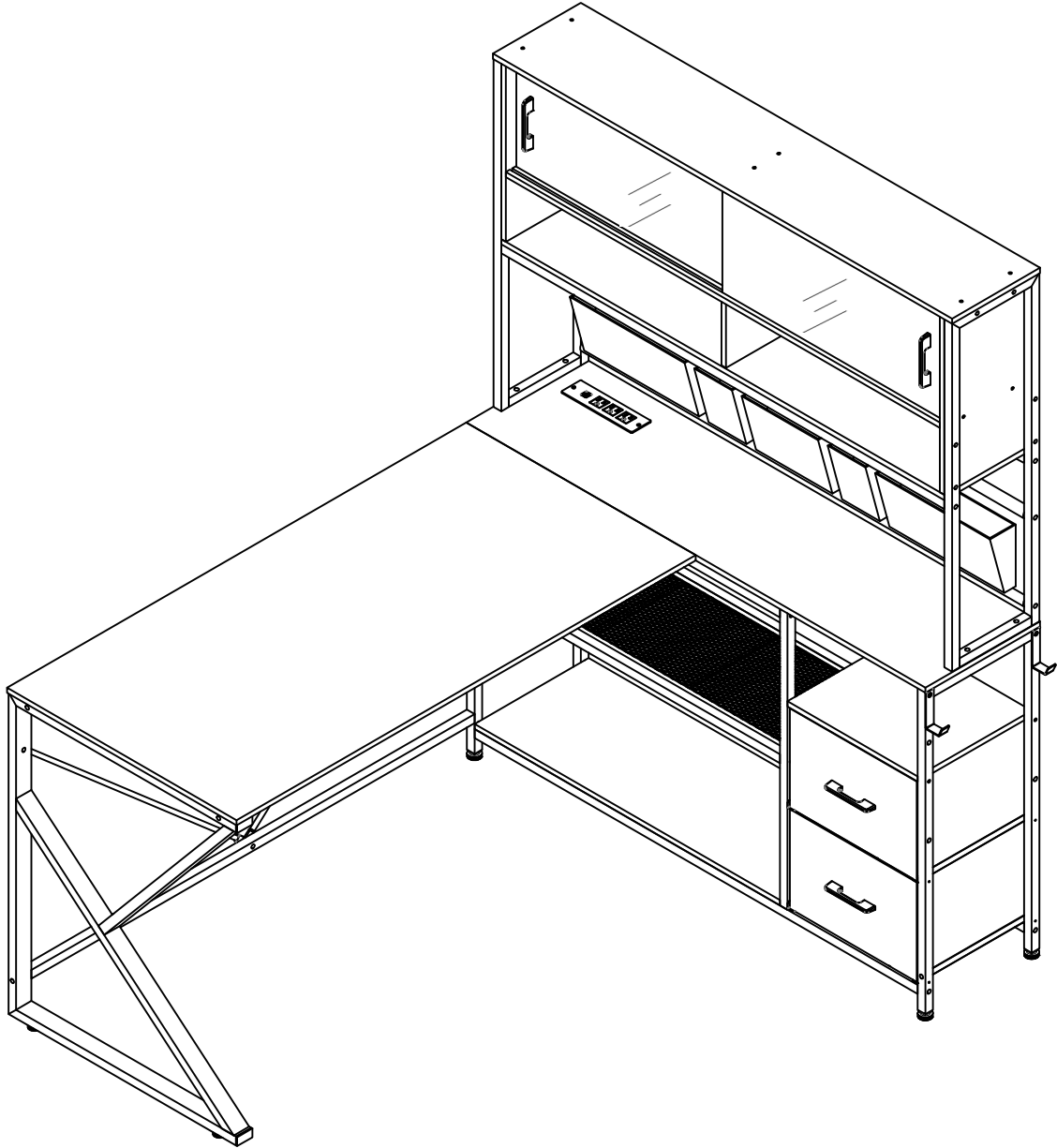
# ASSEMBLY INSTRUCTION

STEP 20



# ASSEMBLY INSTRUCTION

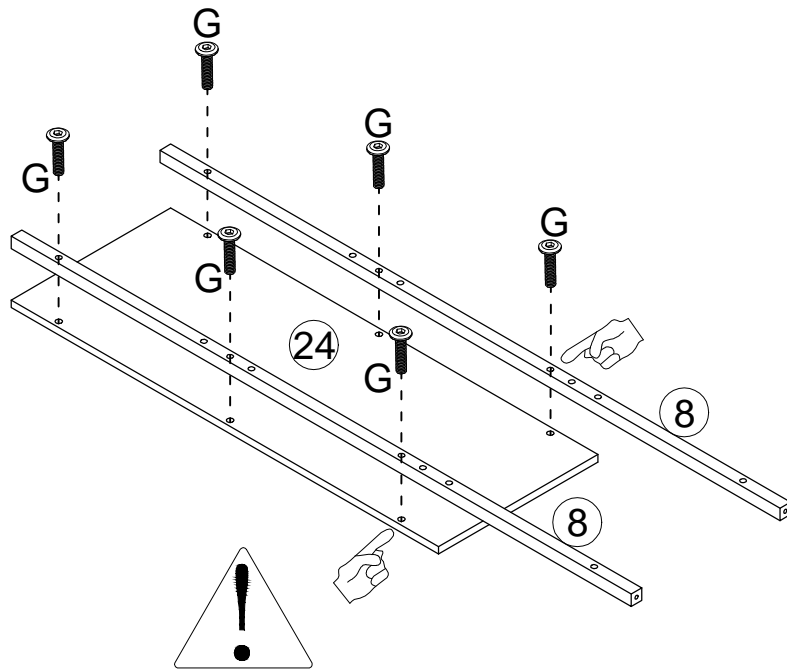
## Installation Option I



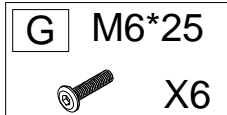
With the basic components of Step1-Step20,  
the following installation method is the second.

# ASSEMBLY INSTRUCTION

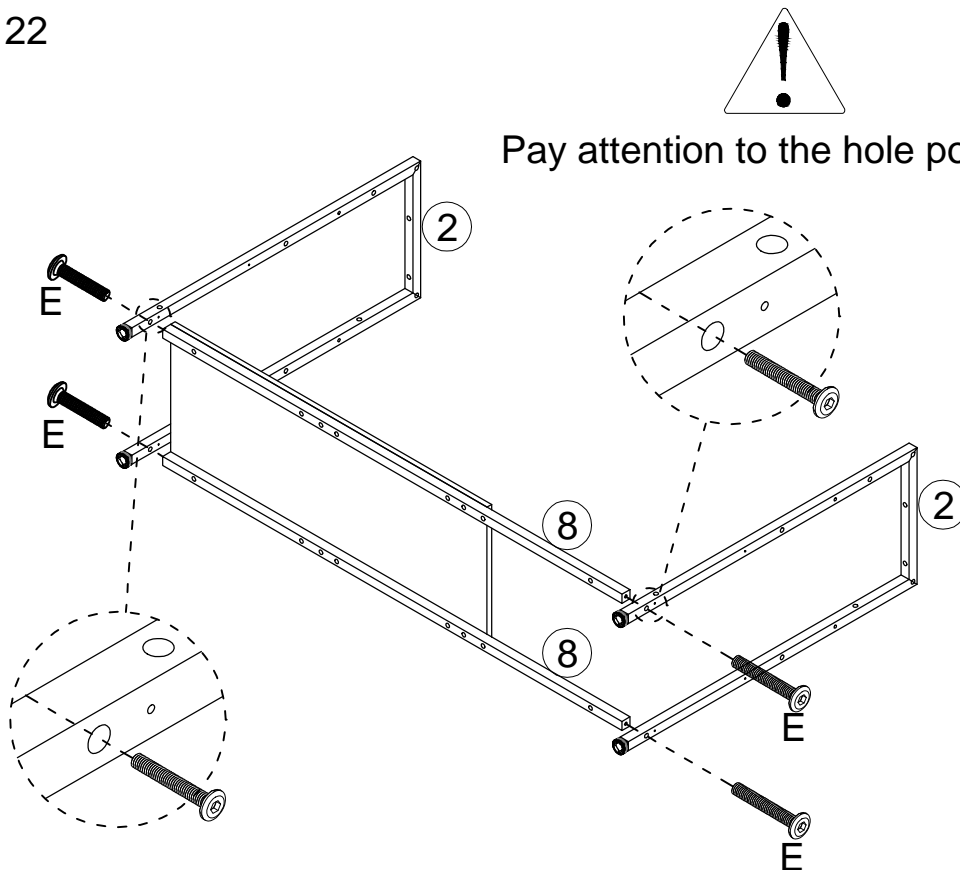
## STEP 21



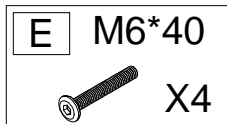
Pay attention to the hole position



## STEP 22

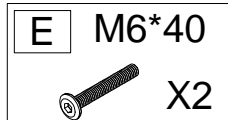
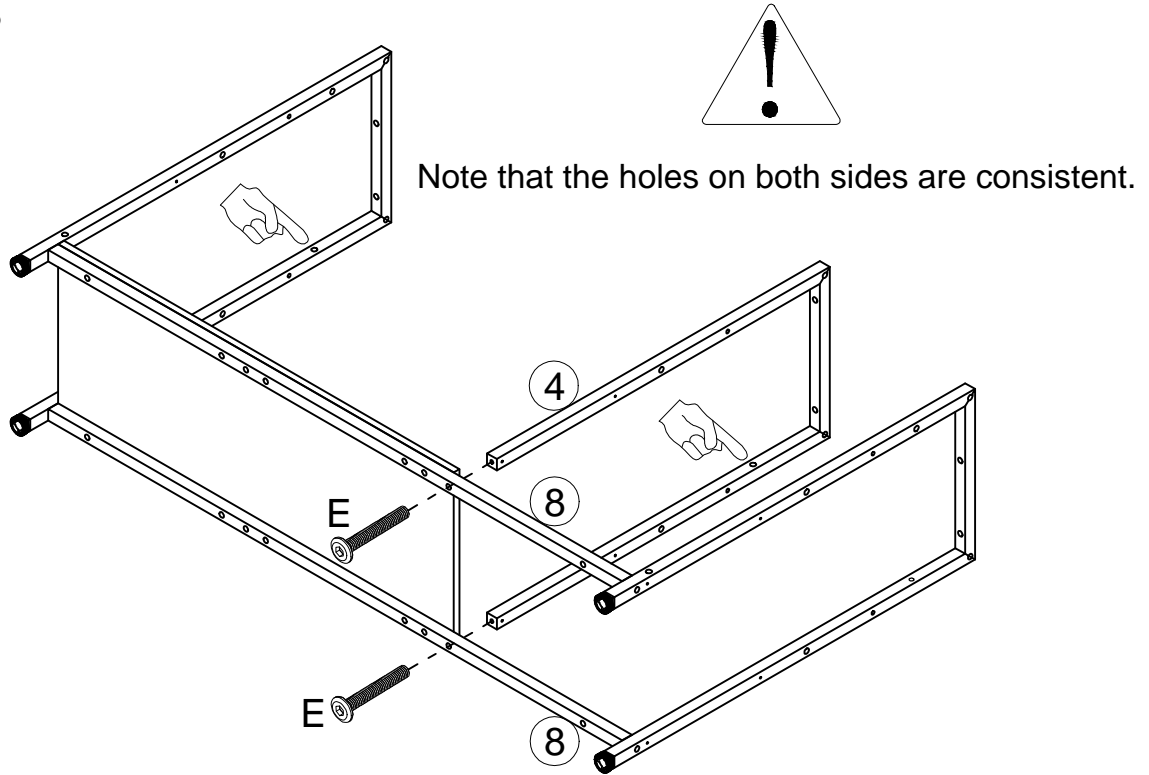


Pay attention to the hole position

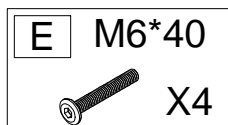
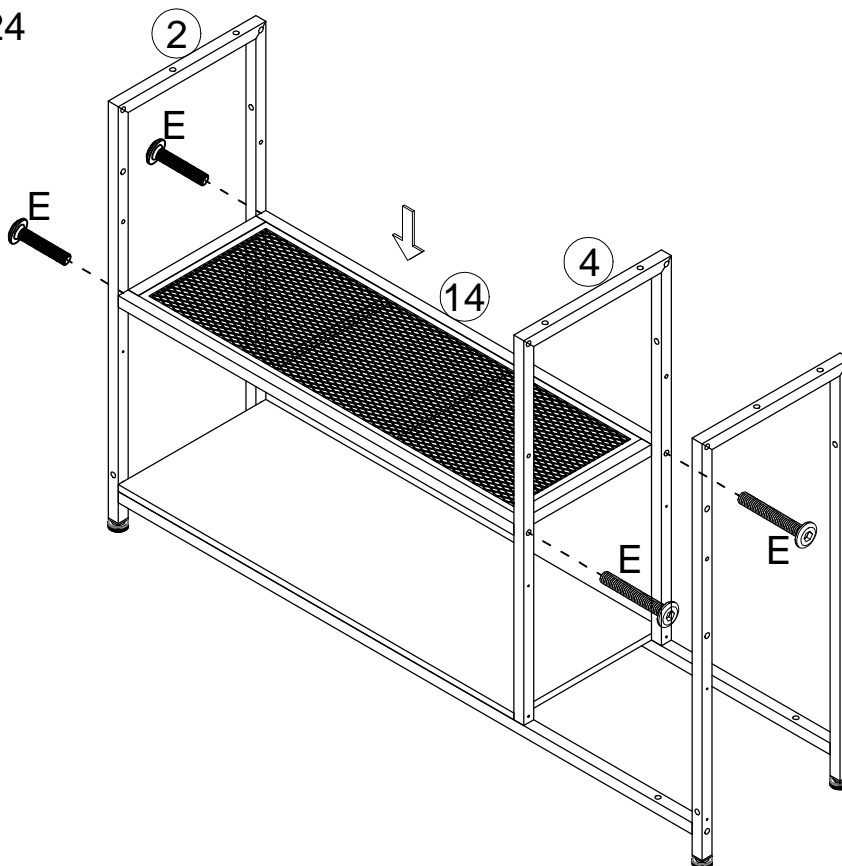


# ASSEMBLY INSTRUCTION

## STEP 23

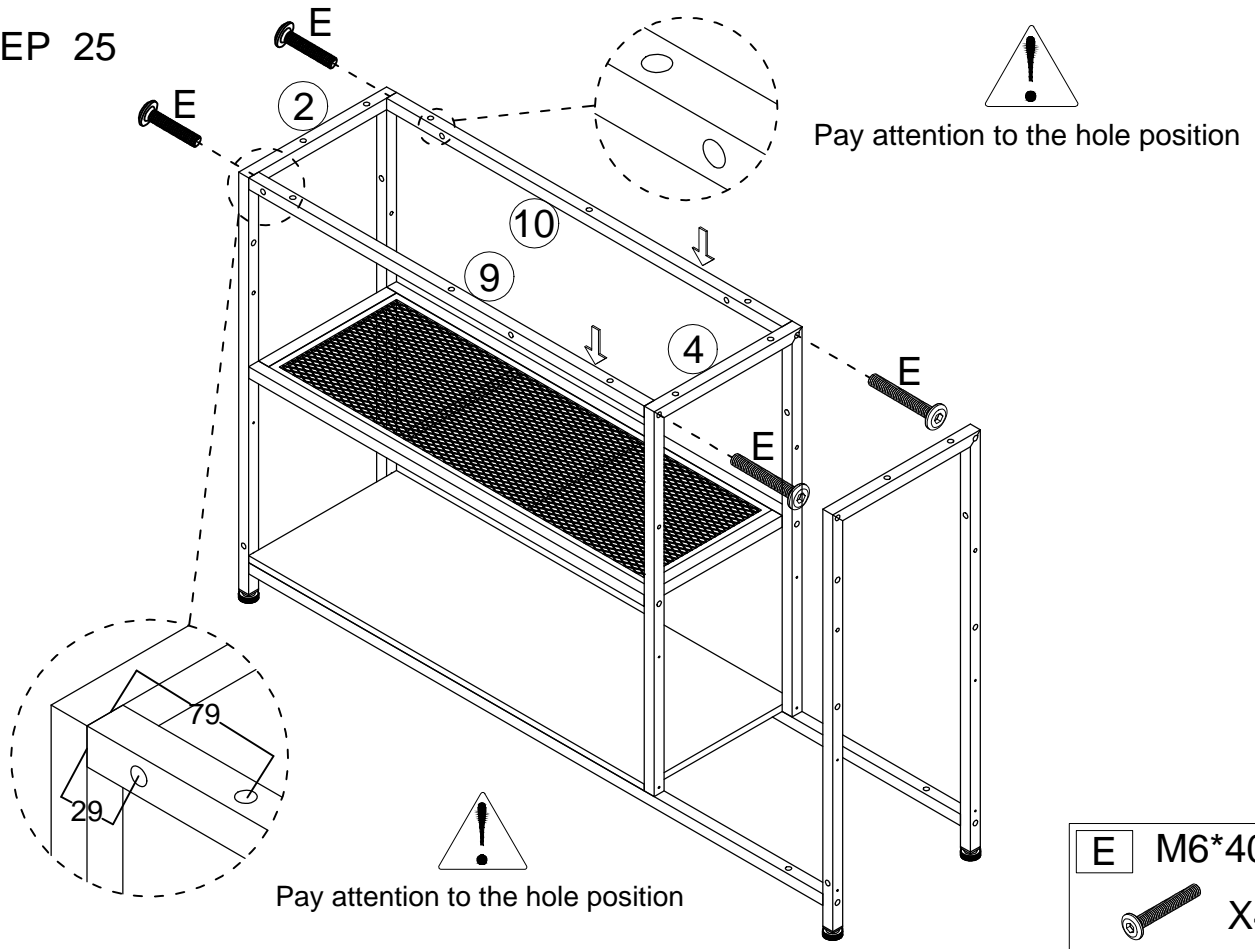


## STEP 24

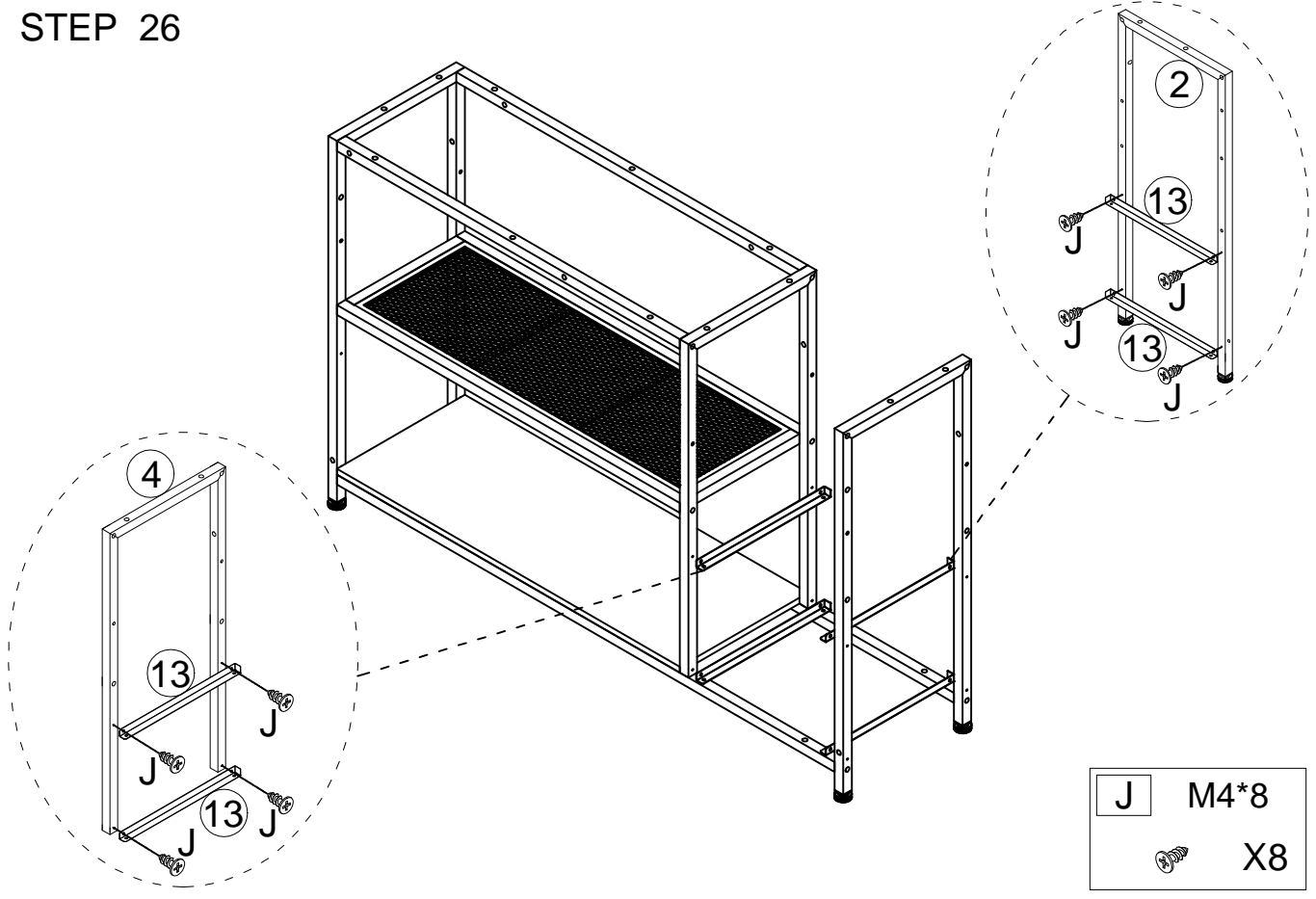


# ASSEMBLY INSTRUCTION

STEP 25

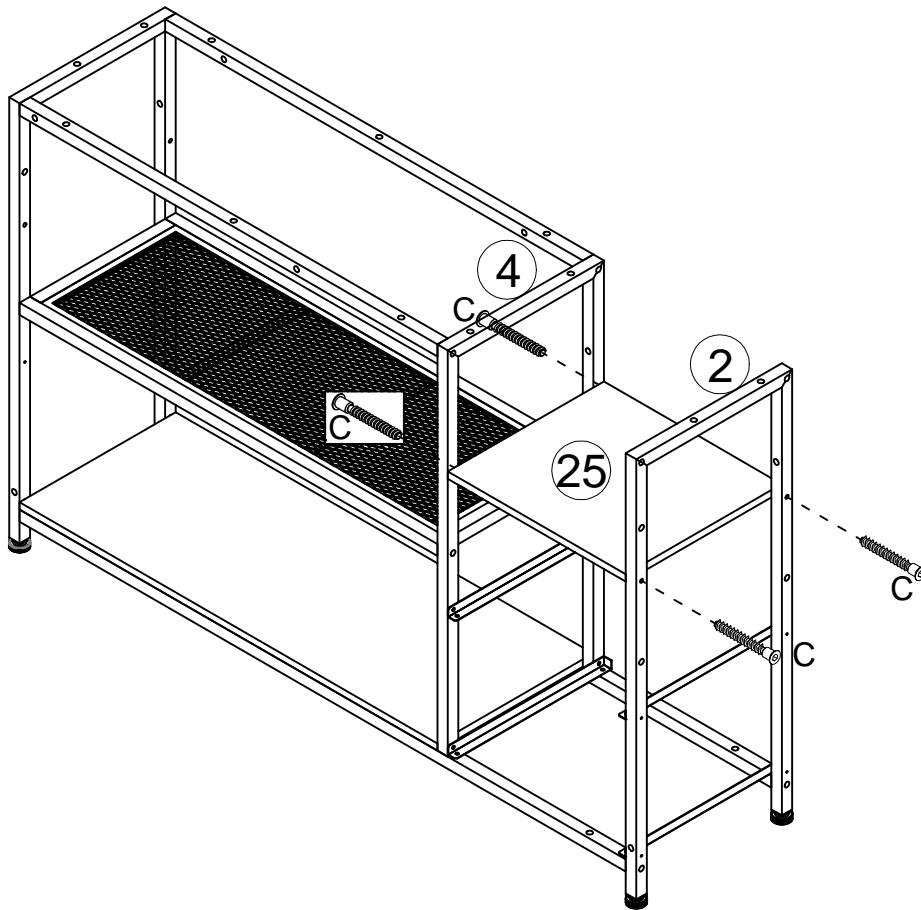



STEP 26



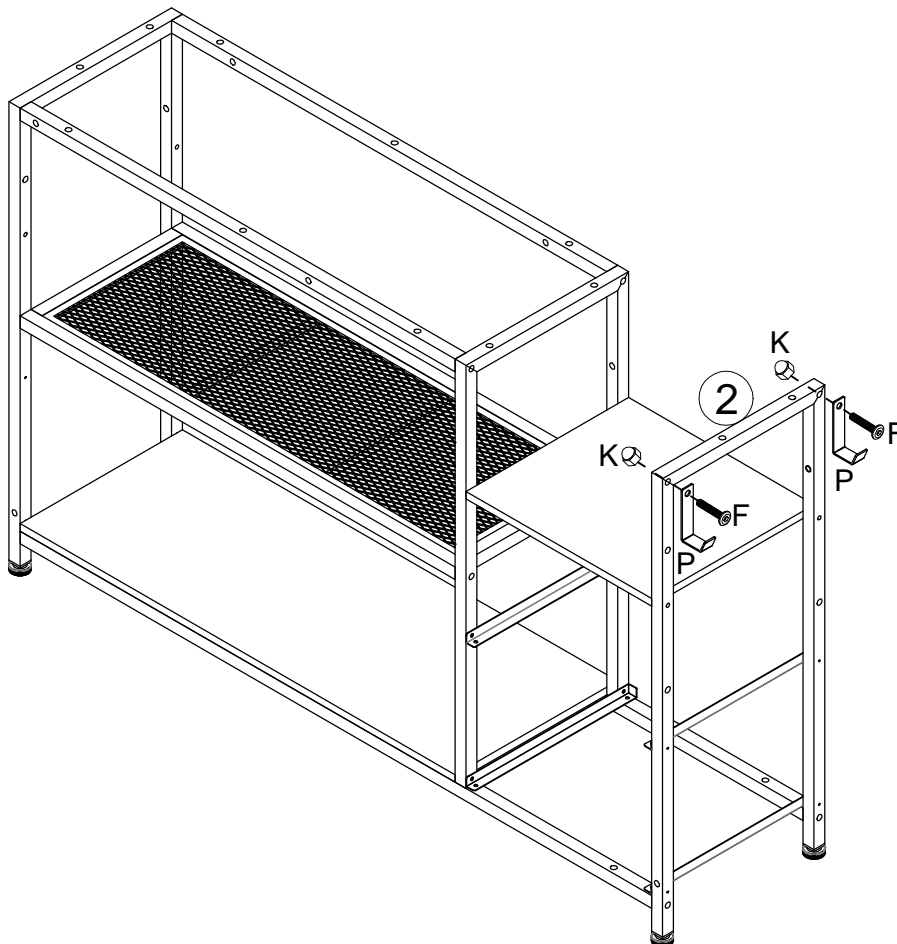
# ASSEMBLY INSTRUCTION



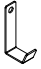
## STEP 27



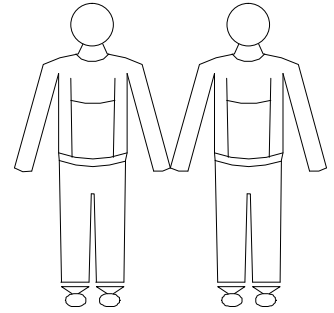
C	M5*40
	X4

## STEP 28

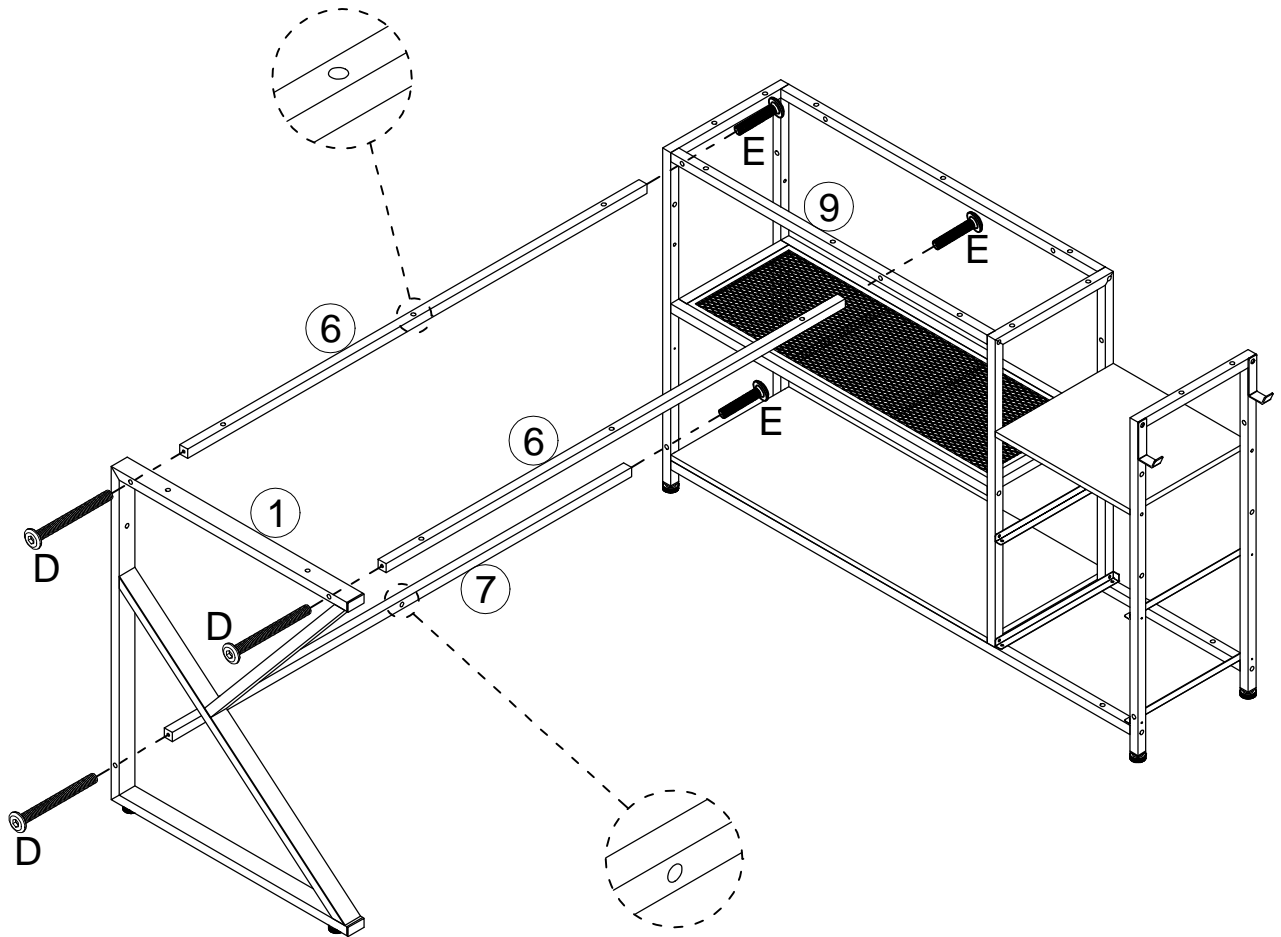


F	M6*30
	X2
K	M6*12
	X2
P	
	X2


# ASSEMBLY INSTRUCTION



Pay attention to the hole position

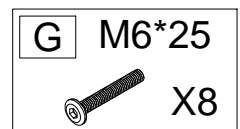
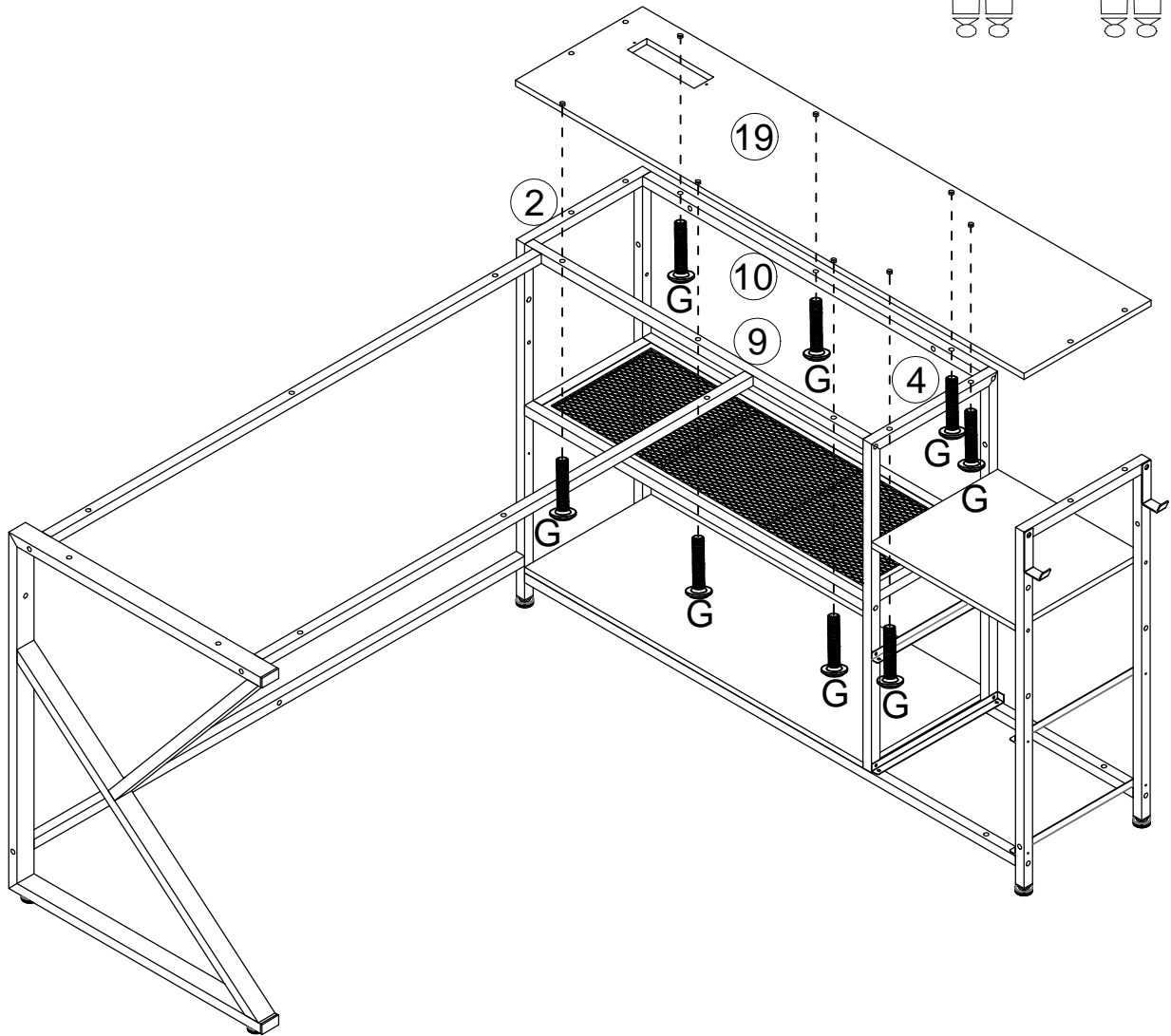
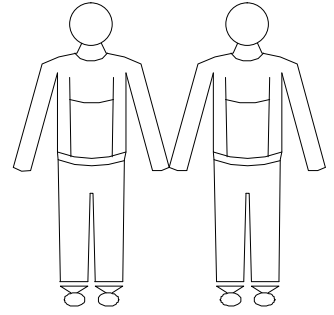


Pay attention to the hole position

D	M6*60	E	M6*40
	X3		X3

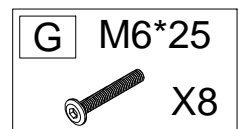
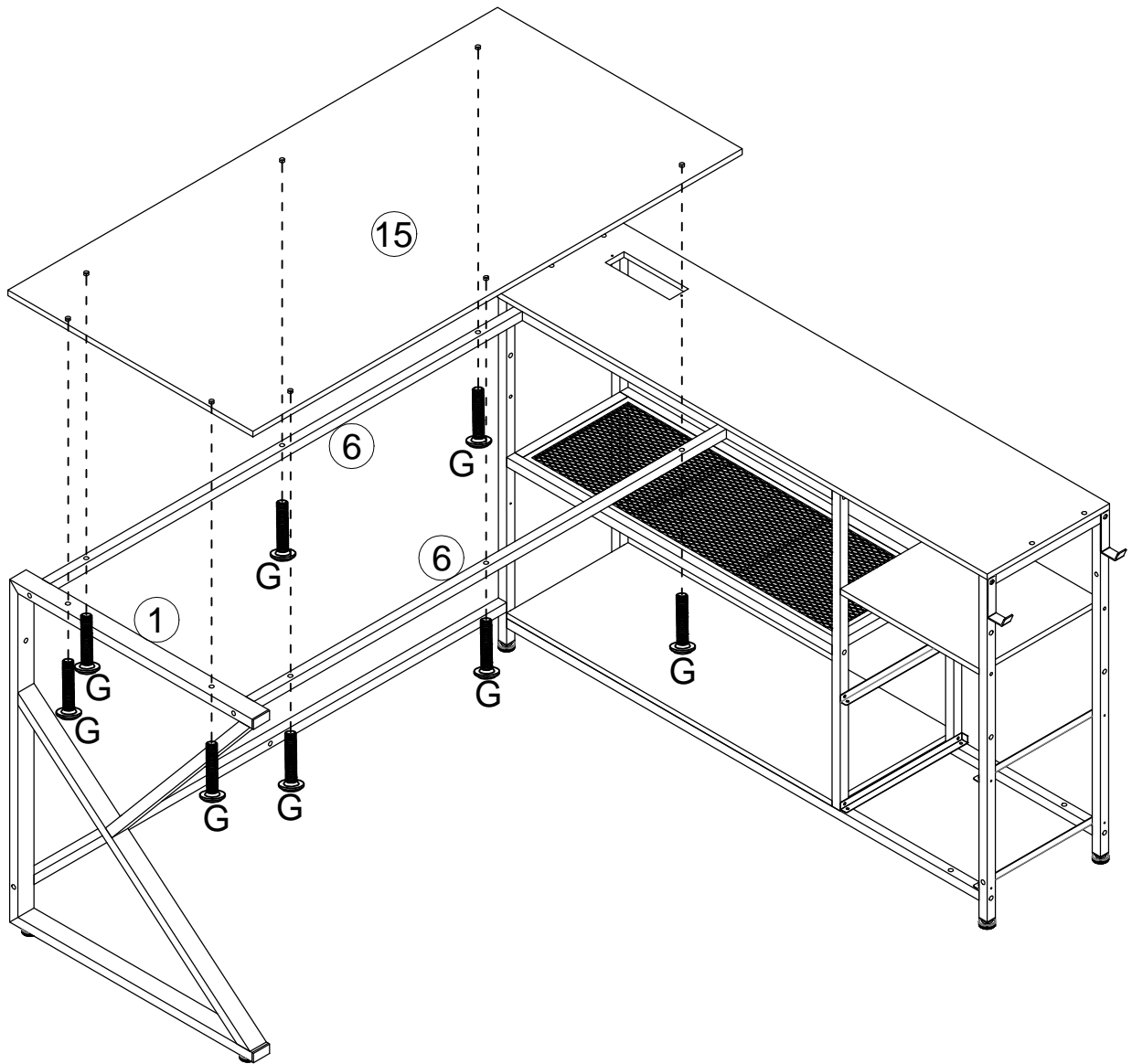
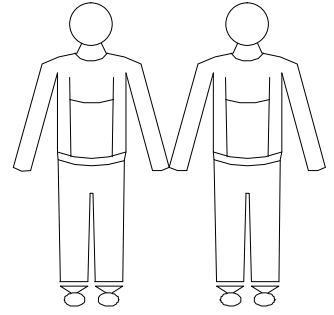
# ASSEMBLY INSTRUCTION

STEP 30



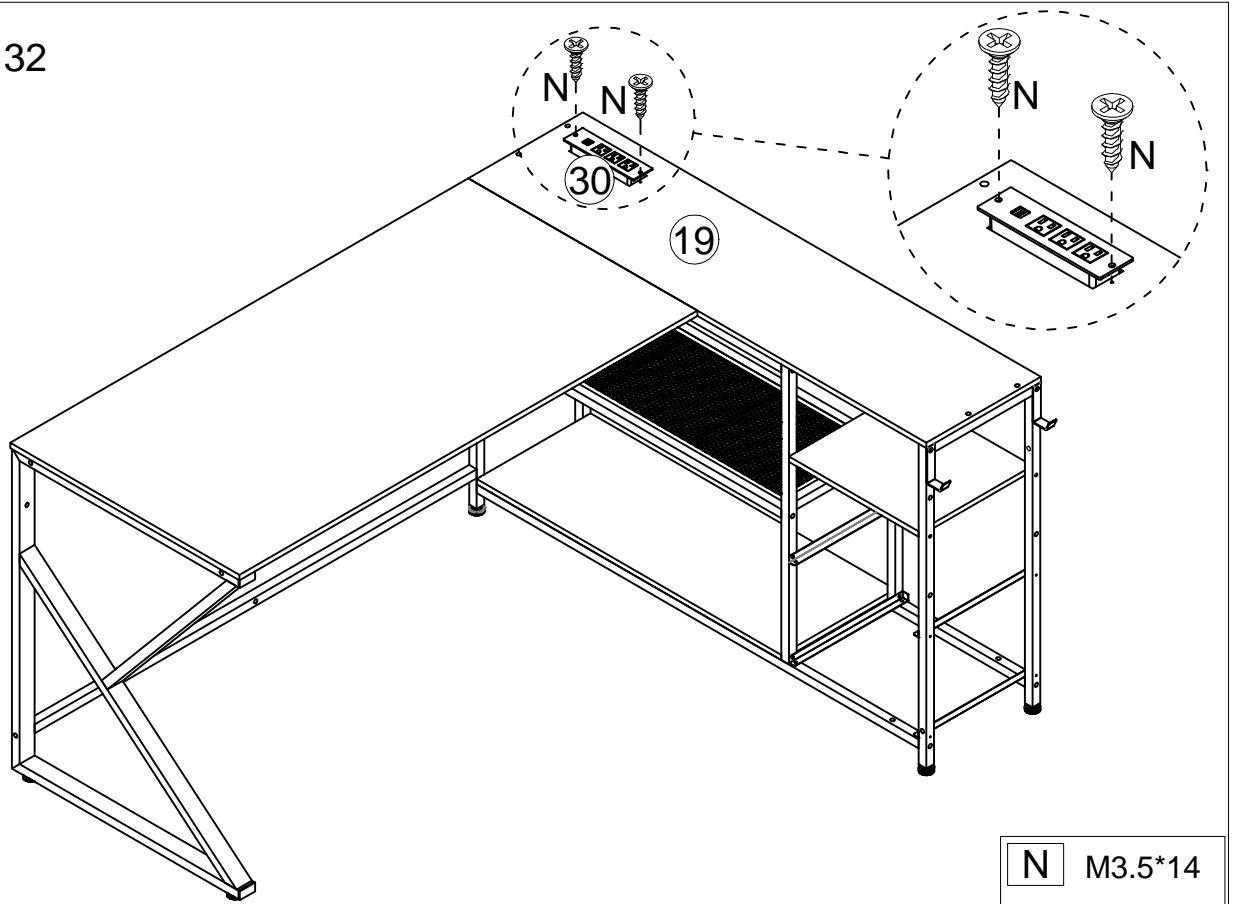
# ASSEMBLY INSTRUCTION


STEP 31



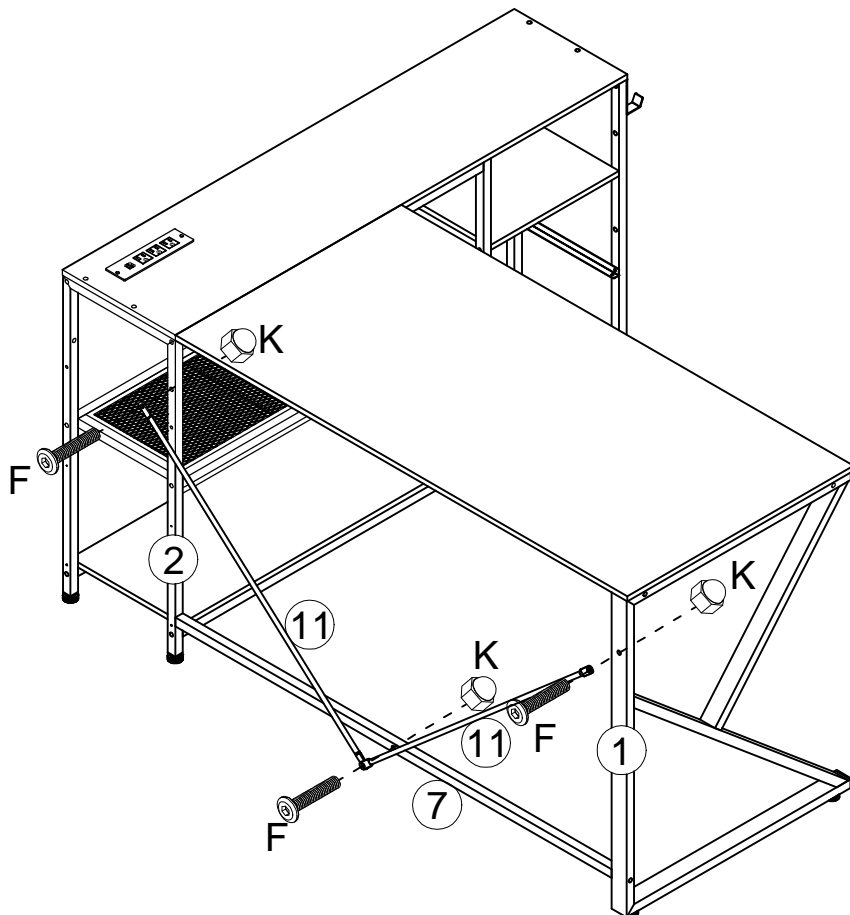
# ASSEMBLY INSTRUCTION



STEP 32



N	M3.5*14
	X2

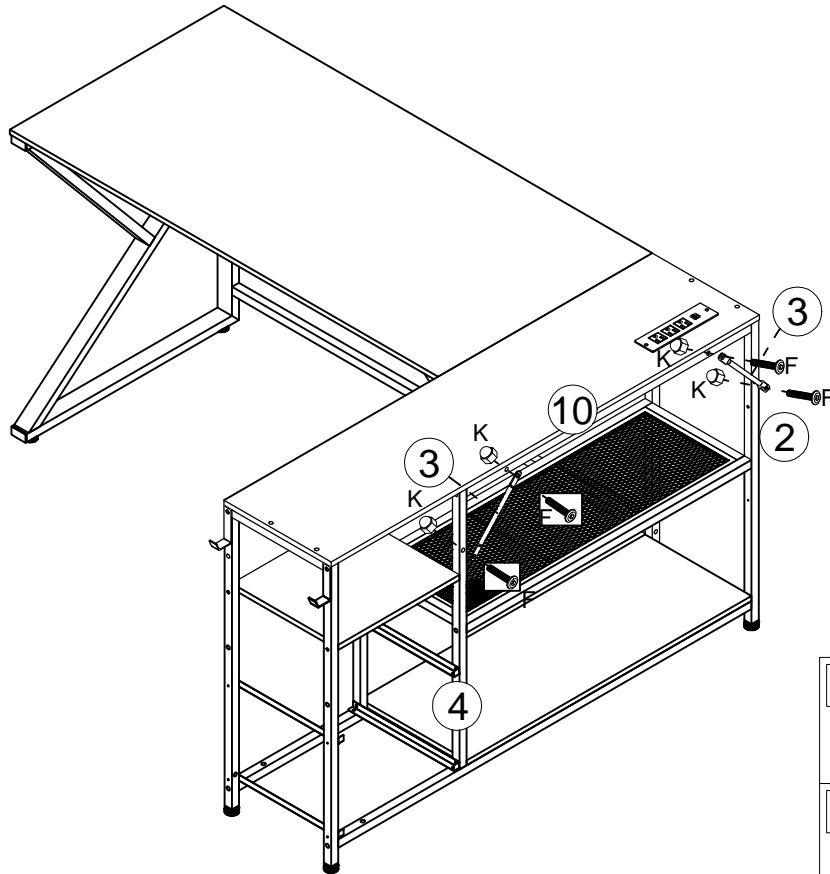
STEP 33



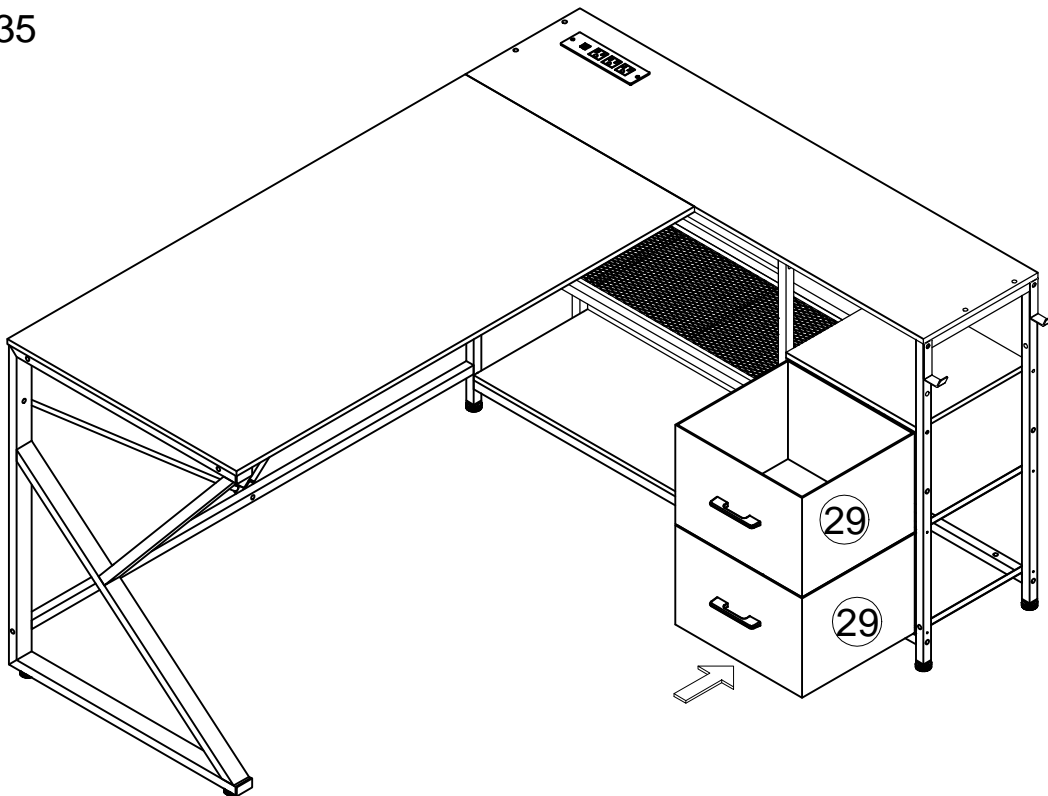
F	M6*30
	X3
K	M6*12
	X3

# ASSEMBLY INSTRUCTION

## STEP 34

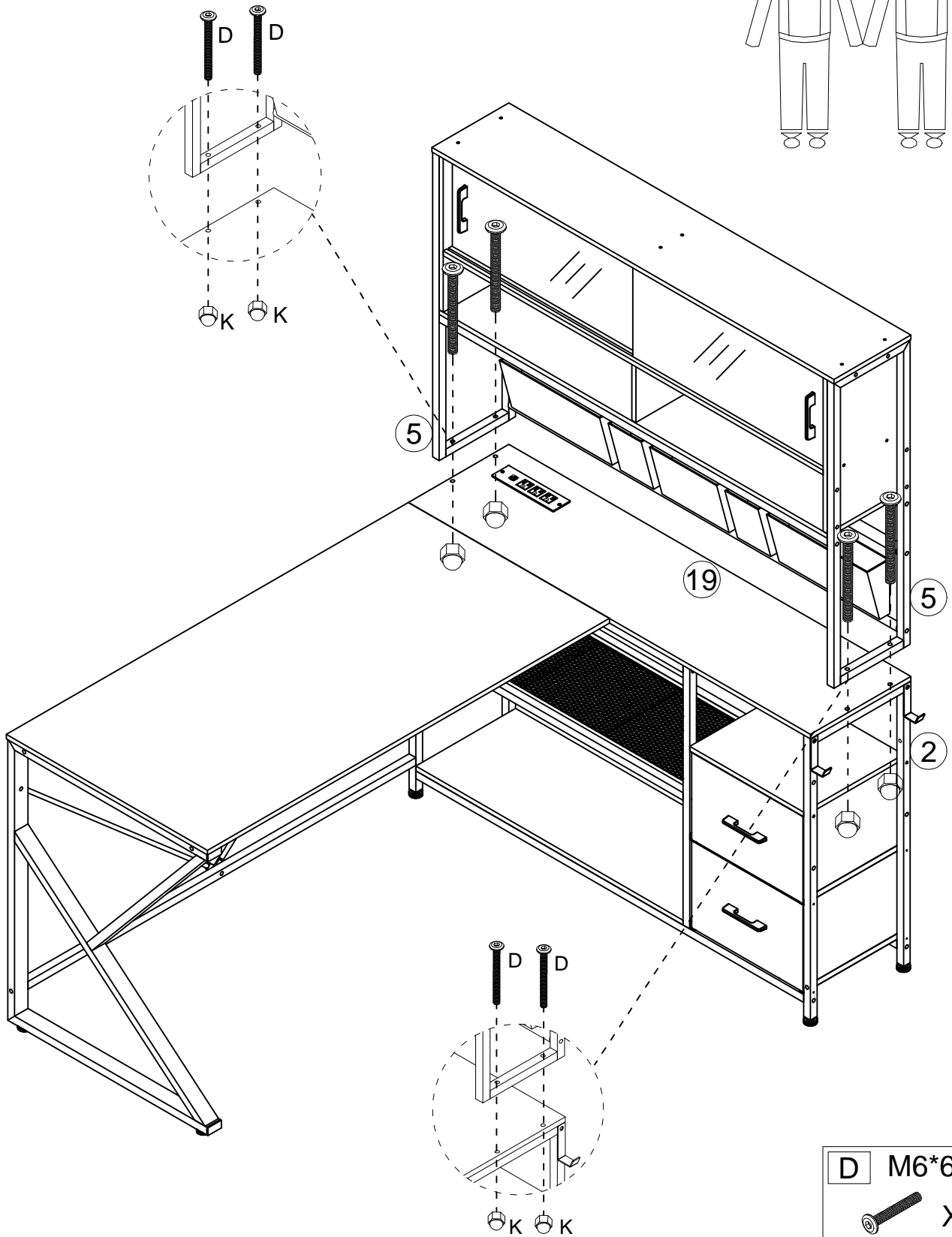
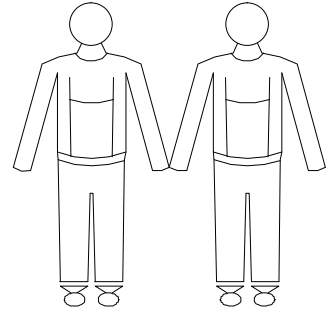




## STEP 35



# ASSEMBLY INSTRUCTION

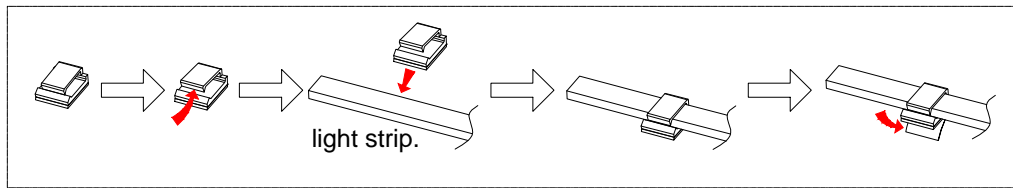
STEP 36



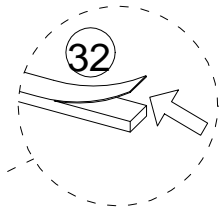
D	M6*60
	X4
K	M6*12
	X4

# ASSEMBLY INSTRUCTION

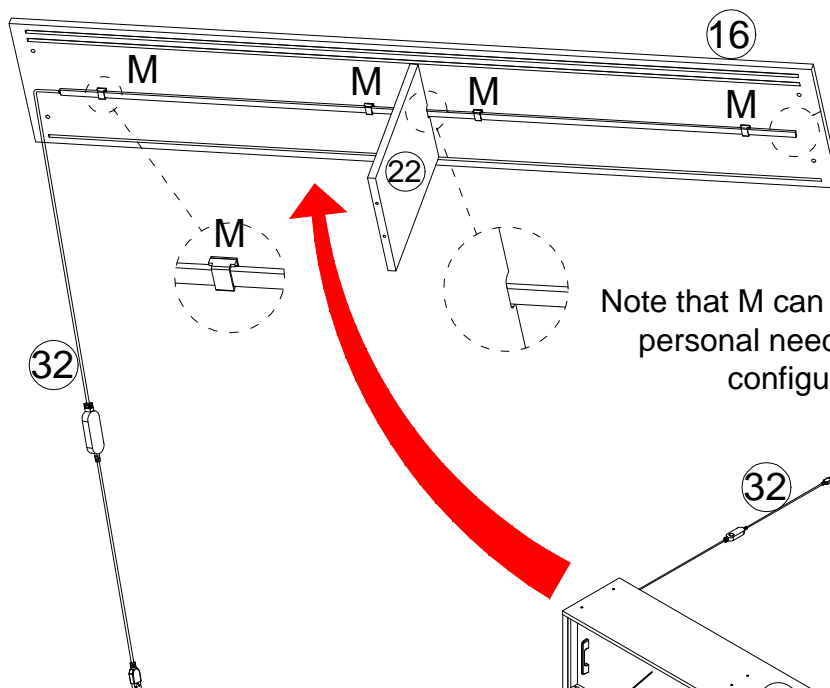
## STEP 37



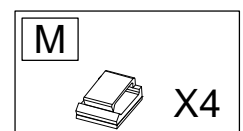
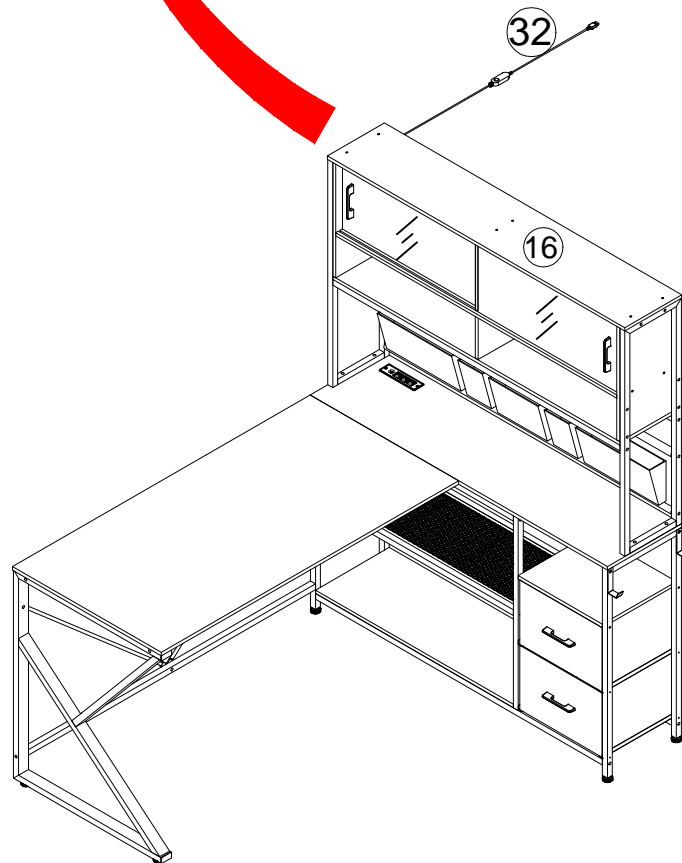
The light strip can be pasted to the desired position according to your own needs.



Carefully remove the plastic film behind the light strip.

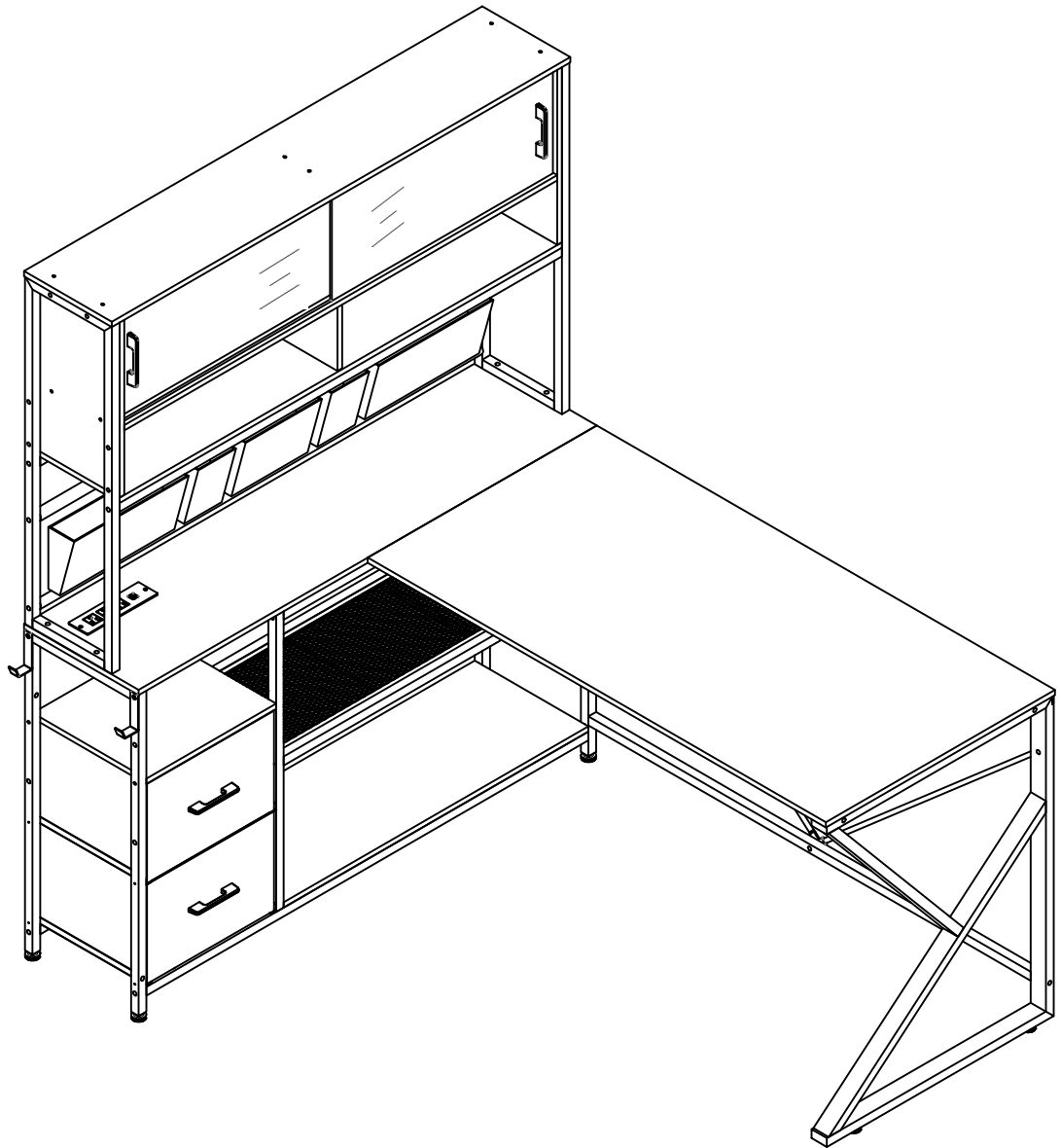


Note that M can be installed or not according to personal needs. M is used for the stick-off configuration of the light strip.



# ASSEMBLY INSTRUCTION

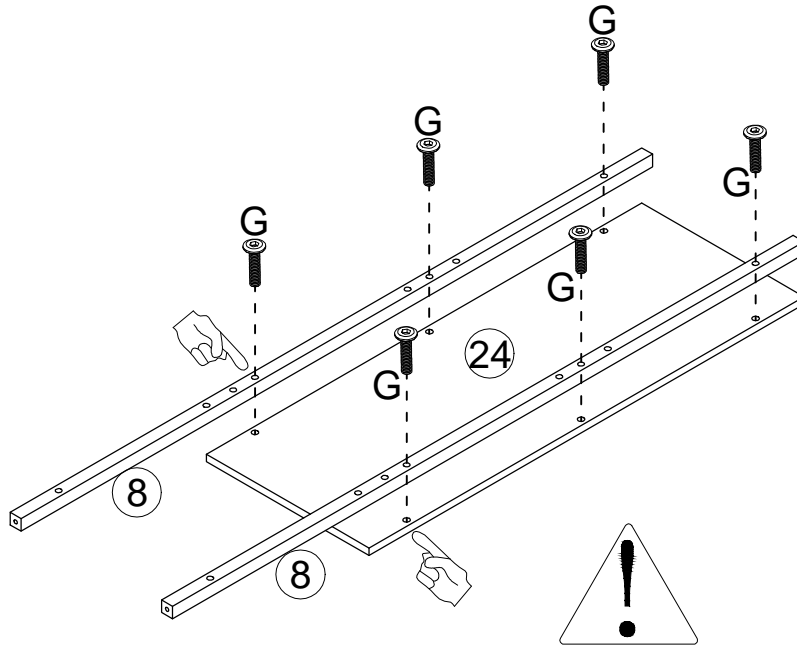
## Installation Option II



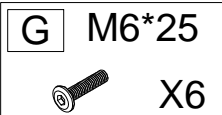
With the basic components of Step1-Step20,  
the following installation method is the second.

# ASSEMBLY INSTRUCTION

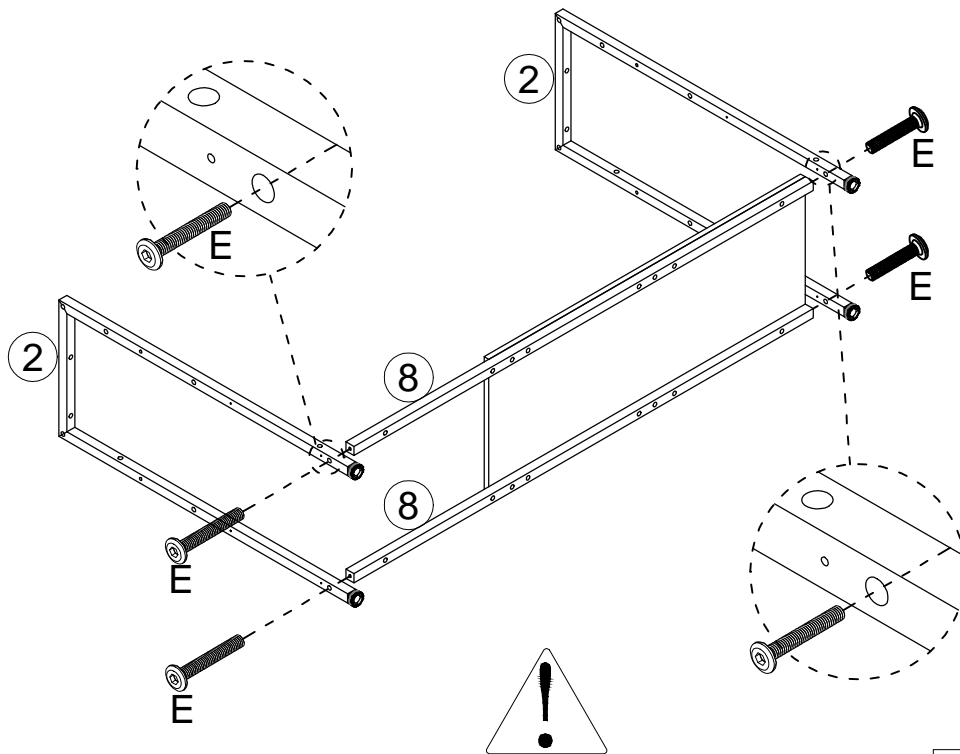
## STEP 38-2



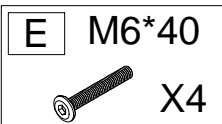
Pay attention to the hole position



## STEP 39-2



Pay attention to the hole position

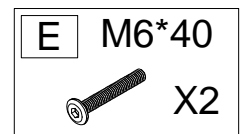
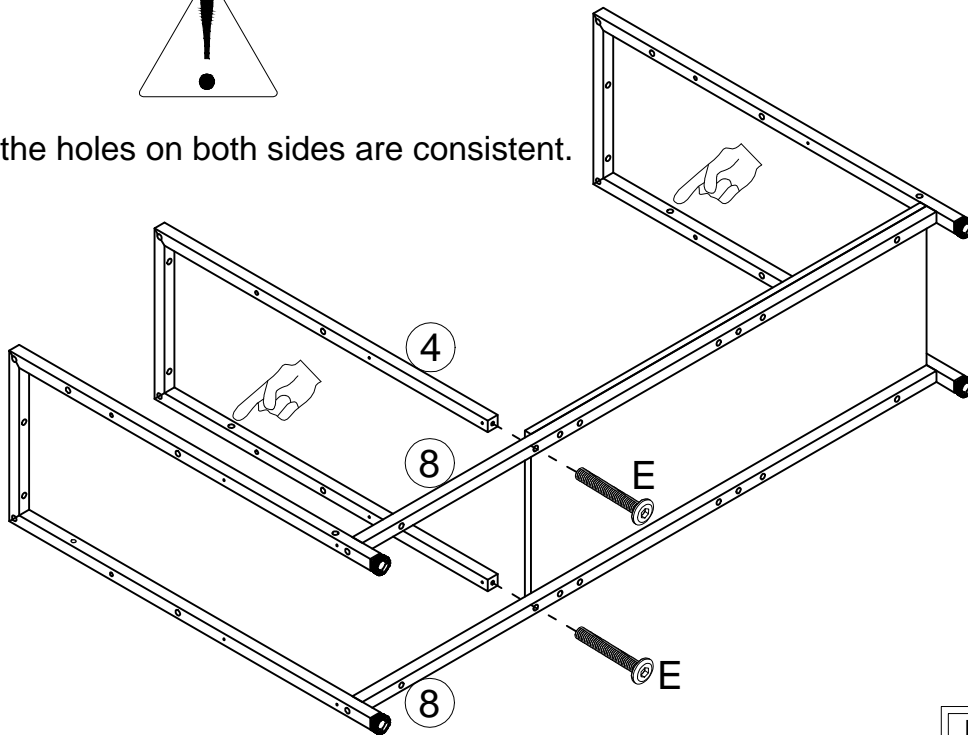


# ASSEMBLY INSTRUCTION

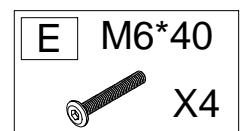
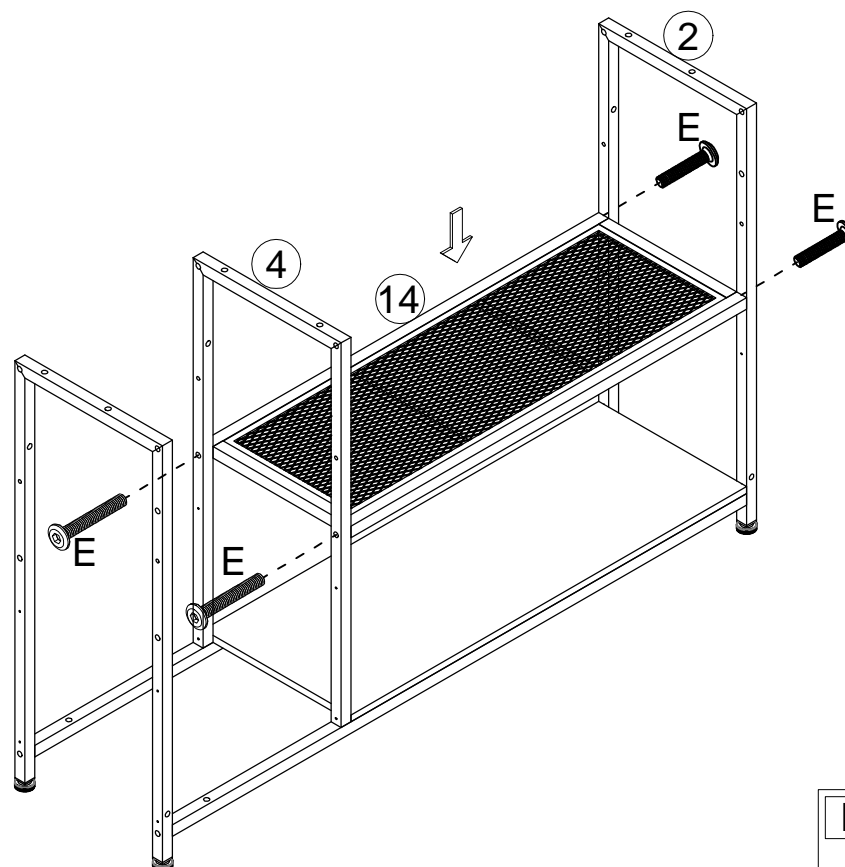
## STEP 40-2



Note that the holes on both sides are consistent.

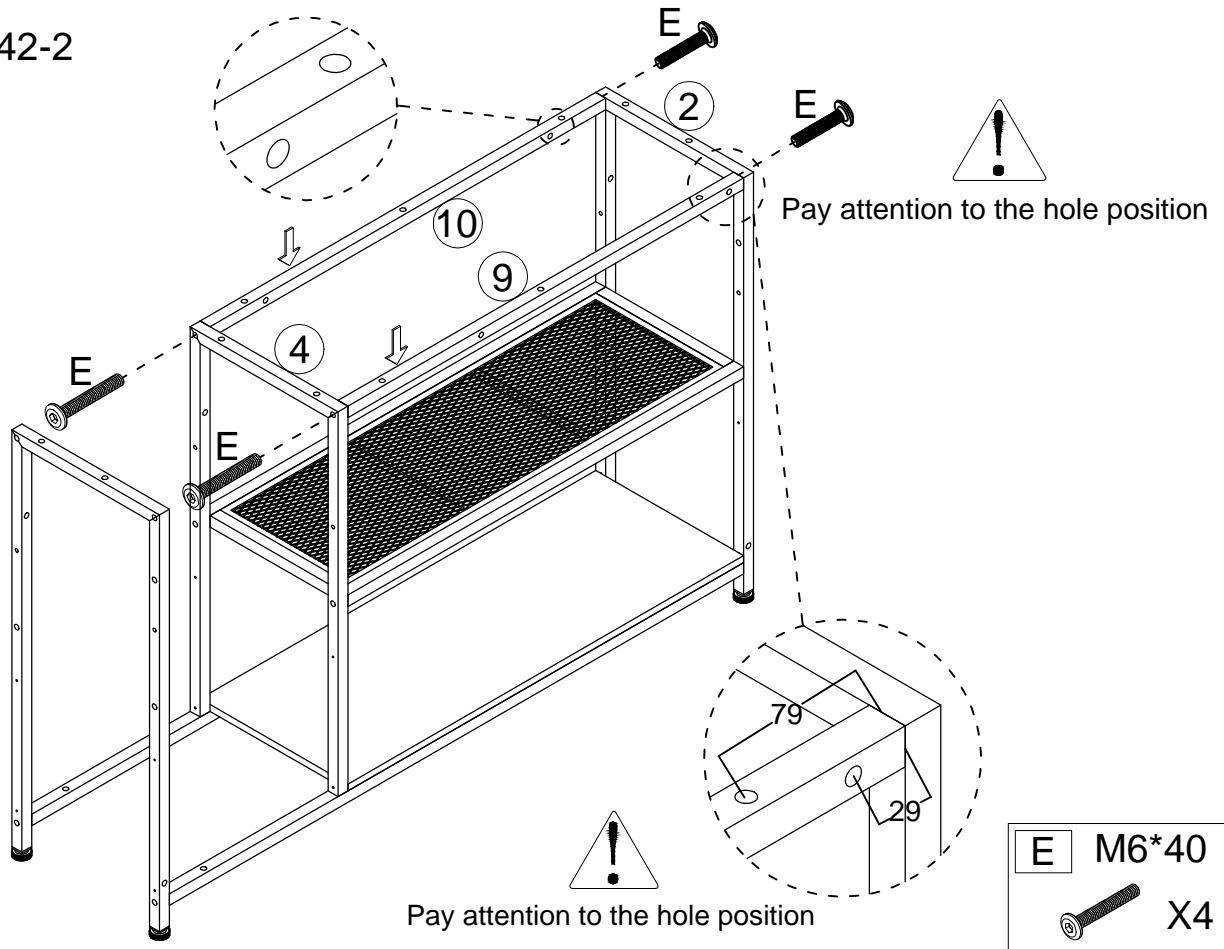


## STEP 41-2

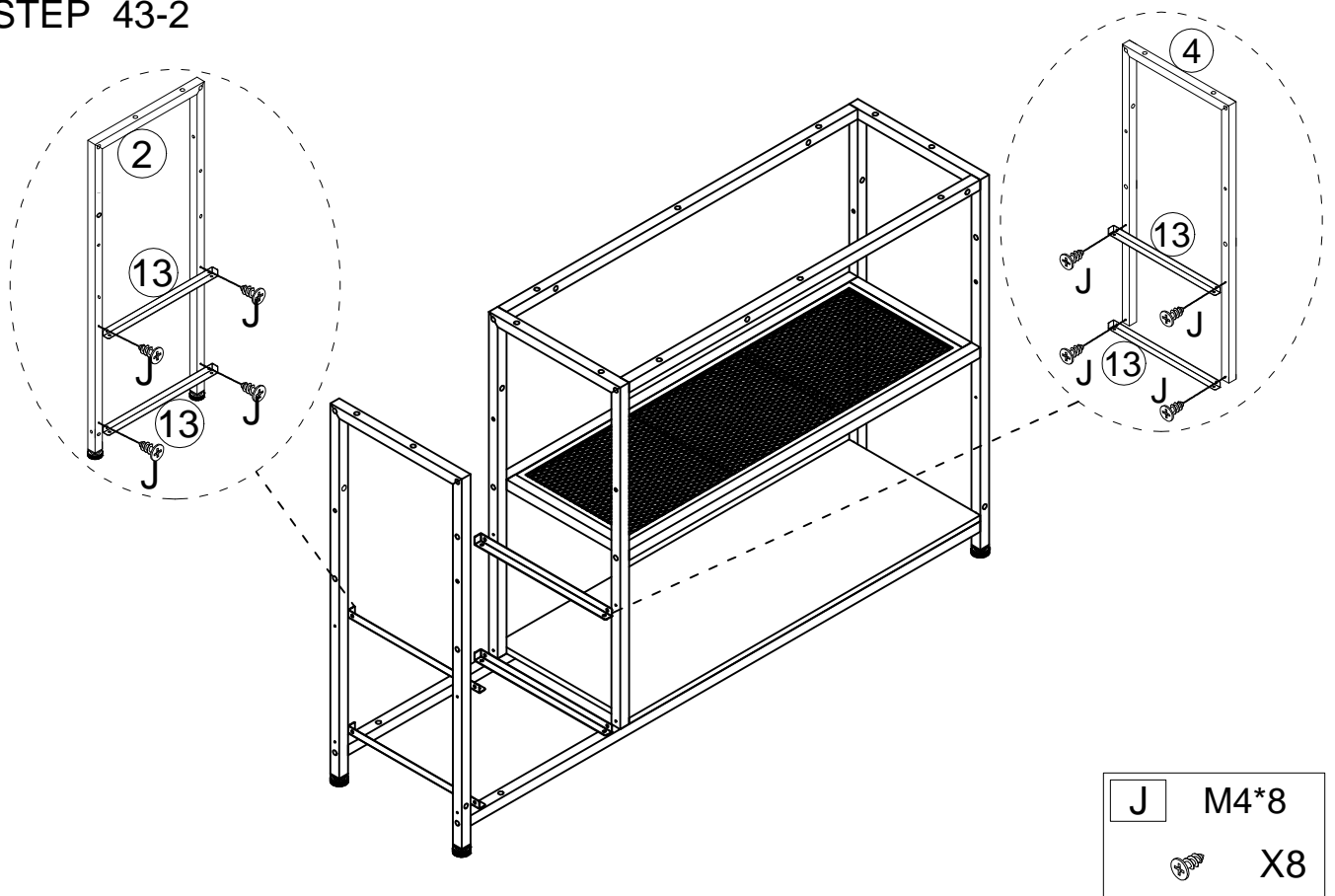


# ASSEMBLY INSTRUCTION

## STEP 42-2

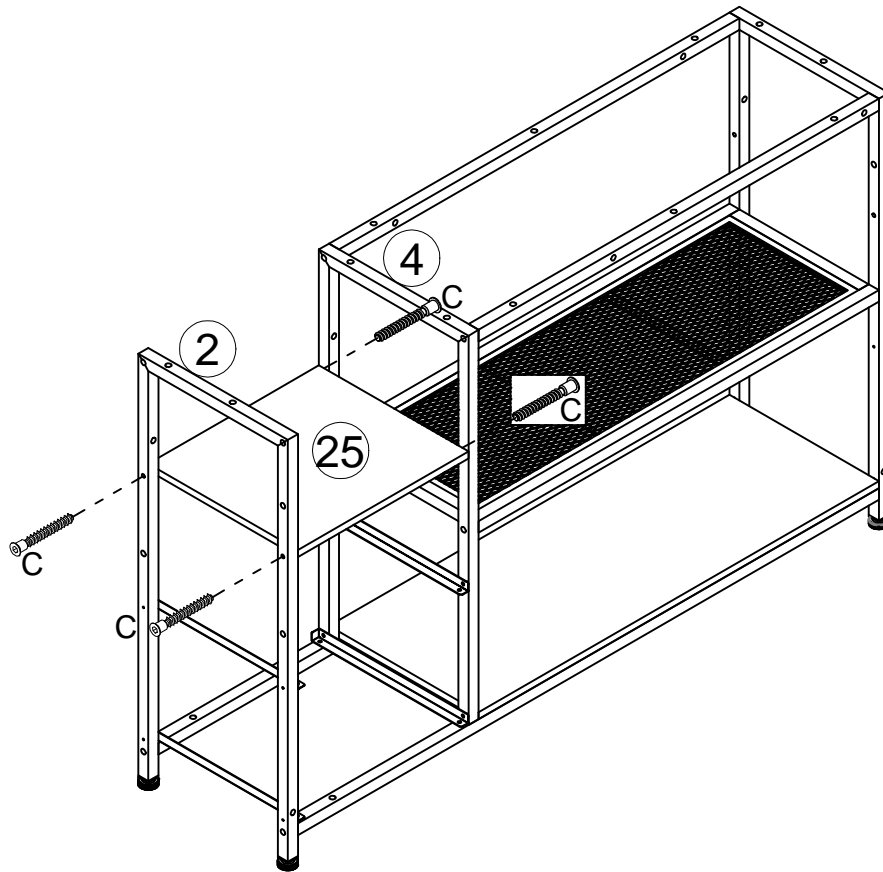



## STEP 43-2



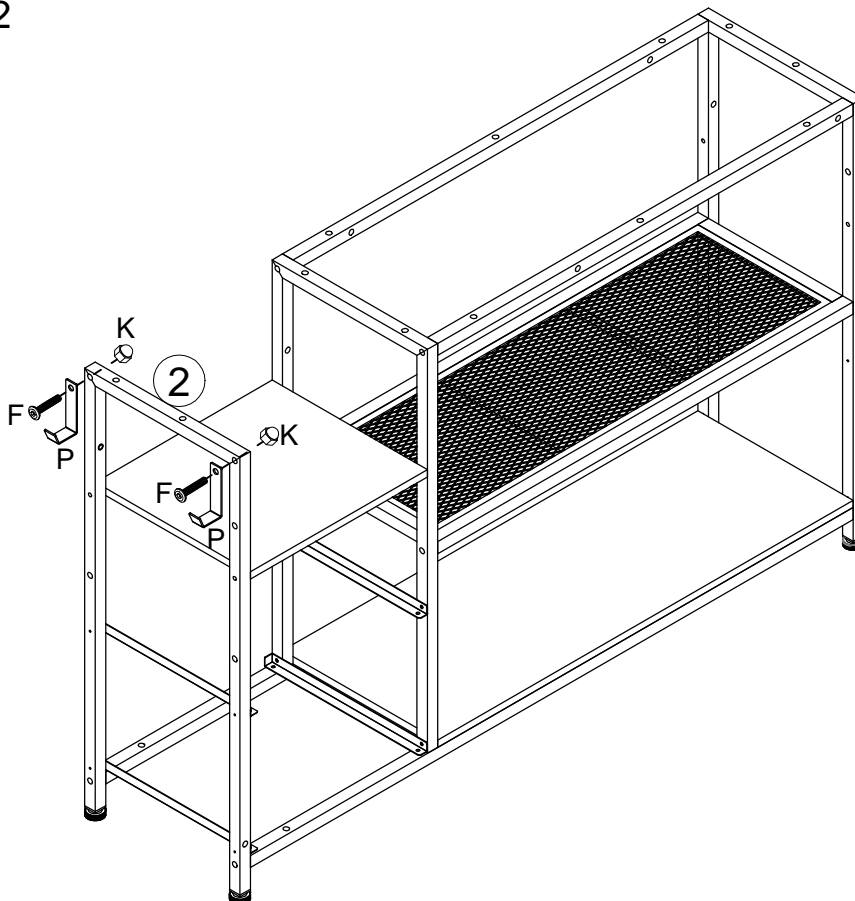
# ASSEMBLY INSTRUCTION



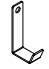
## STEP 44-2



C	M5*40
	X4

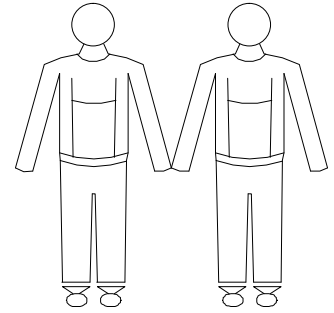
## STEP 45-2



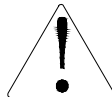
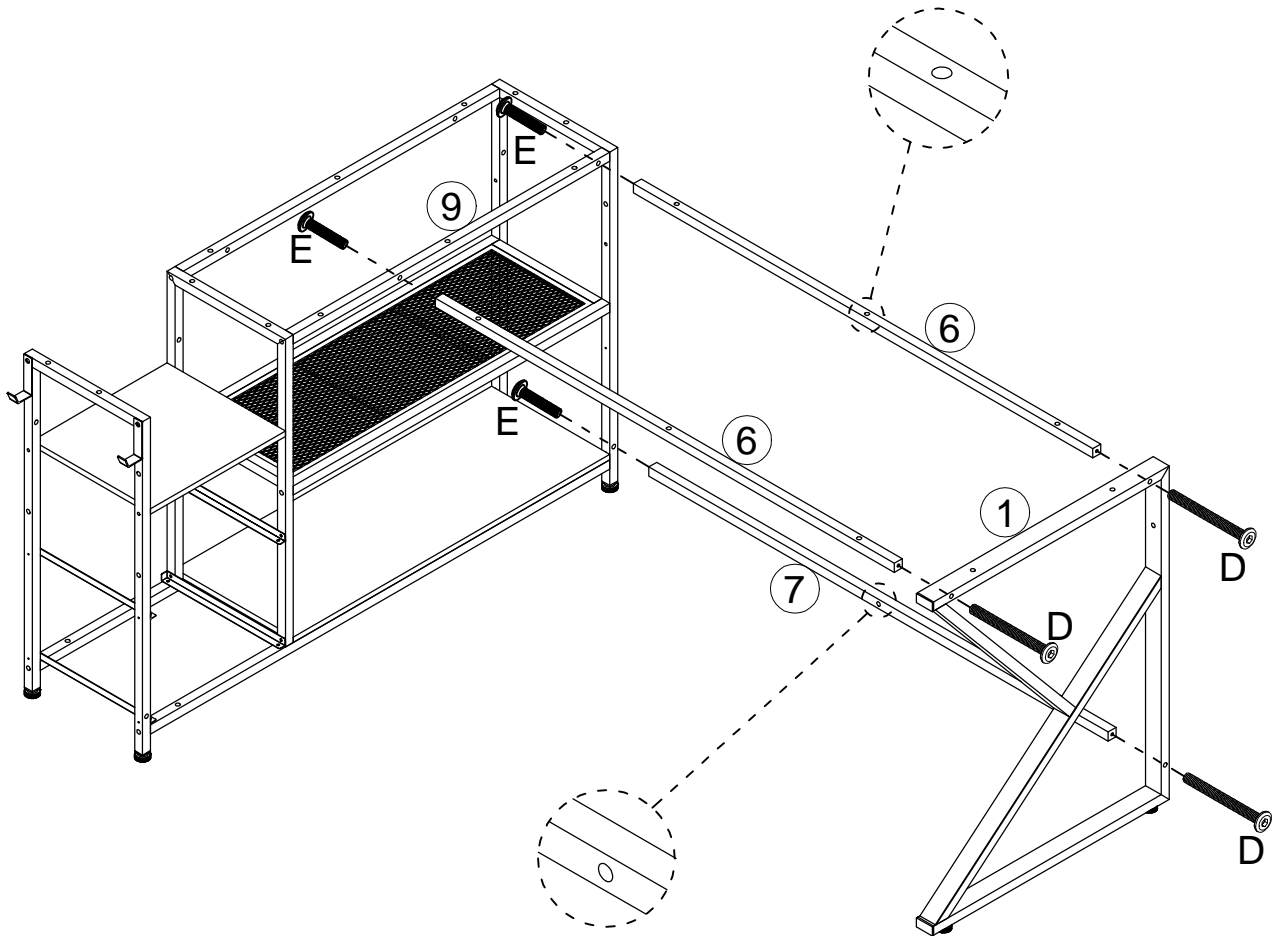
F	M6*30
	X2
K	M6*12
	X2
P	
	X2

# ASSEMBLY INSTRUCTION



STEP 46-2



Pay attention to the hole position

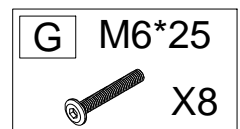
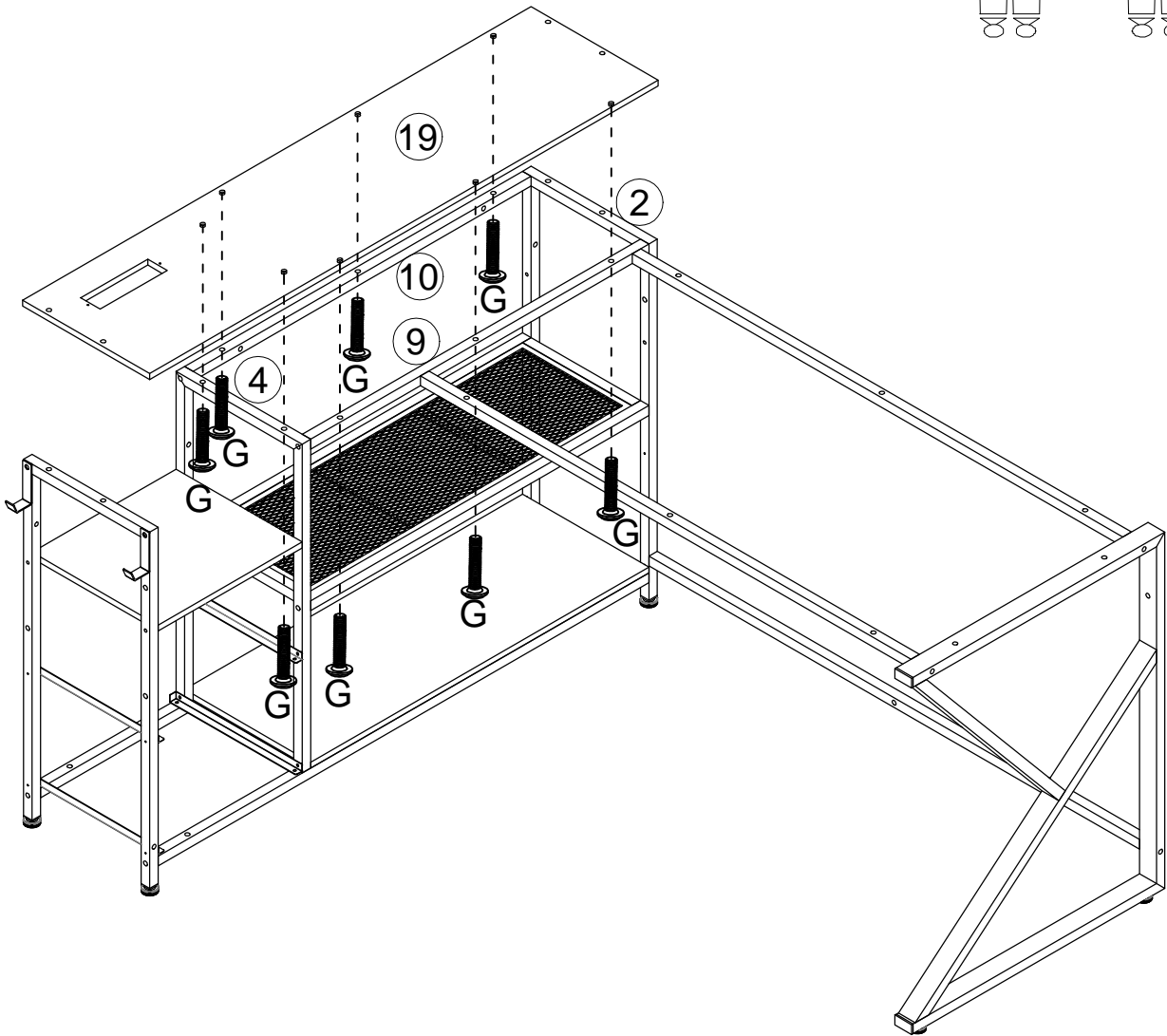
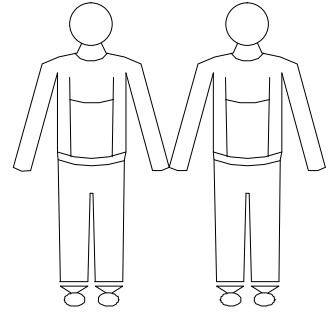


Pay attention to the hole position

D	M6*60	E	M6*40
	X3		X3

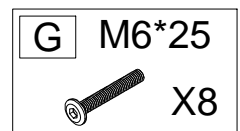
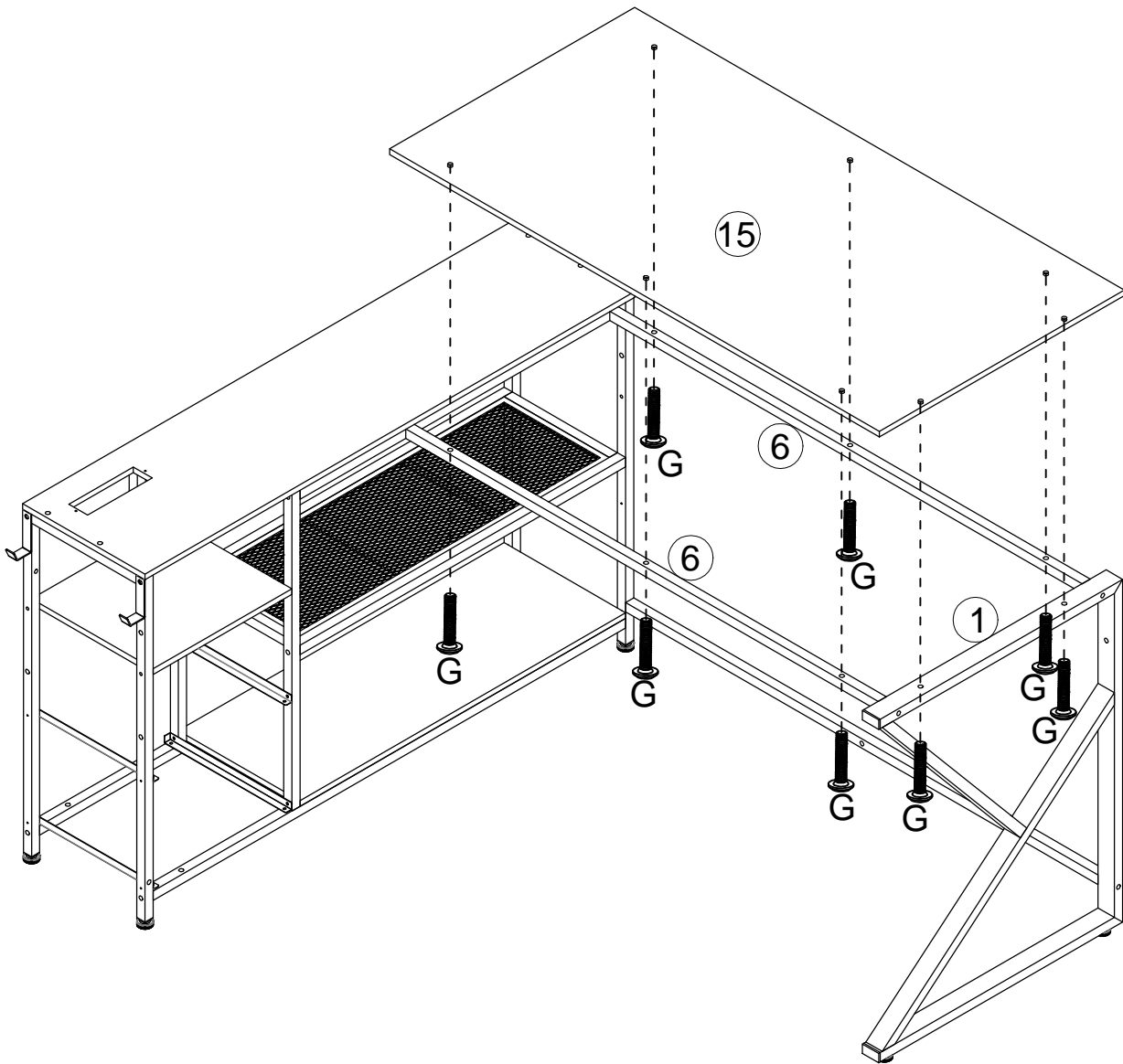
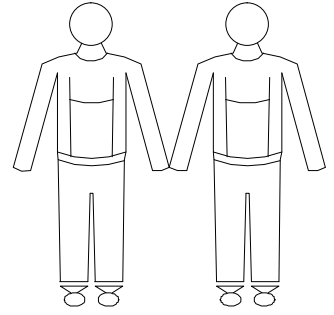
# ASSEMBLY INSTRUCTION

STEP 47-2



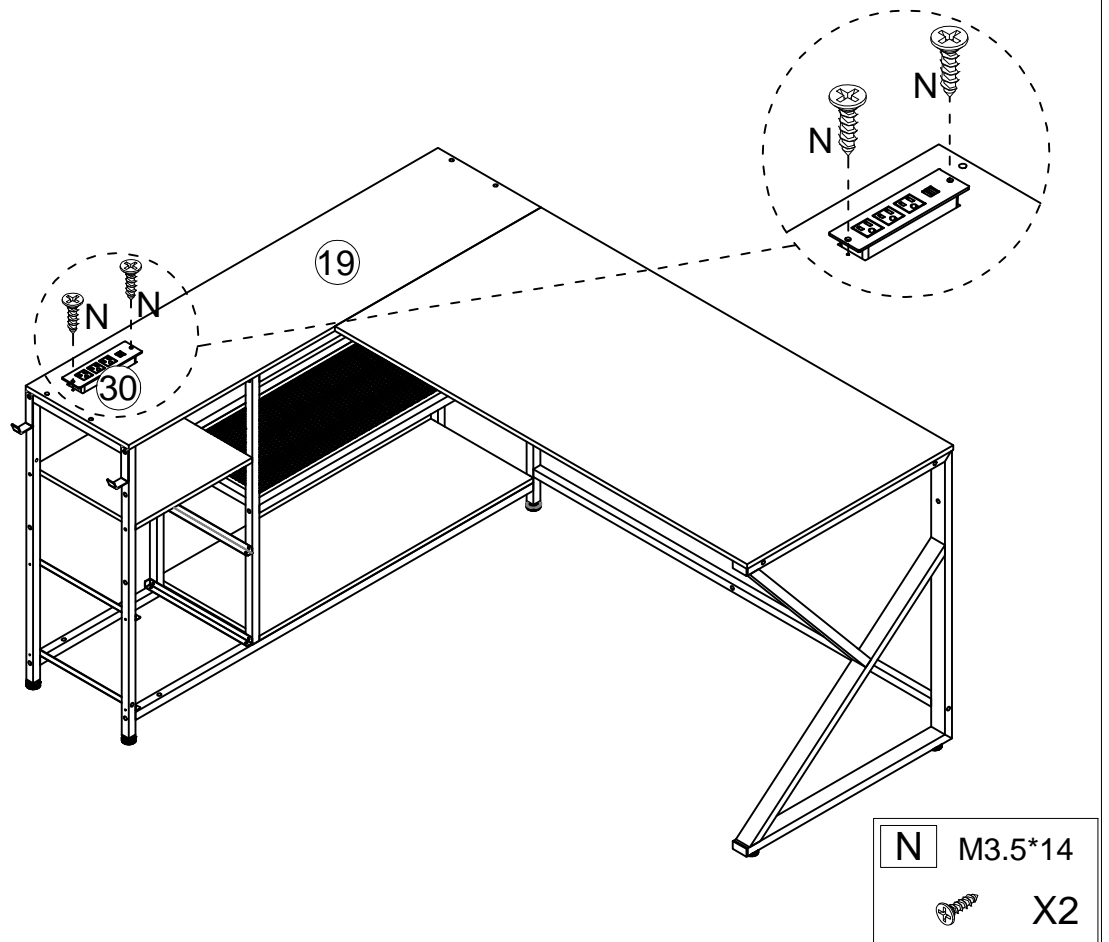
# ASSEMBLY INSTRUCTION

STEP 48-2

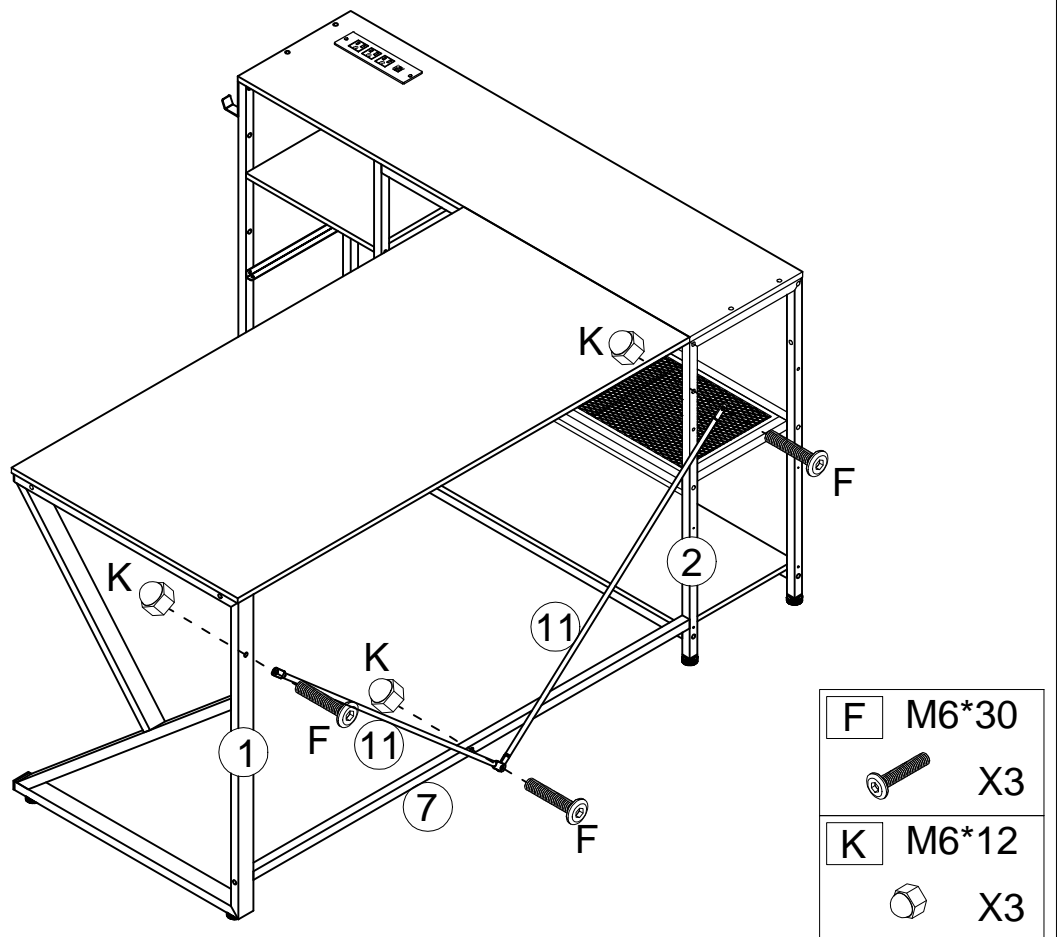


# ASSEMBLY INSTRUCTION

## STEP 49-2

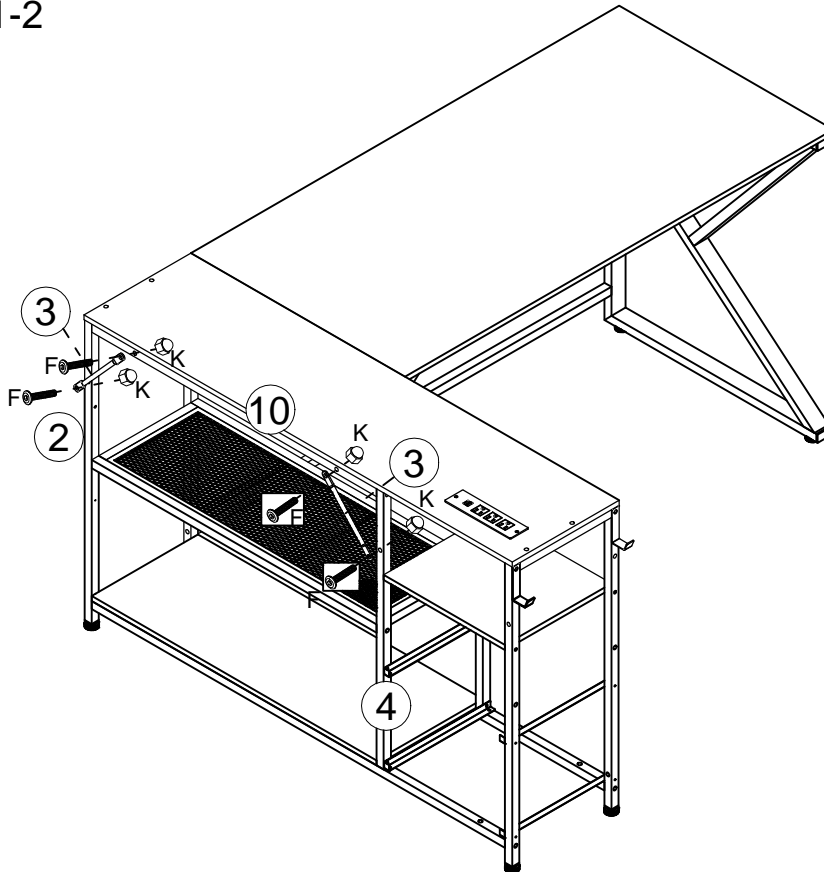




## STEP 50-2



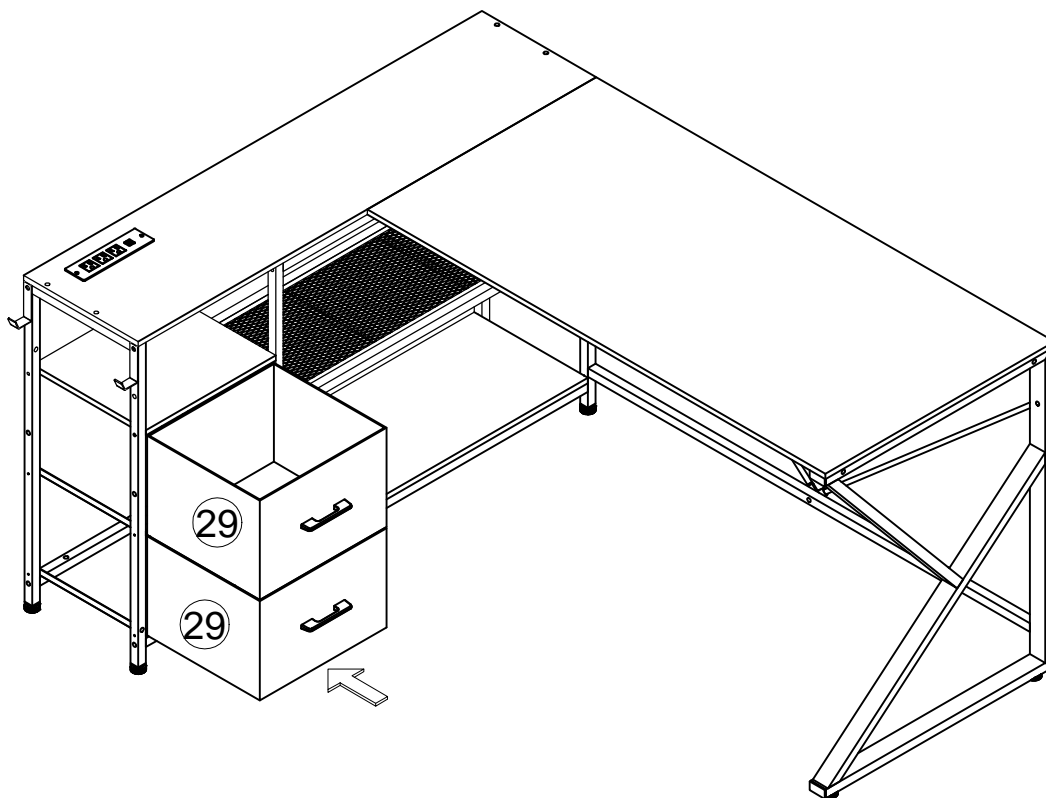
# ASSEMBLY INSTRUCTION

## STEP 51-2



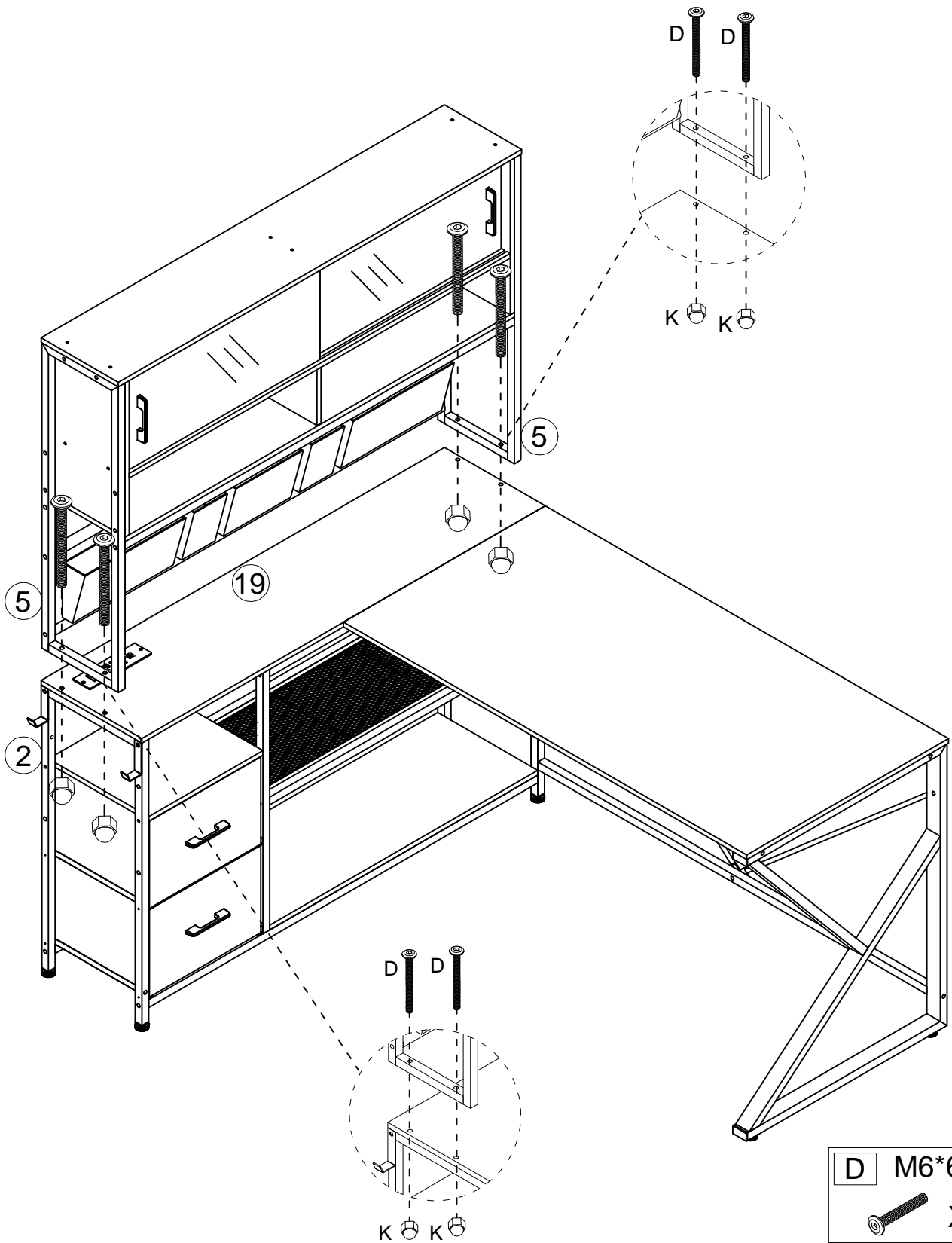
F	M6*30
	X4
K	M6*12
	X4



## STEP 52-2



# ASSEMBLY INSTRUCTION

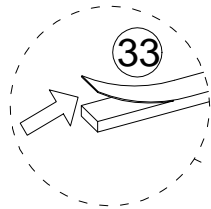
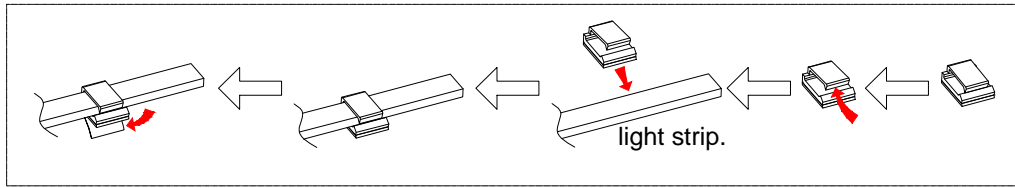
STEP 53-2



D	M6*60
	X4
K	M6*12
	X4

# ASSEMBLY INSTRUCTION

## STEP 54



The light strip can be pasted to the desired position according to your own needs.

Carefully remove the plastic film behind the light strip.

Note that M can be installed or not according to personal needs. M is used for the stick-off configuration of the light strip.

