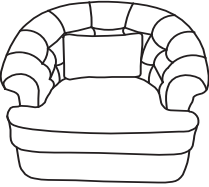

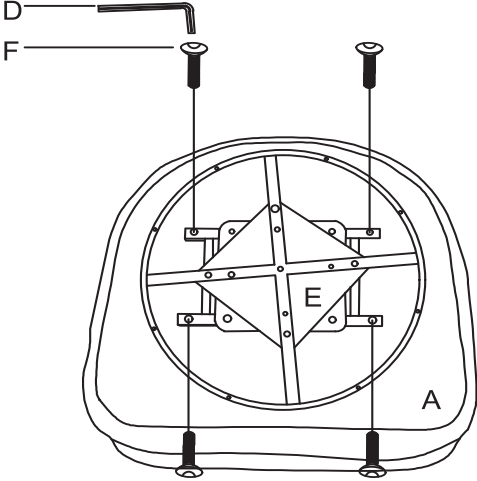
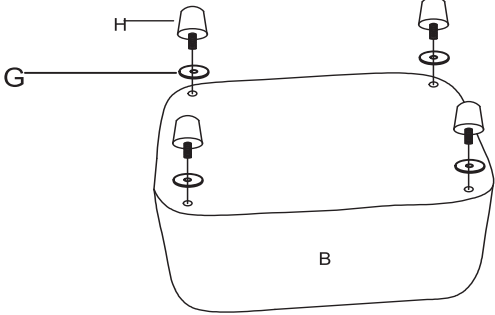


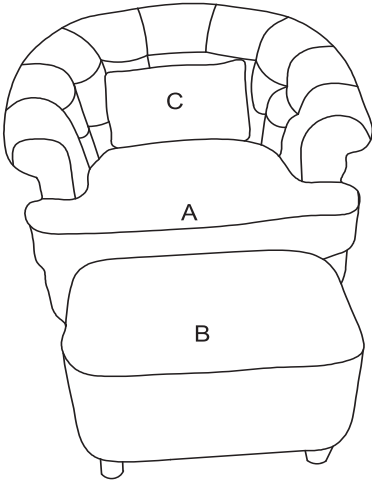






# ASSEMBLY INSTRUCTION

<p><b>A*1 SEAT CUSHION</b></p> 	<p><b>E*1 SERVING TRAY</b></p> 	<p><b>1</b></p> 	<p><b>2</b></p> 
<p><b>B*1 Foot pedals</b></p> 	<p><b>F*4 SCREW</b></p>  <p><b>M6x45MM</b></p>	<p><b>3</b></p> 	
<p><b>C*1 CUSHION</b></p> 	<p><b>G*4</b></p> 		
<p><b>D*1 SPANNER</b></p> 	<p><b>H*4 Washer</b></p> 		

PLEASE READ "VELVET MAINTENANCEINSTRUCTIONS"BACK SIDE IF THE PRODUCT YOU BUY IS IN VELVET FABRIC