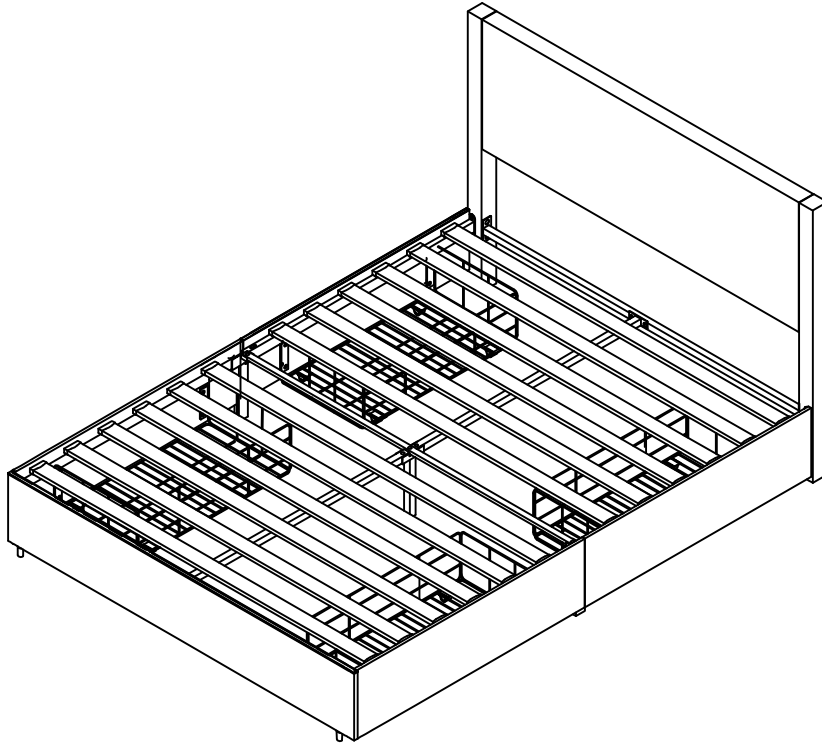


SPU : PH0_33T6

Lot NO : TC-NO.1

Full/Queen

Installation Manual



Trouble shooting

Missing/Wrong/Broken parts and installation issues



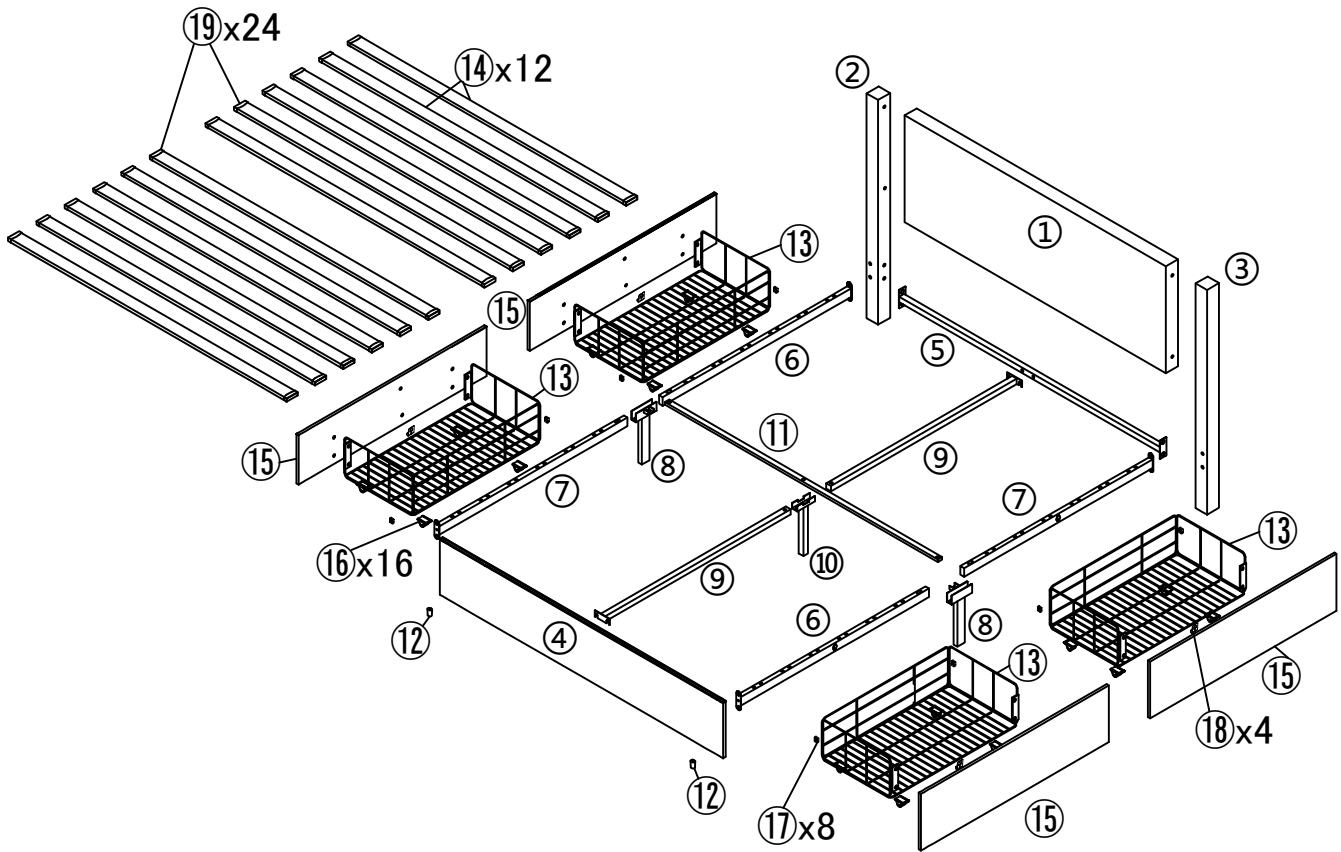
Send email with your question, pic and order NO.to
support@idealhouse.vip



Respond within 24 hours



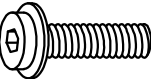
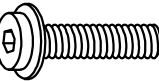




Issue resolved



Note: Don't tighten all screws during installation.

Screws & Tools ▼

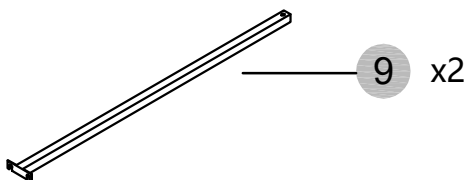
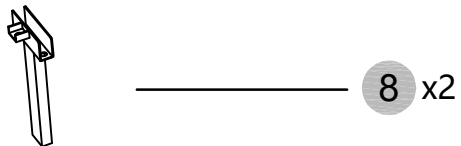
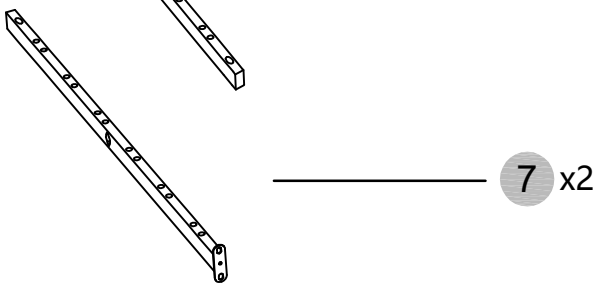
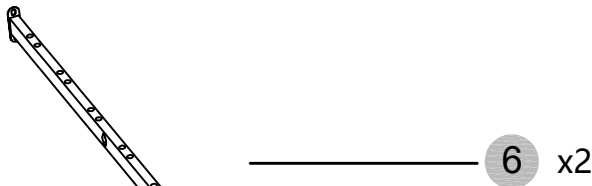
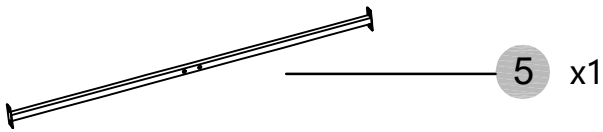
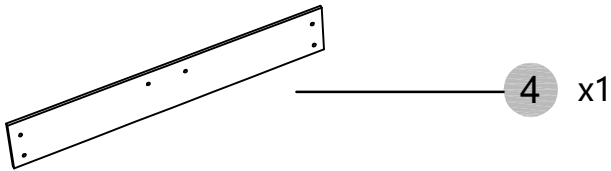
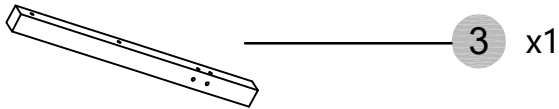
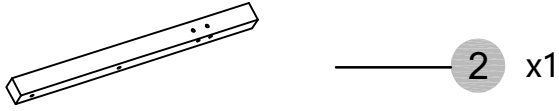
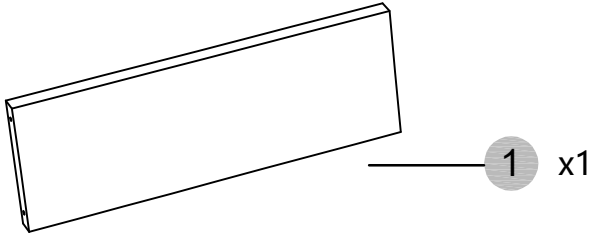
A		M6x12	X24
B		M8x18	X18
C		M8x35	X6
D		M8x45	X5
E		D4mm	X1
F		D5mm	X1

Please check all components & screws before assembly.

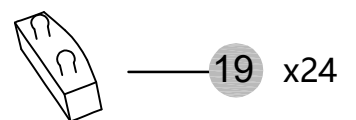
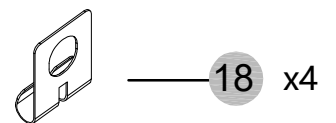
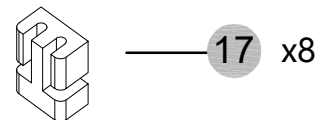
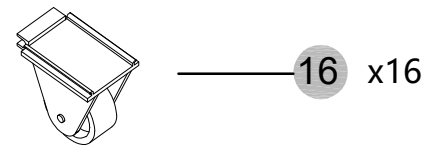
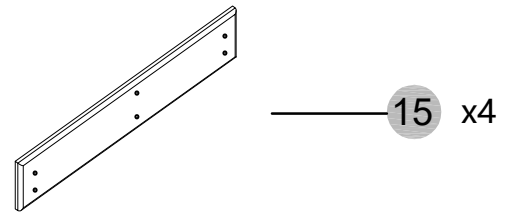
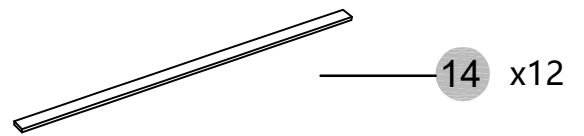
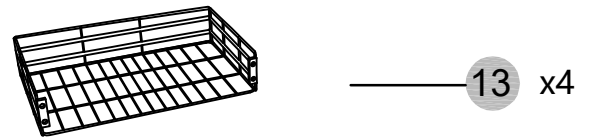
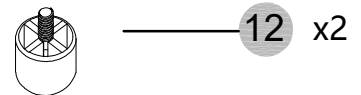
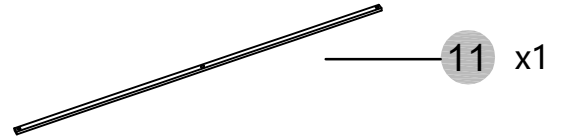
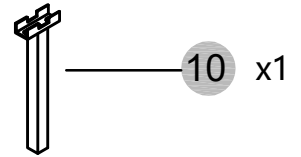
If parts are missing, do not install, Contact us for the missing parts.

Send email with your question to support@idealhouse.vip
We will reply you within 24 hours.




Components ▼

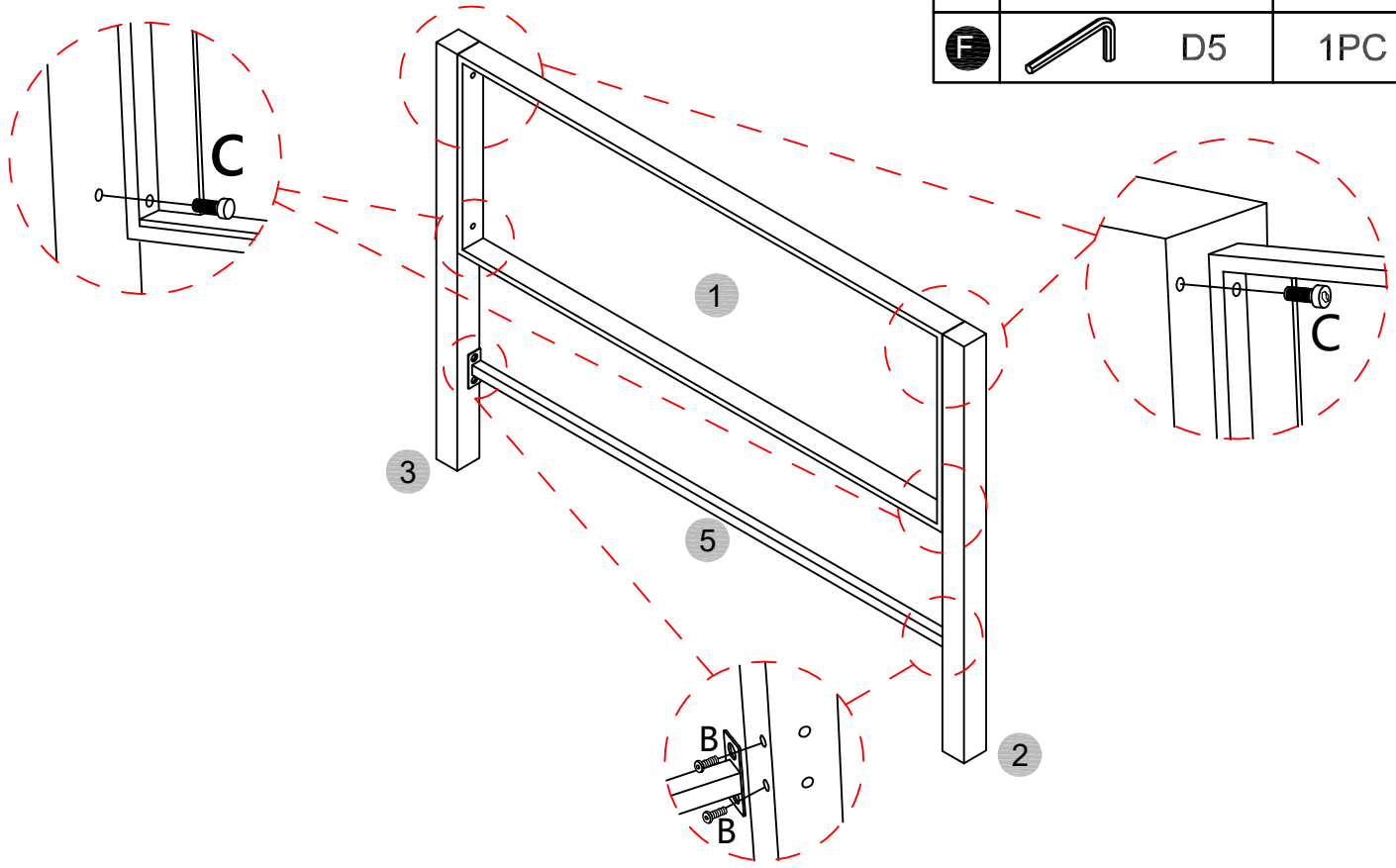


Components ▼





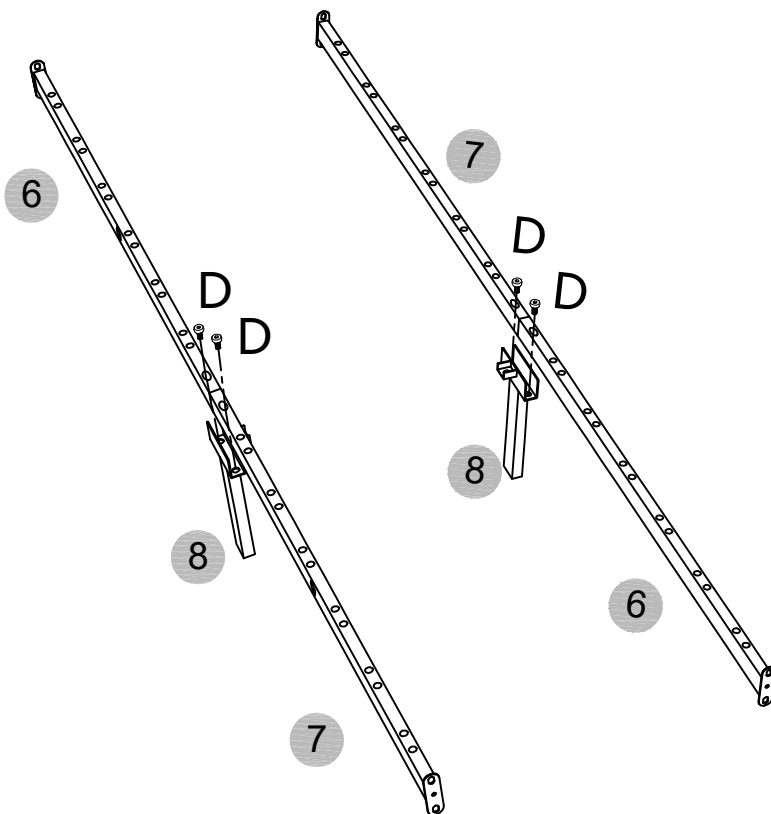
Step 1

B		M8*18	4PCS
C		M8*35	4PCS
F		D5	1PC



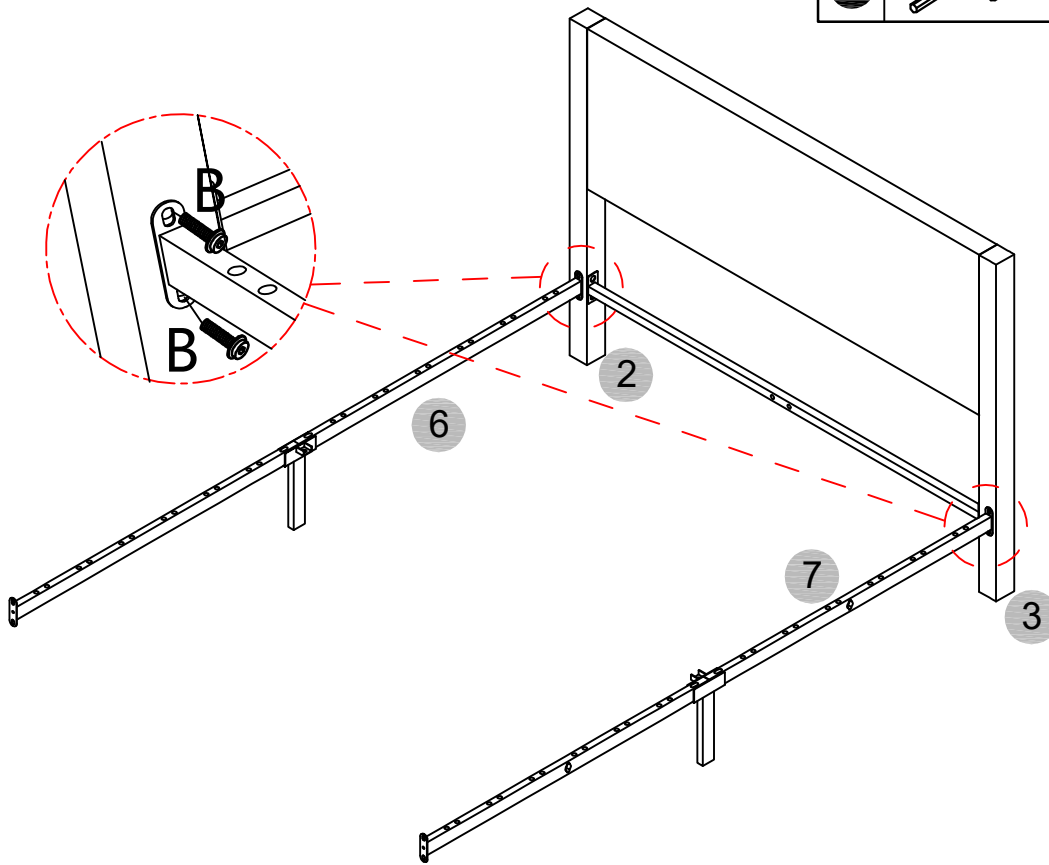
Step 2

D		M8*45	4PCS
F		D5	1PC







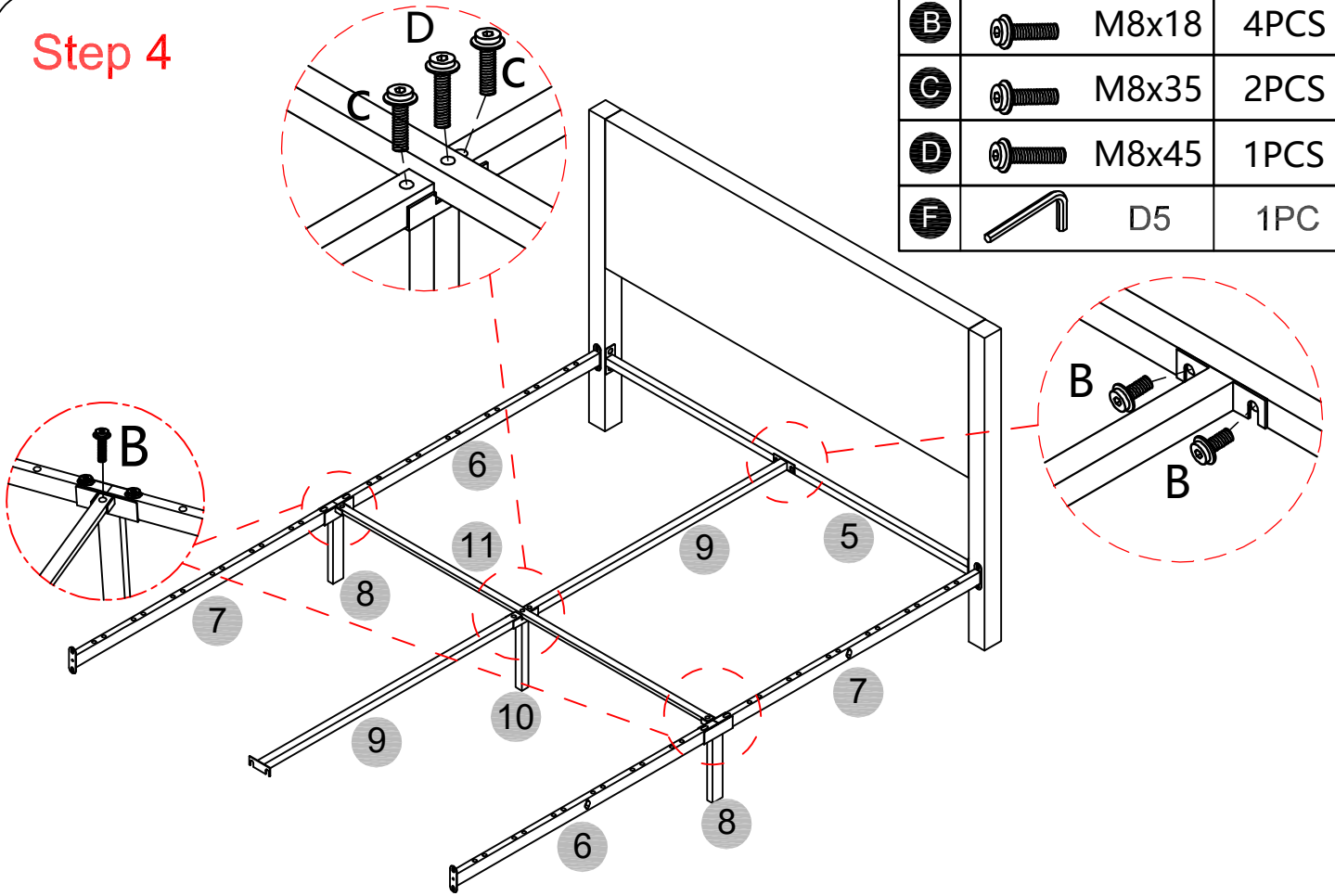
Step 3

B		M8x18	4PCS
F		D5	1PC



Step 4

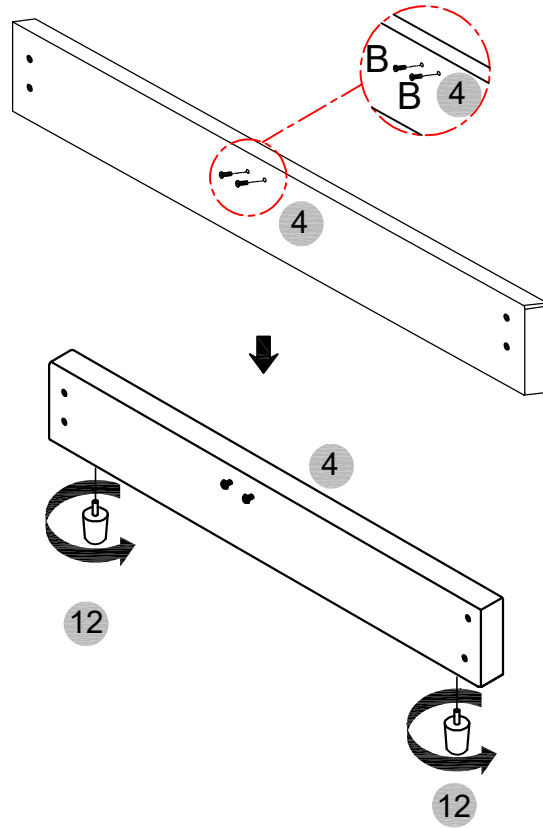
B		M8x18	4PCS
C		M8x35	2PCS
D		M8x45	1PCS
F		D5	1PC





Step 5

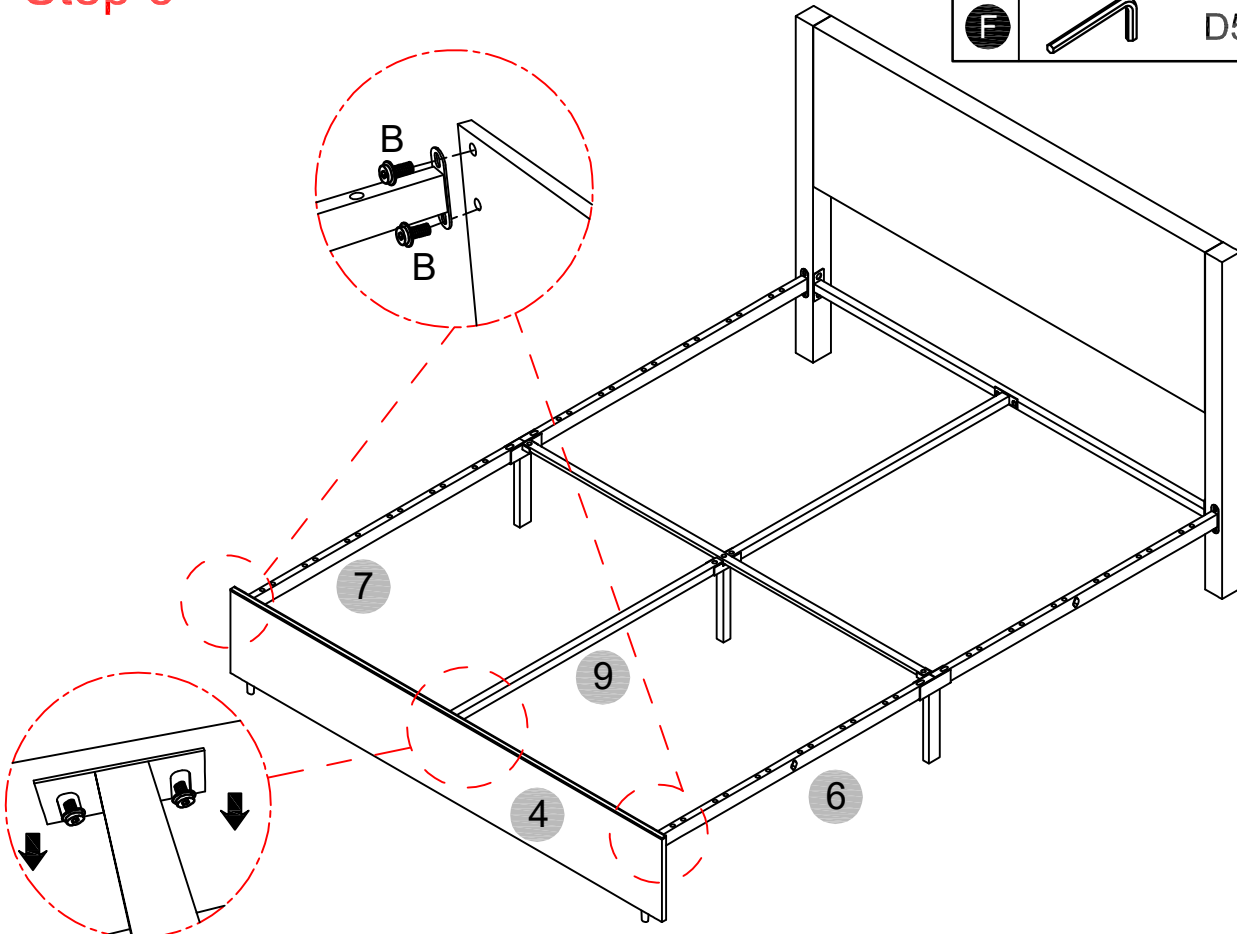
Please pre-install the screws to 50% first.

B		M8x18	2PCS
F		D5	1PC

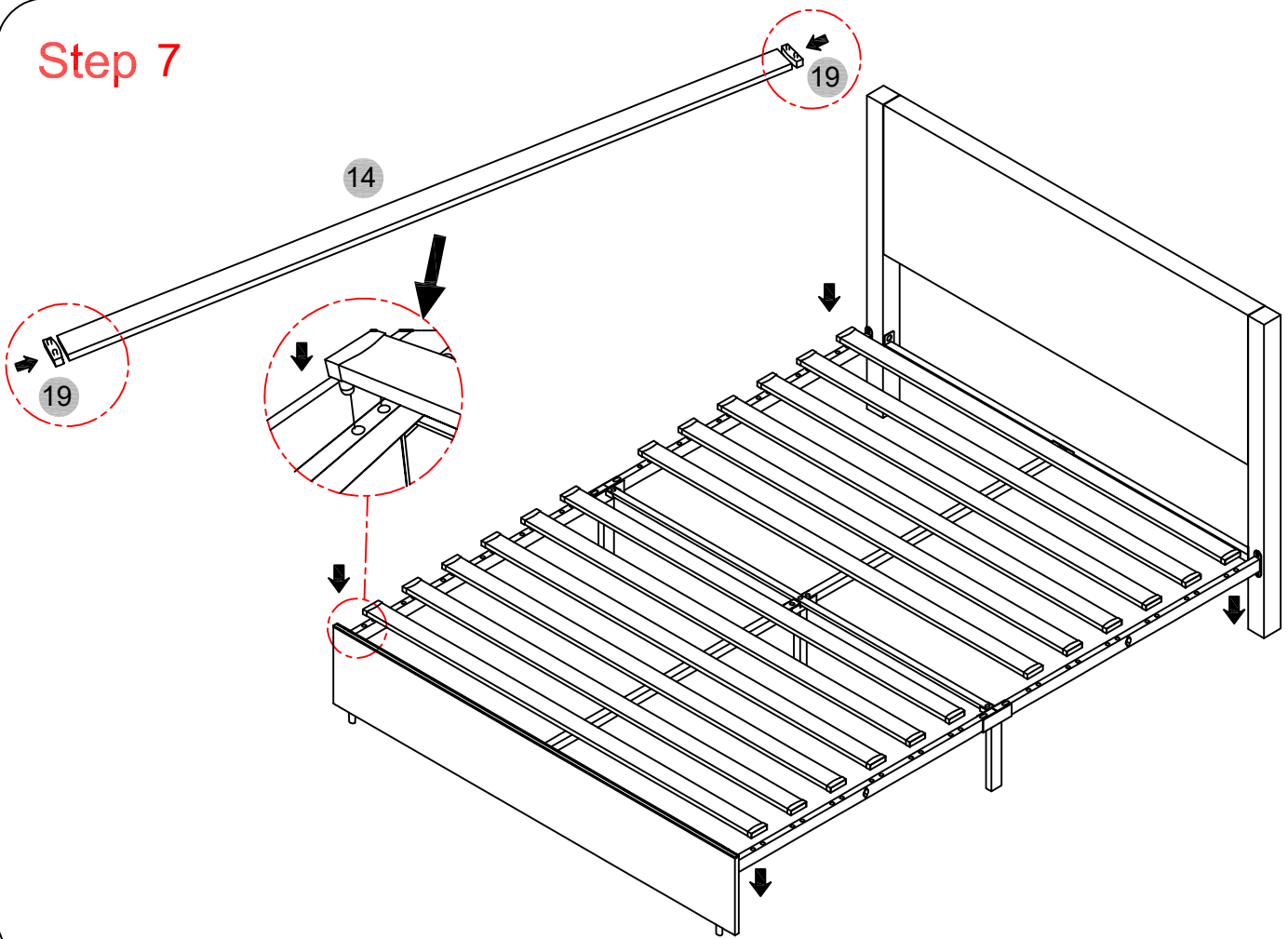


Step 6

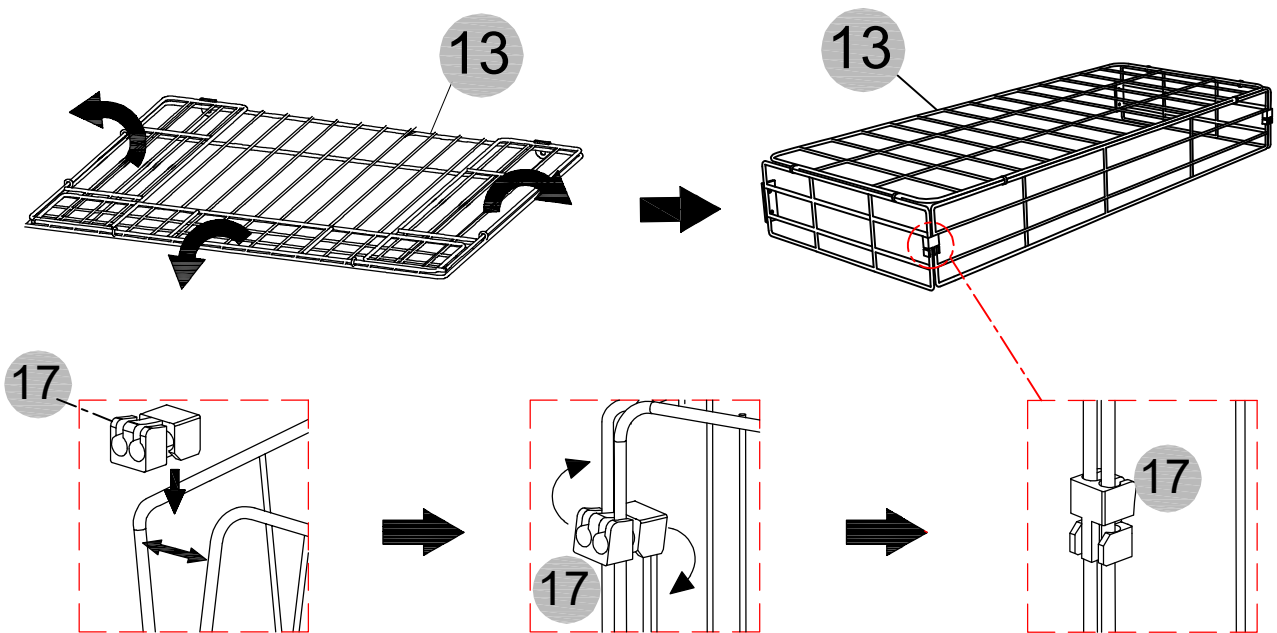
B		M8x18	4PCS
F		D5	1PC



Step 7



Step 8



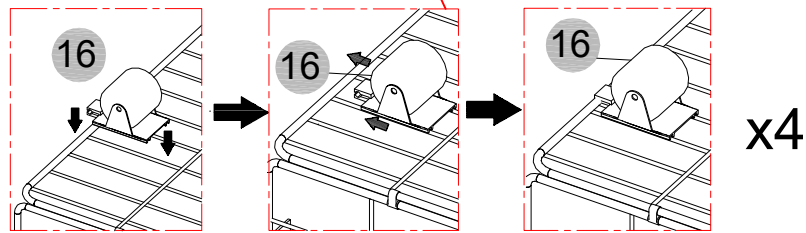
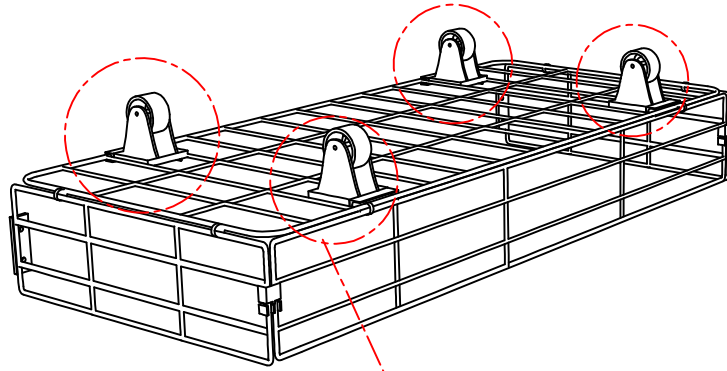
1, Take part 17 and insert it between the left and right steel bars, ensuring a tight fit.

2, Then, rotate part 17 secure the steel bars in the inner and outer slots, ensuring a tight fit.

3, Finally, adjust the position so that the steel bar and the slot of part 17 fit perfectly.

x4

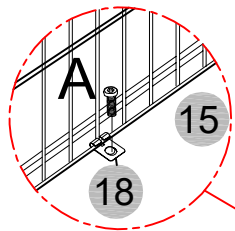
Step 9



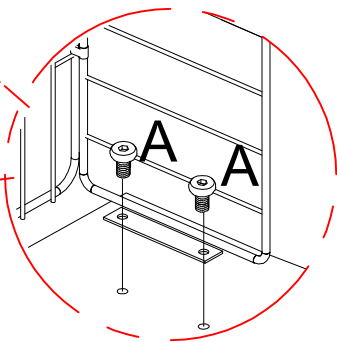
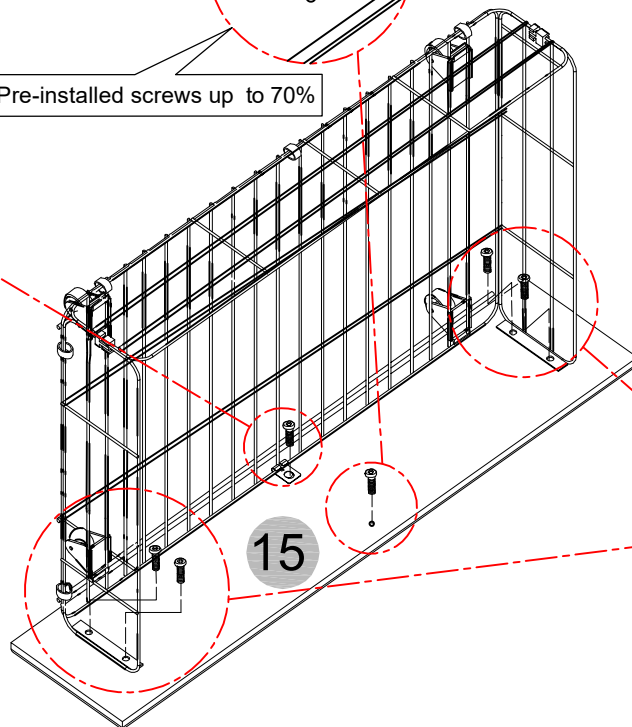
x4

Step 10

A		M6x12	6PCS
E		D4	1PC

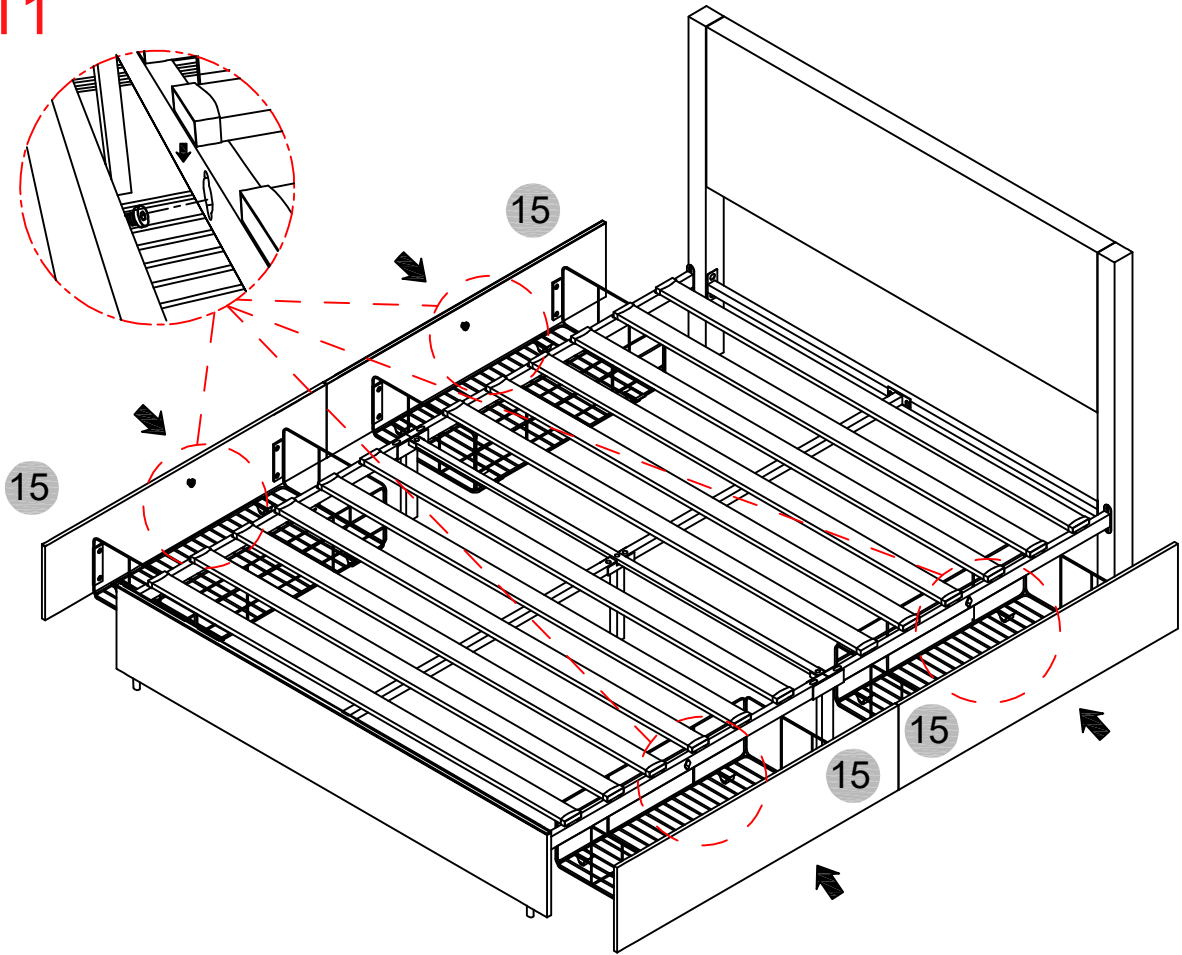


Pre-installed screws up to 70%

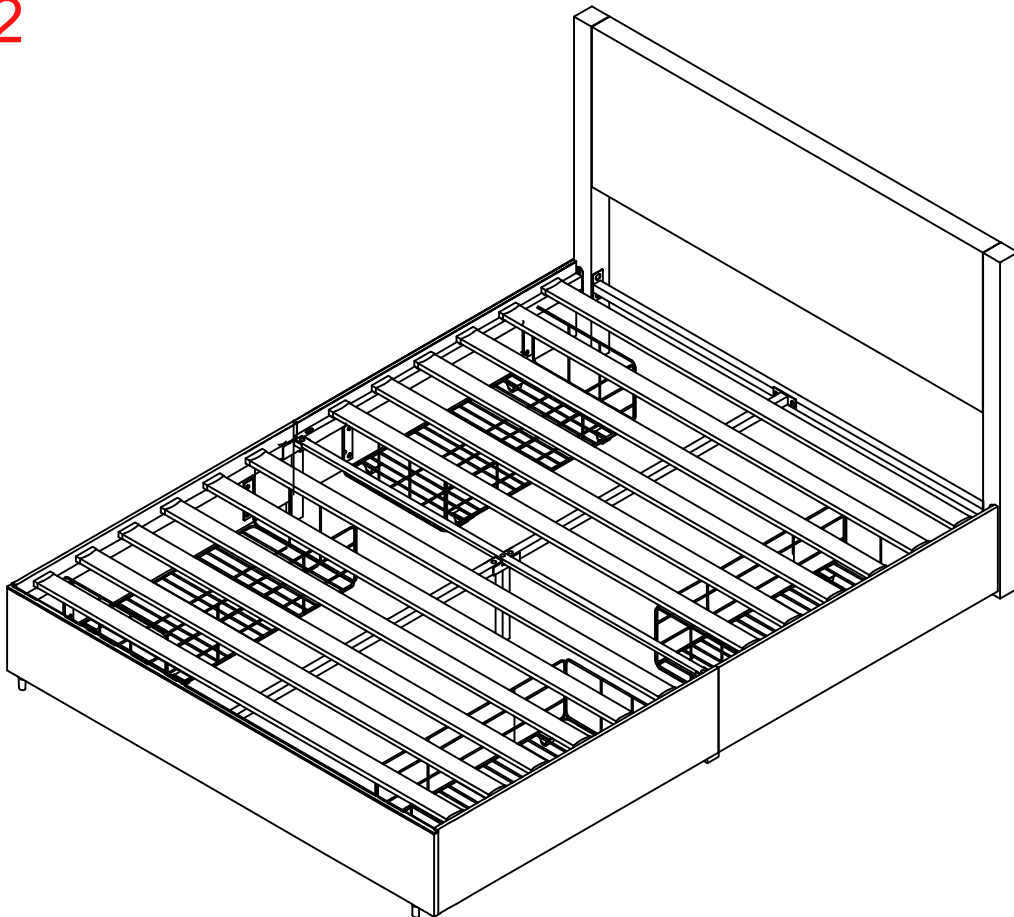


x4

Step 11



Step 12



IMPORTANT SAFETY INFORMATION

Please carefully read the instructions and caution warnings below before assembling the product. Following this guide will ensure that you install, use and maintain the product properly.

- Please keep this installation and user manual/instructions for future reference in case you need to assemble the product.
- Do not assemble if you notice serious damage such as cracks or bends.
- During installation, please use work gloves for hand safety.
- Please assemble the unit on carpeted floor or the flat cardboard box to avoid scratching the surface or your floor while assembling on the floor.
- To assemble, please use the complimentary installation tools (Allen Wrench). Pay more attention to the direction of components at each steps.
- It is recommended that two people work together to assemble the product.
- Please do not tighten the screws up too much, just to 80% before you finish to make the installation go on successfully.

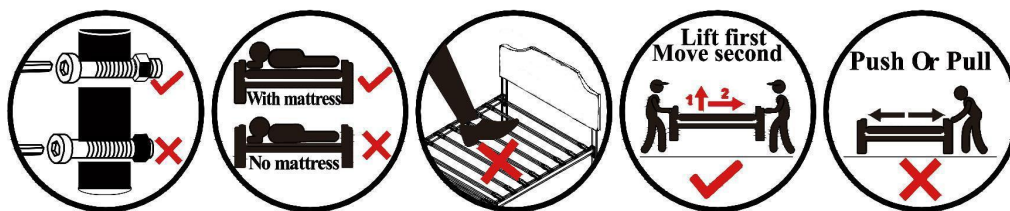
RETURN POLICY

We believe you will absolutely love your new product. But for some reason you want to return your item, please contact us within 30 days after receiving and ensure that the product which you want to return is in a good condition in the original box with all original certificates of purchase, manuals and accessories attached.

HOW TO MAINTAIN YOUR PRODUCT:

- Check the screws of the product are not loose from regular use.
- Do not use sharp instruments, rubbing alcohol, corrosive chemicals, or abrasive cleaners to clean the product.
- Do not keep the product in a damp environment for a long period of time. The damp environment may cause the iron components to rust and the plates to bulge and crack.

CAUTIONS!



How to find us?

Customer Service

Email: support@idealhouse.vip