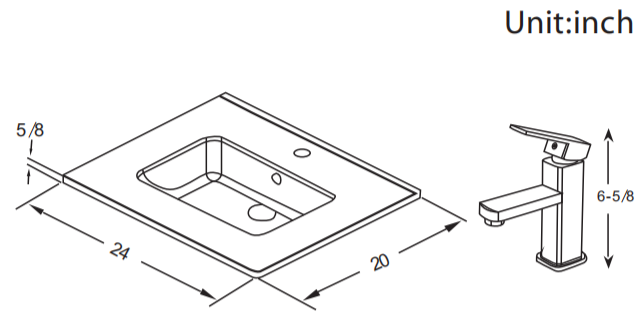


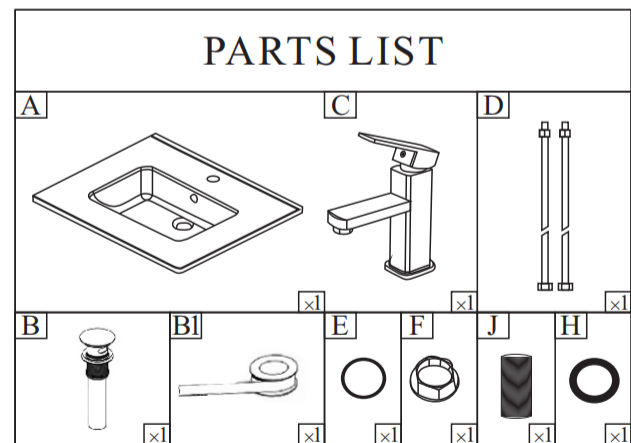
## DIMENSION



## YOU MAY NEED (NOT SUPPLIED)



## PARTS LIST

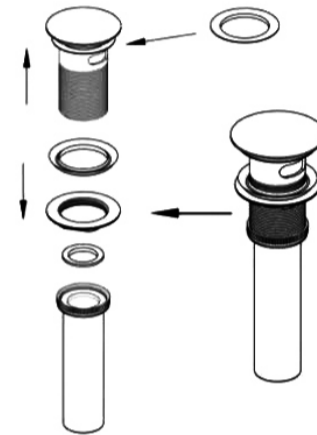


**CAUTION:** Please confirm the parts list before installation

## INSTALLATION

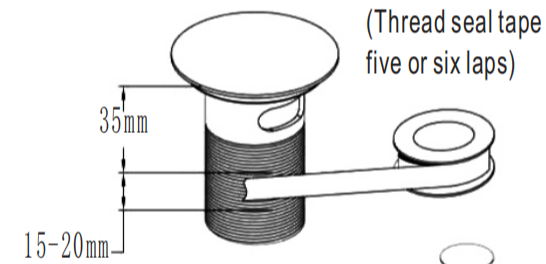
### STEP 1

Take apart the pop up drain and put the thick rubber washer at the top of body.



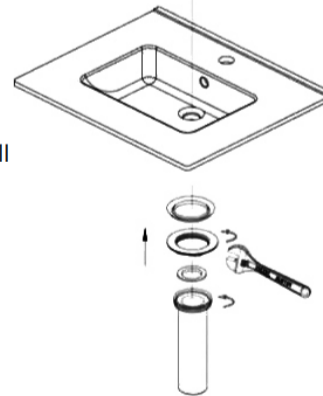
### STEP 2

Apply the thread seal tape and binds five or six laps around the area what the picture shows.



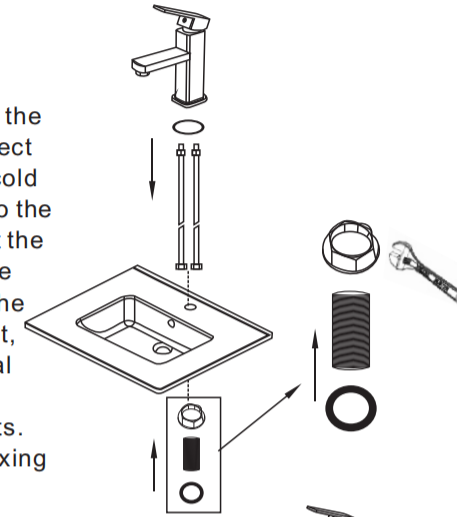
### STEP 3

Insert the drain top into the vessel. Install thick rubber washer and drain nut in turn. Tighten the drain nut and then tail piece.



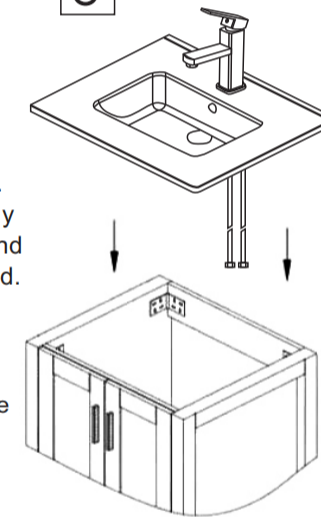
### STEP 4

Position the gasket under the faucet. Connect the hot and cold water pipes to the faucet. Insert the faucet into the hole. Install the rubber gasket, then the metal gasket, then the fixing bolts. Tighten the fixing bolts.

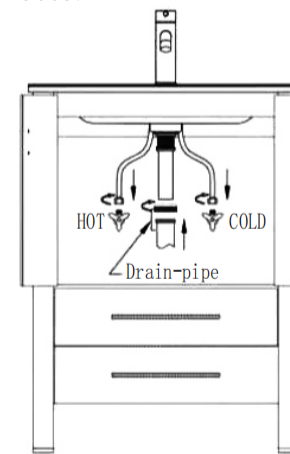


### STEP 5

Carefully position the vessel on the tabletop and press down firmly. Immediately wipe away any excess sealant, and fill any voids as needed.



**CAUTION:** please do not remove the vessel before drying and reserve a installation space for the faucet.



### STEP 6

**Tips:** After the installation, please open the drain and faucet for seal test.