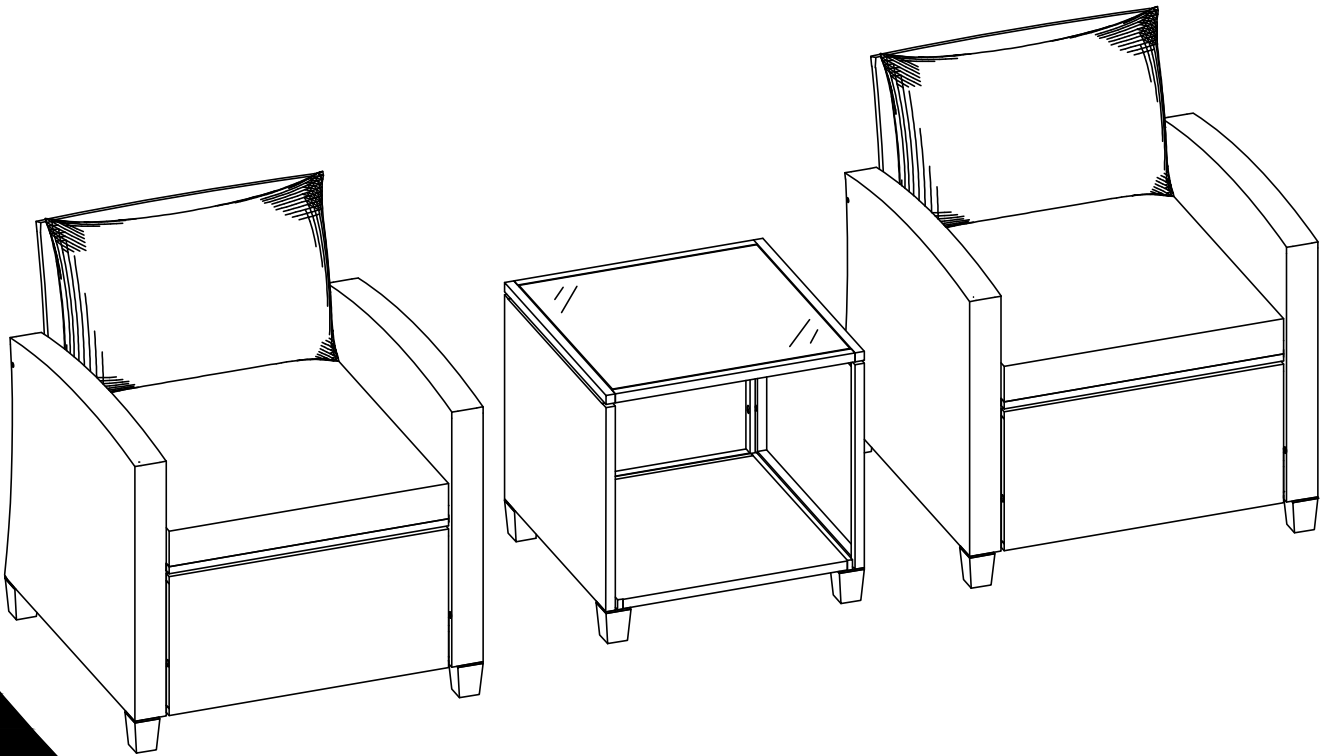
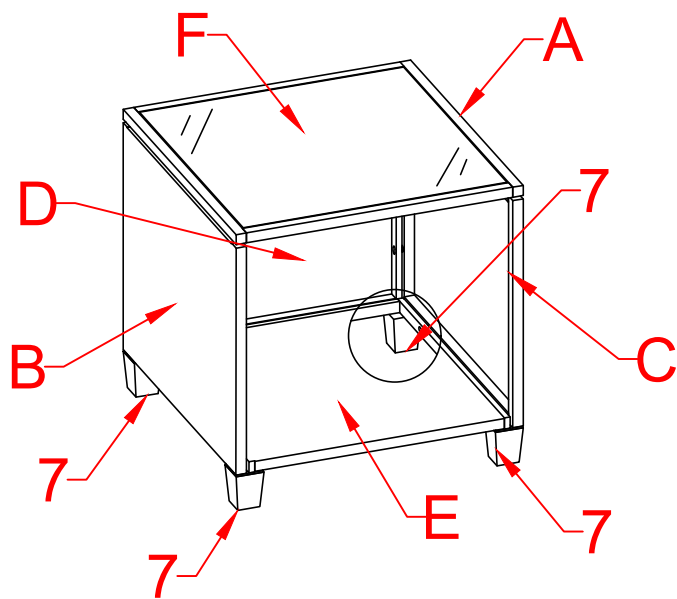


# ASSEMBLY INSTRUCTIONS

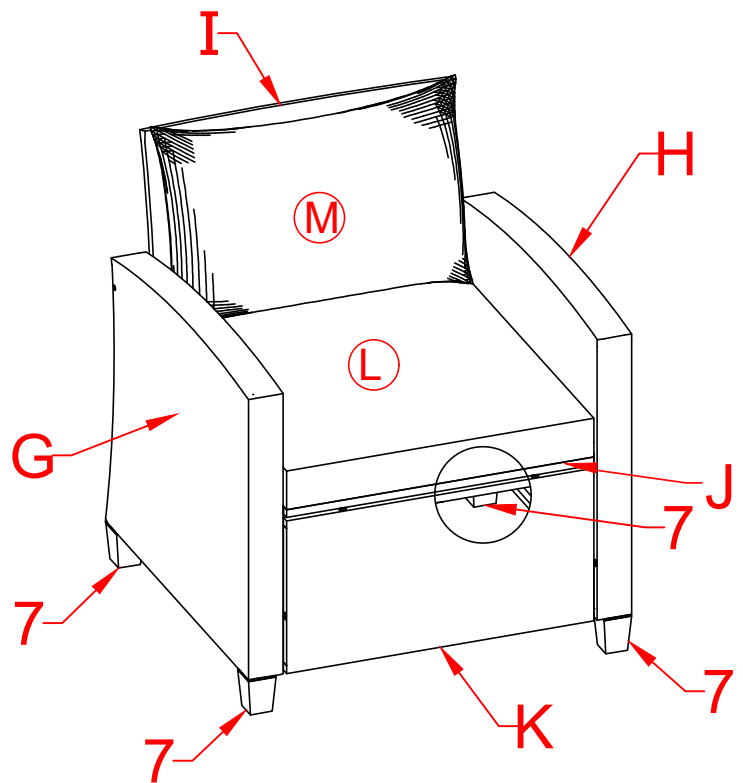
---

- 3-Pieces  
Rattan Coffee Set





● 1- Rattan Table



● 2-Rattan Chairs

## Notice:

1. 50% Tighten before fixing all screws, Allen wrench is recommended instead of an electric drill.
2. Place the item on a flat ground to adjust and make sure it remains stable.
3. Tighten up all screw with tools gradually.
4. If screw are not aligned with holes during assembly, please loosen all the other screws to 50% and continue the assembly process.
5. If the item is not stable, please loosen all screws, adjust it on a flat ground and tighten up all screws again.
6. Note: If one or some screws are fully tighten during assembly, chances are the others will not be aligned with holes. In addition, all the holes are designed to be relatively larger to provide more space for the adjustment of the screws.

# Parts List & Hardware List

Check and make sure you get the components on the list, contact us for any missing

**A**

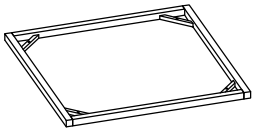


Table Top Frame (1 Pc)

**B**

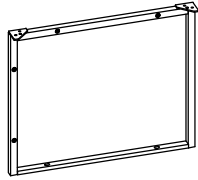


Table Right Frame (1 Pc)

**C**

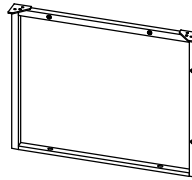


Table Left Frame (1 Pc)

**D**

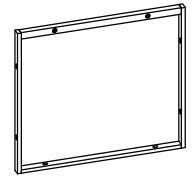


Table Back Frame (1 Pc)

**E**

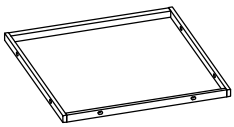


Table Bottom Frame (1 Pc)

**F**

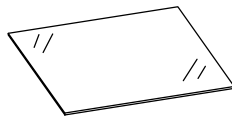
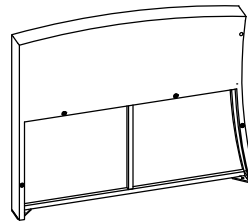


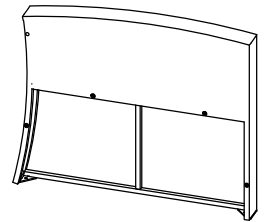
Table Glass (1 Pc)

**G**



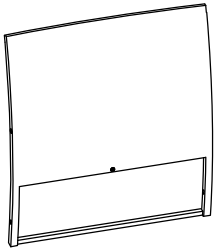
Right Armrest Frame (2 Pcs)

**H**



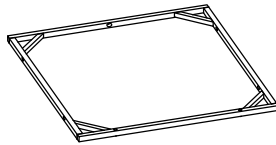
Left Armrest Frame (2 Pcs)

**I**



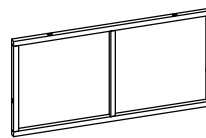
Back Frame (2 Pcs)

**J**



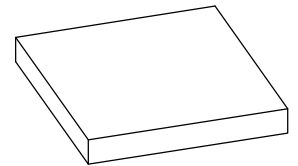
Seat Frame (2 Pcs)

**K**



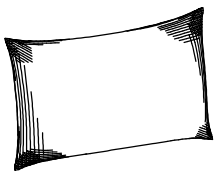
Front Frame (2 Pcs)

**L**



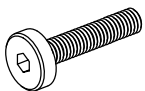
Seat Cushion (2 Pcs)

**M**



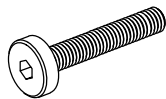
Back Cushion (2 Pcs)

**1**



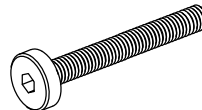
Bolt M6 x 30mm (16 Pcs)

**2**



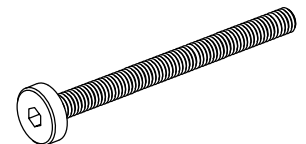
Bolt M6 x 35mm (22 Pcs)

**3**



Bolt M6 x 50mm (12 Pcs)

**4**



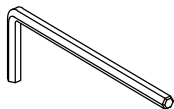
Bolt M6 x 80mm (4 Pcs)

**5**



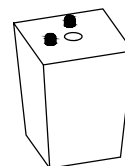
Flat Washer (42 Pcs)

**6**



Allen Key (2 Pcs)

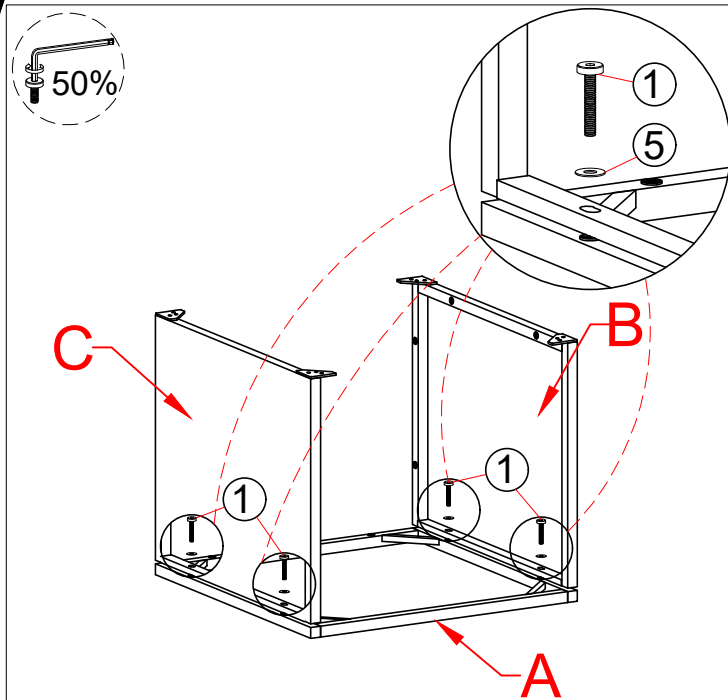
**7**



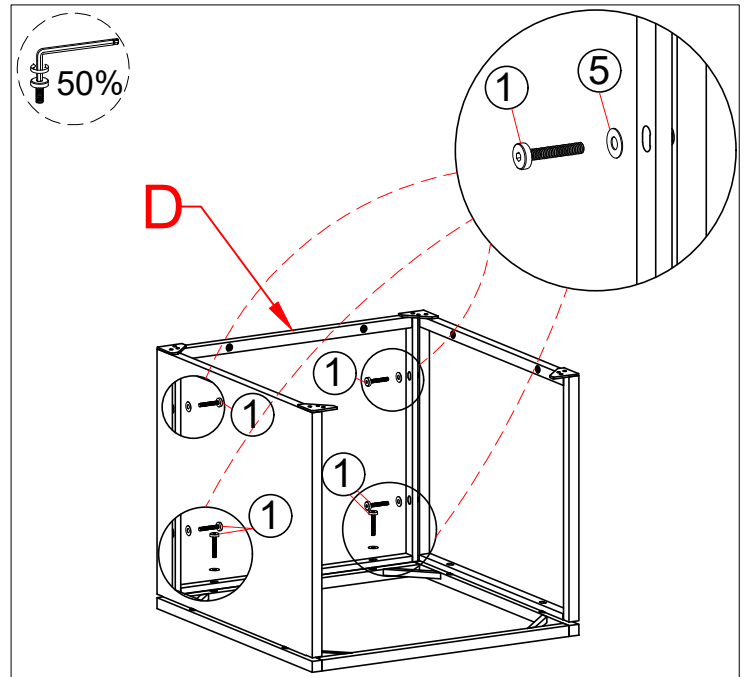
Plastic Leg (12 Pcs)

# Installation step

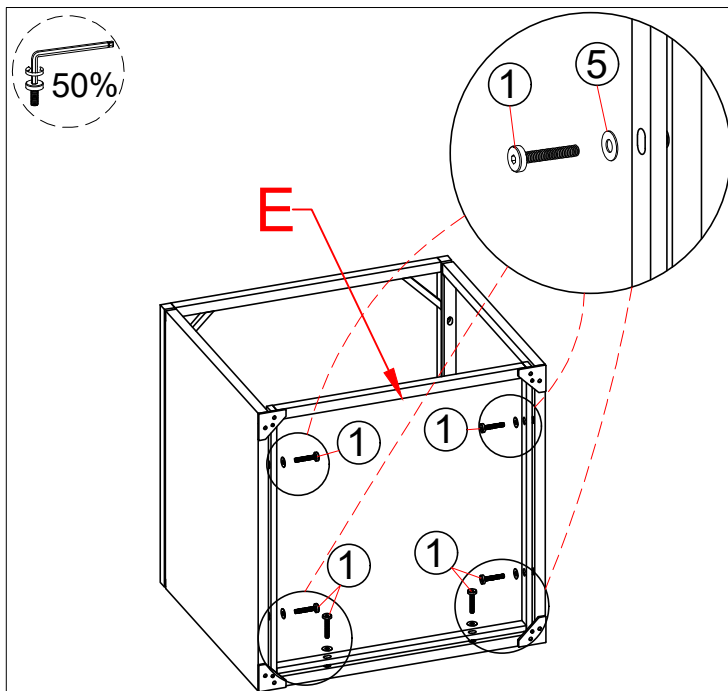
For successful installation, When installing, please do not tighten the screws once, when the screws are all installed, a unified tightten all the screws



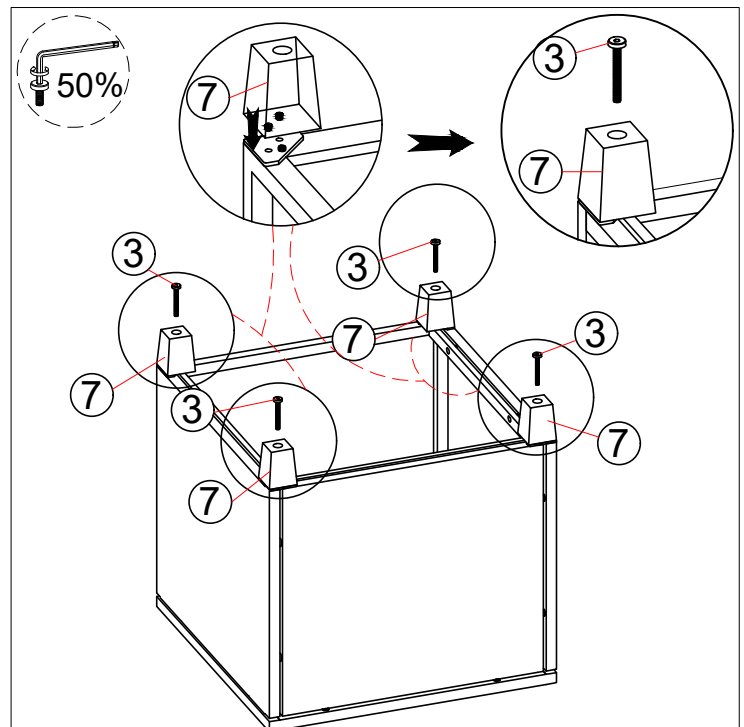
Step 1: Connect Table Top Frame (A) & Table Right Frame (B), Table Left Frame (C), tighten Bolt (1), Flat Washer (5) with Allen Key (6)



Step 2: Connect The Part from Step 1 & Table Back Frame (D), tighten Bolt (1), Flat Washer (5) with Allen Key (6).



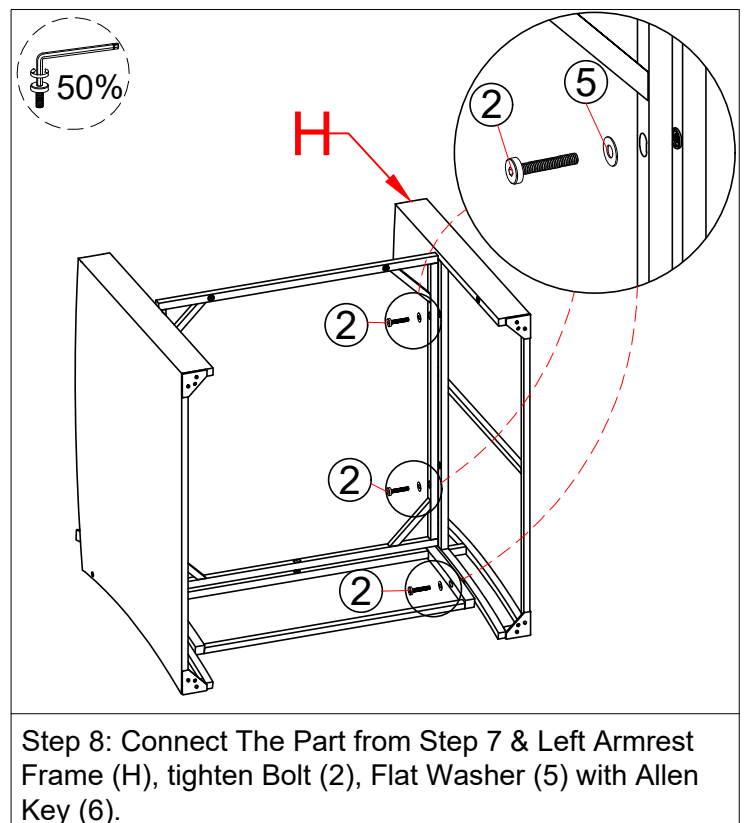
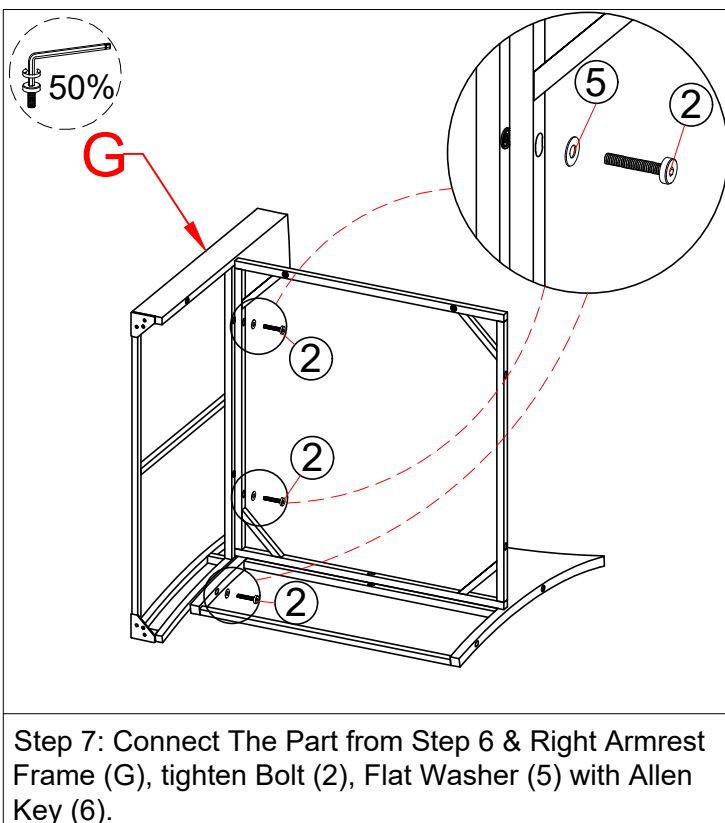
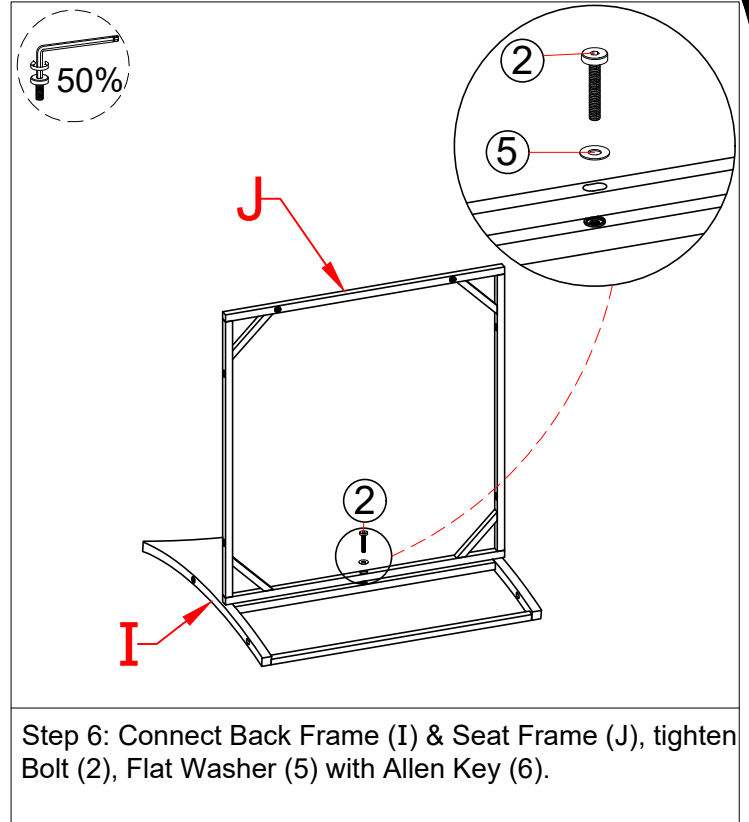
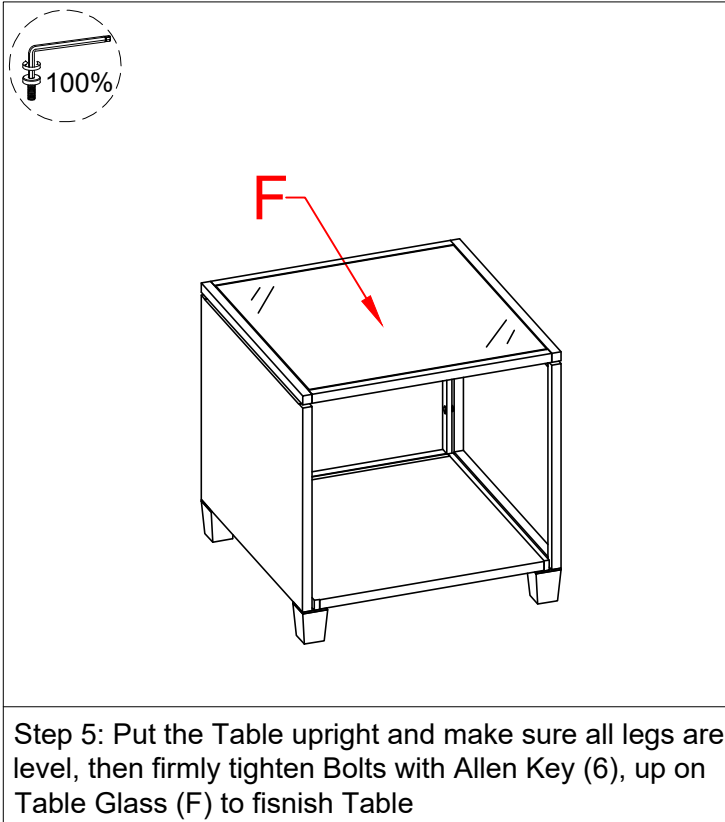
Step 3: Connect The Part from Step 2 & Table Bottom Frame (E), tighten Bolt (1), Flat Washer (5) with Allen Key (6).



Step 4: Connect The Part from Step 3 & Plastic Leg (7), tighten Bolt (3) with Allen Key (6).

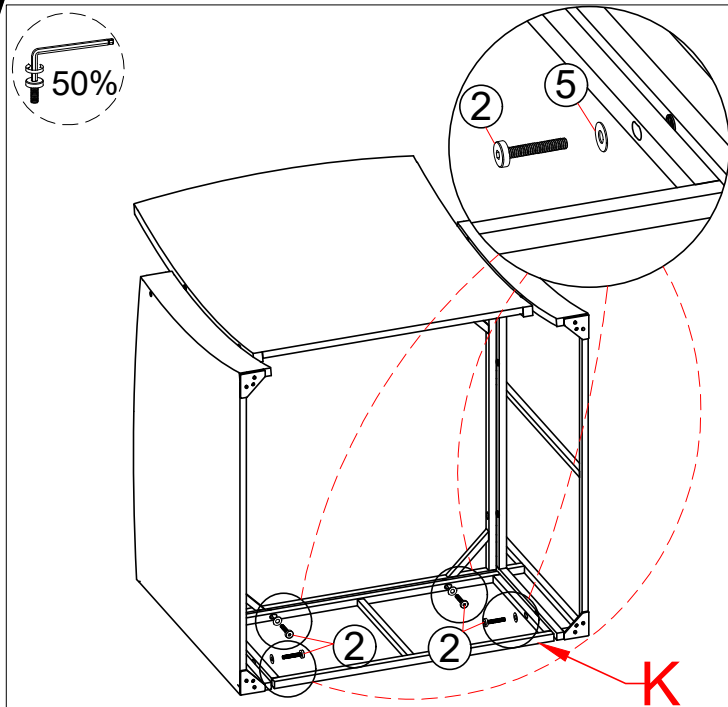
# Installation step

For successful installation, When installing, please do not tighten the screws once, when the screws are all installed, a unified tightten all the screws

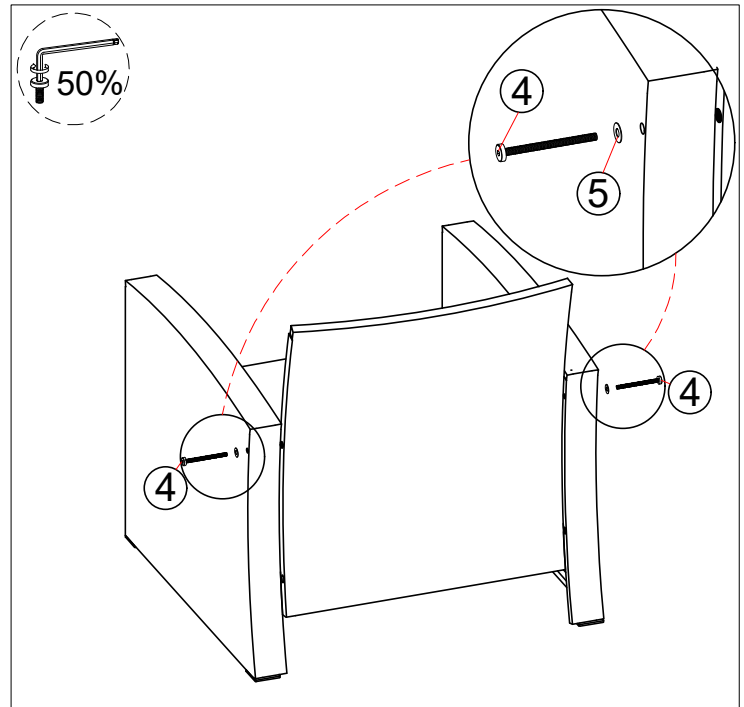


# Installation step

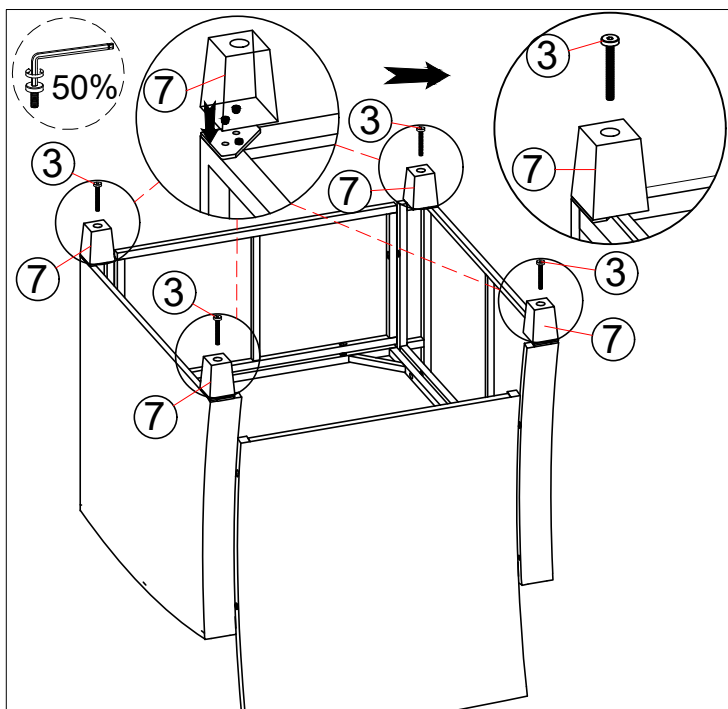
For successful installation, When installing, please do not tighten the screws once, when the screws are all installed, a unified tightten all the screws



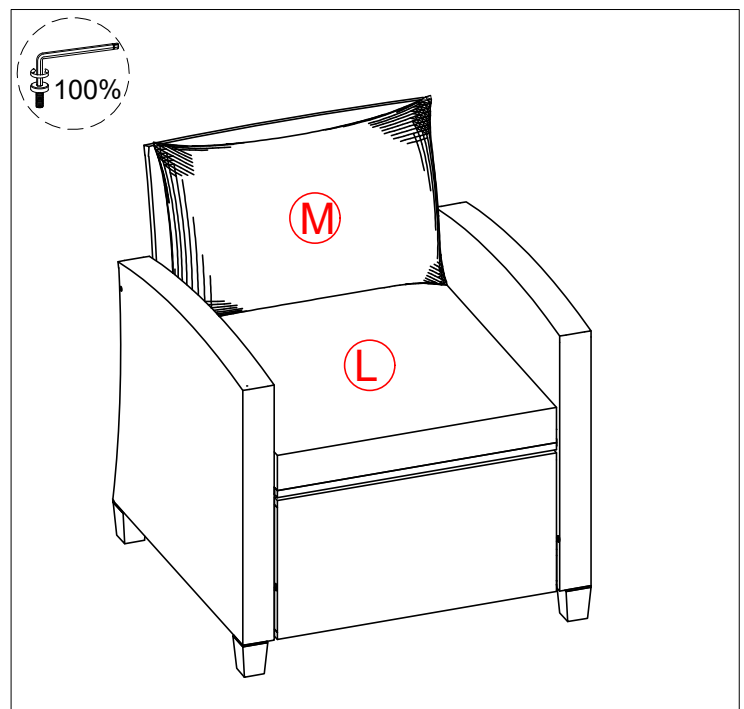
Step 9: Connect The Part from Step 8 & Front Frame (K), tighten Bolt (2), Flat Washer (5) with Allen Key (6).



Step 10: Connect The Part from Step 9 , tighten Bolt (4), Flat Washer (5) with Allen Key (6).



Step 11: Connect The Part from Step 10 & Plastic Leg (7), tighten Bolt (3) with Allen Key (6).



Step 12: Put the Chair upright and make sure all legs are level, then firmly tighten Bolts with Allen Key (6) and Put on Seat Cushion (L) & Back Cushion (M) to finish Chair.