

# Assembly Instruction

## Love seat



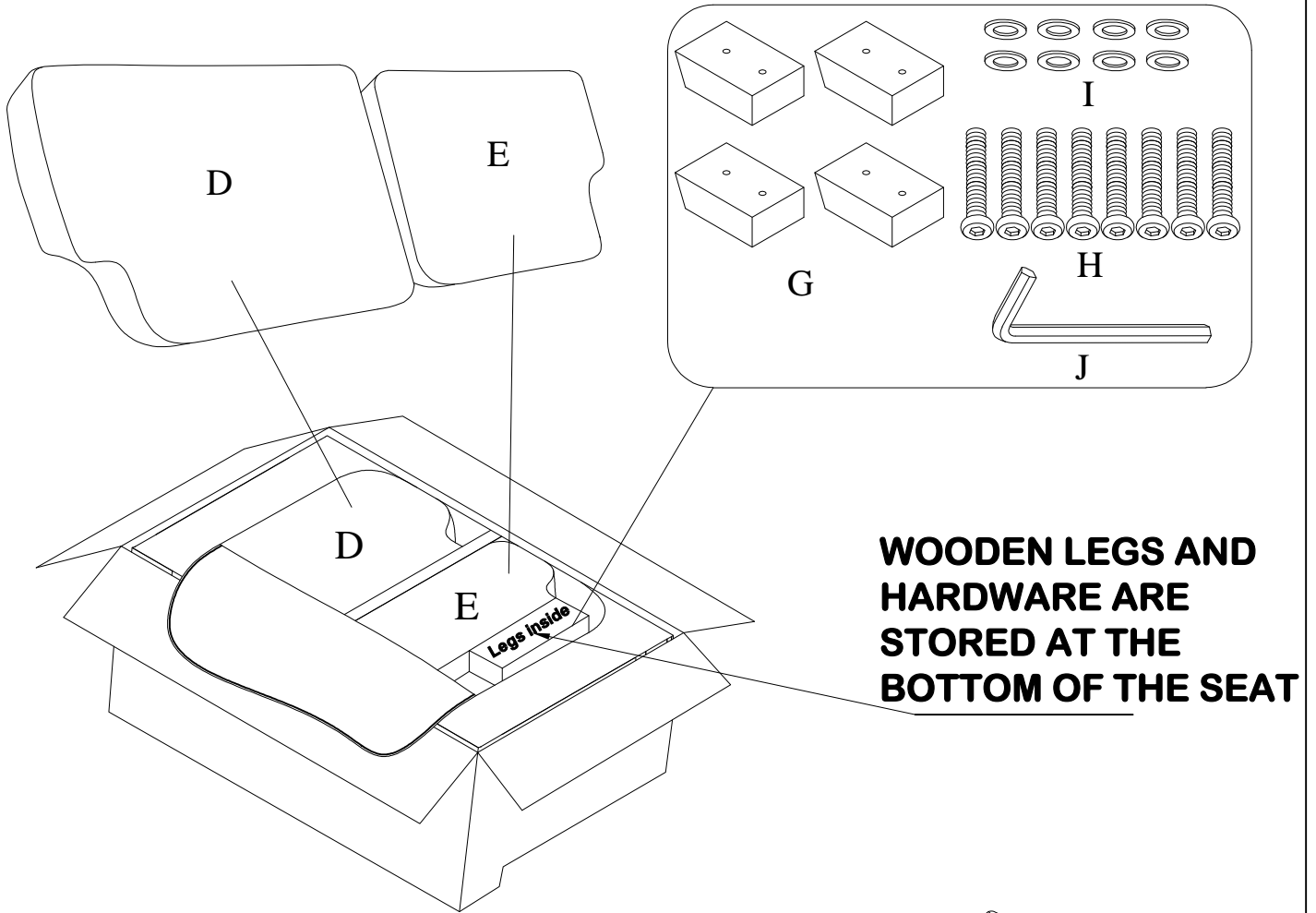
Legs & hardware are packed in the box and stored at the bottom of the seat, please take out for assembly.

Note: Do not use power tools for assembly. Power tools increase the risk of over tightening which lead to splitting or cracking the wood.

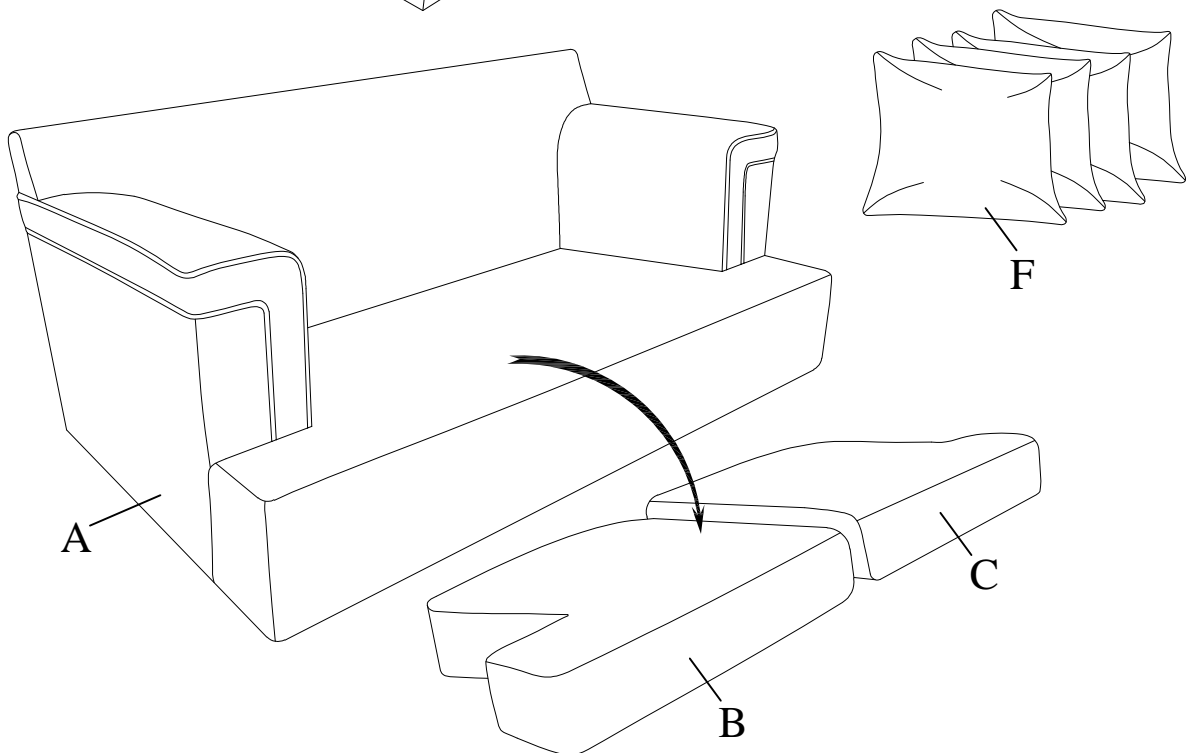
### Component list

No	Drawing	Qty	Description
<b>A</b>		<b>1</b>	<b>Love seat</b>
<b>B</b>		<b>1</b>	<b>Left seat cushion</b>
<b>C</b>		<b>1</b>	<b>Right seat cushion</b>
<b>D</b>		<b>1</b>	<b>Left back cushion</b>
<b>E</b>		<b>1</b>	<b>Right back cushion</b>
<b>F</b>		<b>4</b>	<b>Pillows (18"*18")</b>
<b>G</b>		<b>4</b>	<b>Legs (150*130*100*50mm)</b>
<b>H</b>		<b>8</b>	<b>Bolt 65mm (5/16*65mm)</b>
<b>I</b>		<b>8</b>	<b>Flat washer (5/16*Ø16*1.5mm)</b>
<b>J</b>		<b>1</b>	<b>Allen key (M4*59mm)</b>

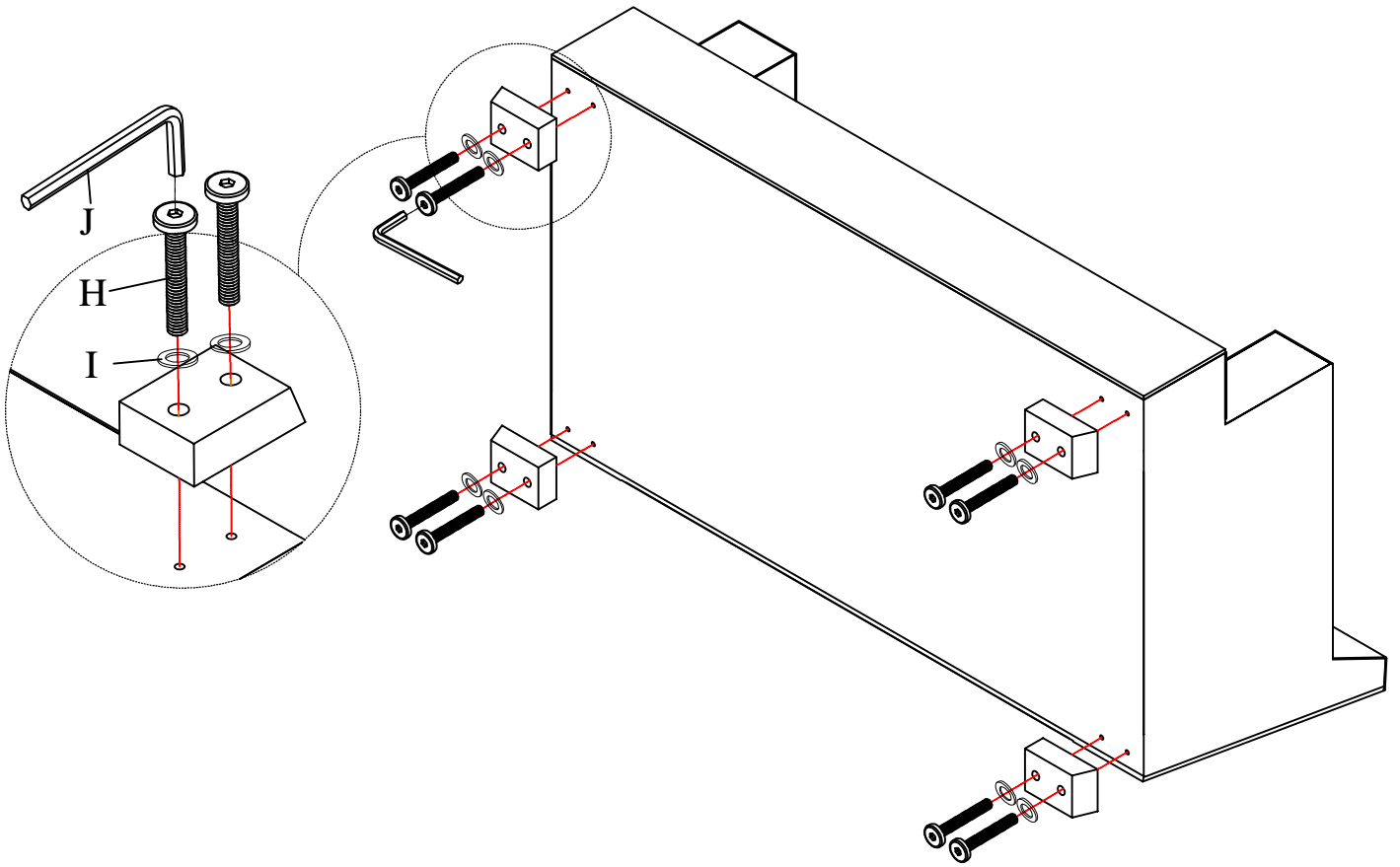
THE PARTS ARE LOCATED INSIDE THE BOX AS BELOW:



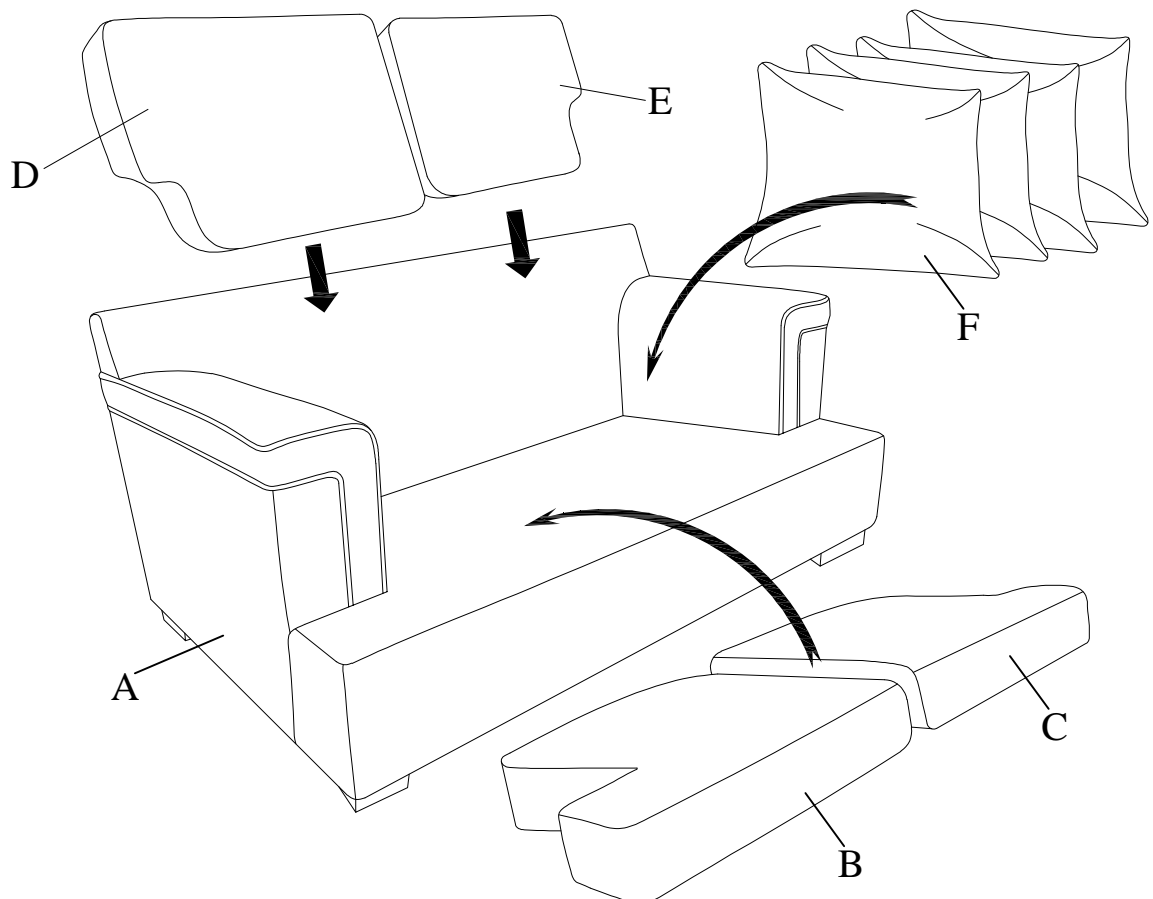
**WOODEN LEGS AND  
HARDWARE ARE  
STORED AT THE  
BOTTOM OF THE SEAT**



### Step #1

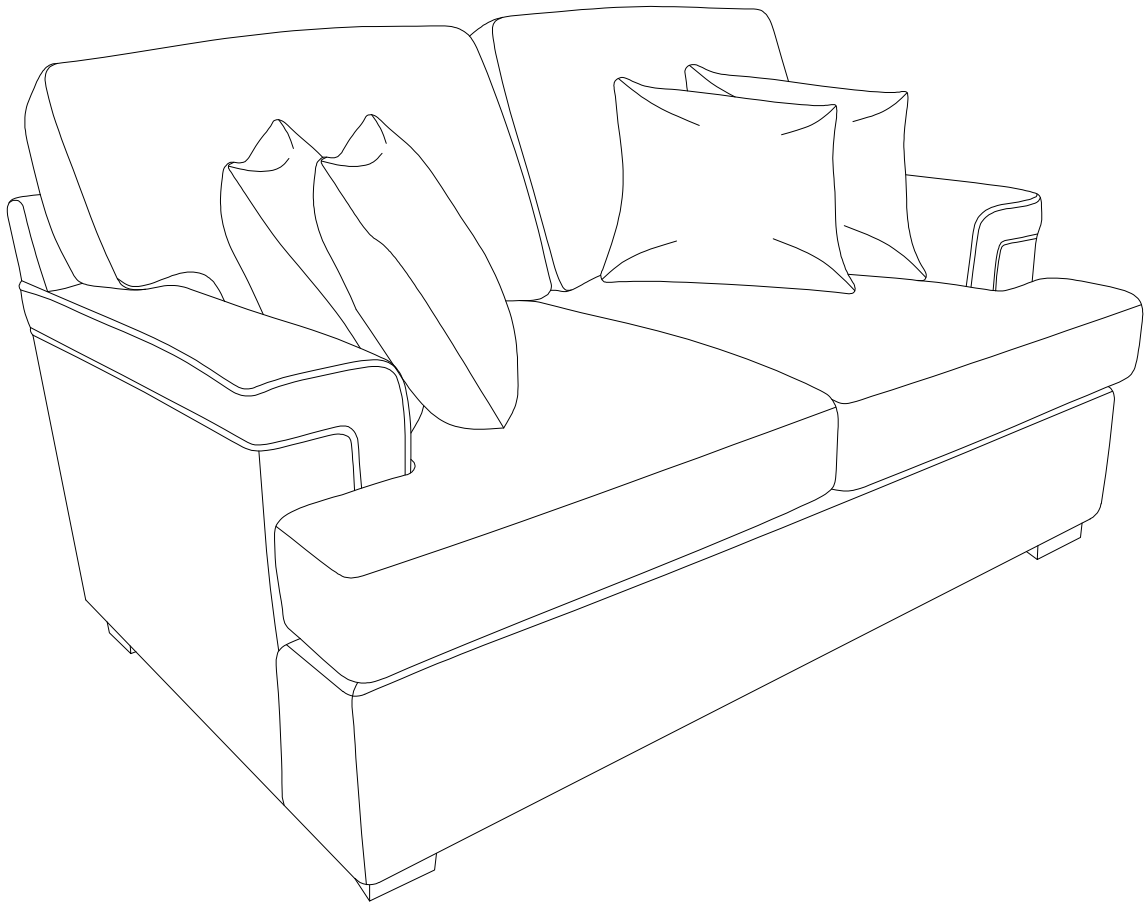


### Step #2



### Step #3

Assembly completed.



## Care Instruction for chenille fabric Furniture:

In order to maintain the original appearance of your chenille fabric, please follow below simple care procedures:

- Avoid exposing furniture directly to sunlight or heating and air conditioning outlets. Sunlight and/or exposure to heating and air conditioning outlets will fade/damage chenille fabrics. Do not place your upholstered furniture too close to windows, radiators, or vents, and be sure to use windows, radiators, or vents.
- Vacuum or wipe with a soft cloth to remove dust.
- Hardware may loosen over time. Periodically check to make sure all connections are tight. Re-tighten if necessary.



For items use on wooden floor, hard surfaces or carpets, it is recommended to Install protective pads under all legs and supports to avoid/prevent from damages/scratches and discoloration.

# Assembly Instruction

## Sofa



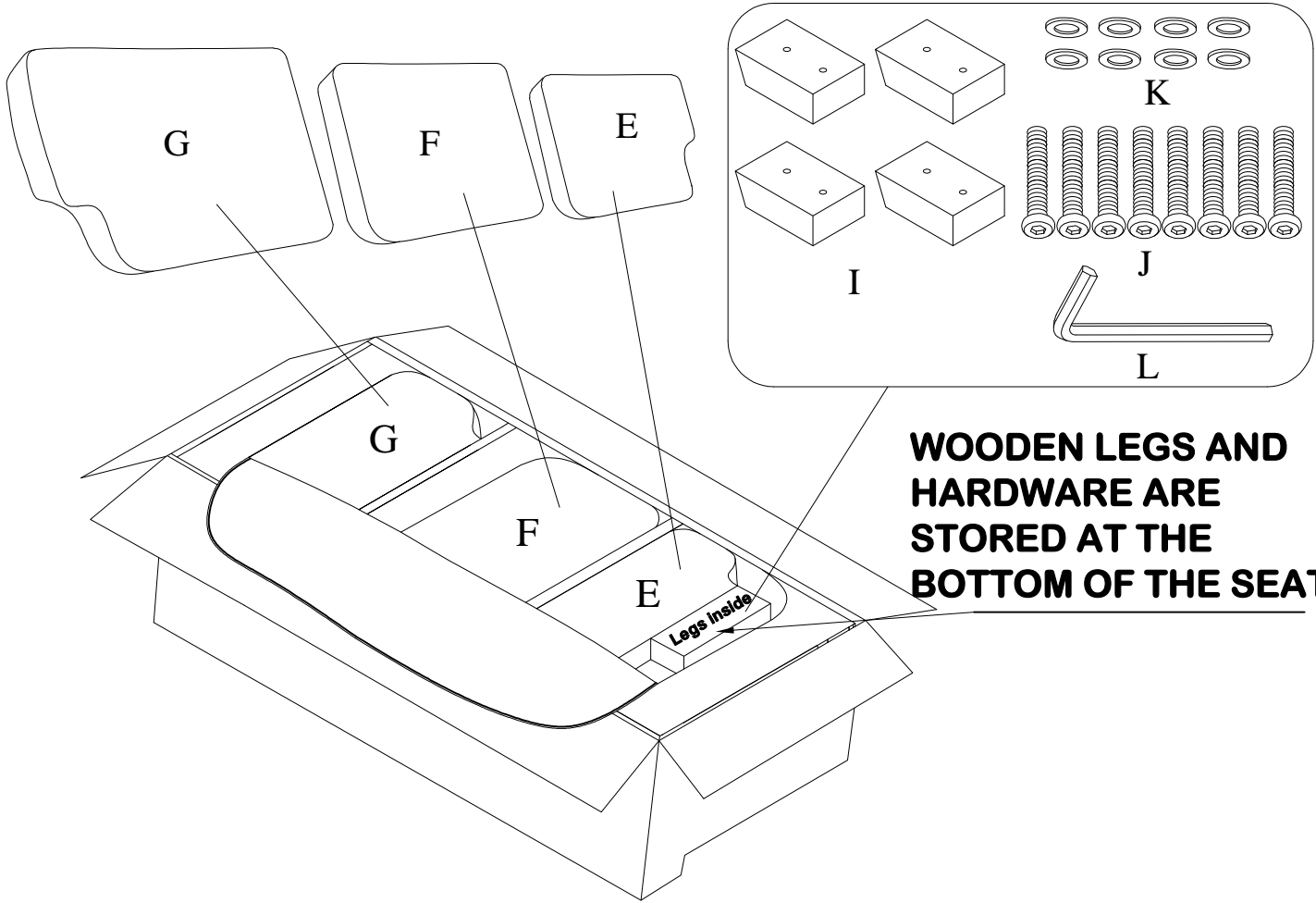
Legs & hardware are packed in the box and stored at the bottom of the seat, please take out for assembly.

Note: Do not use power tools for assembly. Power tools increase the risk of over tightening which lead to splitting or cracking the wood.

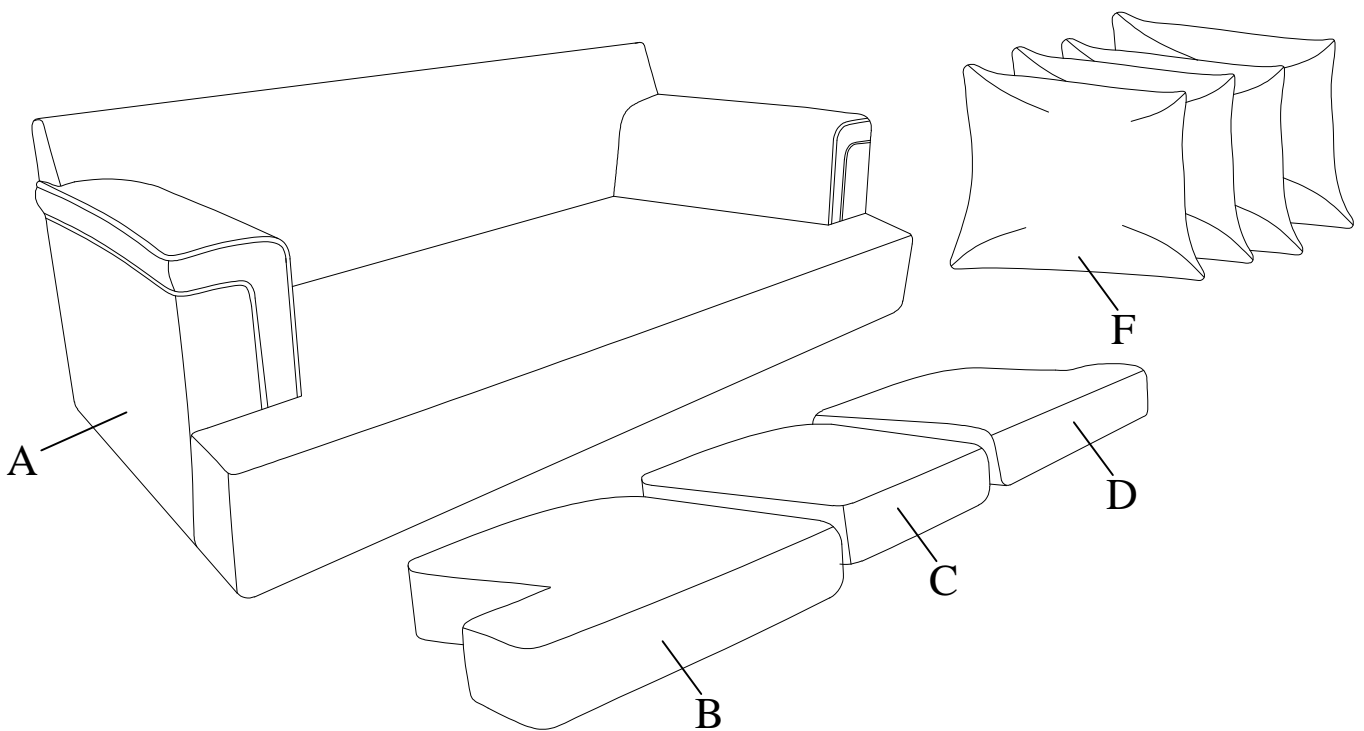
### Component list

No	Drawing	Qty	Description
<b>A</b>		<b>1</b>	<b>Sofa</b>
<b>B</b>		<b>1</b>	<b>Left seat cushion</b>
<b>C</b>		<b>1</b>	<b>Middle seat cushion</b>
<b>D</b>		<b>1</b>	<b>Right seat cushion</b>
<b>E</b>		<b>1</b>	<b>Left back cushion</b>
<b>F</b>		<b>1</b>	<b>Middle back cushion</b>
<b>G</b>		<b>1</b>	<b>Right back cushion</b>
<b>H</b>		<b>4</b>	<b>Pillows (18"*18")</b>
<b>I</b>		<b>4</b>	<b>Legs (150*130*100*50mm)</b>
<b>J</b>		<b>8</b>	<b>Bolt 65mm (5/16*65mm)</b>
<b>K</b>		<b>8</b>	<b>Flat washer (5/16*Ø16*1.5mm)</b>
<b>L</b>		<b>1</b>	<b>Allen key (M4*59mm)</b>

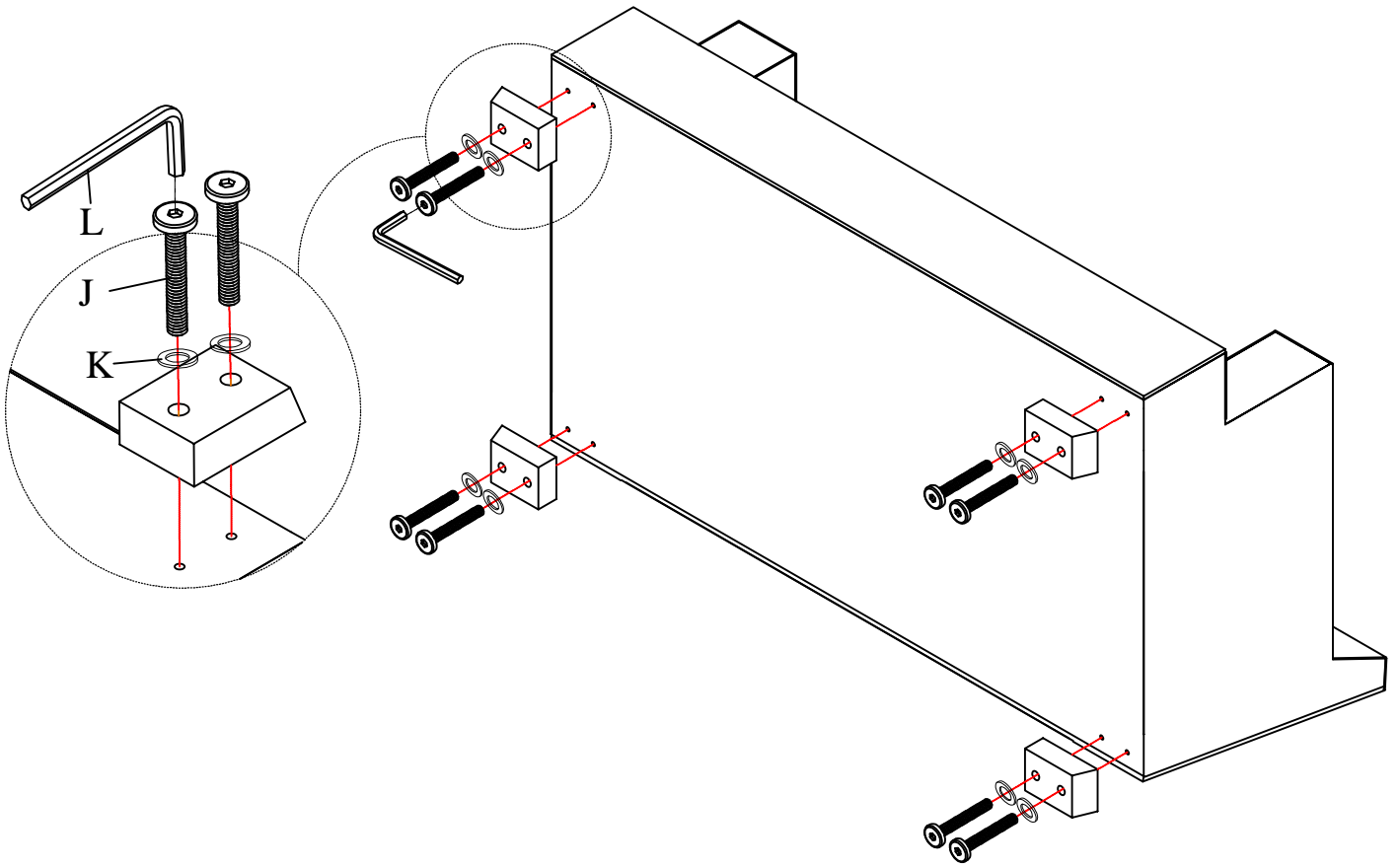
THE PARTS ARE LOCATED INSIDE THE BOX AS BELOW:



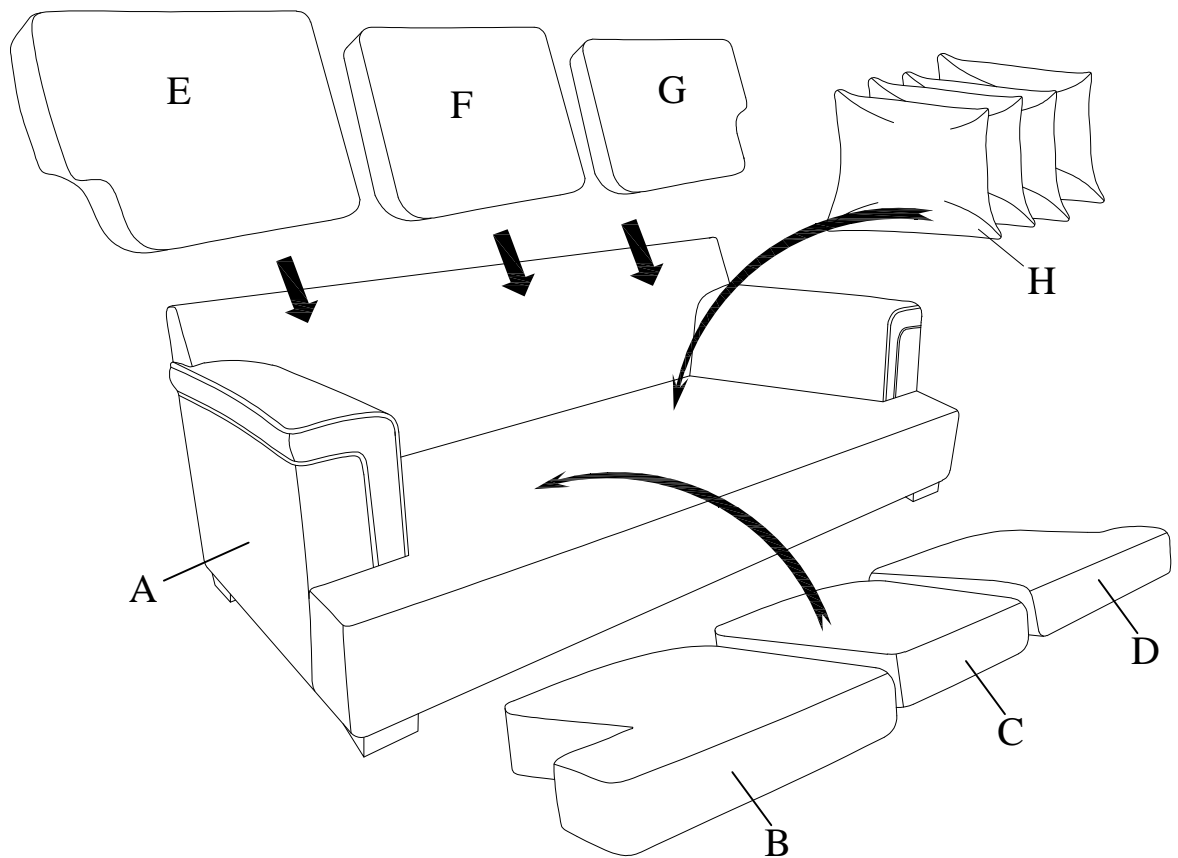
**WOODEN LEGS AND  
HARDWARE ARE  
STORED AT THE  
BOTTOM OF THE SEAT**



### Step #1

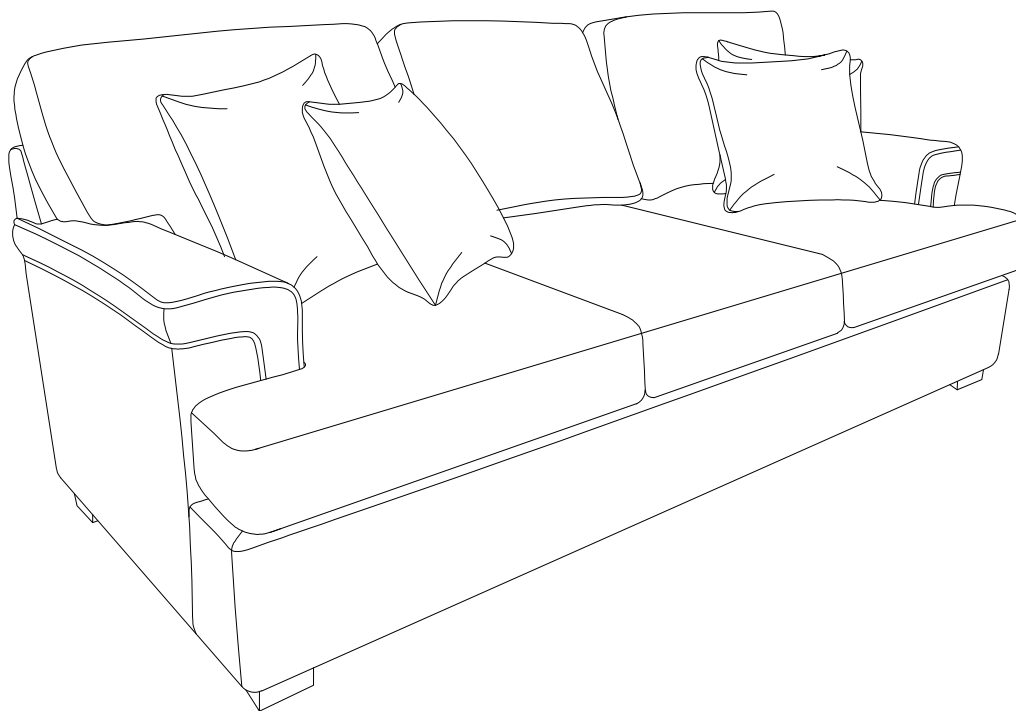


### Step #2



### Step #3

Assembly completed.



## Care Instruction for chenille fabric Furniture:

In order to maintain the original appearance of your chenille fabric, please follow below simple care procedures:

- Avoid exposing furniture directly to sunlight or heating and air conditioning outlets. Sunlight and/or exposure to heating and air conditioning outlets will fade/damage chenille fabrics. Do not place your upholstered furniture too close to windows, radiators, or vents, and be sure to use windows, radiators, or vents.
- Vacuum or wipe with a soft cloth to remove dust.
- Hardware may loosen over time. Periodically check to make sure all connections are tight. Re-tighten if necessary.



For items use on wooden floor, hard surfaces or carpets, it is recommended to Install protective pads under all legs and supports to avoid/prevent from damages/scratches and discoloration.