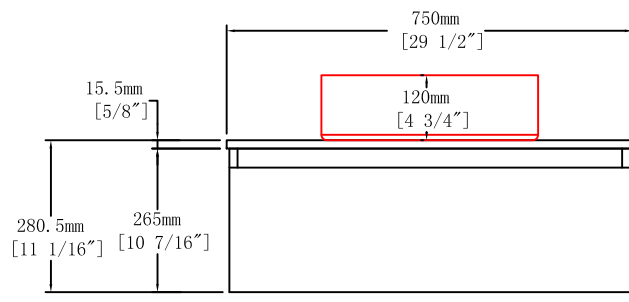
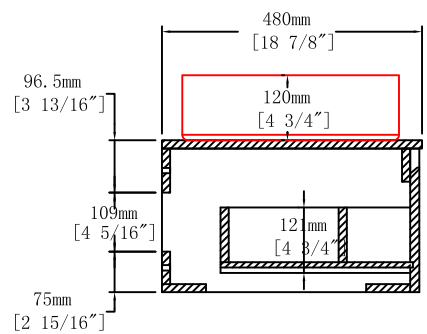
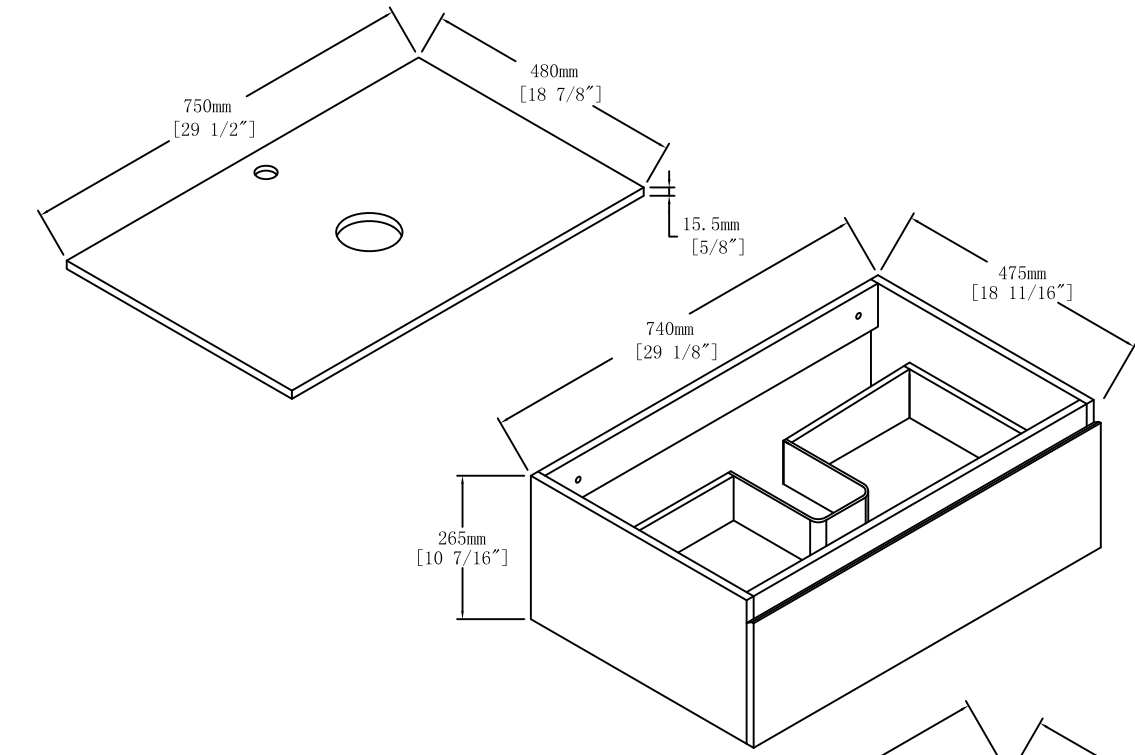


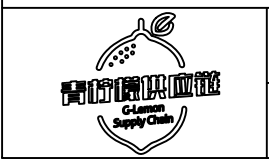
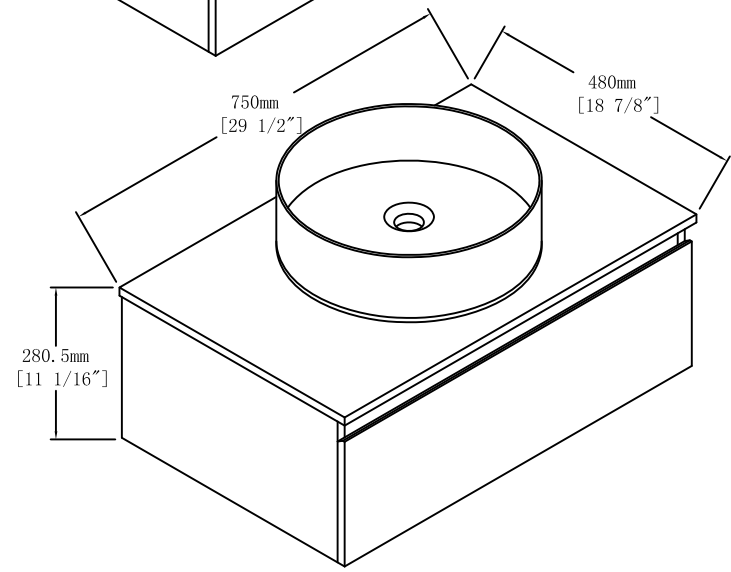
Top View



Front View



Side View



Item NO.	BV B11830
Project	

Version	V1
Date	2025-1-8