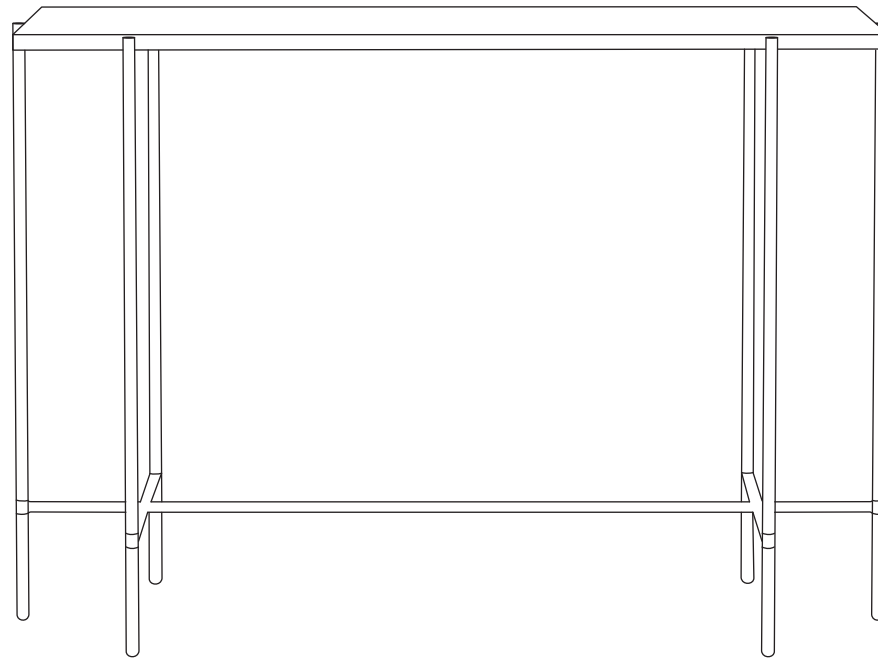







MARBLE TOP CONSOLE TABLE

Assembly Instructions



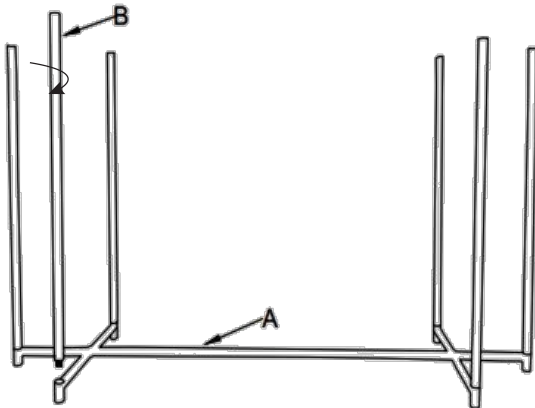
Every thing we make is incredibly simple to set up, including your new Console. You won't need any addition tools.

Parts List

- A x1
Top Frame 
- B x4
Leg 
- C x1
Shelf 
- D x4
Feet 
- E x1
Top Marble 

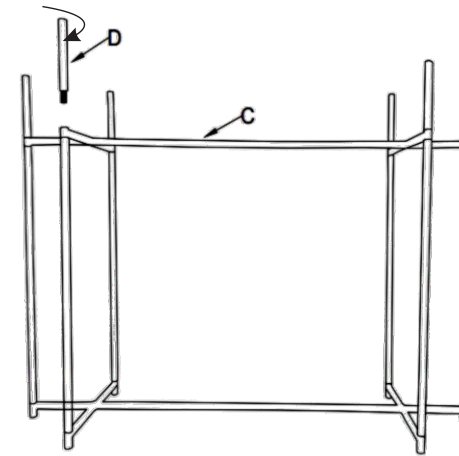
1

Place the Top Frame (A) upside down on a soft and clean Surface. Screw all the Legs (B) into the screw holes on the Top Frame (A). Do not over tighten.



2

Attached the Shelf (C) onto the Legs (B). Screw the Feet (D) in a clockwise direction into the Shelf (C).



3

Turn the table upright. Place the Top Marble (E) onto the Top Frame (A). This product may require periodic tightening. Place the console table in the place where you will use it. We'd love to see it.

