

HOW TO MEASURE YOUR CUSHIONS

STEP 1

Measure Your Furniture



1
THE WIDTH
Between the arms



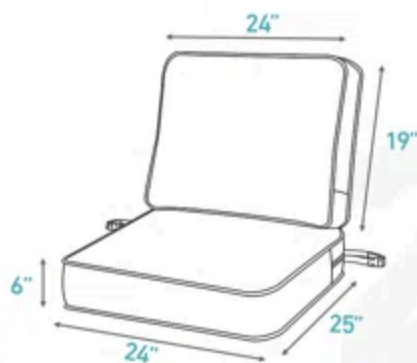
2
THE DEPTH
From the front to
the back of the seat



3
THE HEIGHT
From the top to
bottom of the back

STEP 2

Choose The Cushion Size According To Your Furniture Measurements



STEP 3

You Will Get a Cushion That Exactly Matches Your Chair (Up To 1/2" Larger)

