

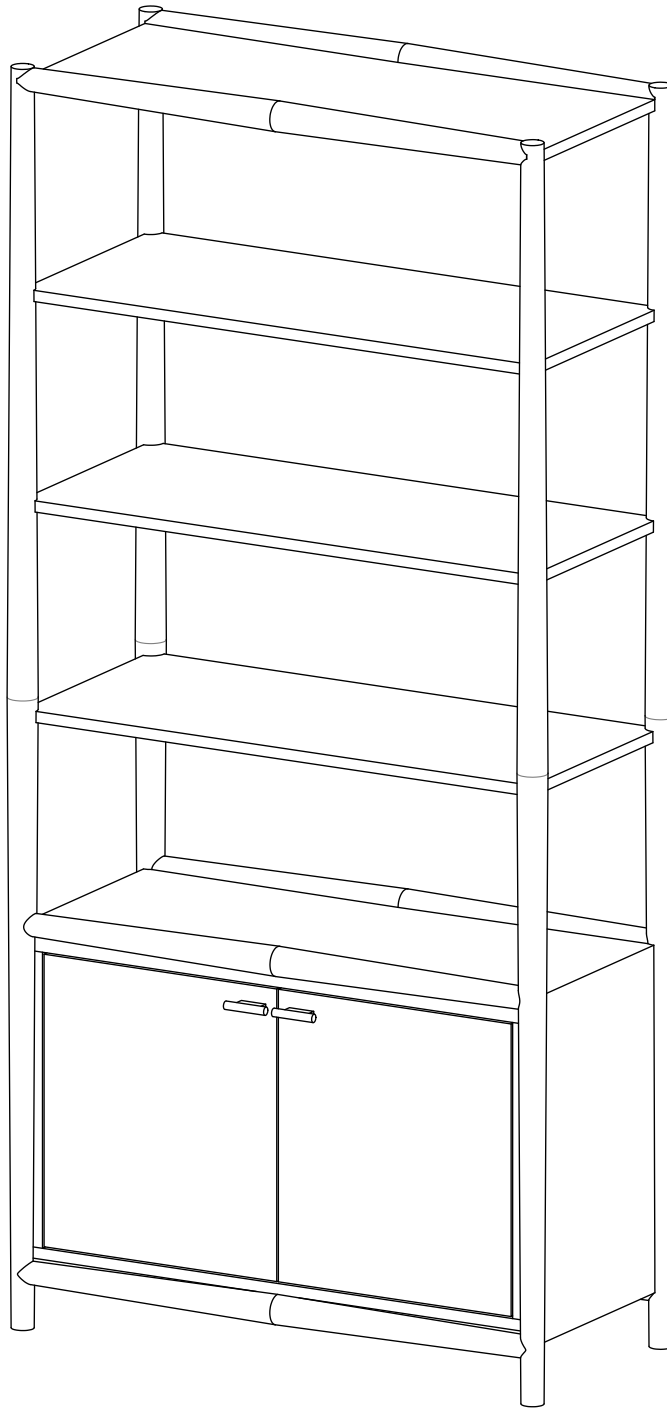
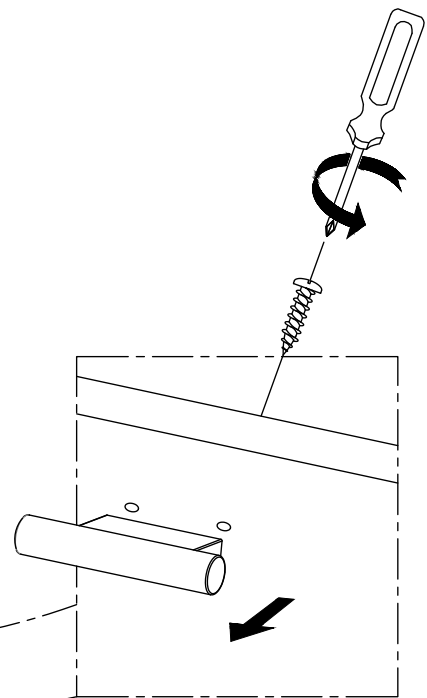
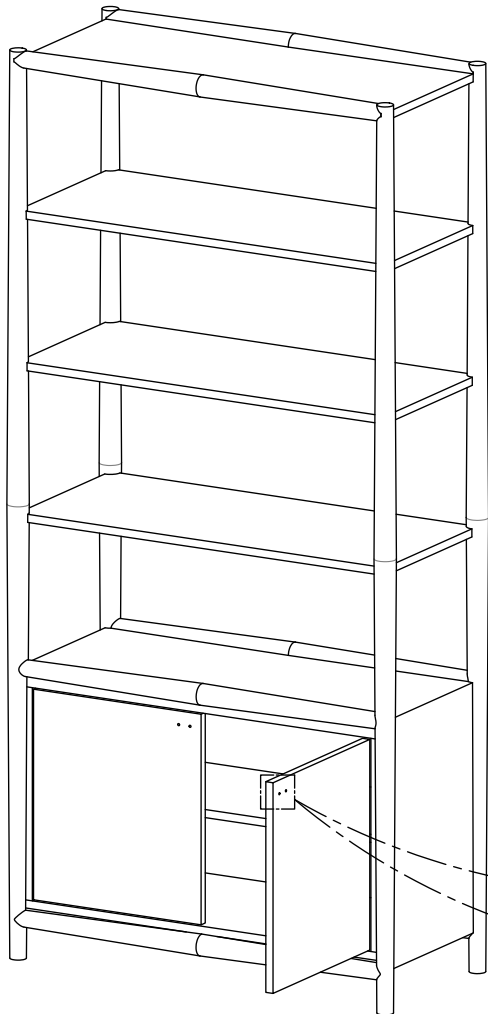
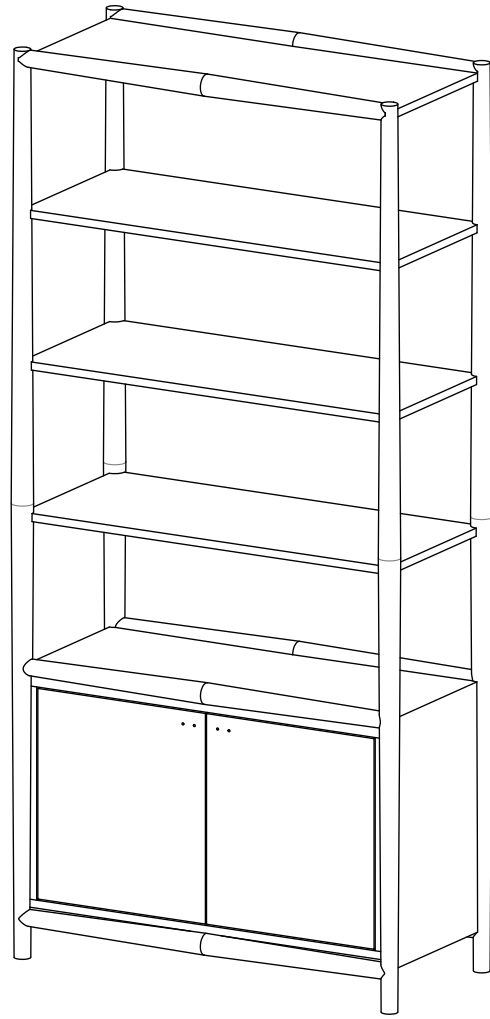


ASSEMBLY INSTRUCTION FOR BOOKCASE

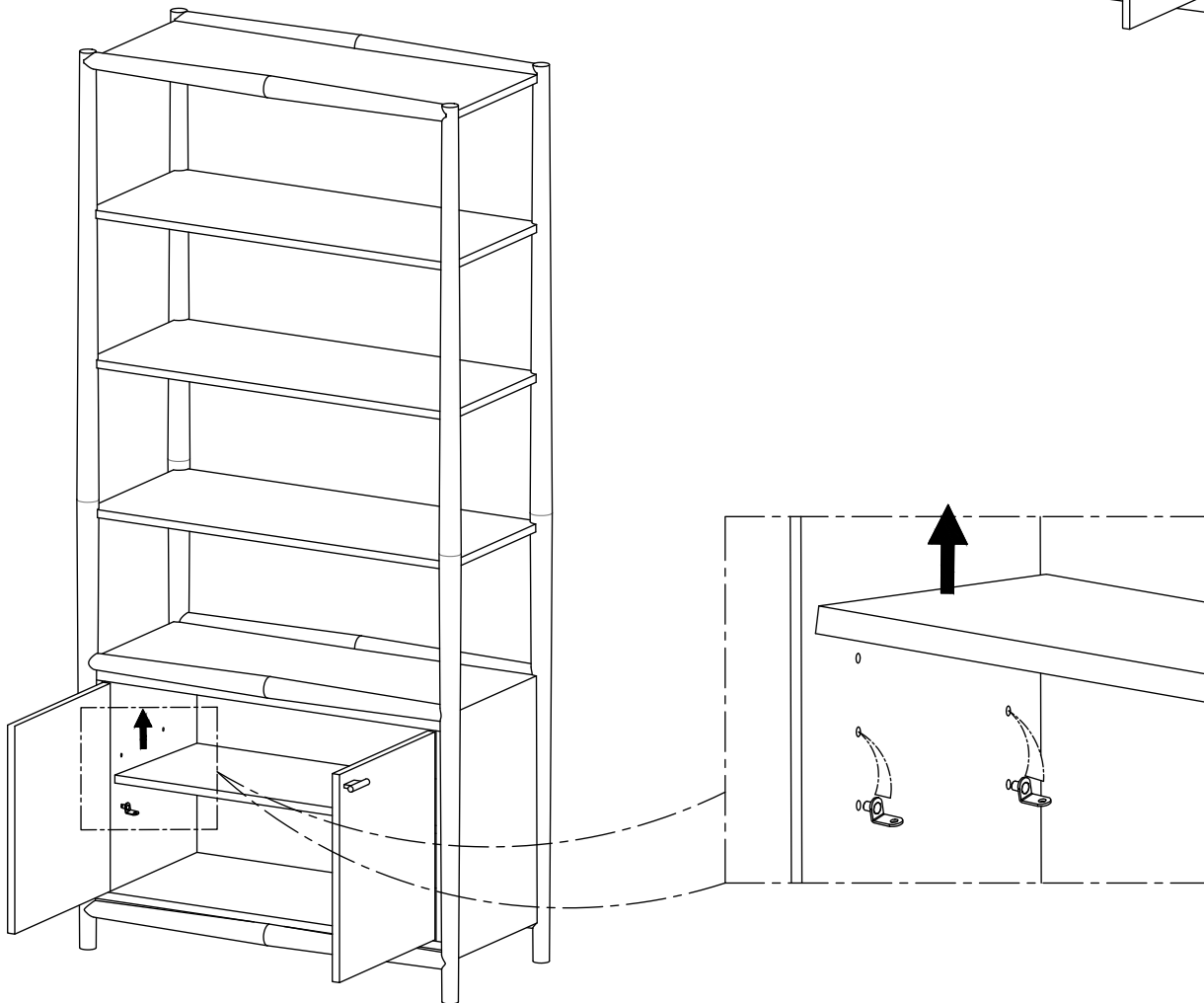
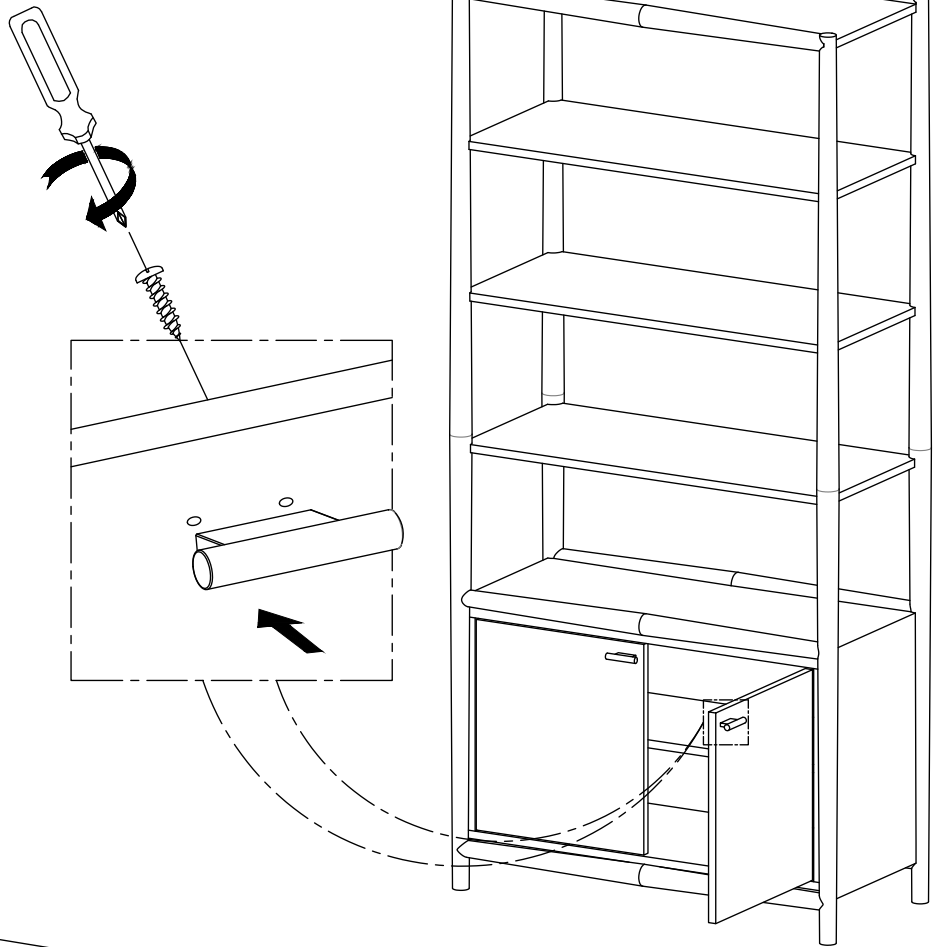
A		Tipping Hardware	1 PC
B		Screwdrivers (Not included)	1 PC



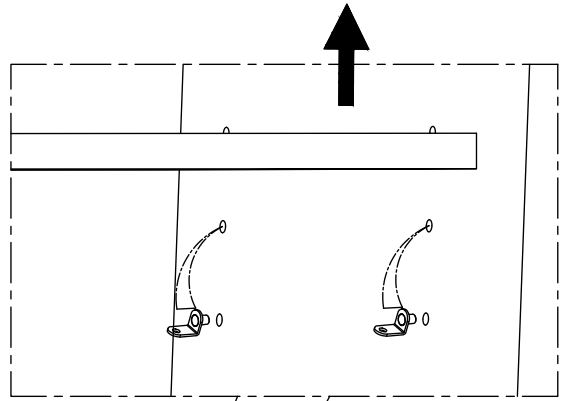
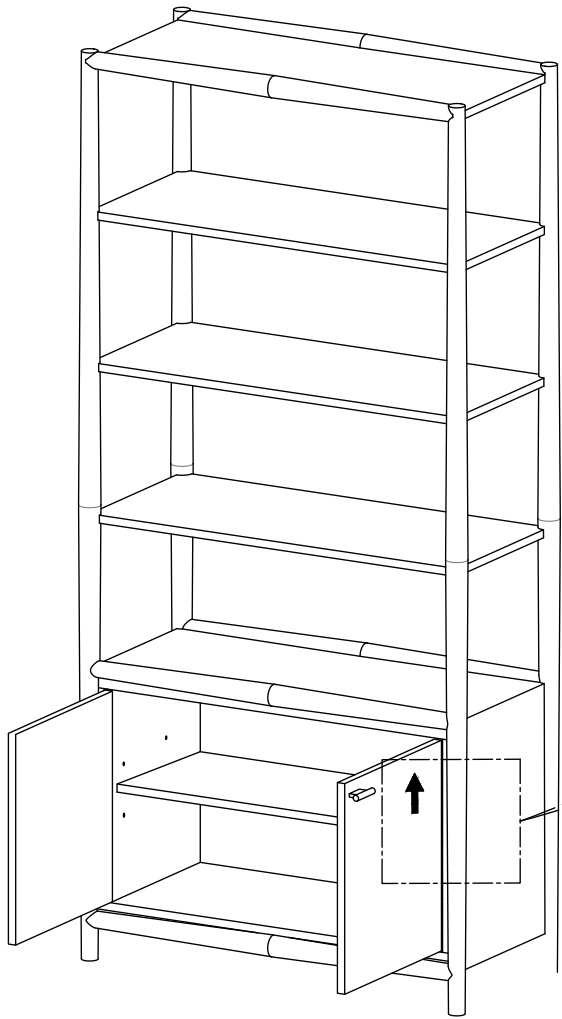
1



2



3



Tipping Hardware

