



> > assembly instructions

## **Congratulations on your latest purchase.**

Now what? Don't start sweating over this box of parts. This will be easy. We did the hard work for you. All you need to do is follow our simple instructions and you'll be on your way to transforming your room in no time. Good luck — though we're confident you won't need it.

### **assembly tips :**

1. Remove hardware from box and sort by size.
2. Please check to see that all hardware and parts are present prior to start of assembly.
3. Please follow attached instructions in the same sequence as numbered to ensure fast & easy assembly.

### **warning :**

1. Don't attempt to repair or modify parts that are broken or defective please contact our service department immediately.
2. This product is for home use only and not intended for commercial use.

## table of contents

---

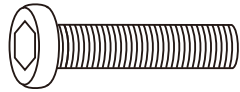
introduction	2
hardware	4
parts list	5
assembly	6-7

hardware

---

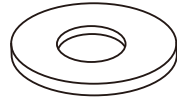
(H1)x4

bolt(M6 × 20MM)



(H2)x4

flat washer( $\phi$  6.5 ×  $\phi$  18) × 1.5MM



(H3)x1

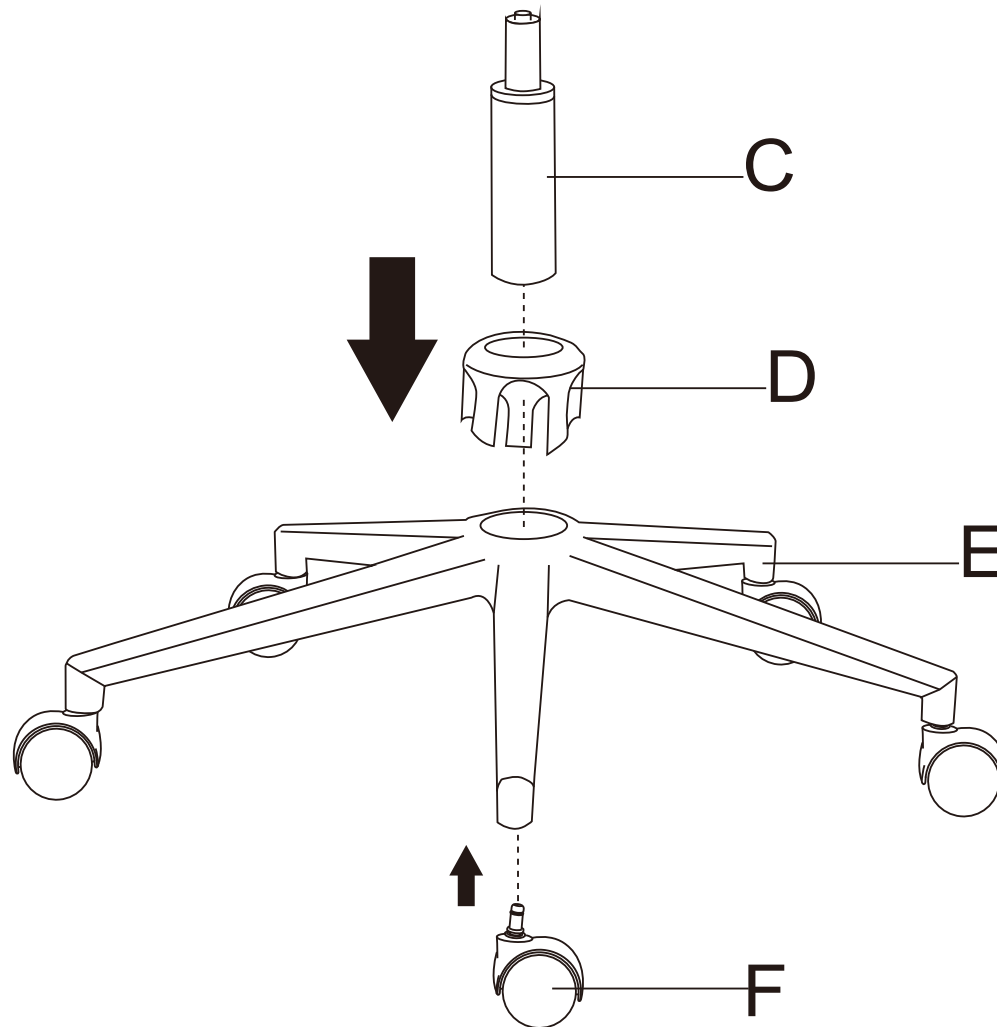
hex wrench(M6)



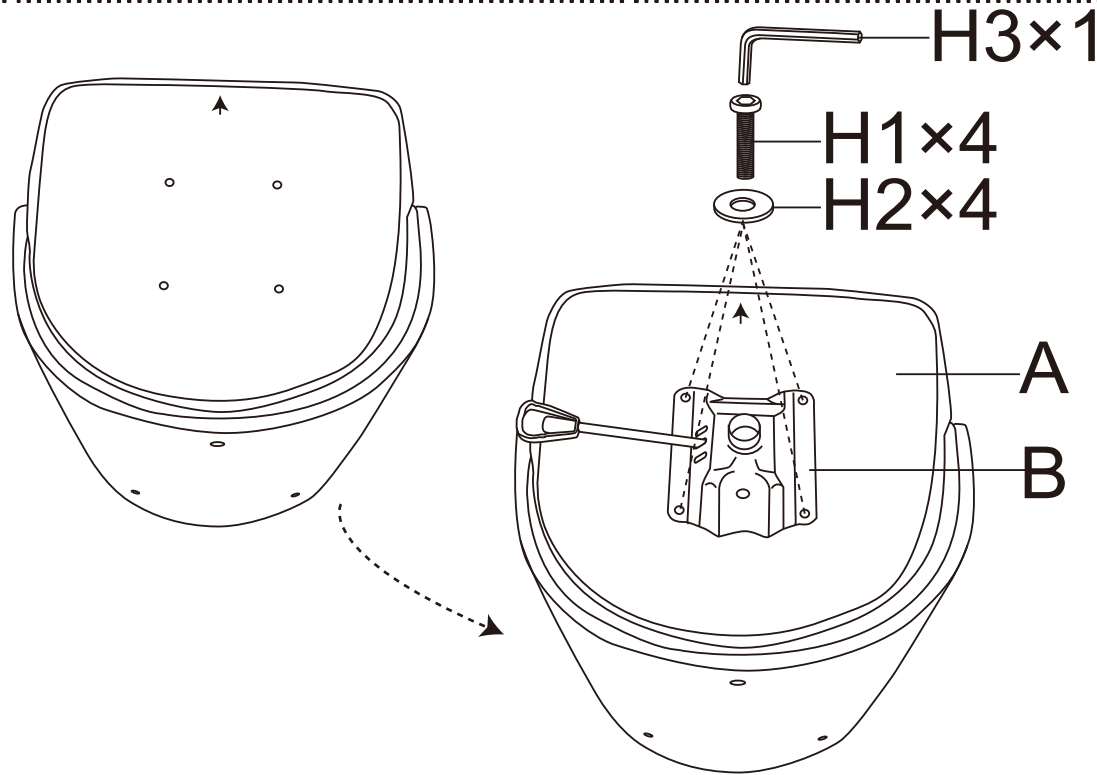
# ITEM DESCRIPTION QUANTITY

---

C	gas lift	1
D	chrome base cover	1
E	chrome leg	1
F	casters	5



# ITEM DESCRIPTION QUANTITY



A	seat	1
B	base plate	1

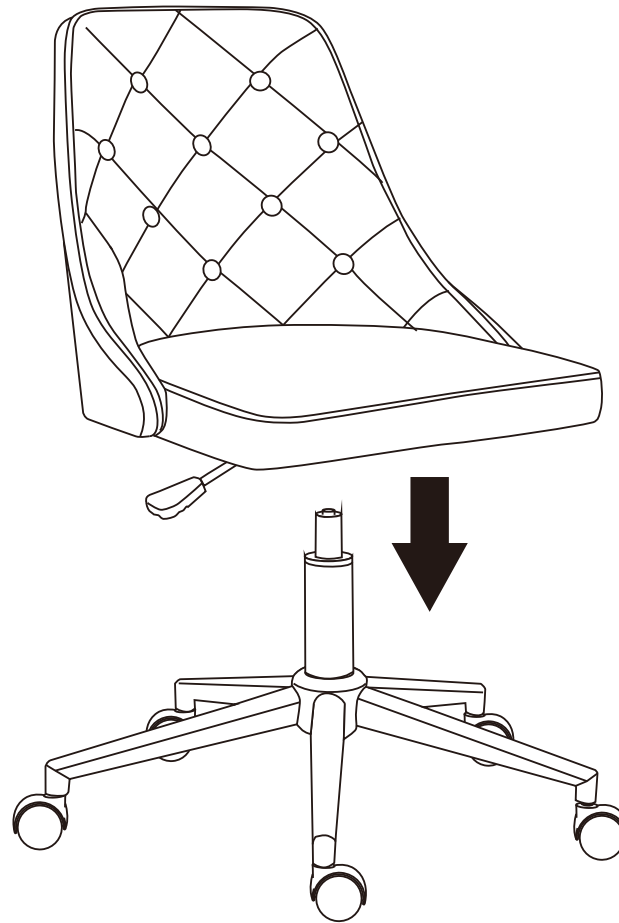
(H1)x4  
bolt(M6 × 20MM)

(H2)x4  
flat washer(φ 6.5 × φ 18) × 1.5MM

(H3)x1  
hex wrench(M6)



Assemble the bench on soft, scratch-free surface such as a carpet or a rug.  
Attach the base plate (B) to bottom of seat cushion (A) adding (H1/H2). Securely tighten all the bolts



Additional note about safety: Bolts may loosen during normal everyday use. They should be periodically inspected and re-tightened to prevent damage or injury. Remember to save your wrench to use to tighten.