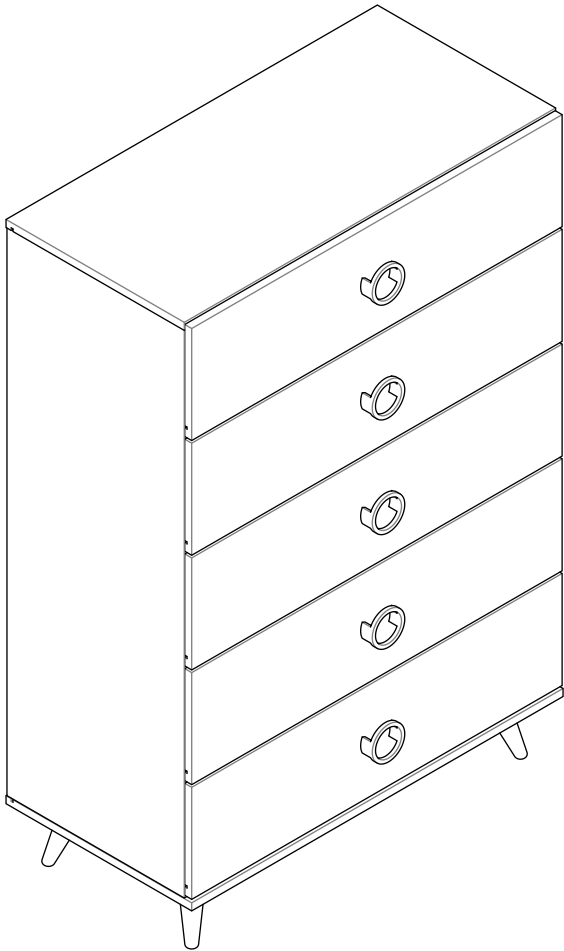
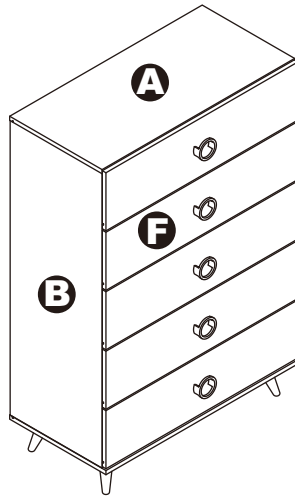


# ASSEMBLY INSTRUCTIONS



# 5-DRAWERS CHEST

# 5-DRAWERS CHEST

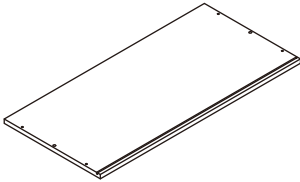


## DIMENSIONS

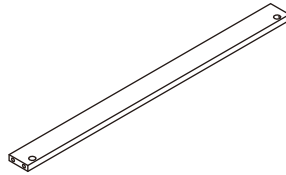
Width - 31.5"  
Depth - 16.69"  
Height - 47.32"

## PARTS LIST

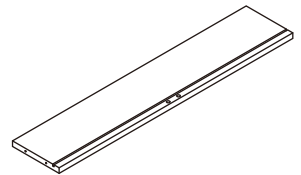
**A** X1



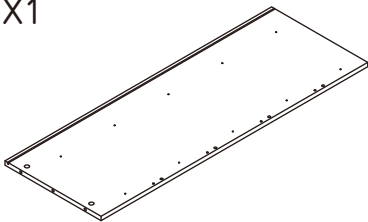
**E** X4



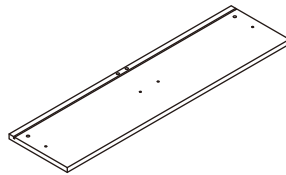
**I** X5



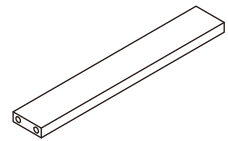
**B** X1



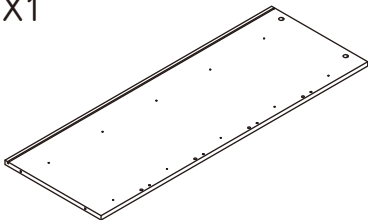
**F** X5



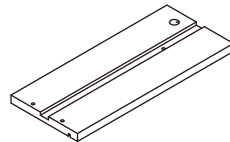
**J** X5



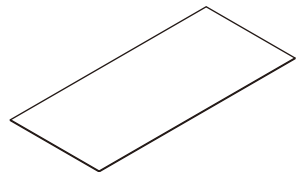
**C** X1



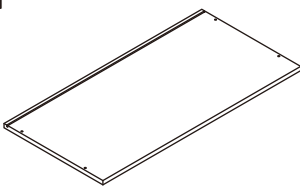
**G** X5



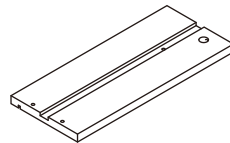
**K** X5



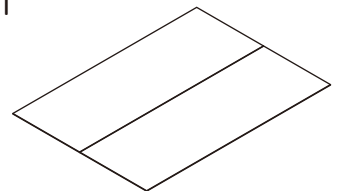
**D** X1



**H** X5

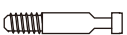


**L** X1



## HARDWARE LIST

**1** X22



**2** X22



**3** X40



**4** X4



**5** X20



**6** X10



**7** X20



**8** X10



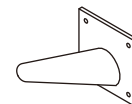
**9** X5



**10** X10



**11** X4



**12** X16



**13** X6

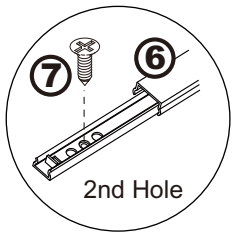
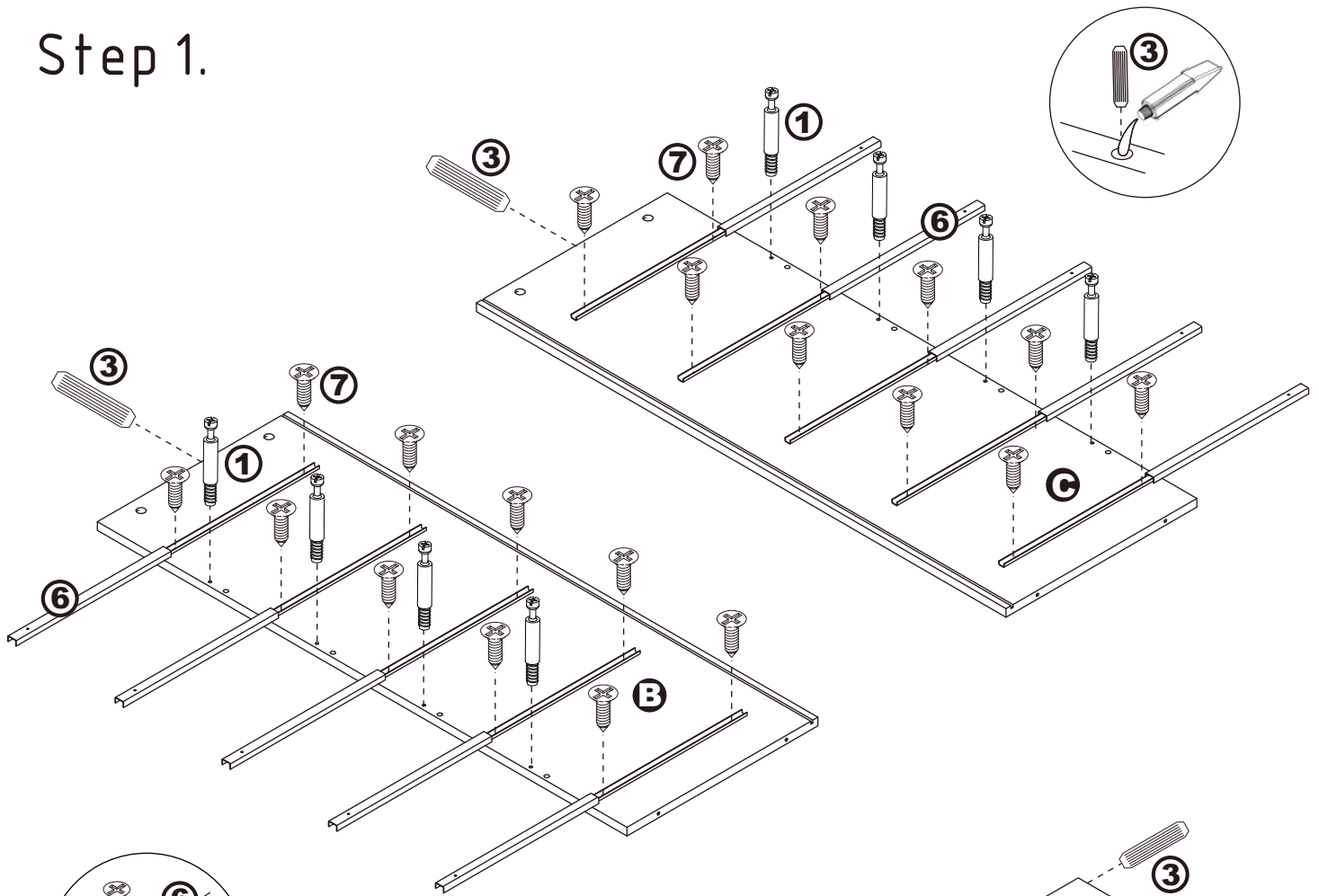


**14** X6

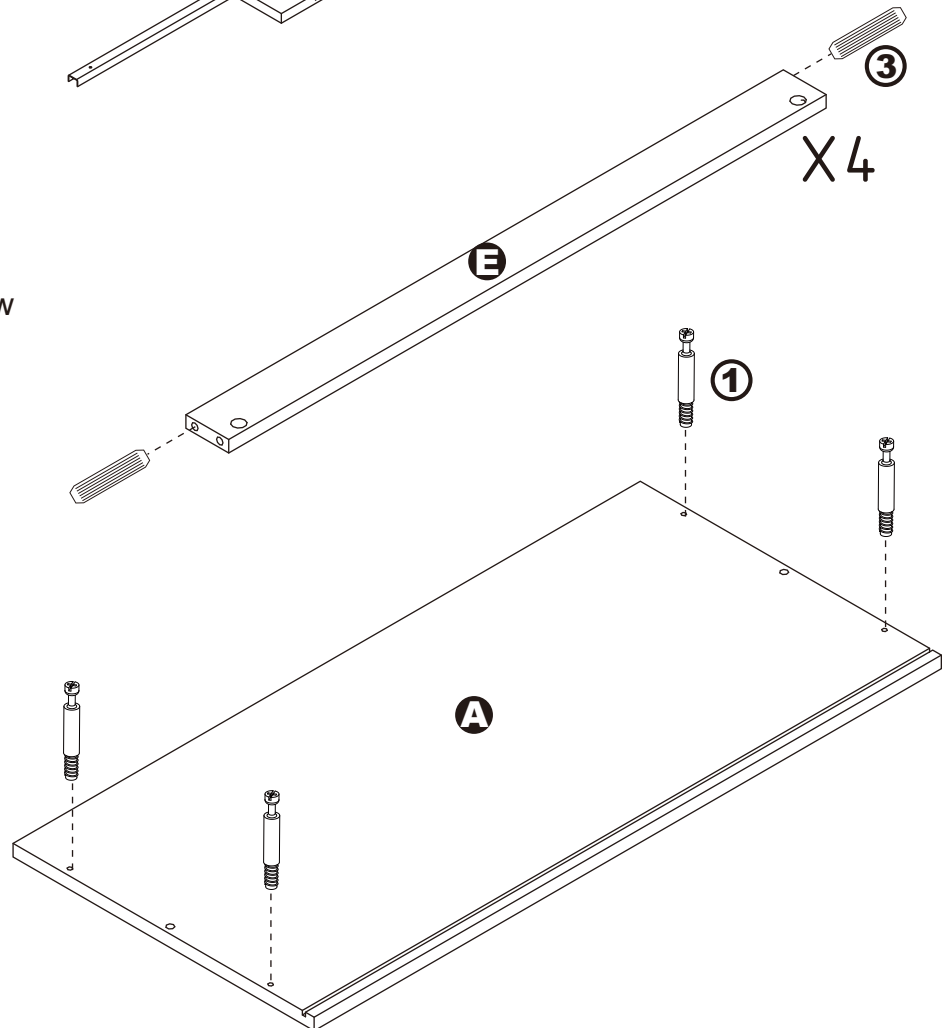


# ASSEMBLY INSTRUCTIONS

## Step 1.

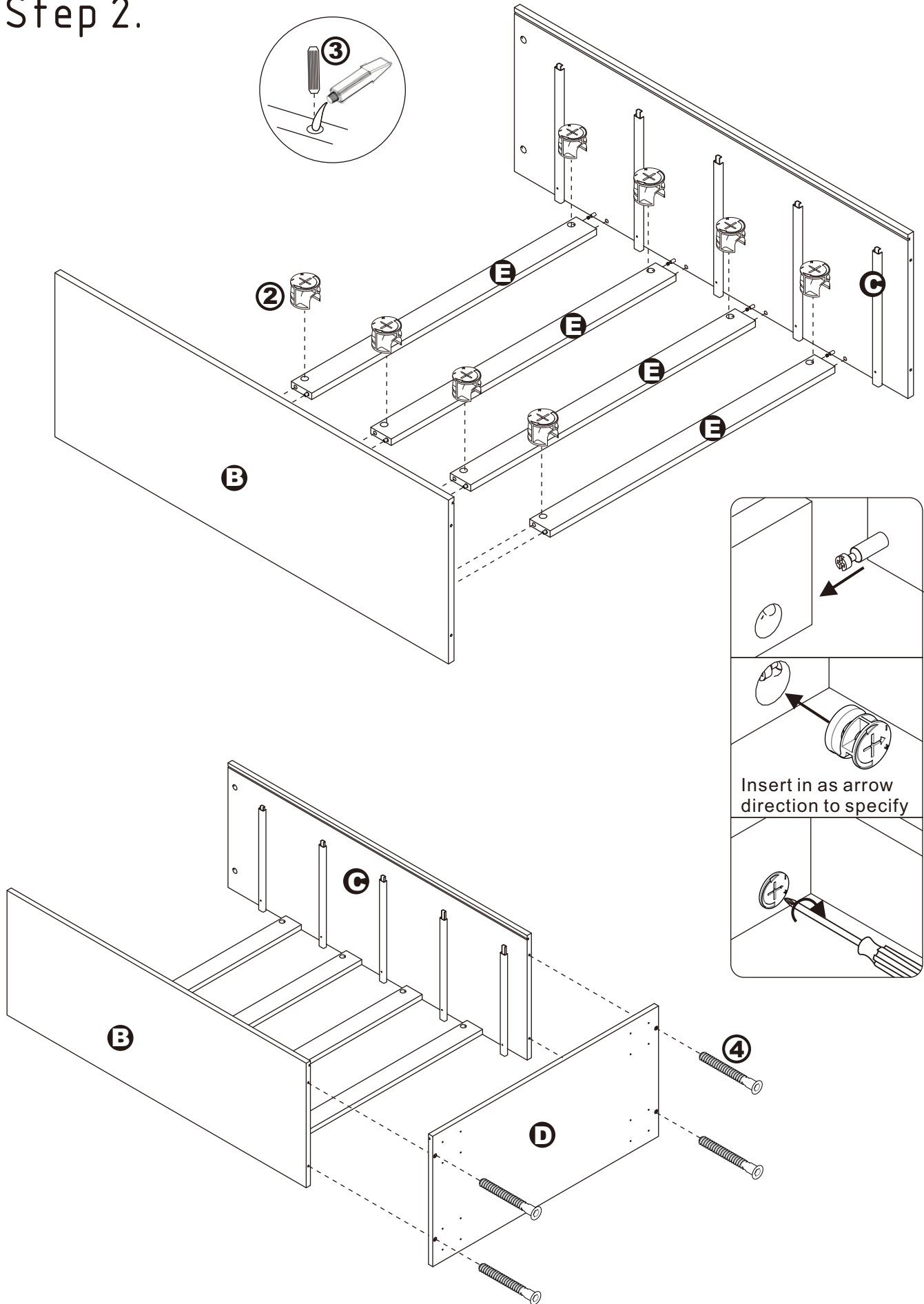


Push runner to see screw holes on the other end



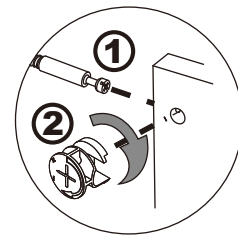
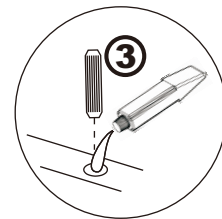
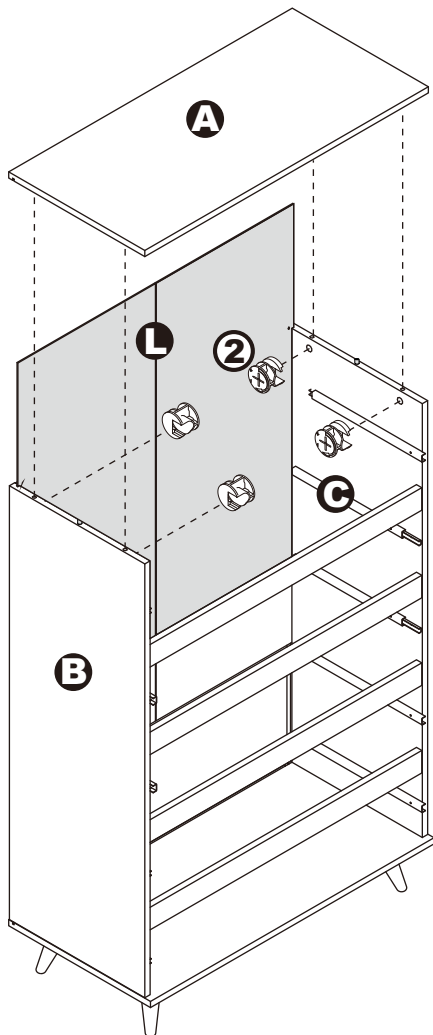
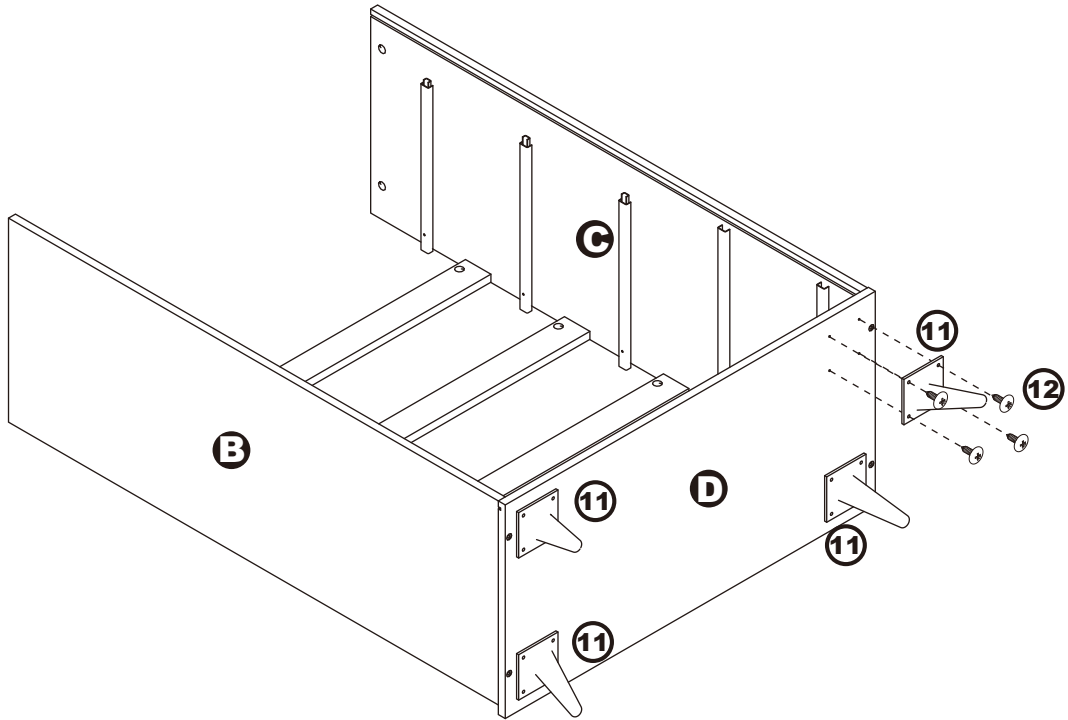
# ASSEMBLY INSTRUCTIONS

## Step 2.



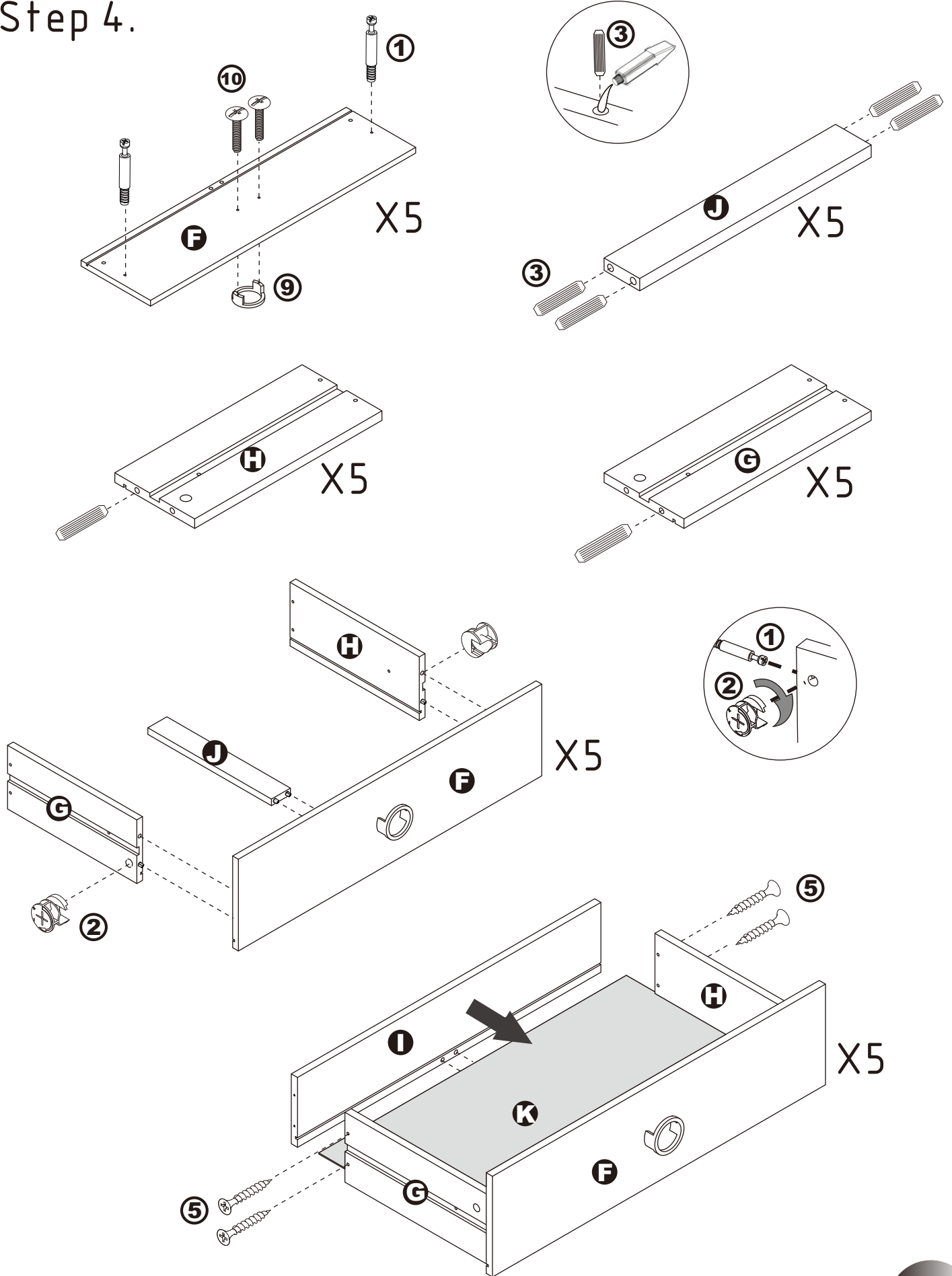
# ASSEMBLY INSTRUCTIONS

Step 3.



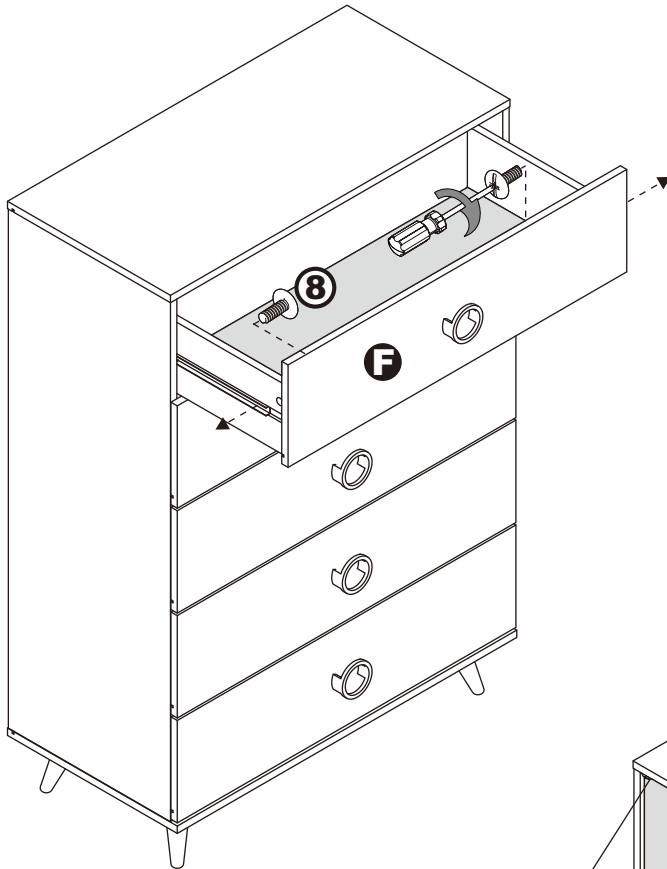
# ASSEMBLY INSTRUCTIONS

Step 4.



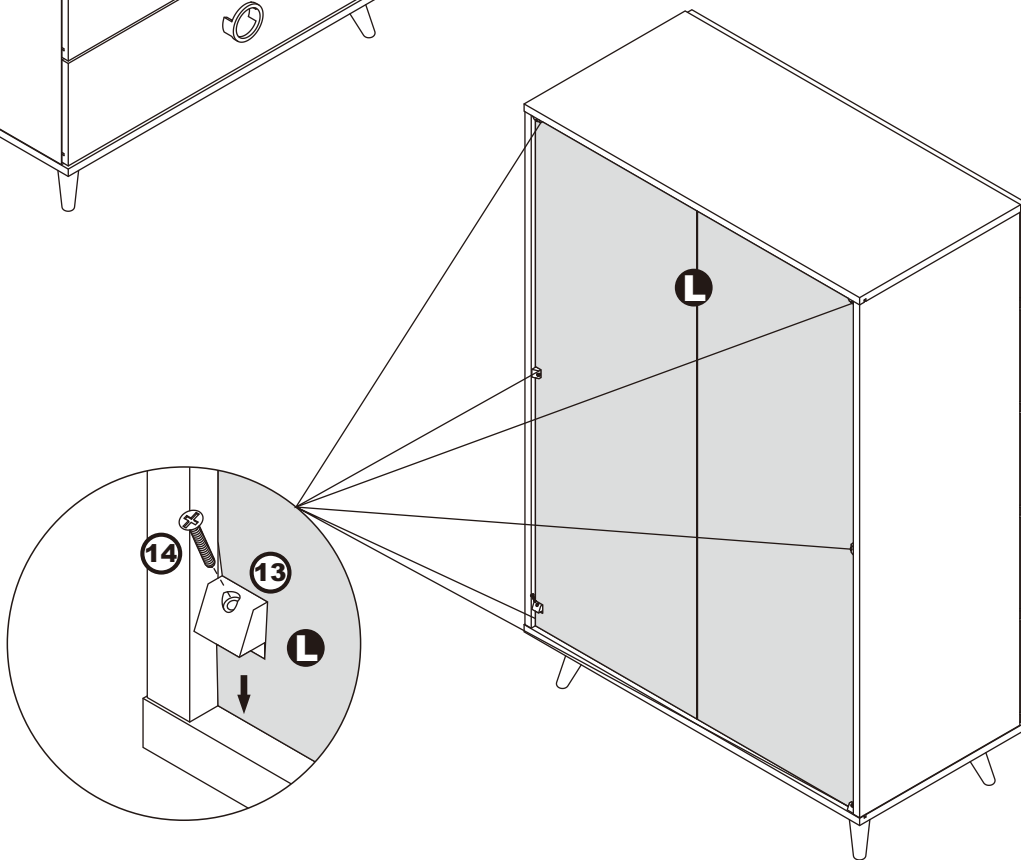
# ASSEMBLY INSTRUCTIONS

## Step 5.



Extend the two outer slides of the runners so that they could align with the sides of the drawer. Make sure the pre-drilled holes from the drawer align with the screw holes of the outer slides.

Secure two screws from the inside of the drawer using a Phillips screwdriver to tighten them to the outer slides.



## ASSEMBLY IS COMPLETED

Make sure the product is rested on a flat surface and does not feel loose or wobbly. If it does, double check that the bolts/screws are secured and properly tightened.