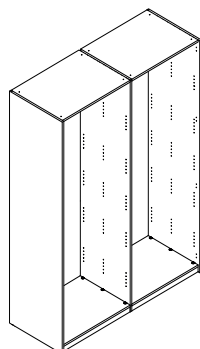
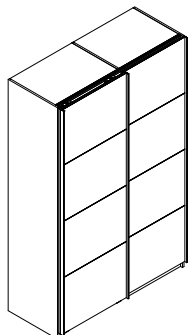


# AR8994/AR8995/AR8999 + CF8988

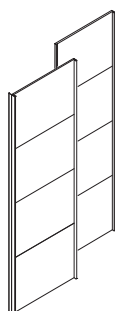


www.fsc.org

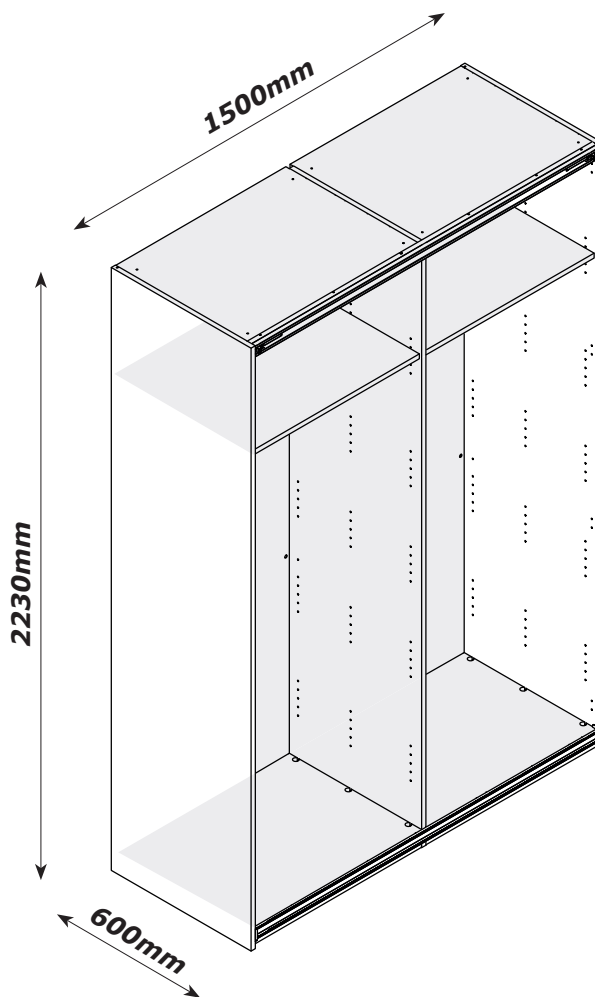
MIX  
Wood from  
responsible sources  
FSC® C011298



**AR8970K  
+  
AR8969K**



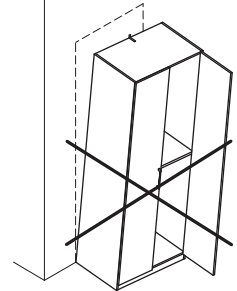
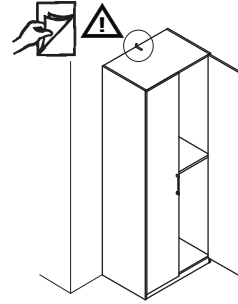
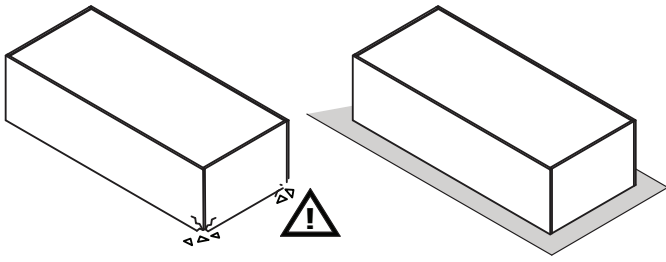
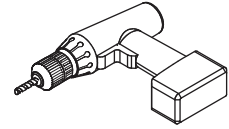
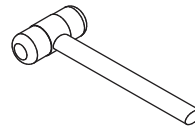
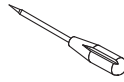
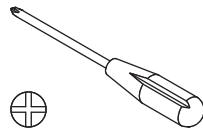
**2x AN**



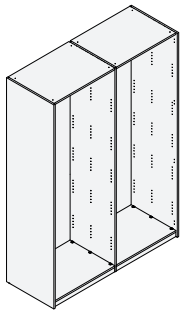
QF5540



4h



## CF8988



**K181** x1  
L. 1461mm

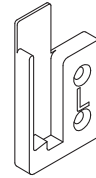


**K182** x1  
L. 1458mm



**W330** x2  
L. 715mm

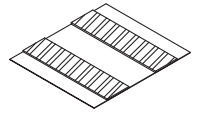
## CF0227



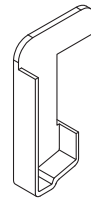
**h** x1  
30x6x53mm



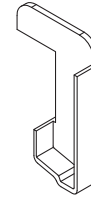
**i** x1  
30x6x53mm



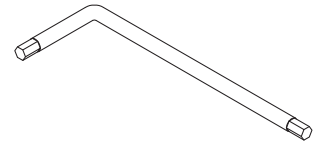
**j** x1  
9x35x0,5mm



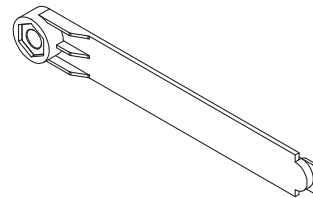
**k** x1  
32,5x9x51,5mm



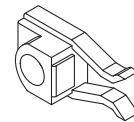
**l** x1  
32,5x9x51,5mm



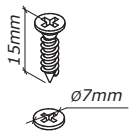
**H176**  
x1



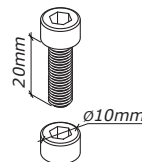
**m** x2  
118x9,5x15mm



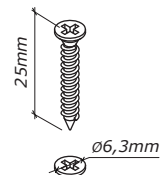
**n** x2  
42x15x21mm



**V5**  
x14



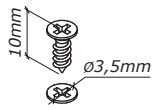
**V188**  
x2



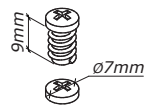
**V119**  
x10

# CF8988

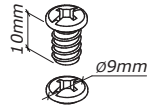
## BU4631



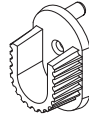
**V87**  
x14



**V71**  
x12



**V175**  
x32



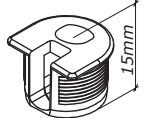
**R34**  
x4



**R5**  
x12



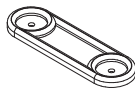
**H289**  
x6



**T127**  
x24



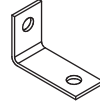
**T69**  
x12



**P16**  
x6



**H15**  
x12



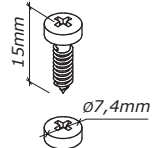
**H141**  
x12



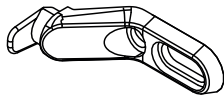
**T53**  
x6



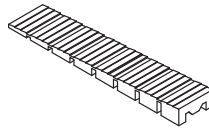
**T129**  
x12



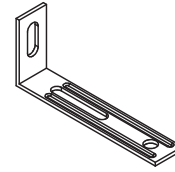
**V81**  
x4



**H322**  
x8



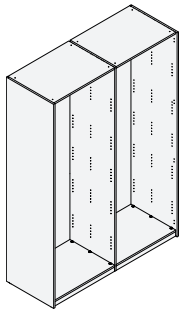
**P17**  
x2



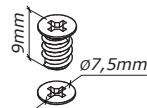
**H185**  
x2



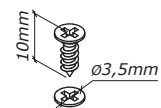
**H129**  
x4



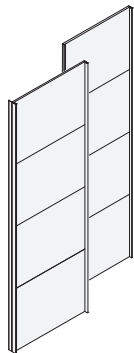
## BU4631



**V102**  
x88

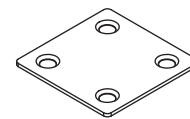


**V87**  
x32



**H203** x1  
L. 2170mm

## CF0198

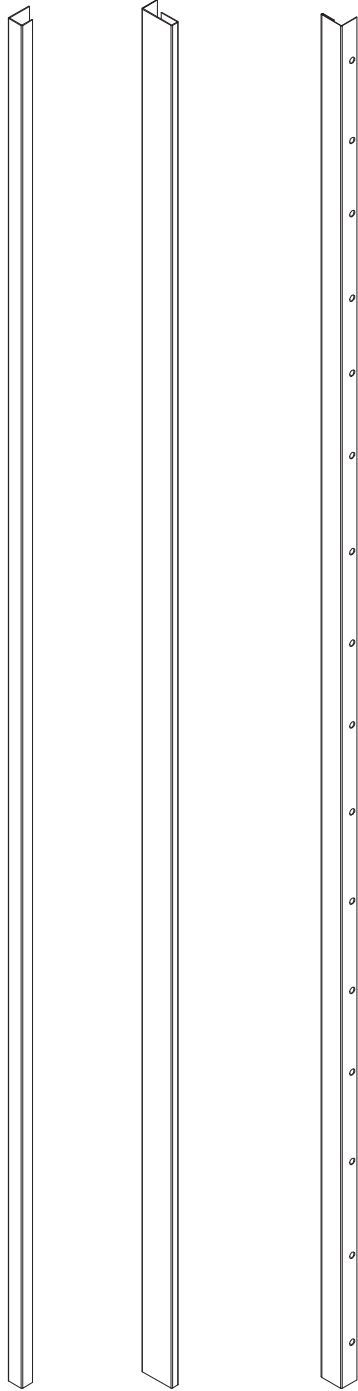
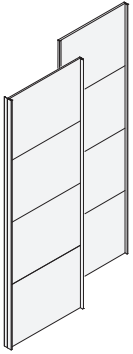


**W498**  
x12

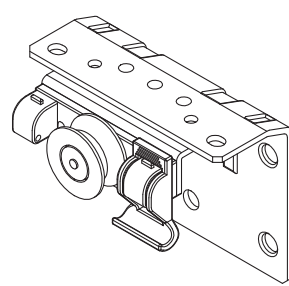
# CF8988

CF

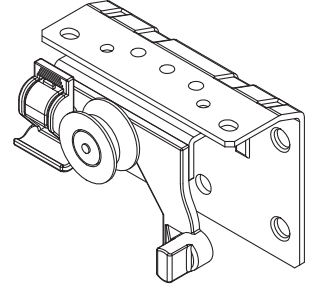
CF0227



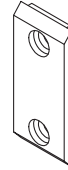
**M1** x1 L. 2178mm    **M2** x3 L. 2178mm    **FW** x1 L. 2178mm



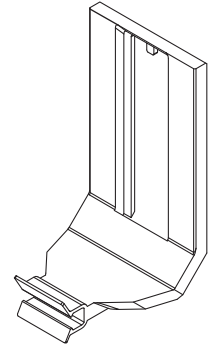
**a** x1  
80x51x60mm



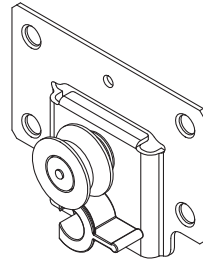
**b** x1  
80x51x60mm



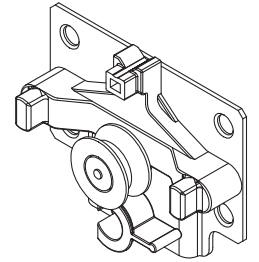
**c** x4  
21x5x49mm



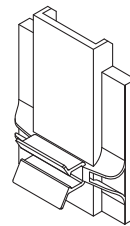
**d** x2  
44x48x84mm



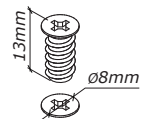
**e** x1  
80x22x60mm



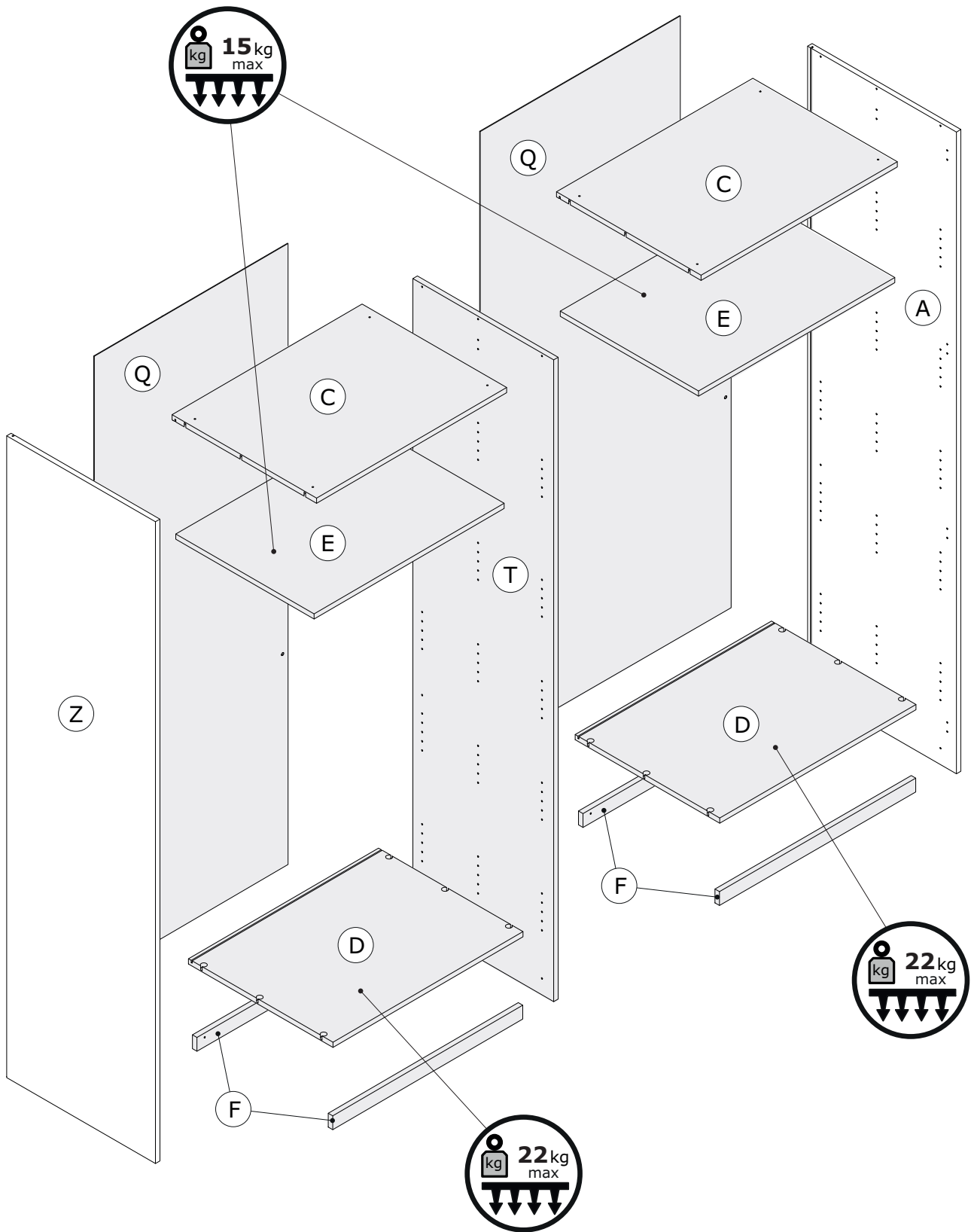
**f** x1  
80x22x62mm



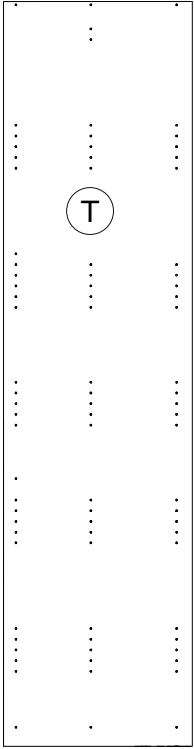
**g** x2  
44x19x60mm



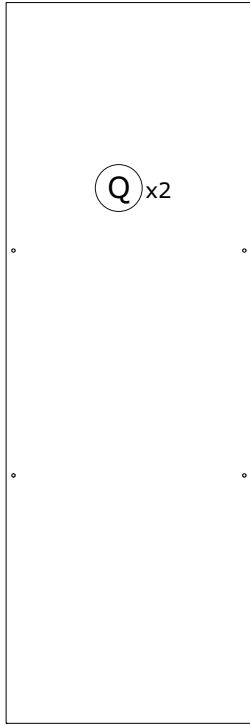
**V187**  
**X24**



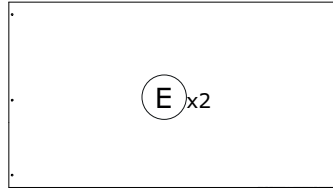
# AR8970K7670423



**TR2360**  
2226x564x18mm

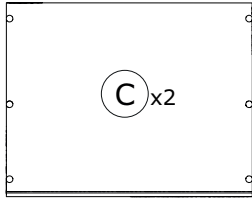


**SS0779**  
2154x738x2,3mm

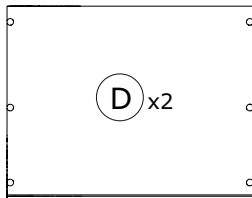


**PI7330**  
723x554x18mm

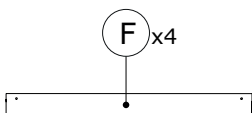
# AR8970K7670433



**PI7329**  
723x579x18mm

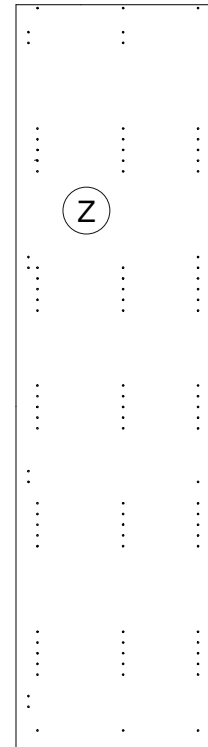
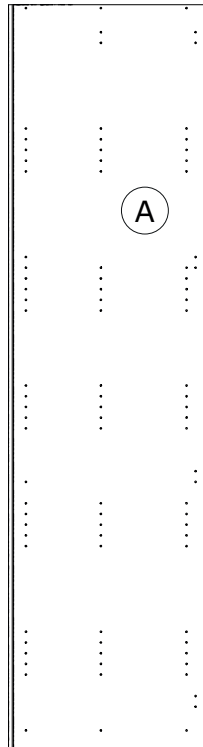


**PI7329**  
723x579x18mm

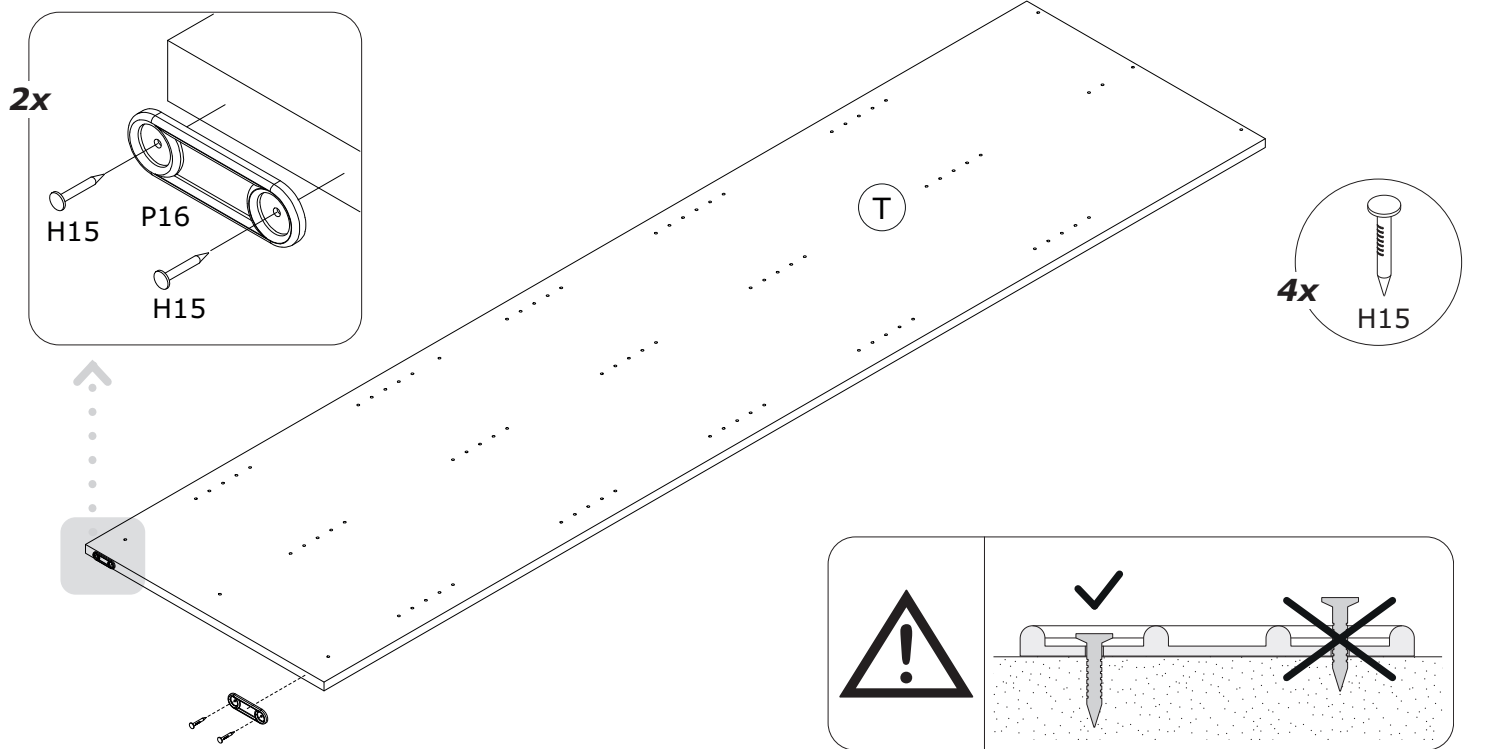


**ZO1645**  
723x48x18mm

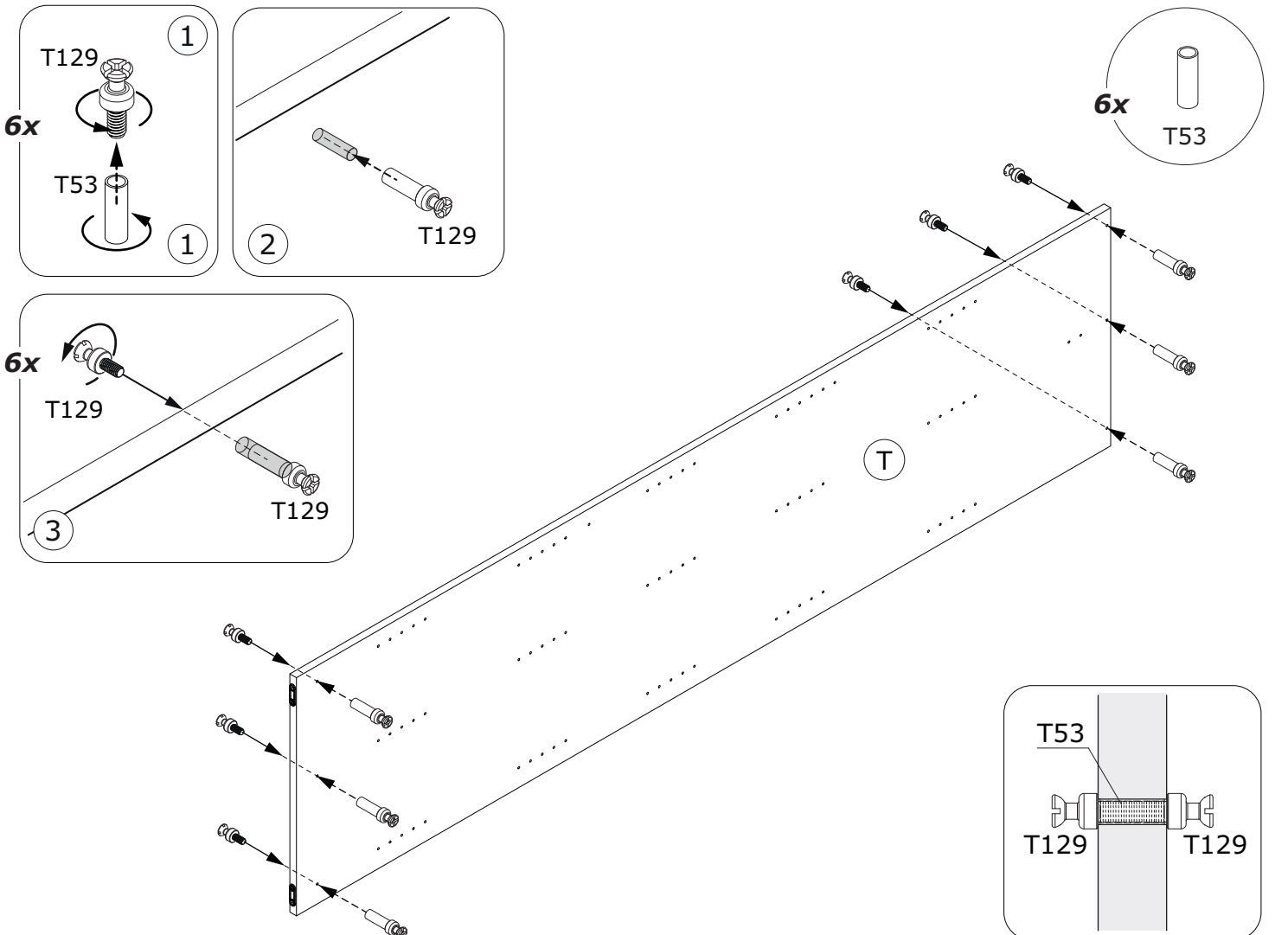
# AR8969K6220413



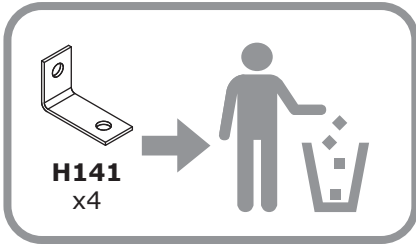
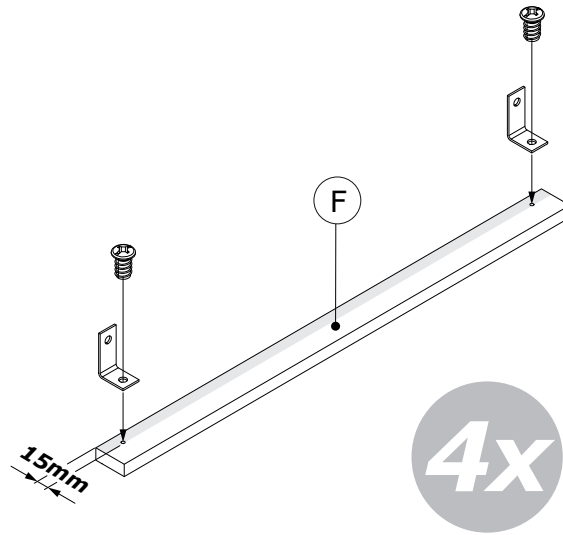
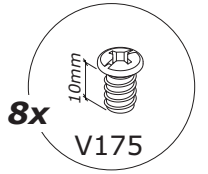
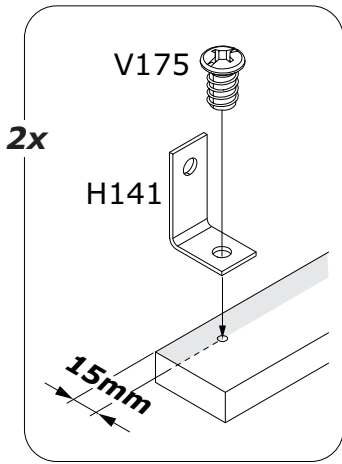
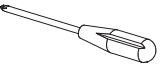
1



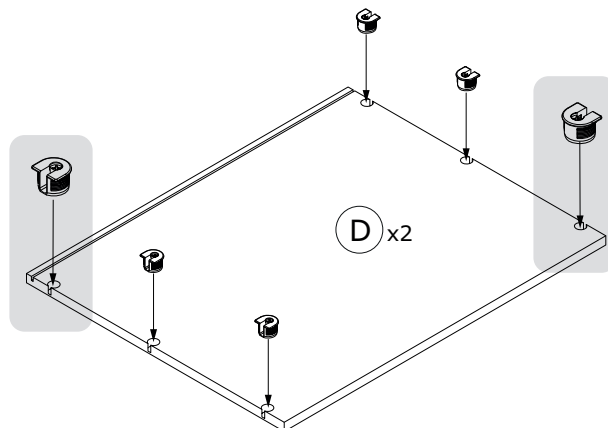
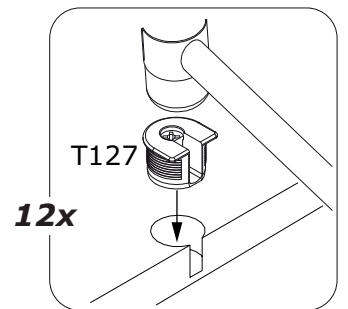
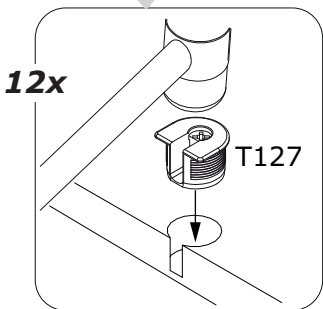
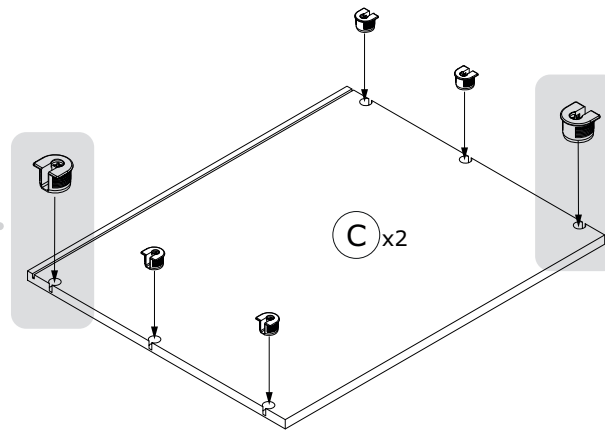
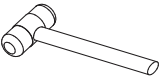
2



4

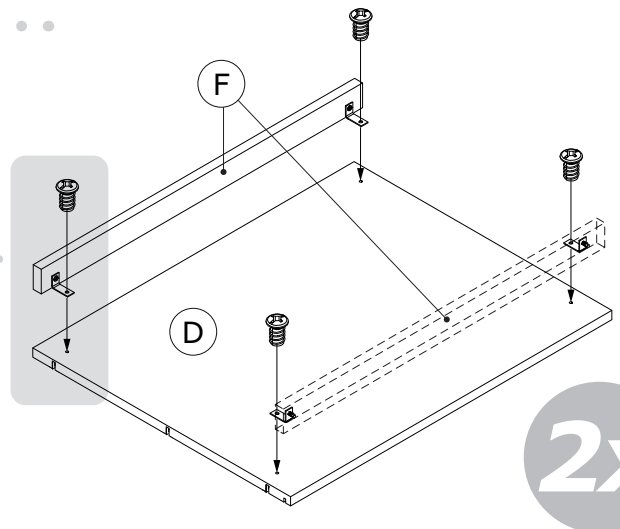
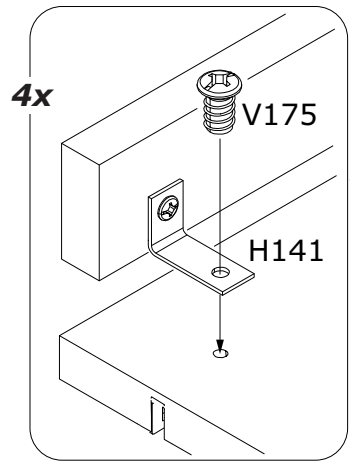
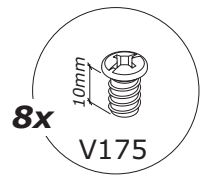
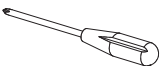
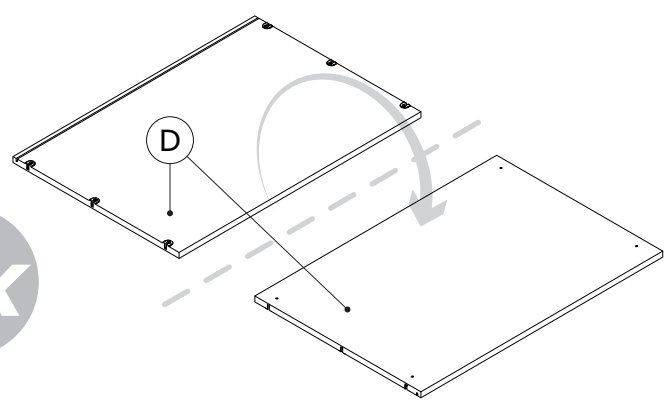


3



5

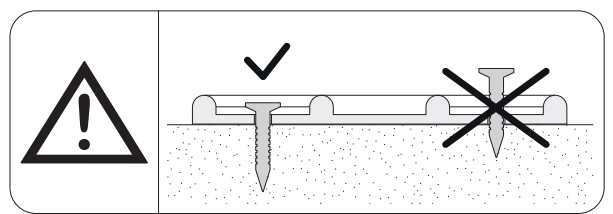
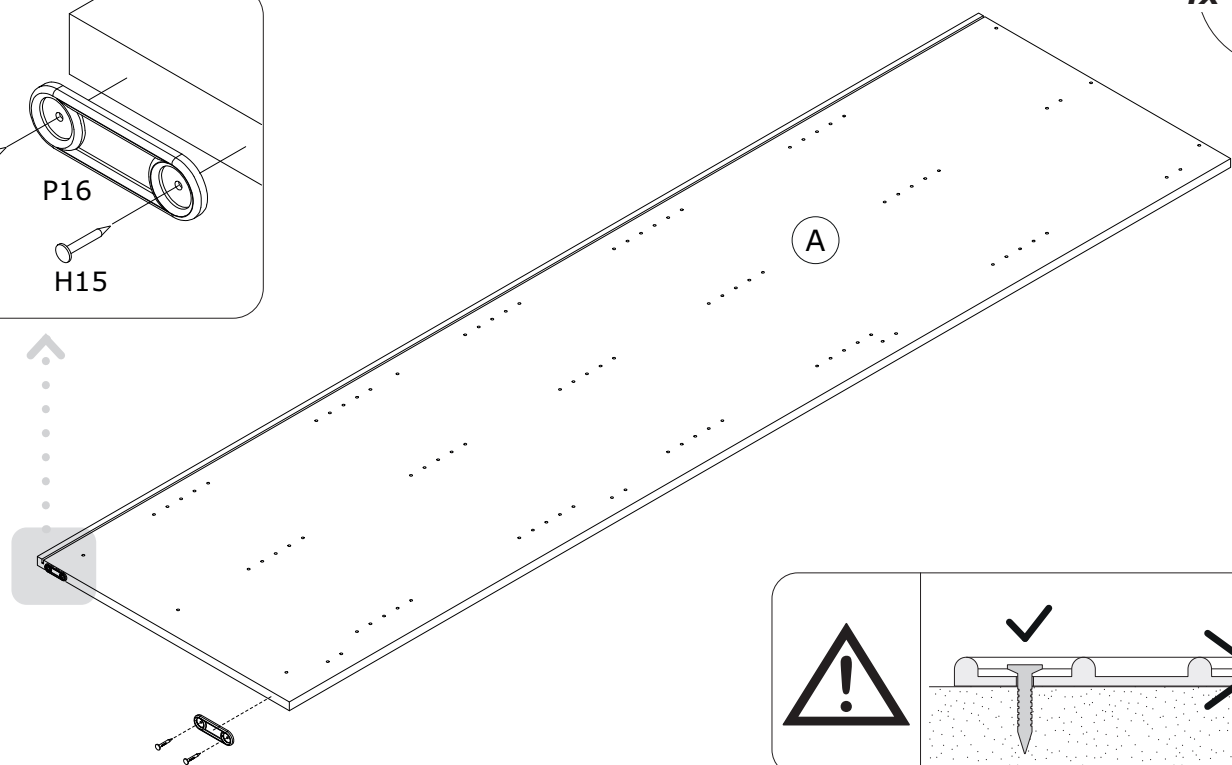
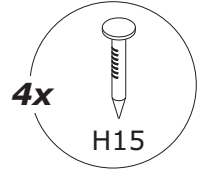
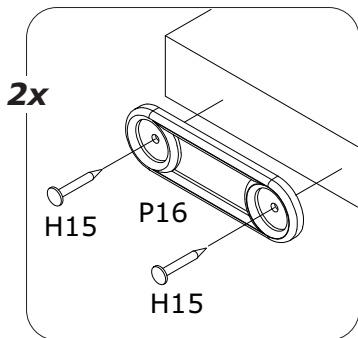
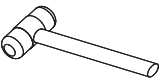
2x



2x

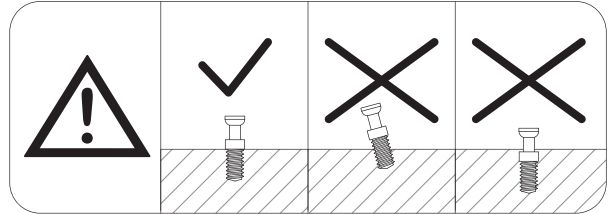
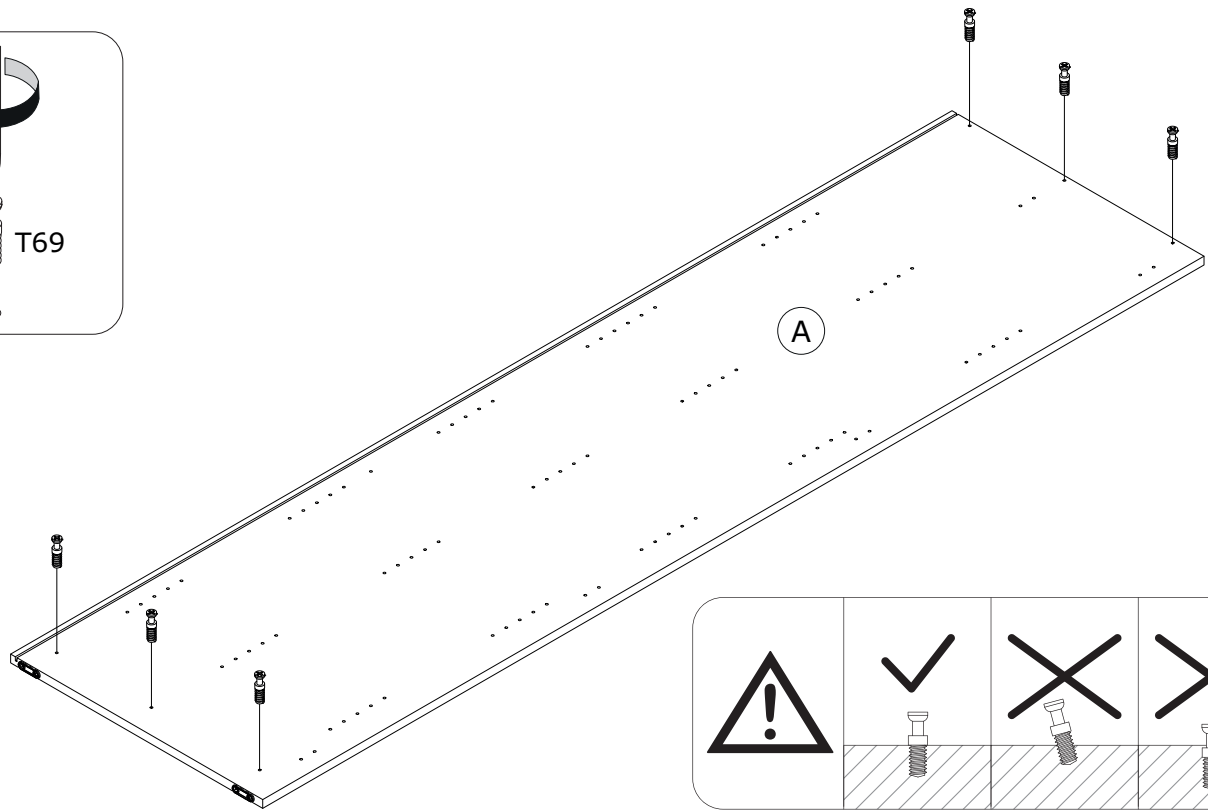
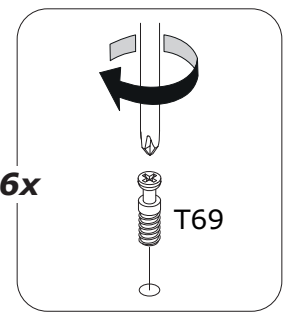
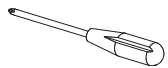
6

AR8969K6220413

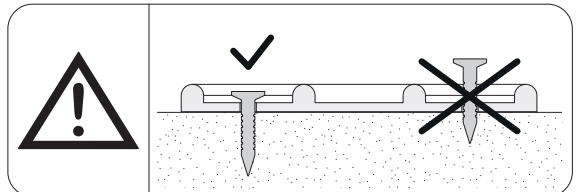
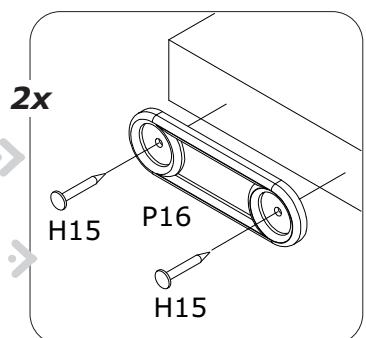
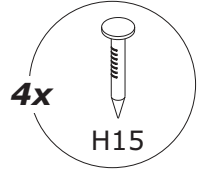
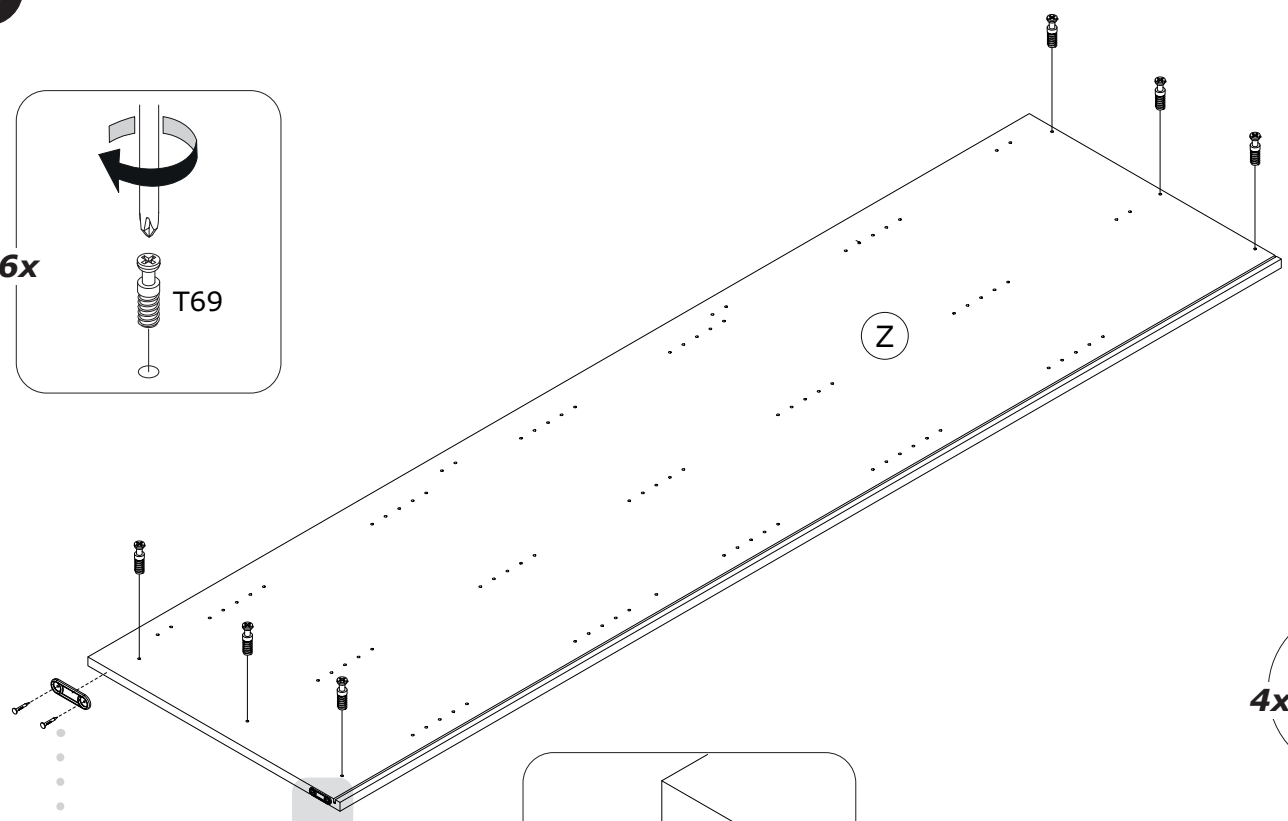
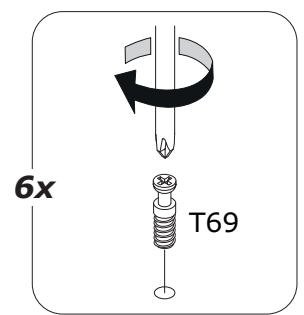
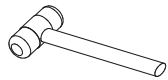


7

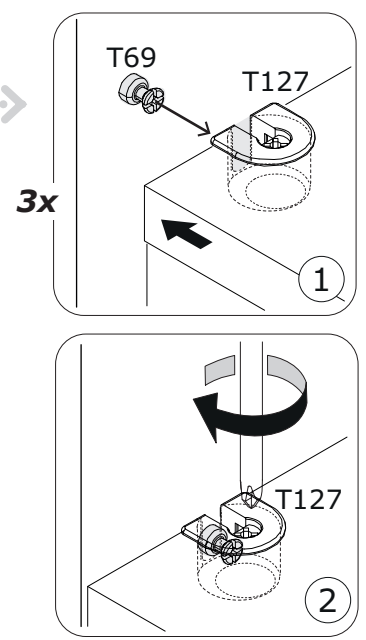
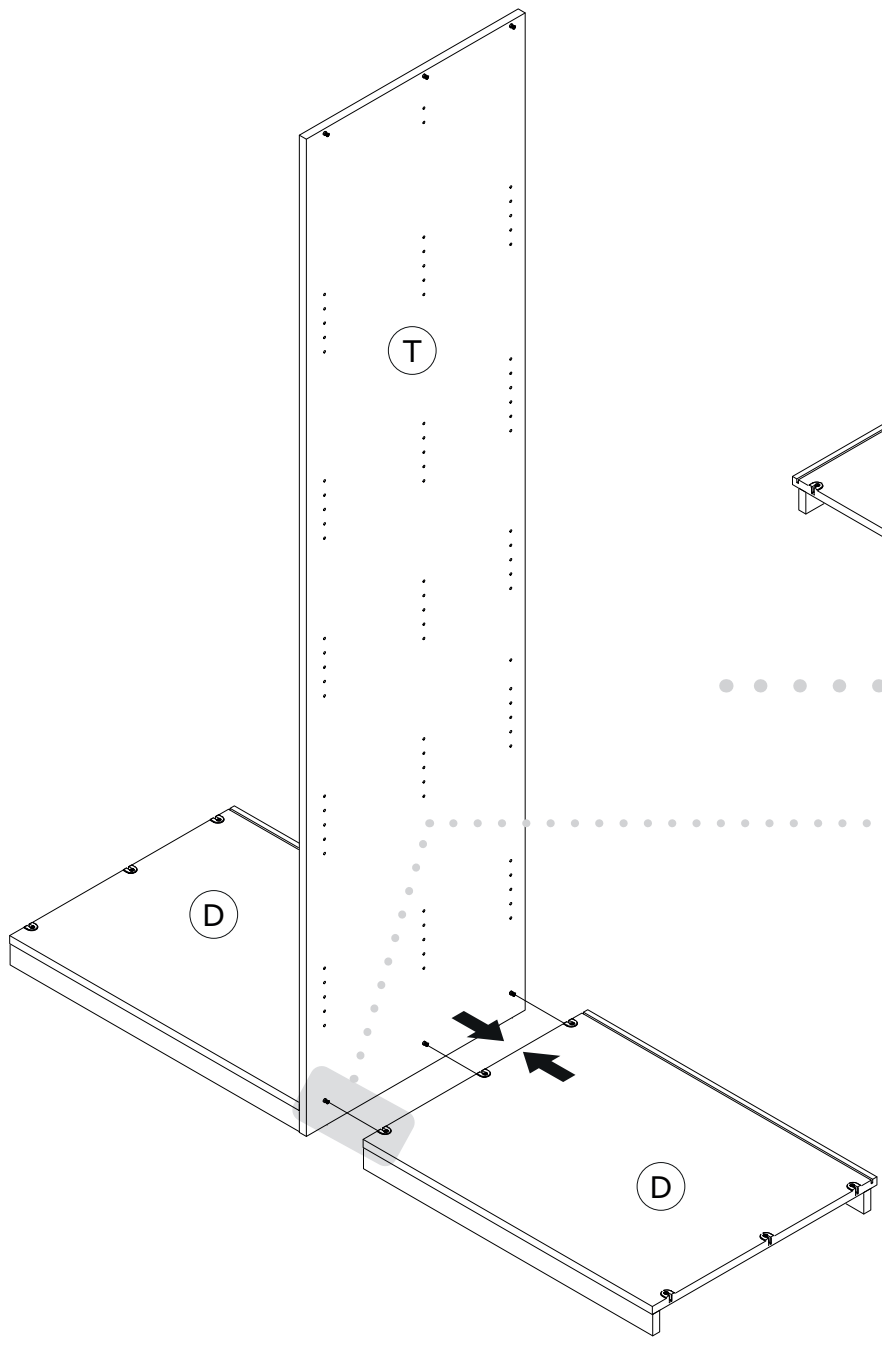
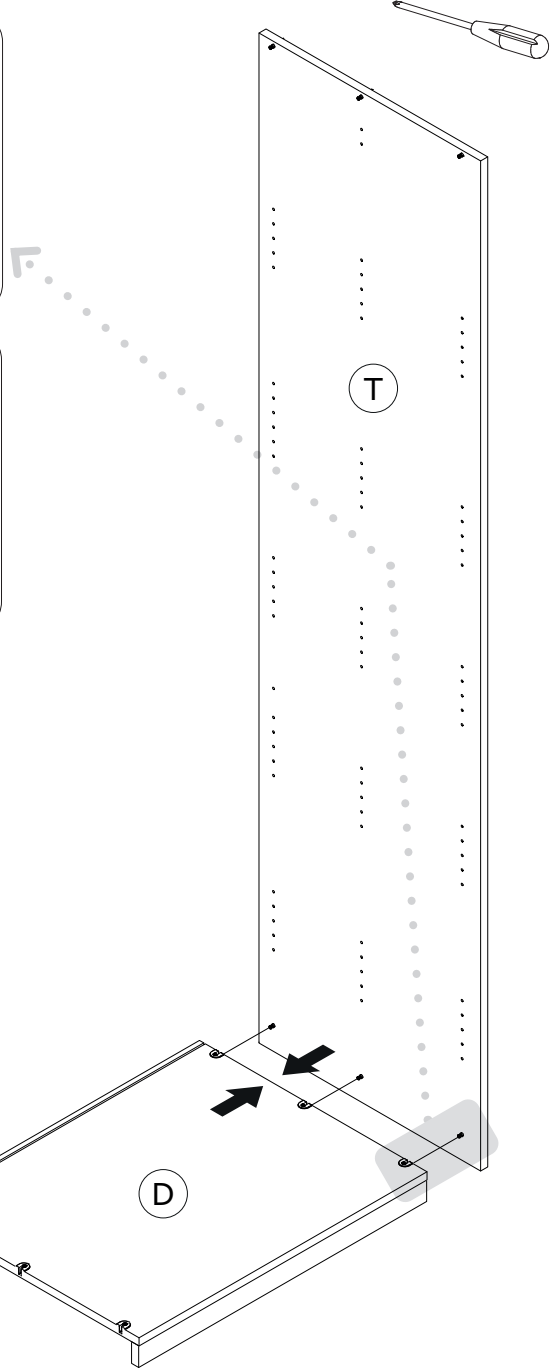
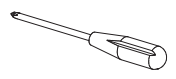
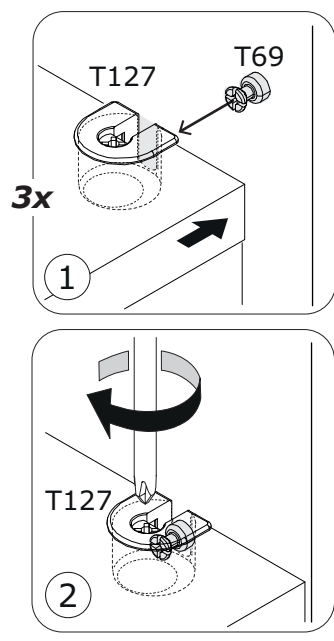
AR8969K6220413

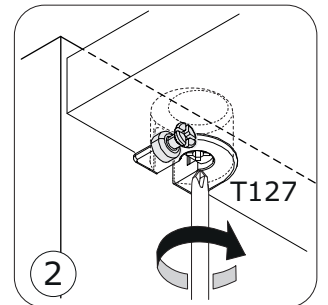
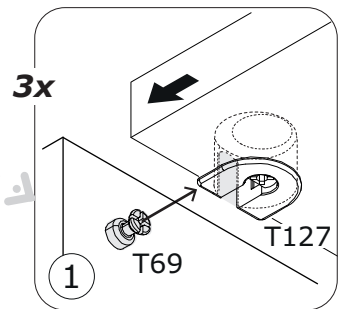
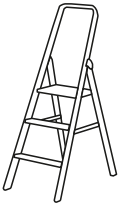
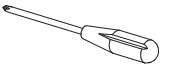
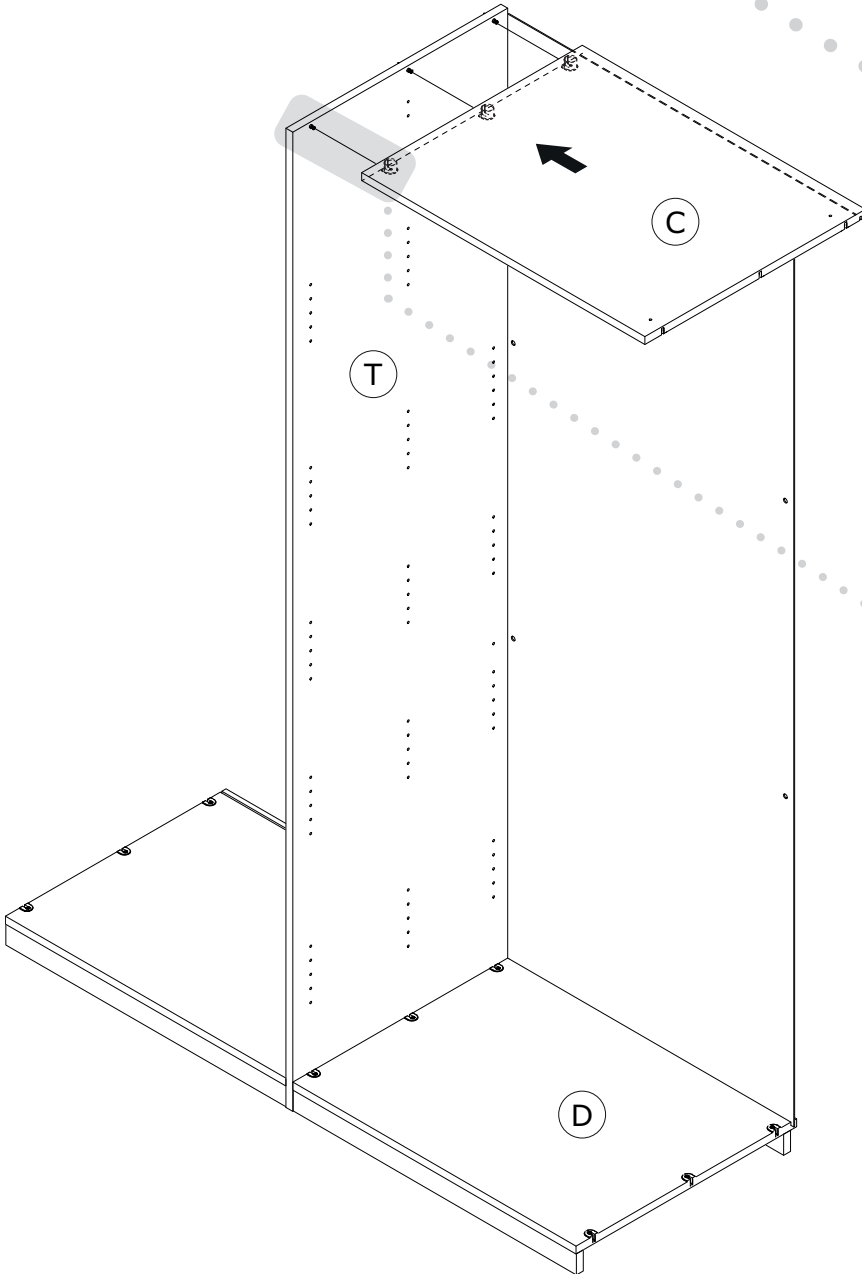
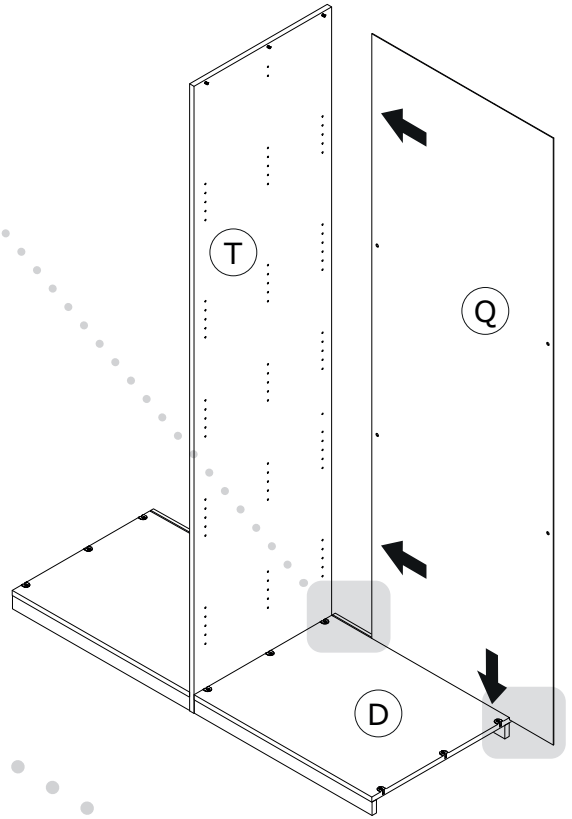
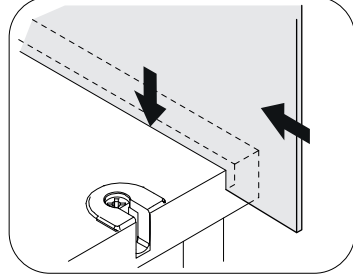
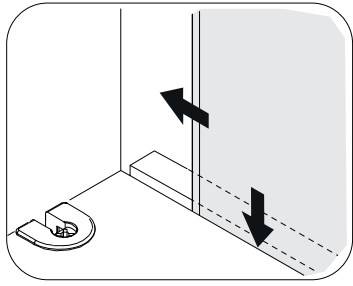


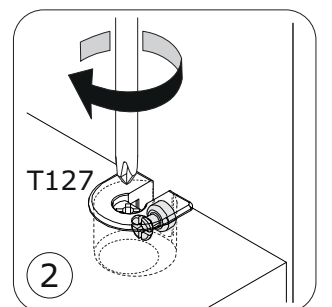
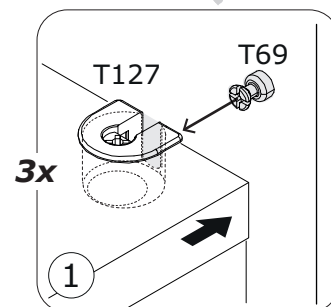
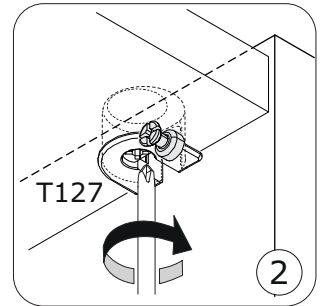
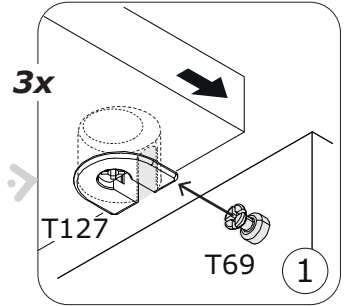
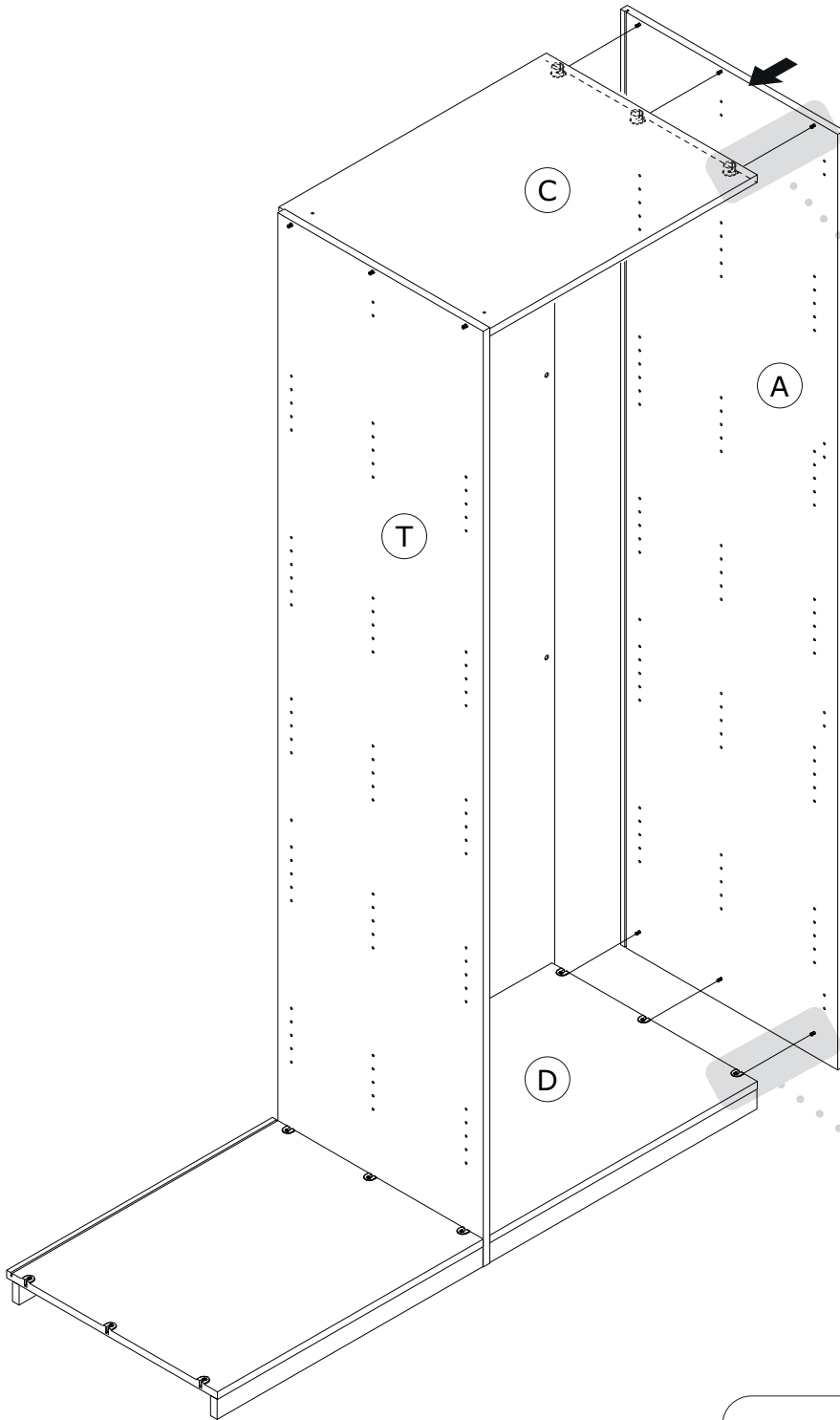
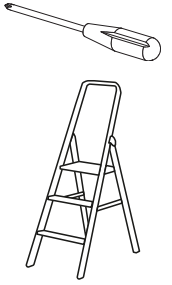
8

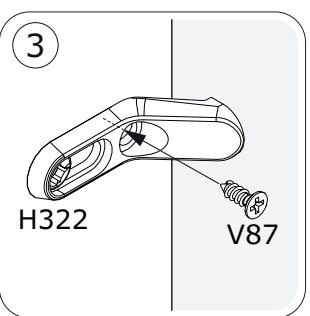
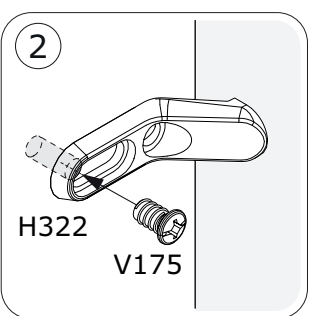
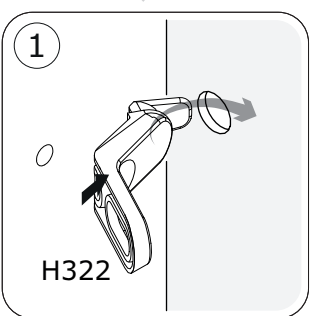
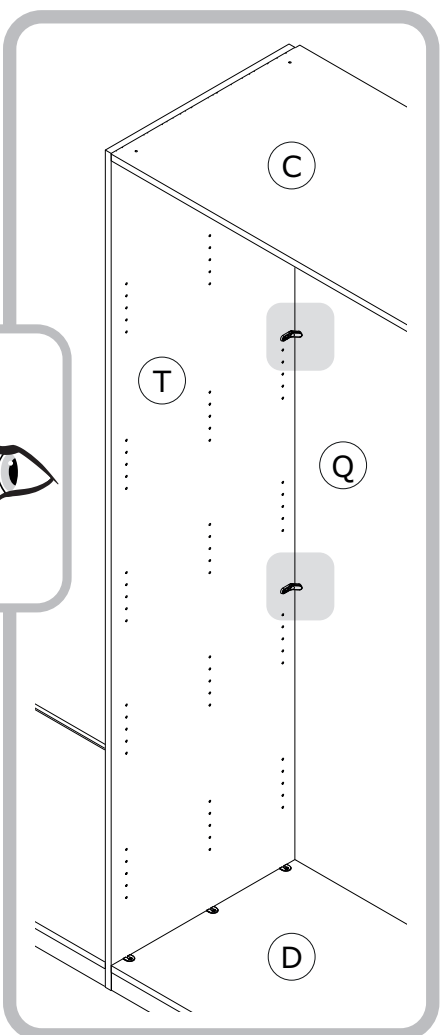
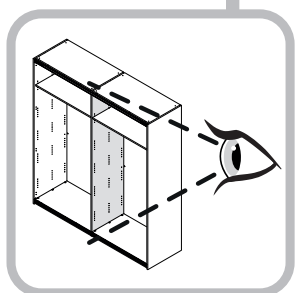
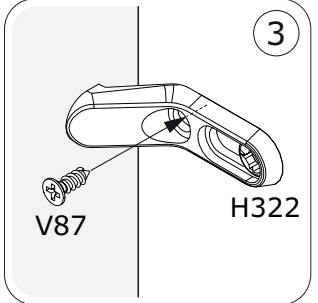
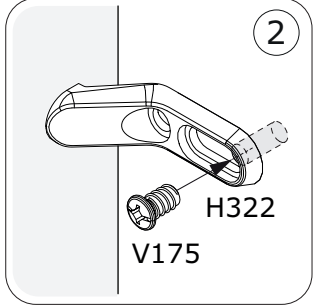
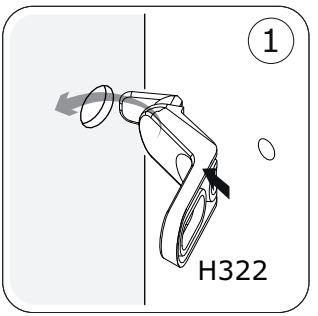
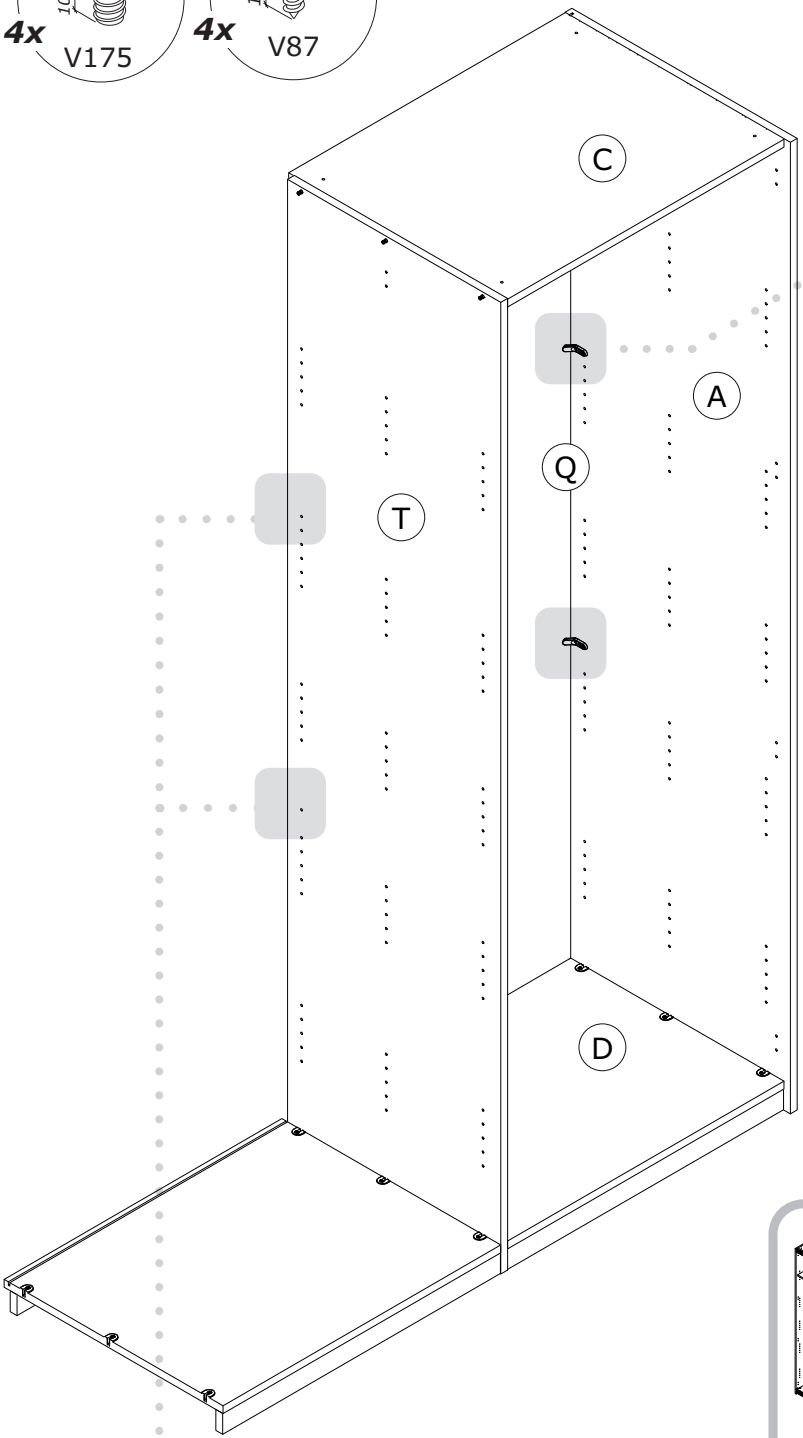
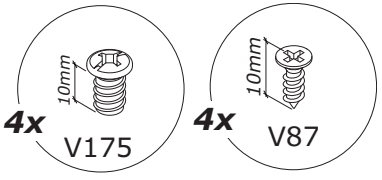
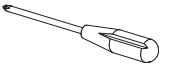


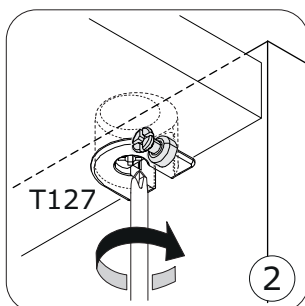
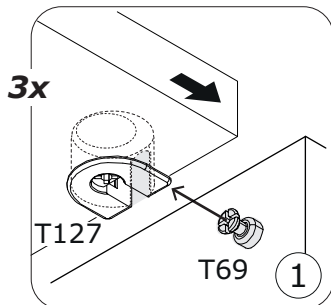
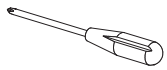
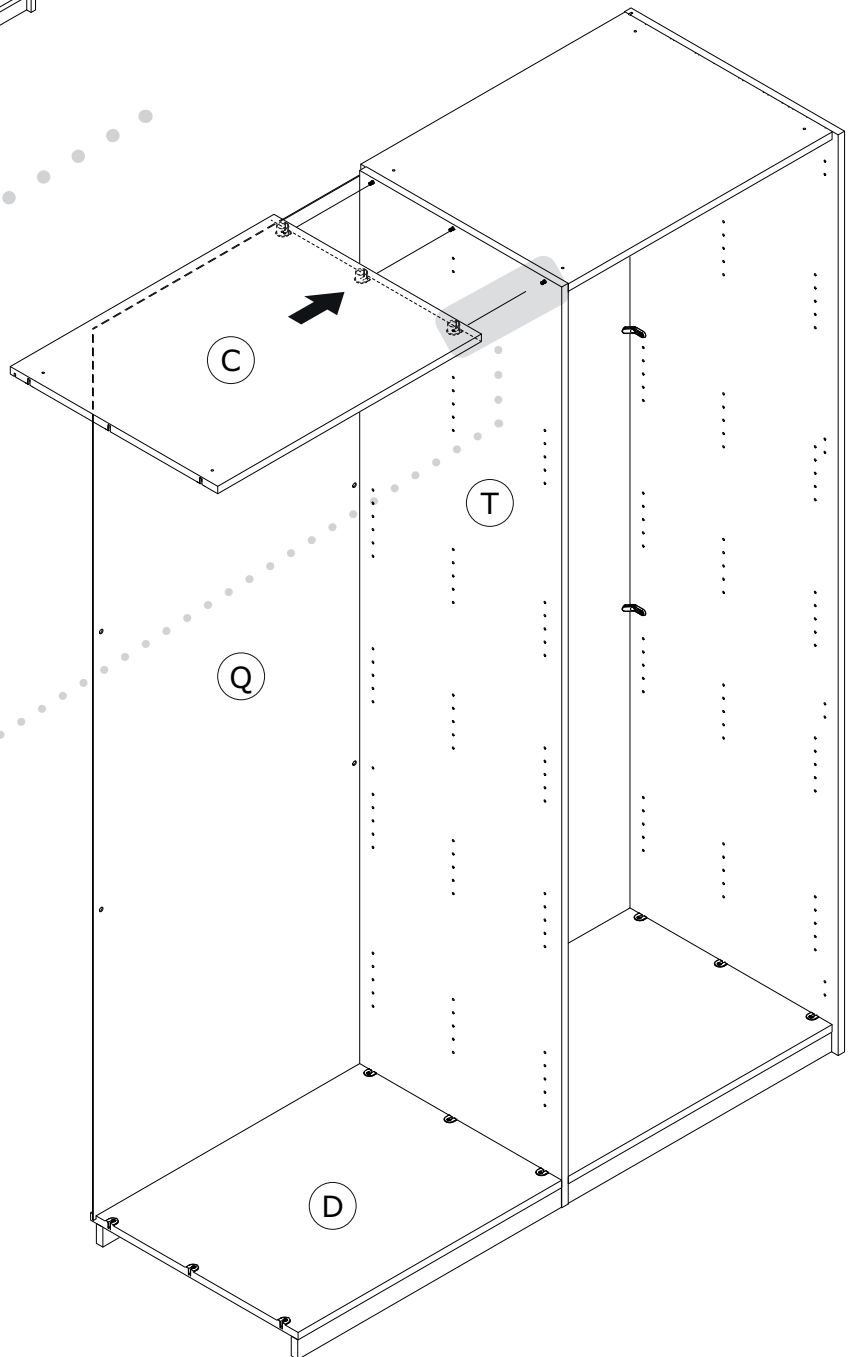
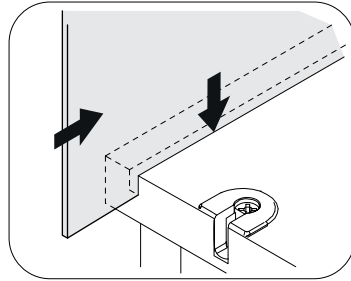
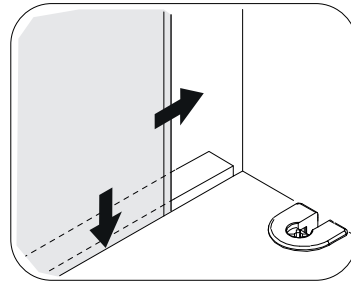
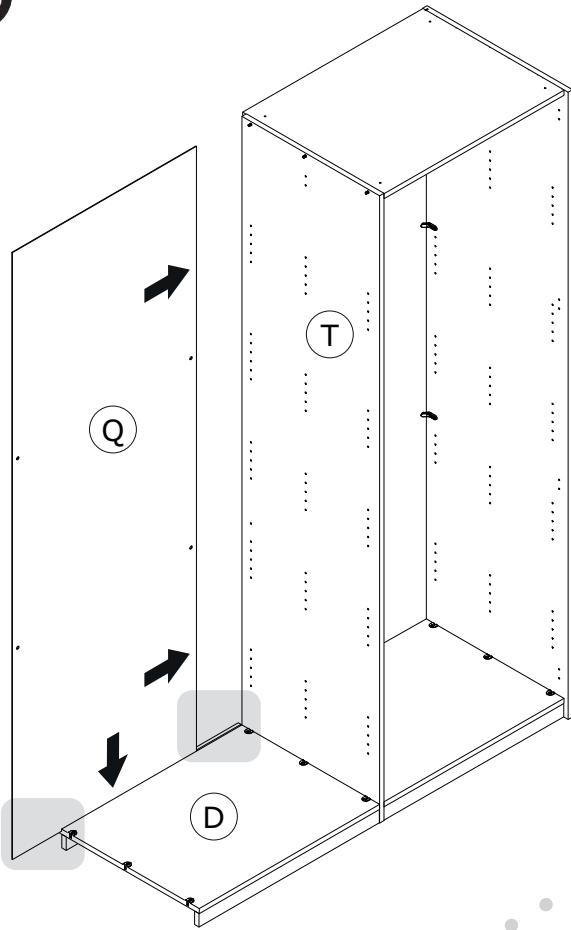
9

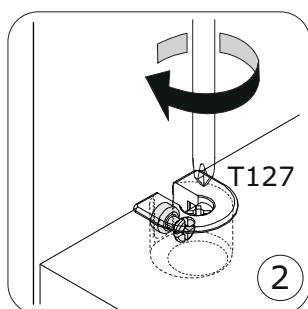
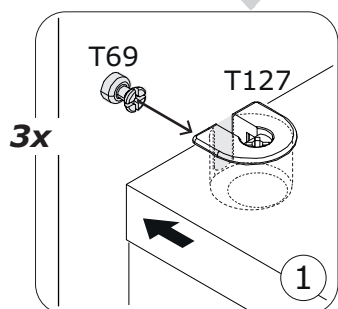
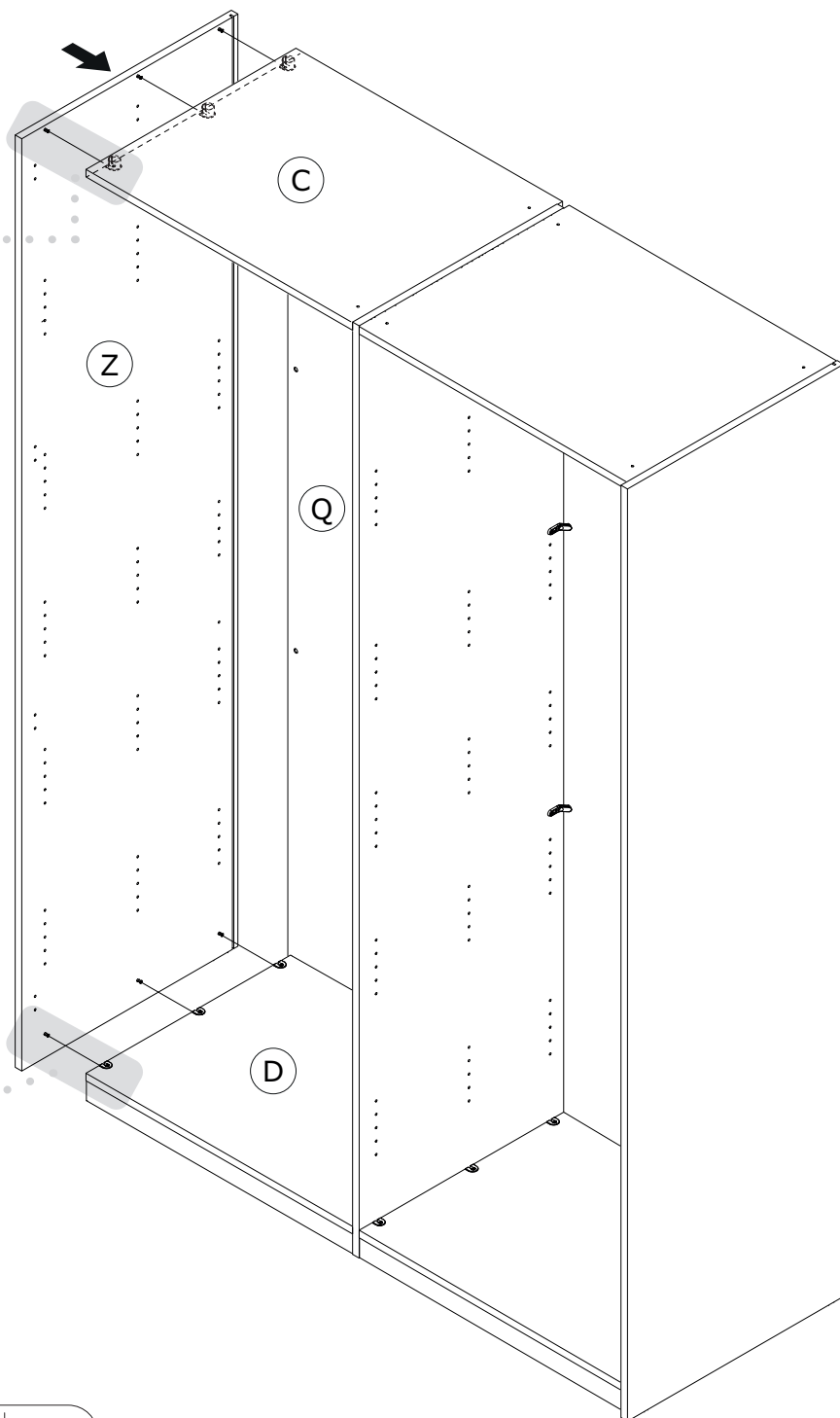
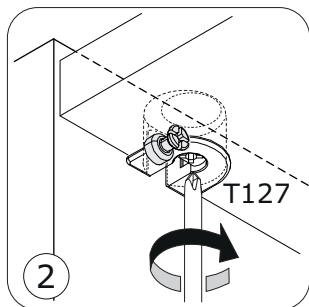
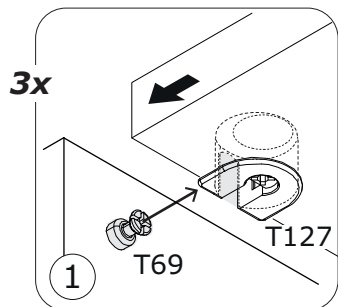
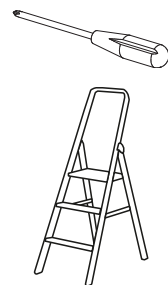


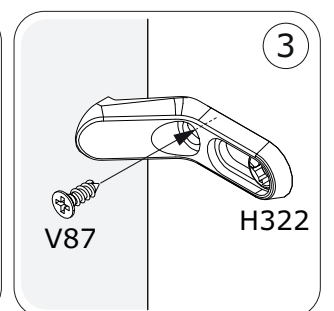
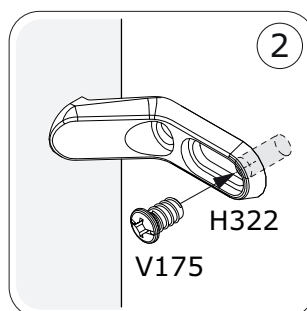
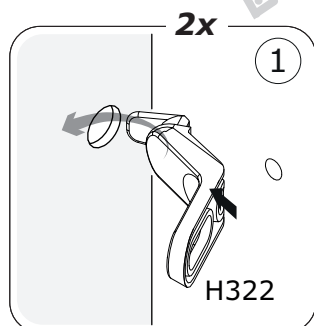
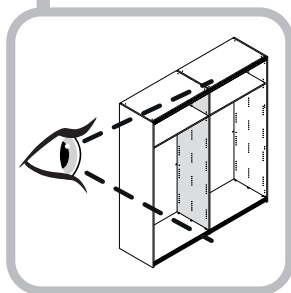
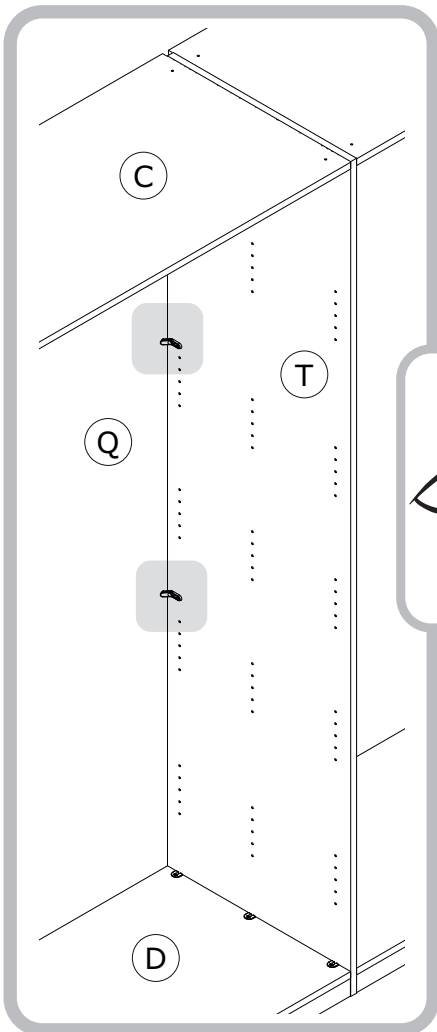
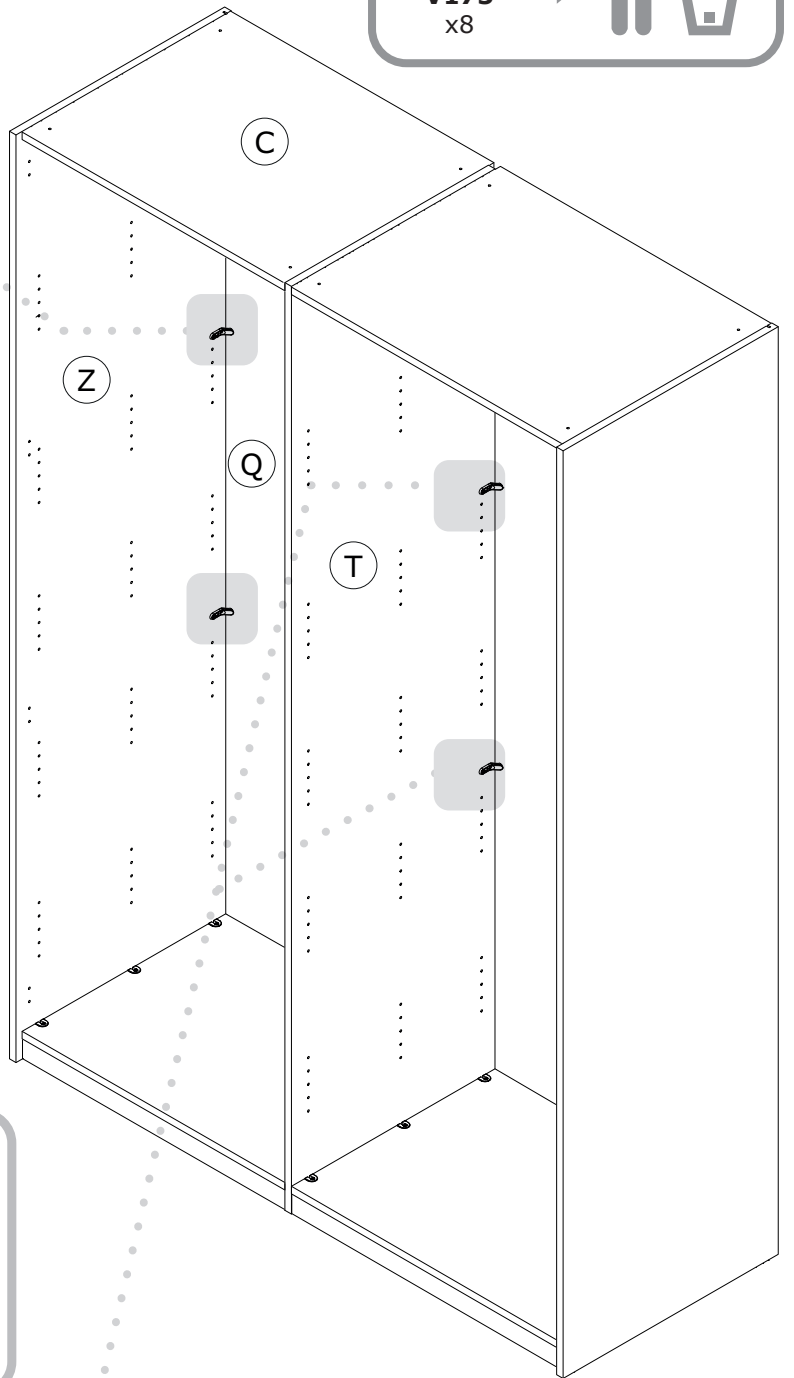
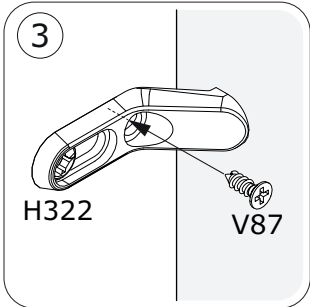
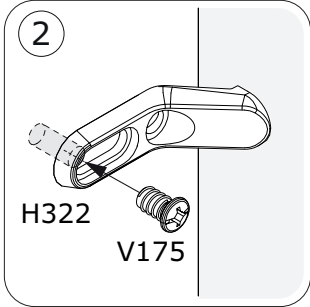
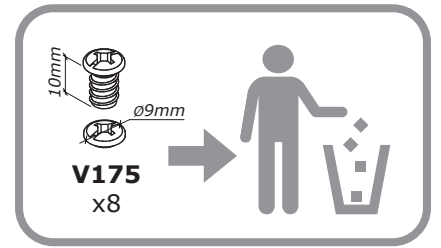
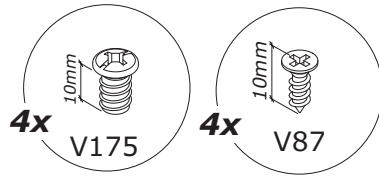
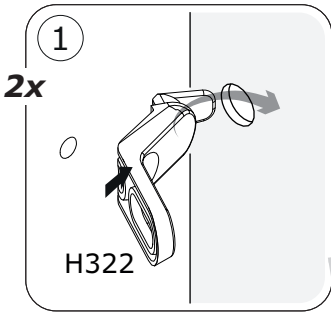
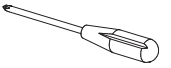


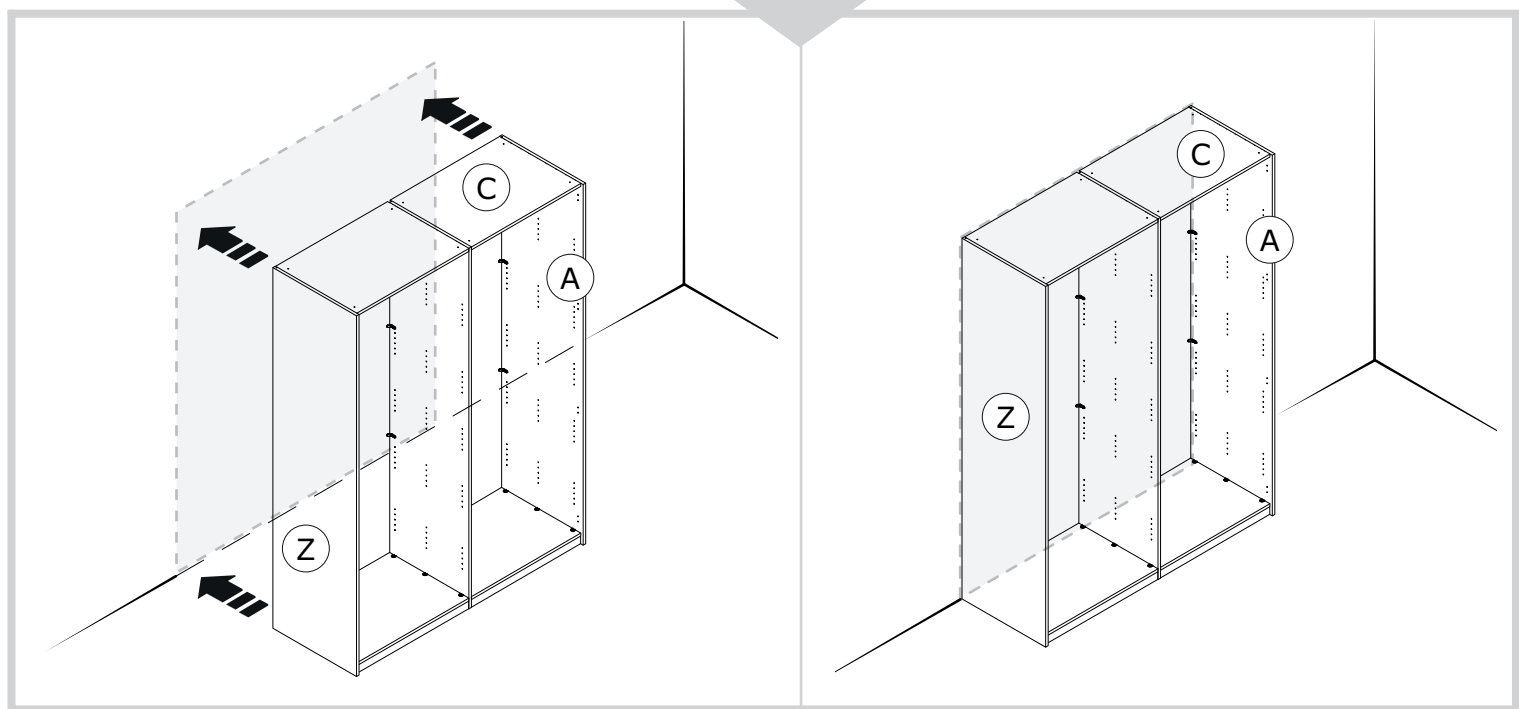
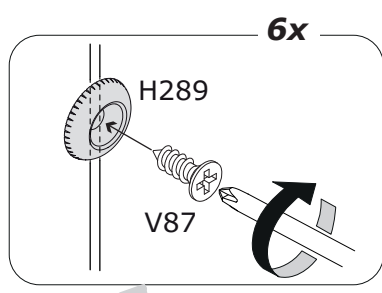
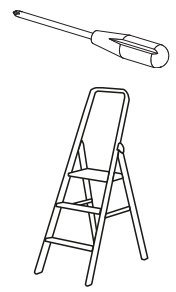
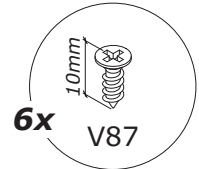
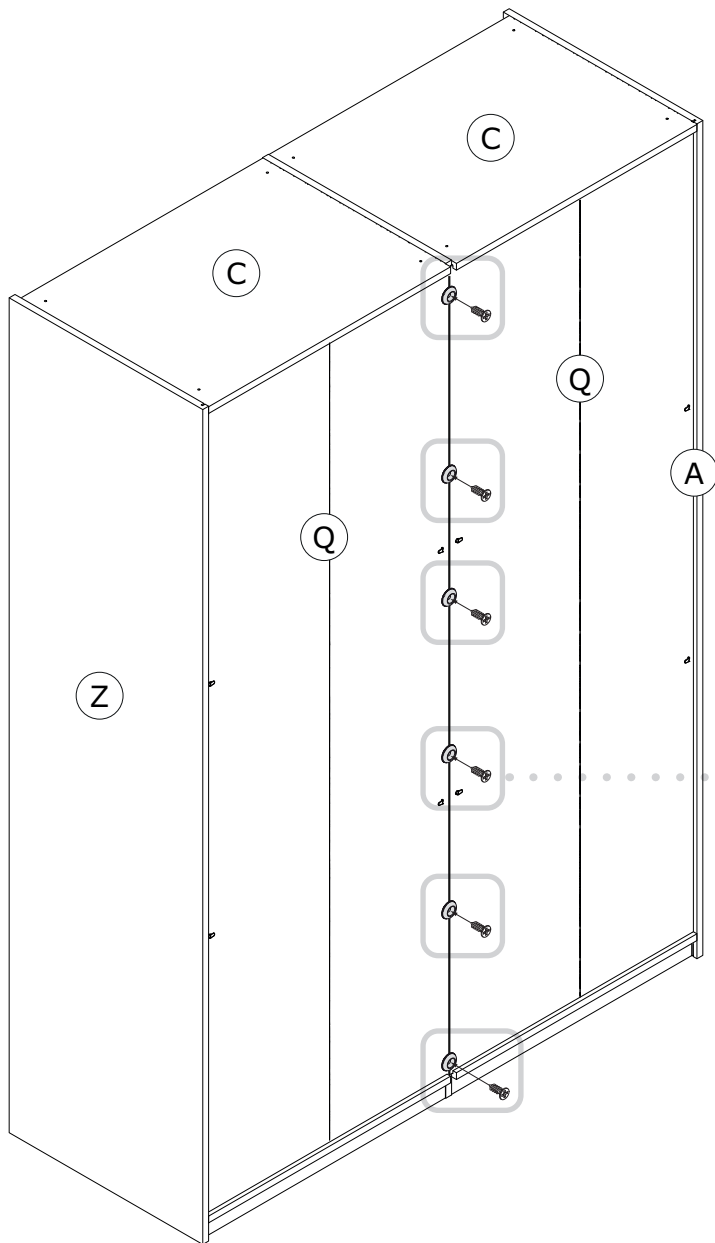


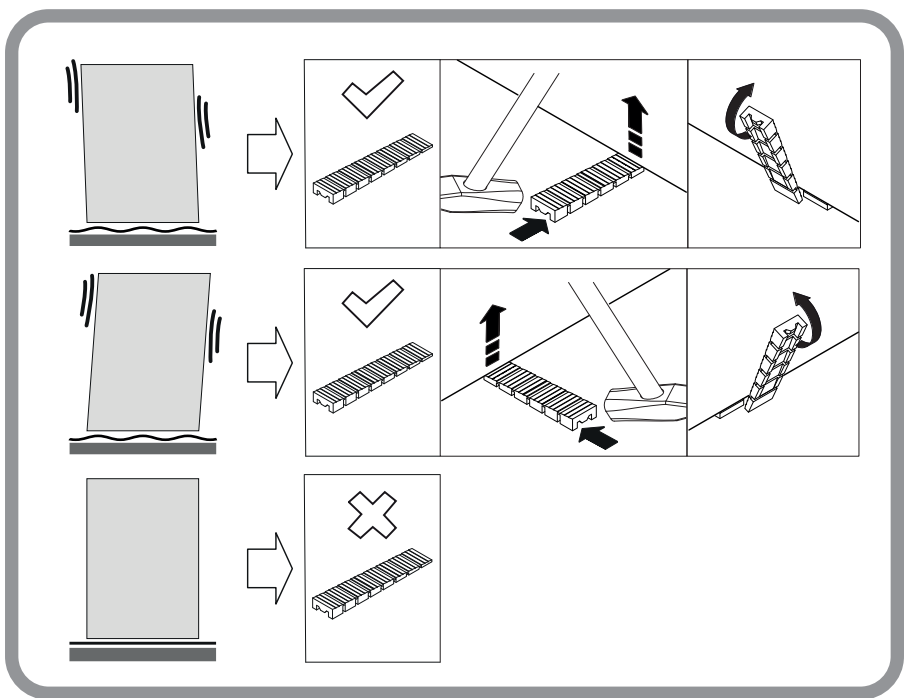
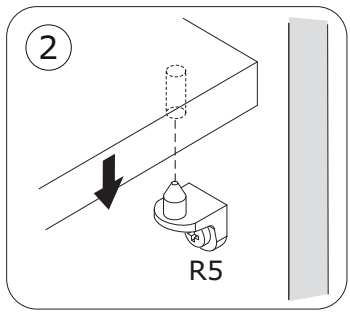
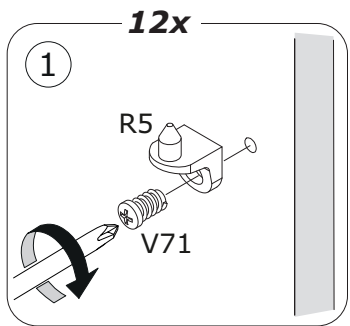
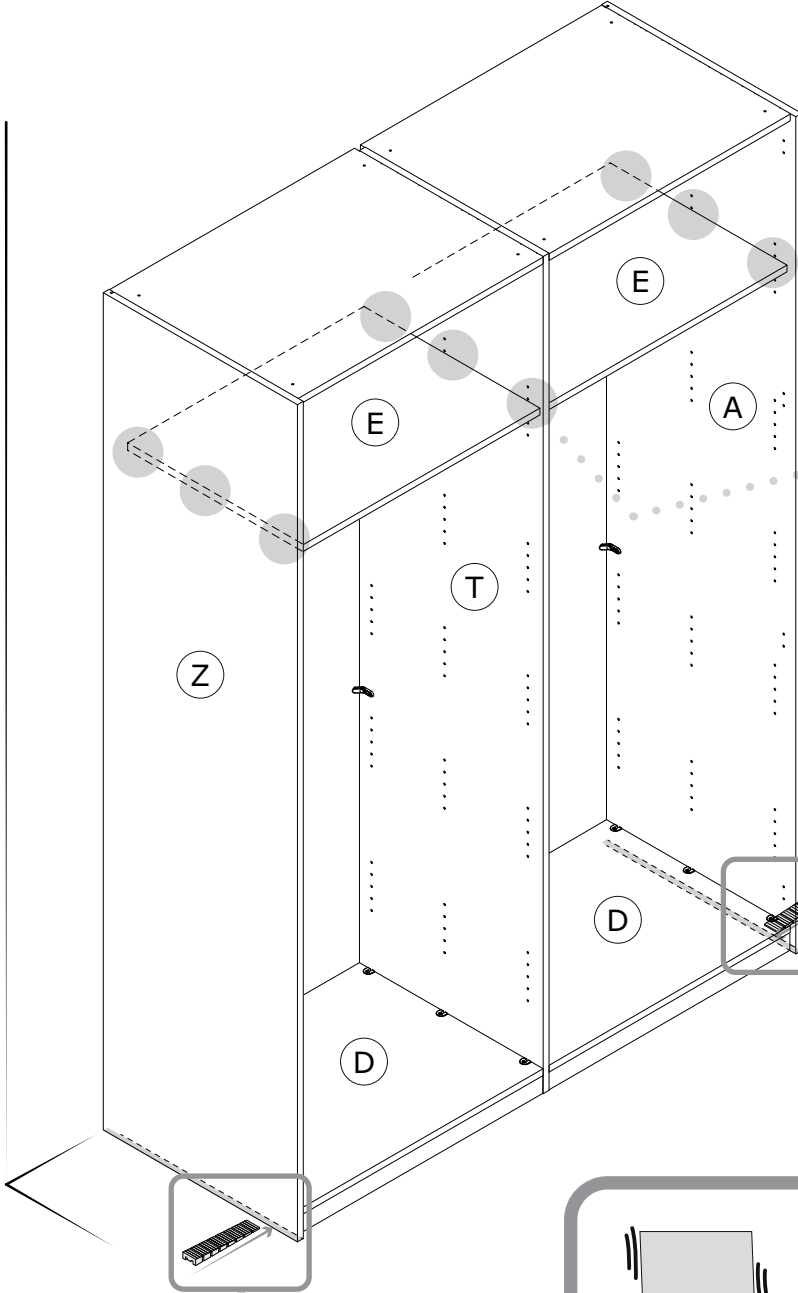
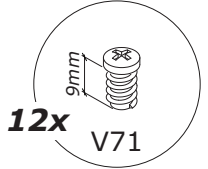
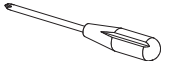


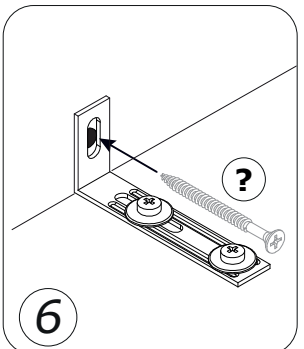
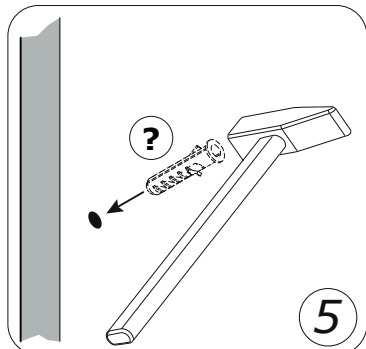
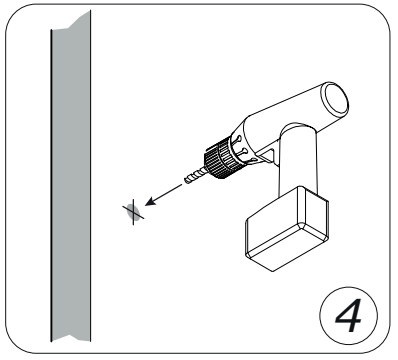
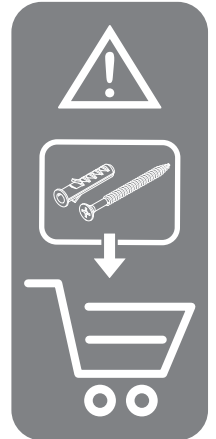
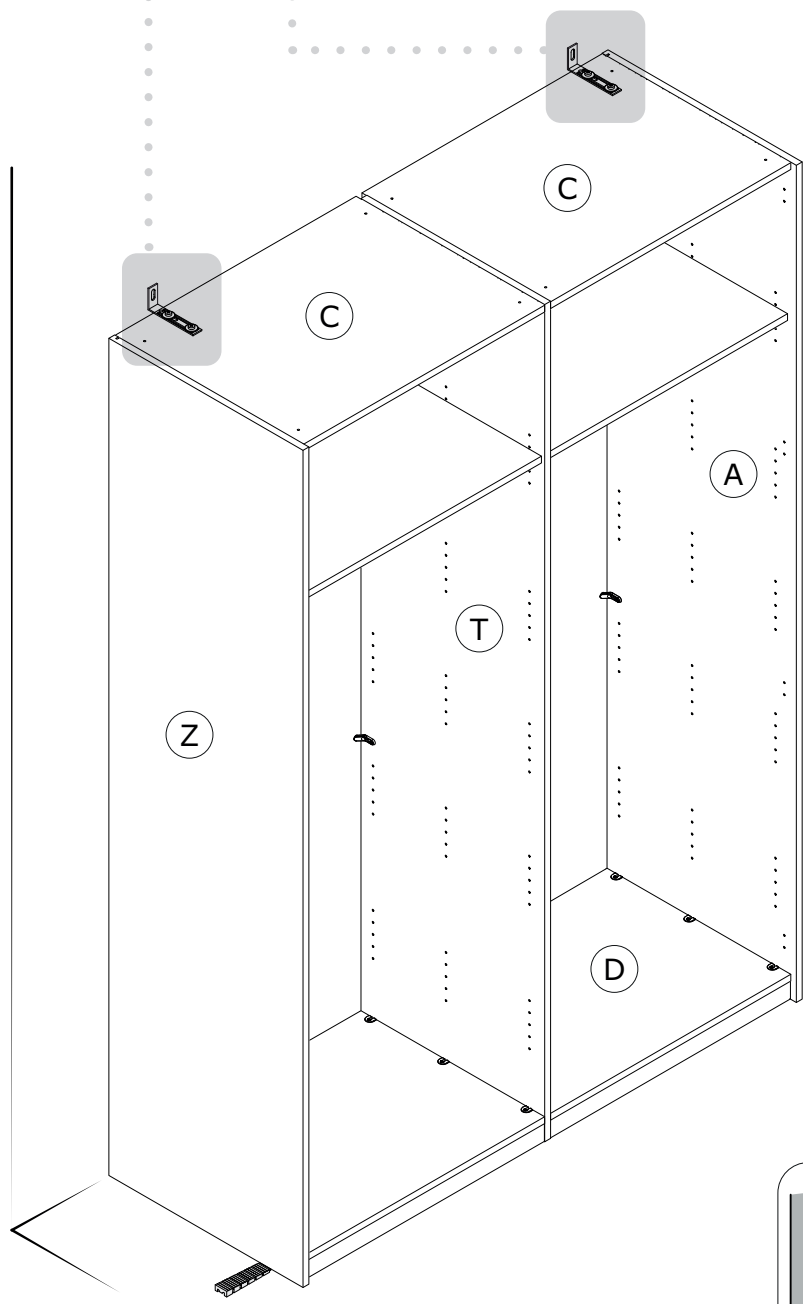
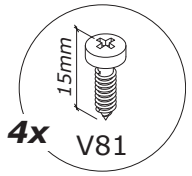
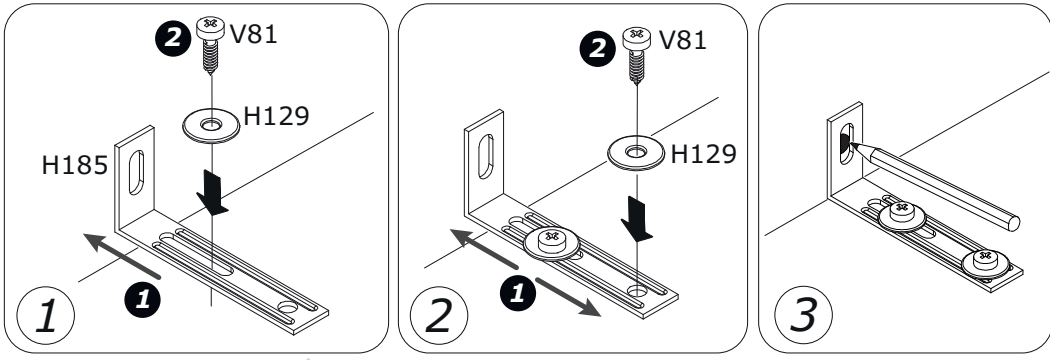
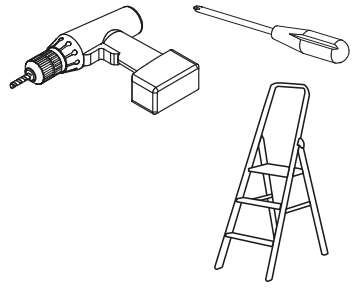


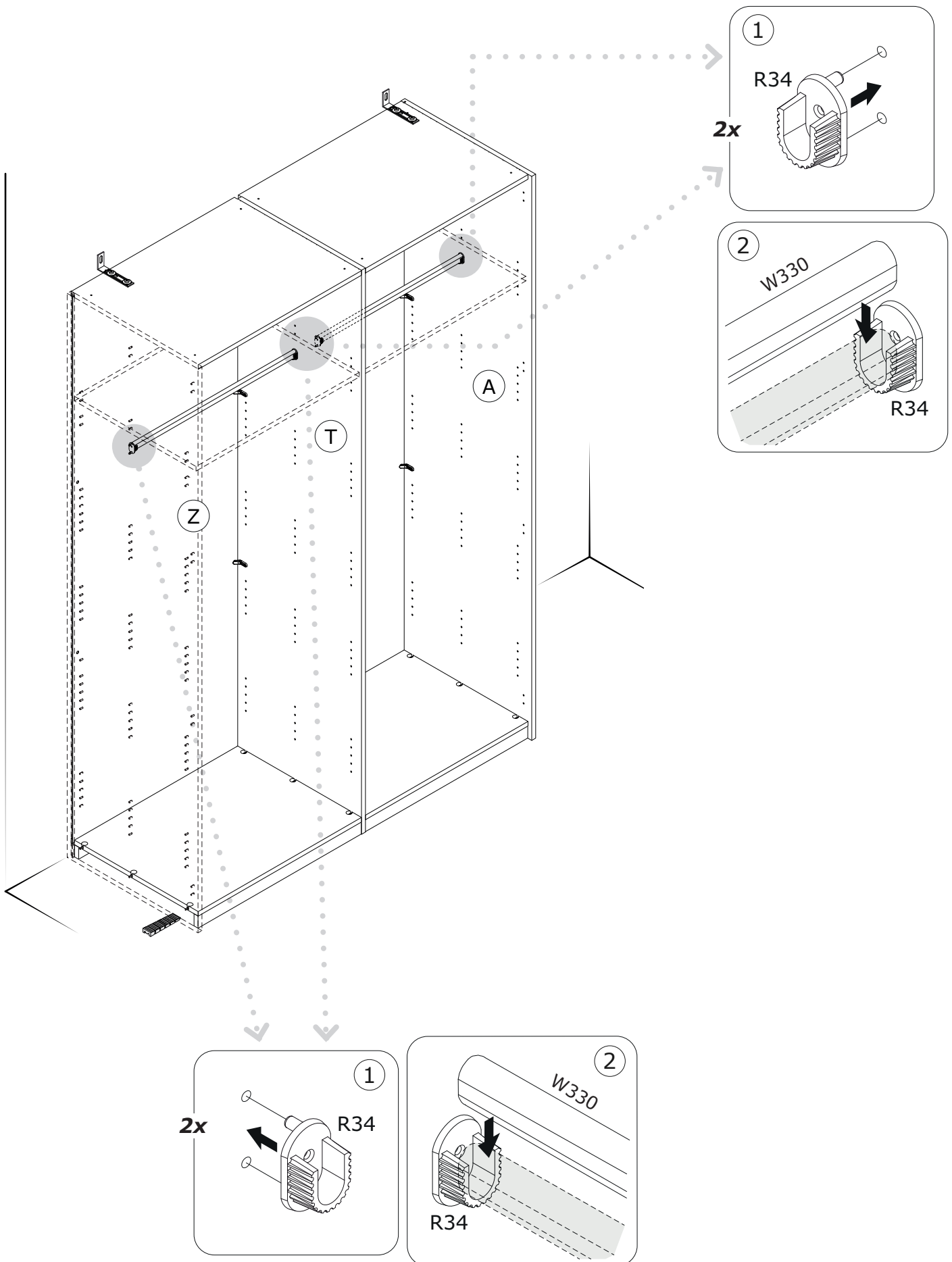


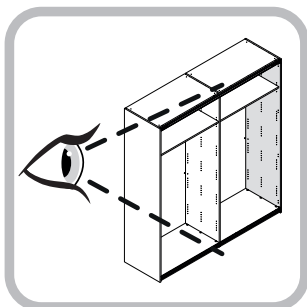
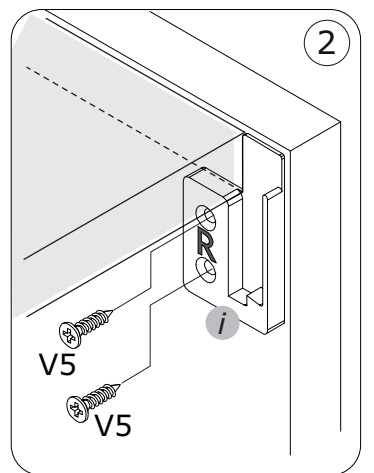
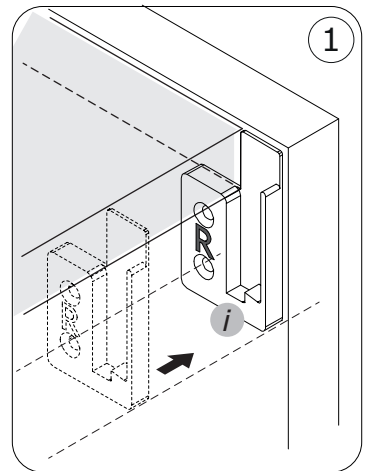
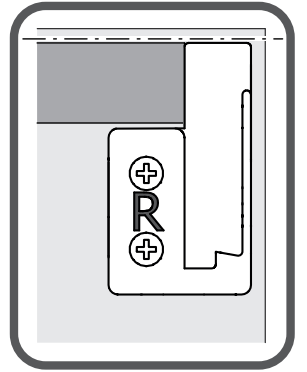
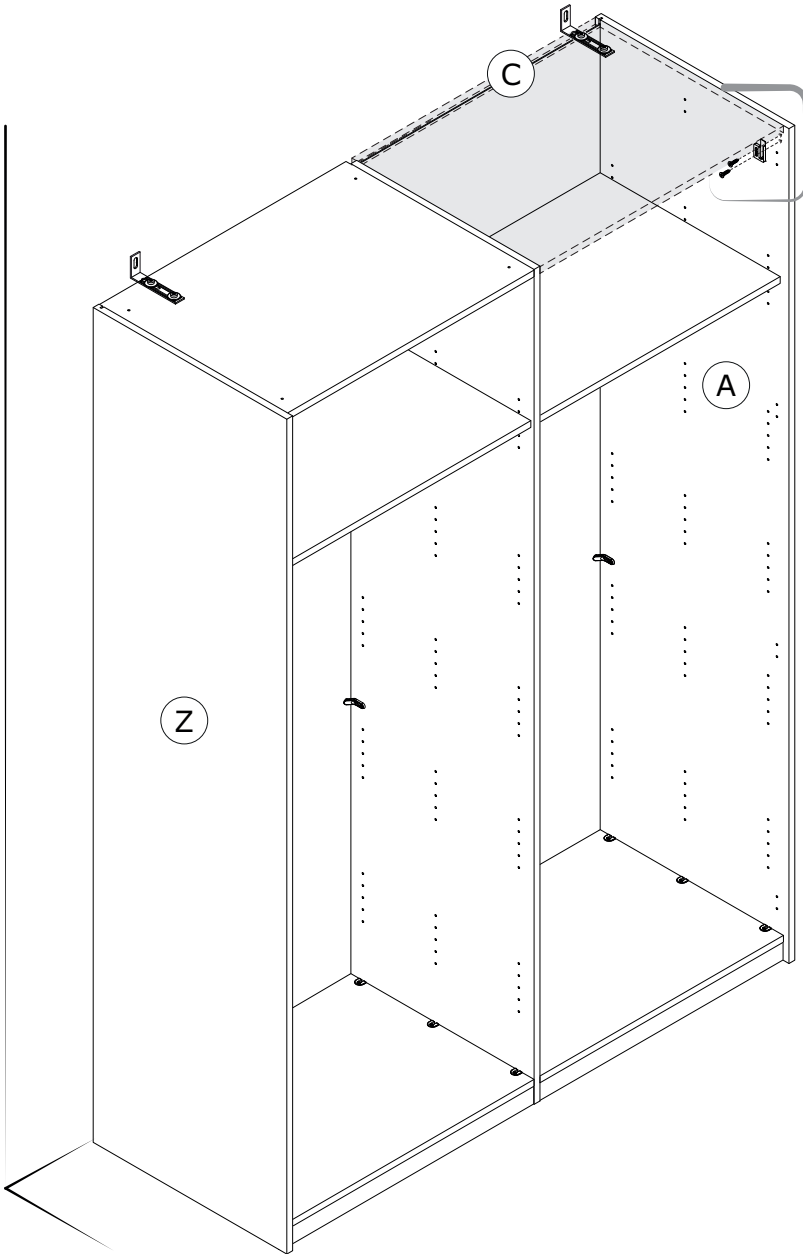
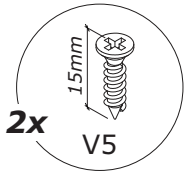
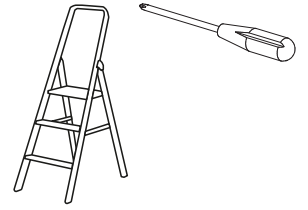


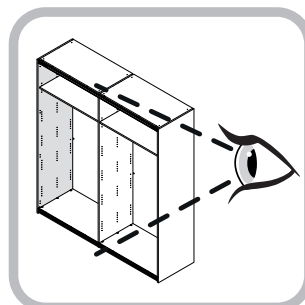
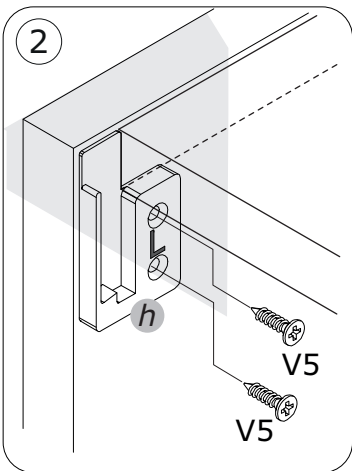
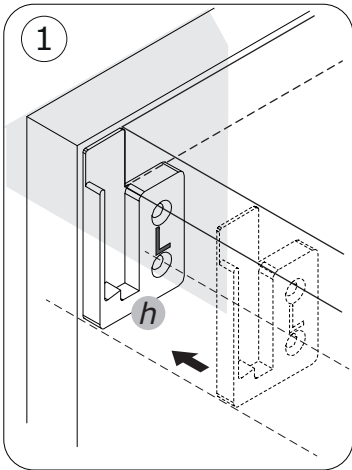
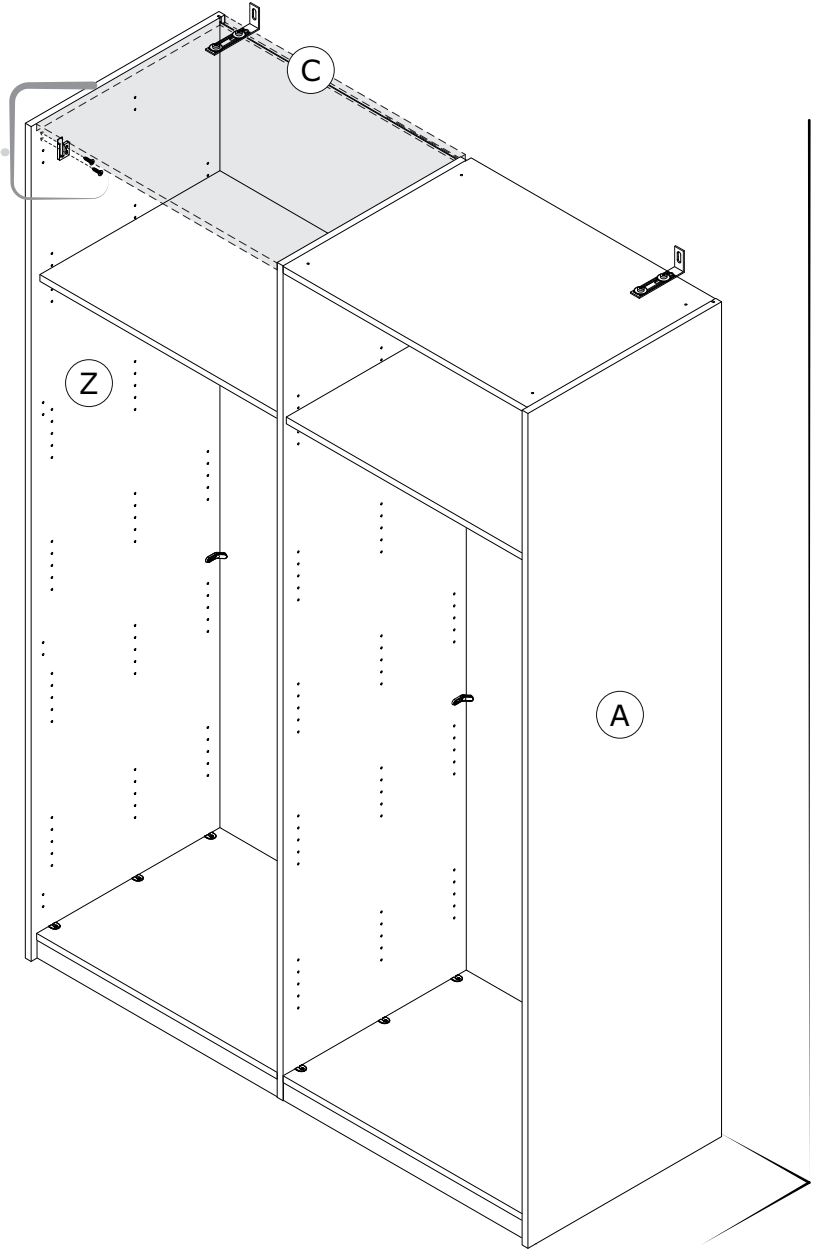
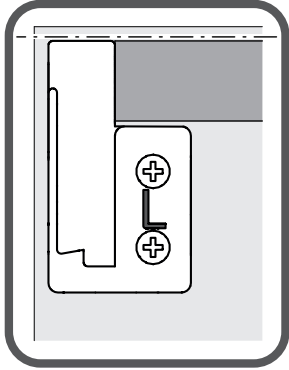
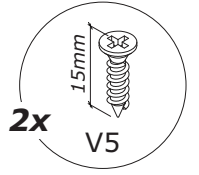
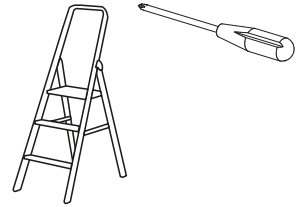


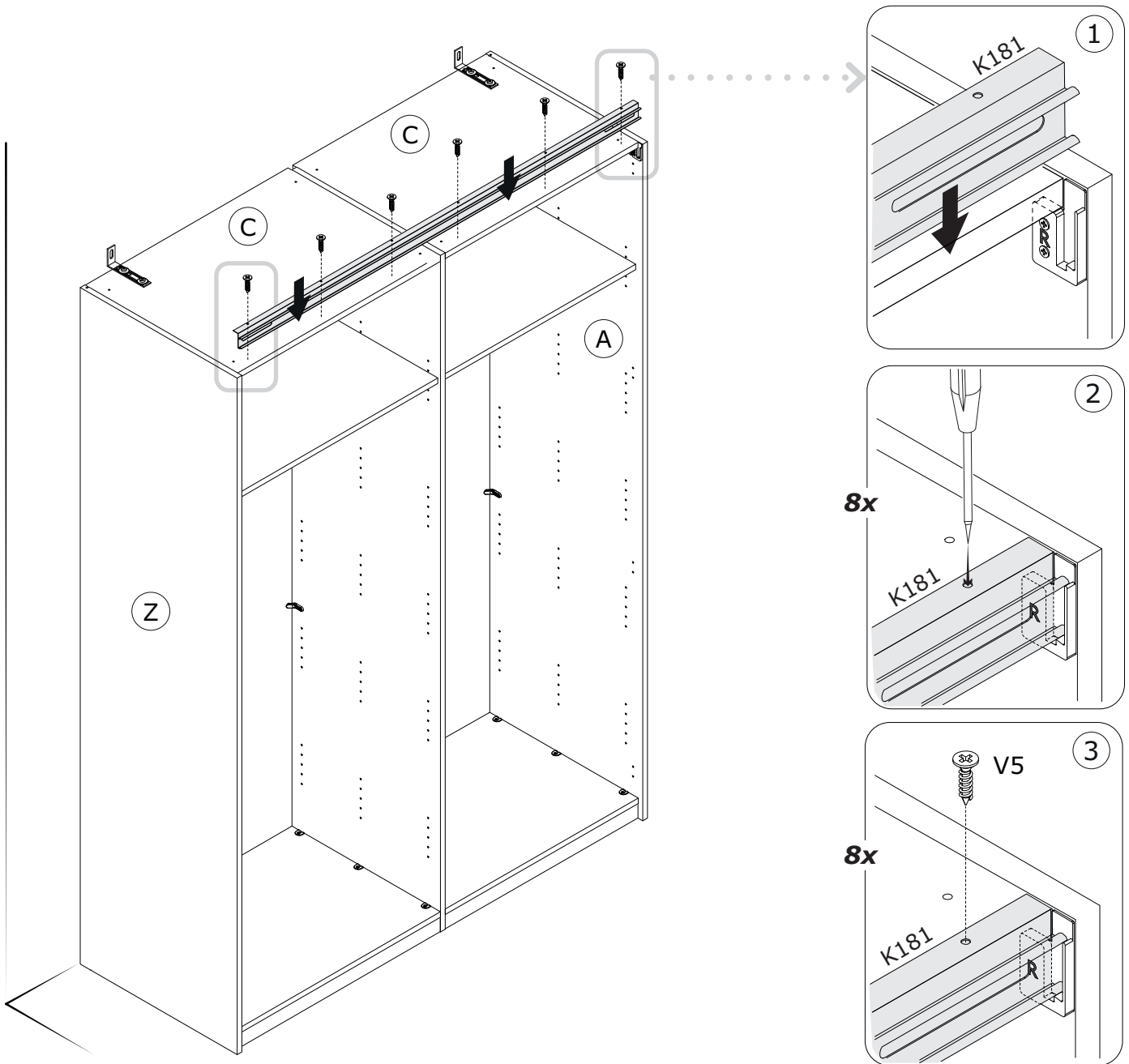
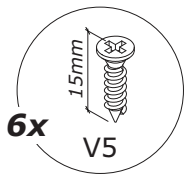
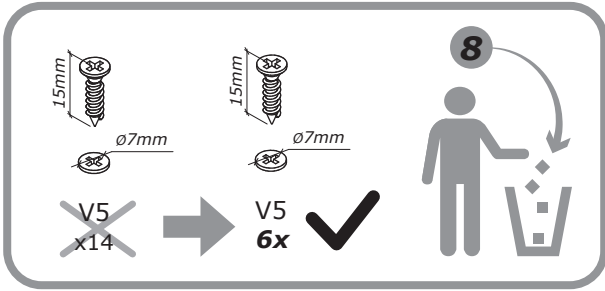
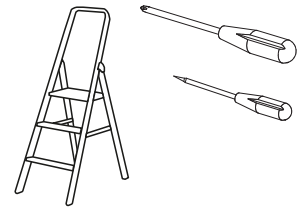


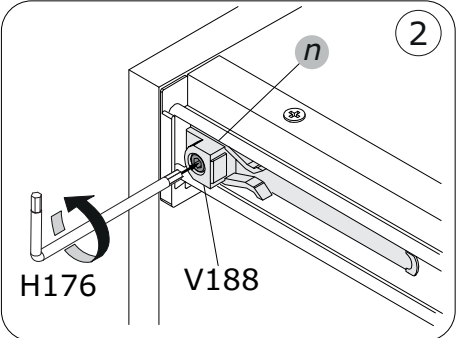
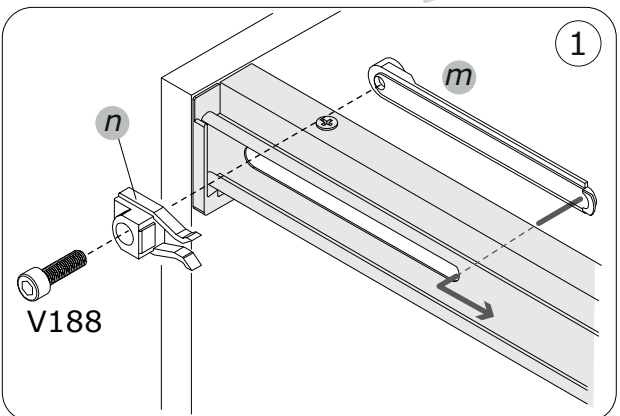
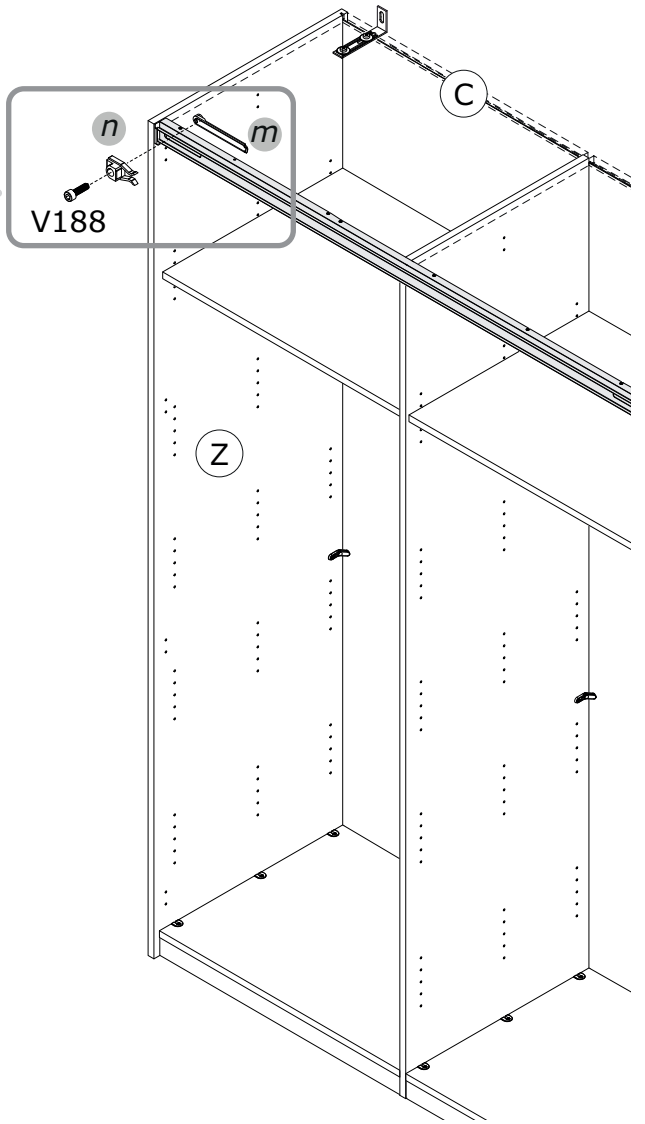
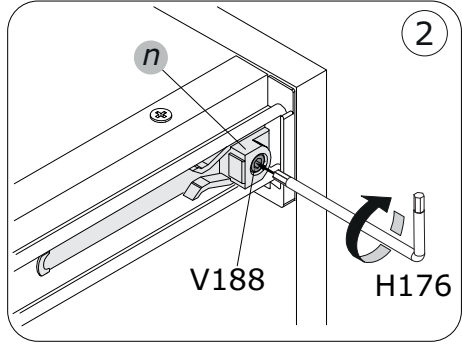
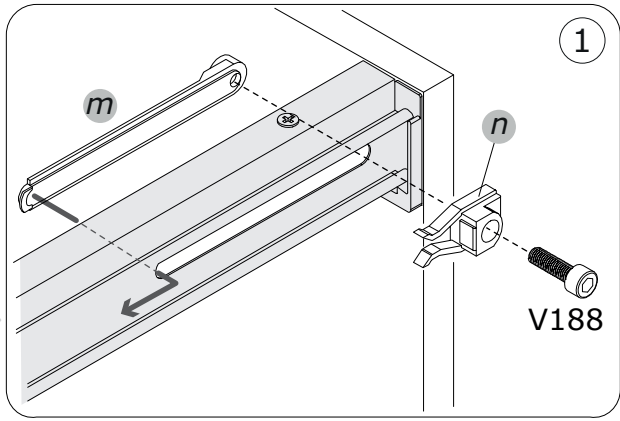
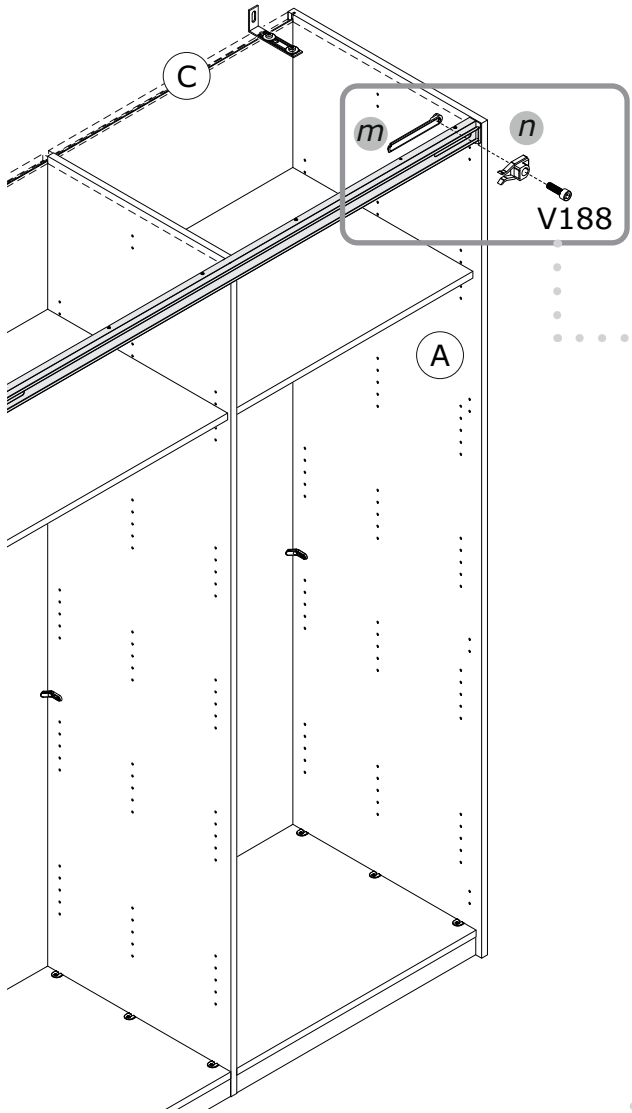


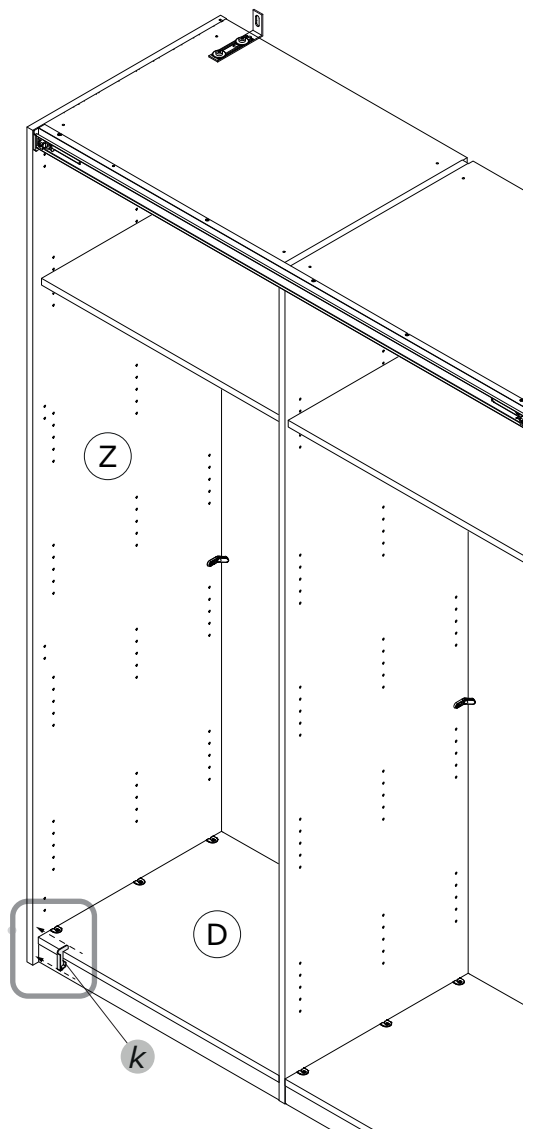
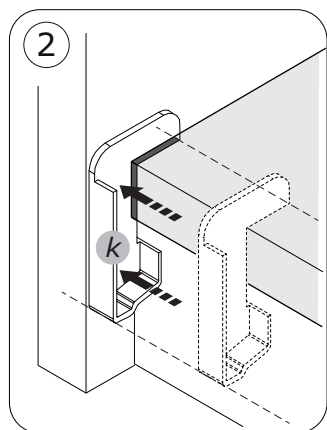
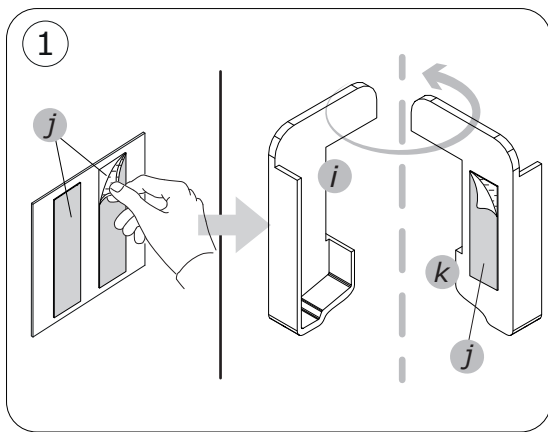
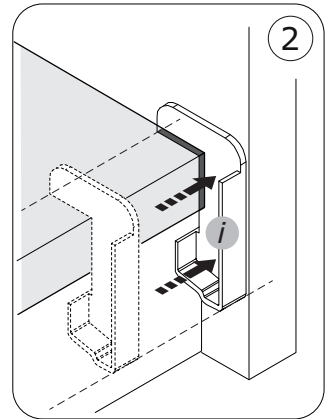
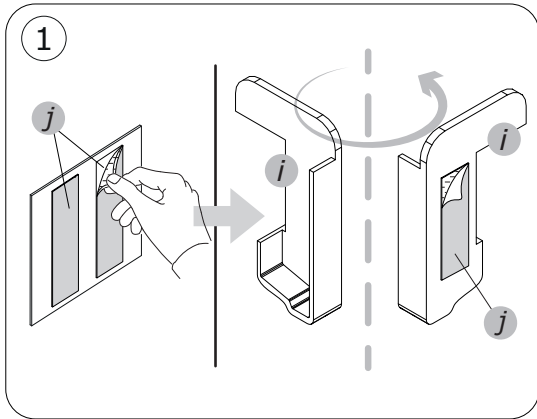
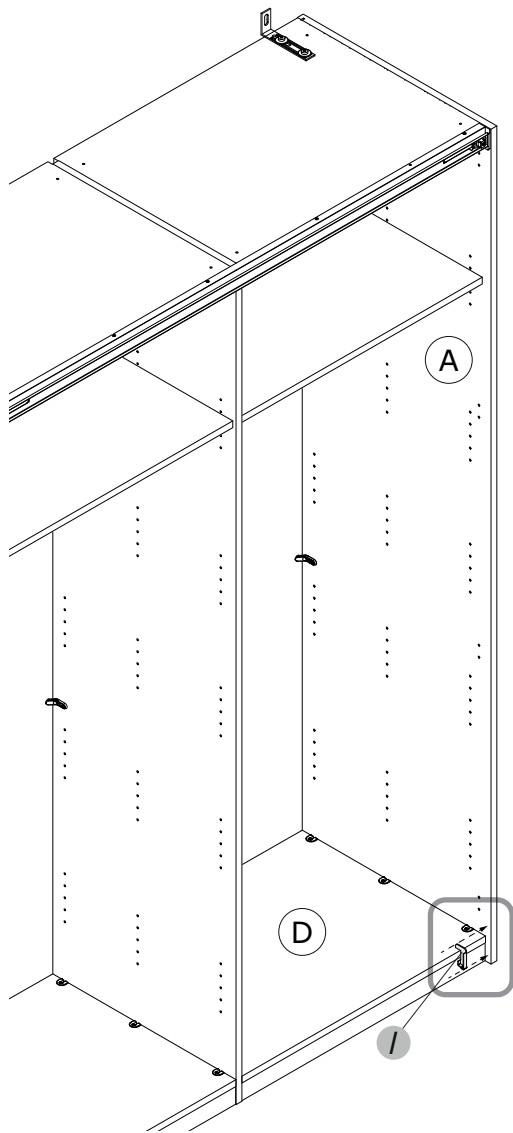


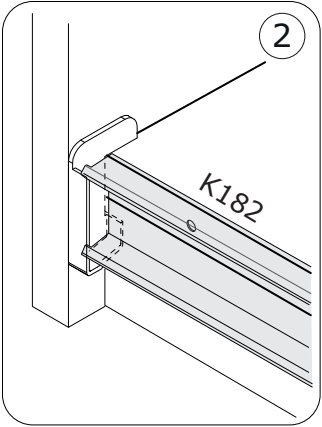
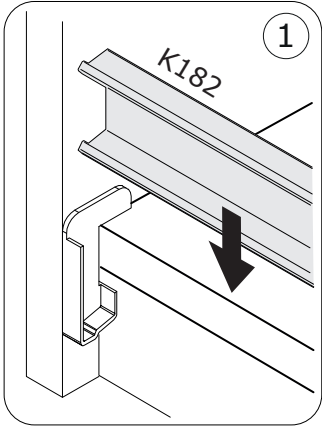
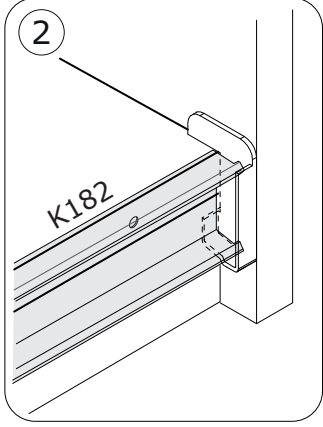
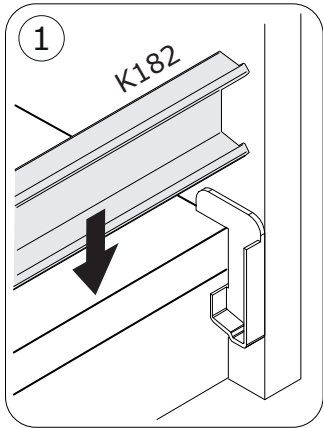
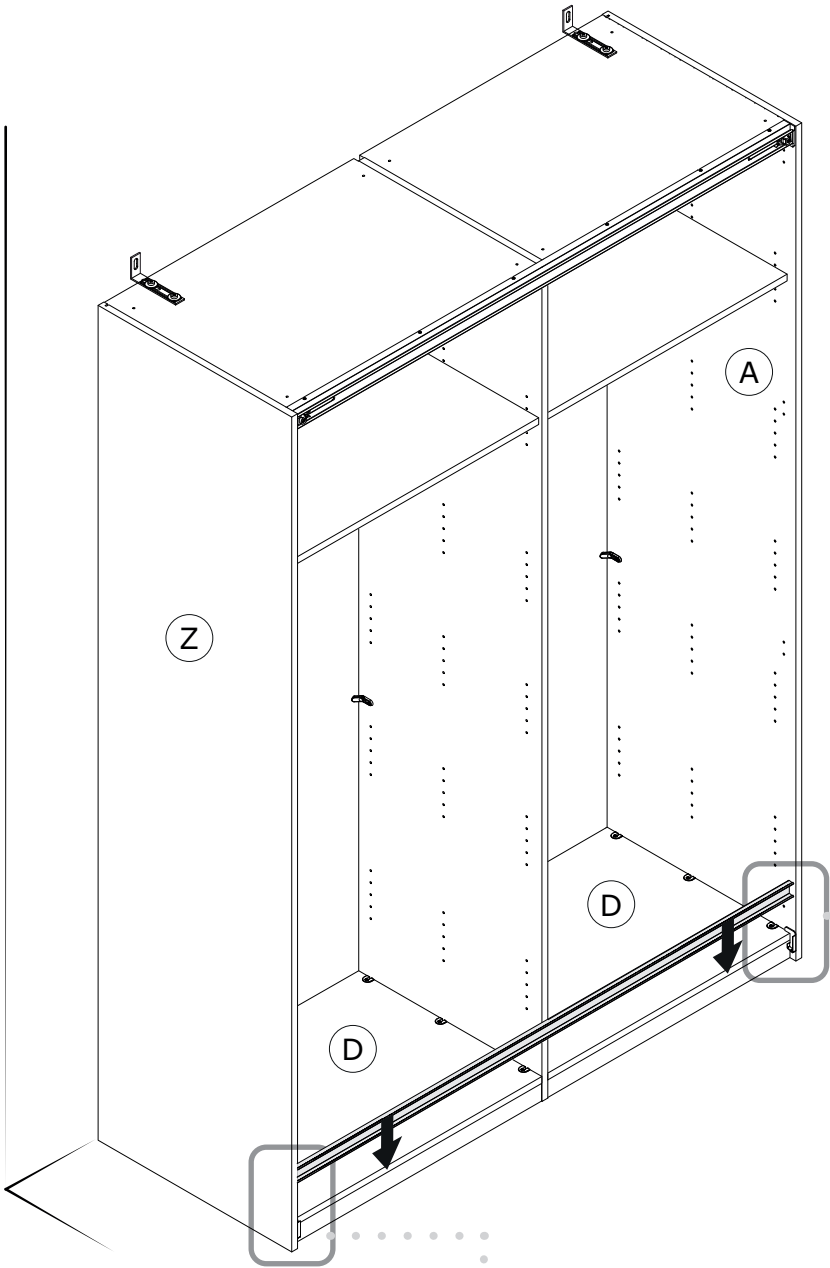
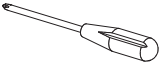


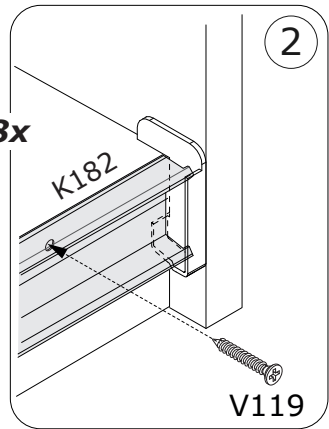
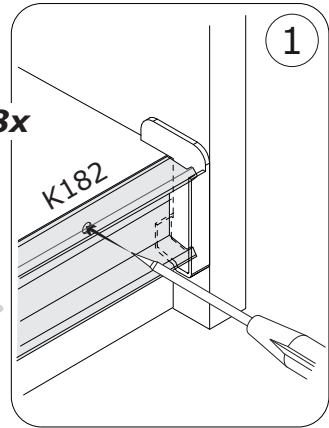
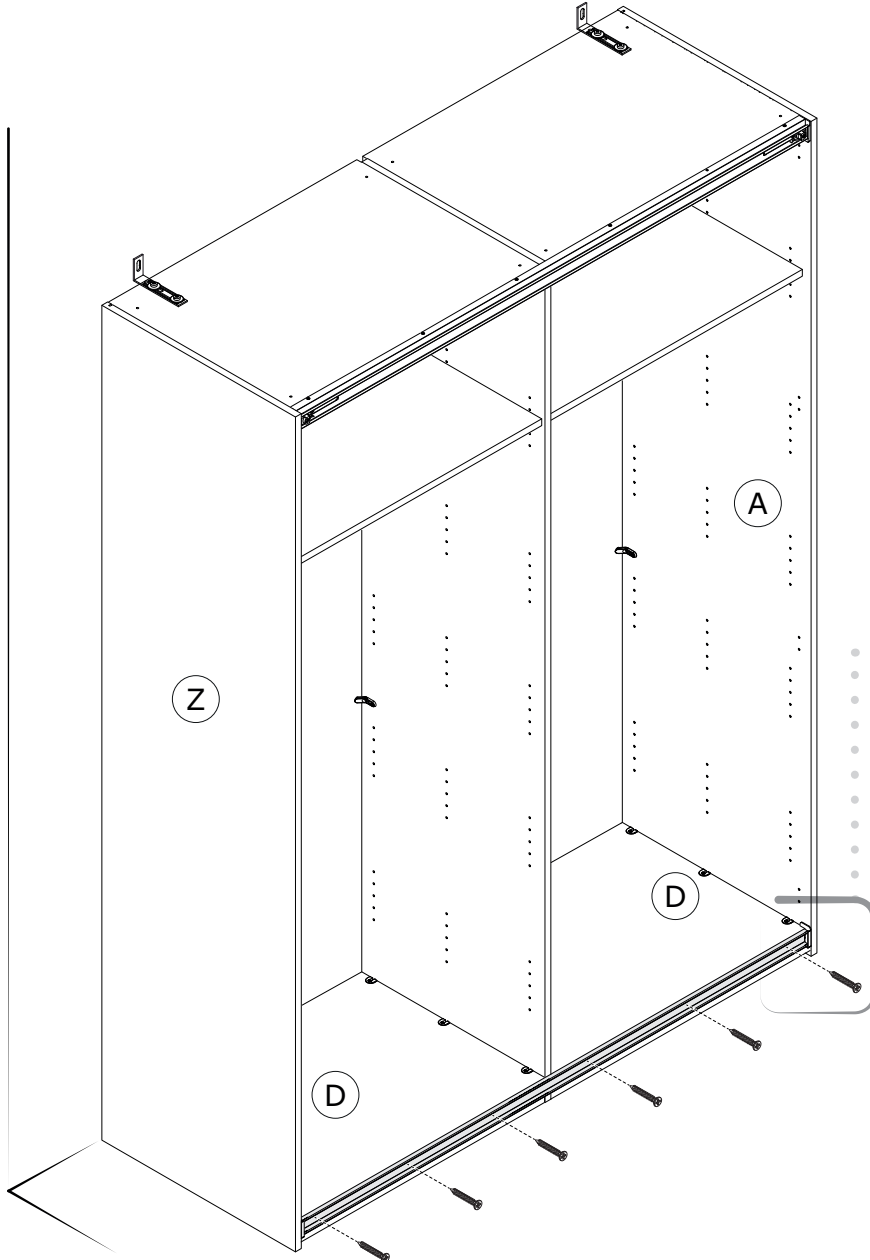
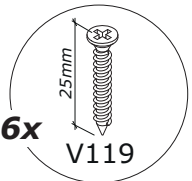
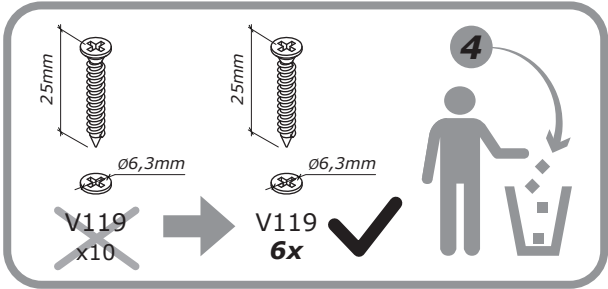
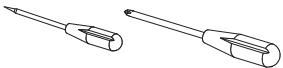




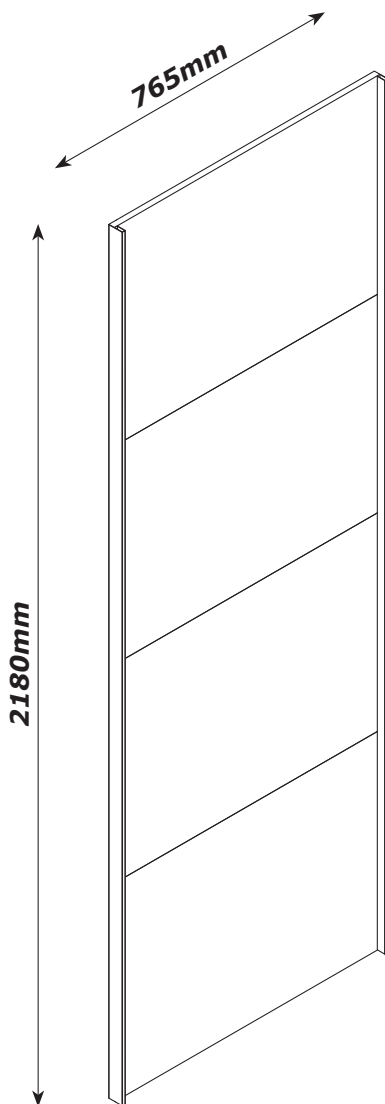






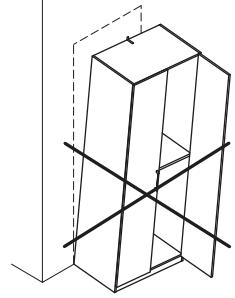
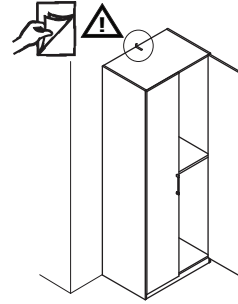
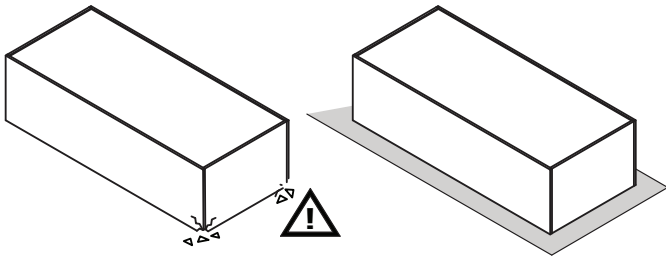
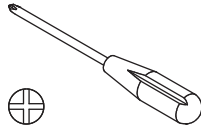
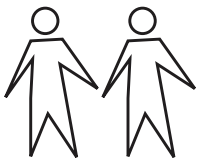


# DOORS

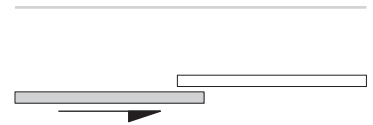
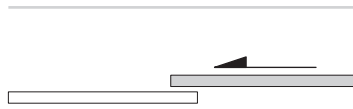
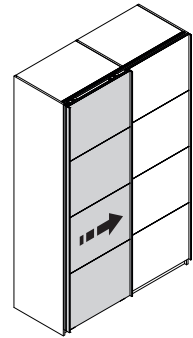
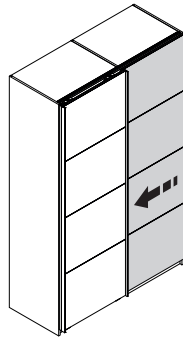
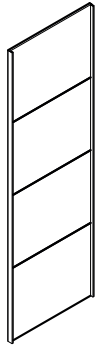


QF5515





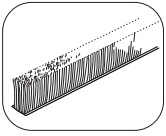
**2x**



**A**

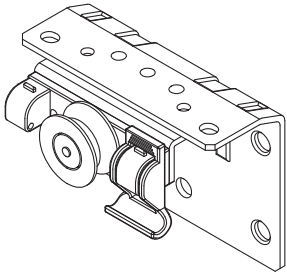
**B**

# CF8988

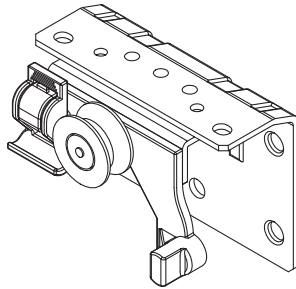


**H203** x1  
L2170mm - H13mm

## CF0227



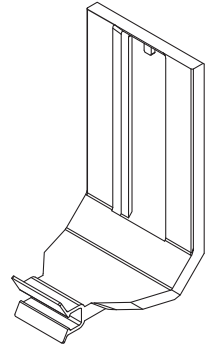
**a** x1  
80x51x60mm



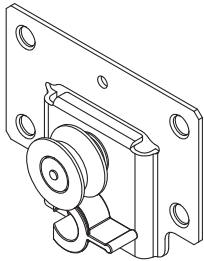
**b** x1  
80x51x60mm



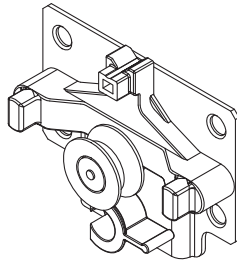
**c** x4  
21x5x49mm



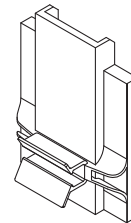
**d** x2  
44x48x84mm



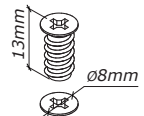
**e** x1  
80x22x60mm



**f** x1  
80x22x62mm

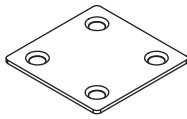


**g** x2  
44x19x60mm



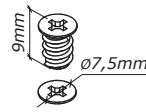
**V187**  
X24

## CF0198

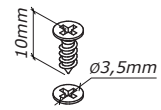


**W498**  
x12

## BU4631

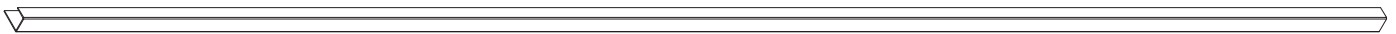


**V102**  
x64



**V87**  
x32

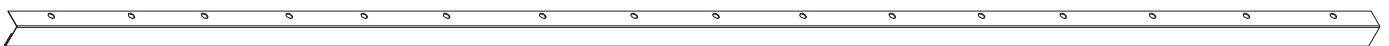
## CF



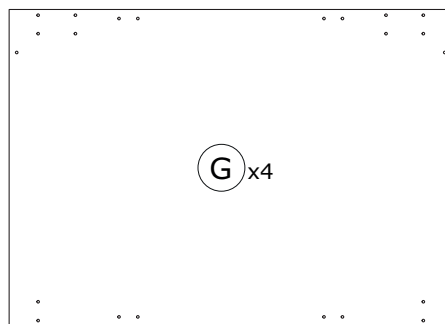
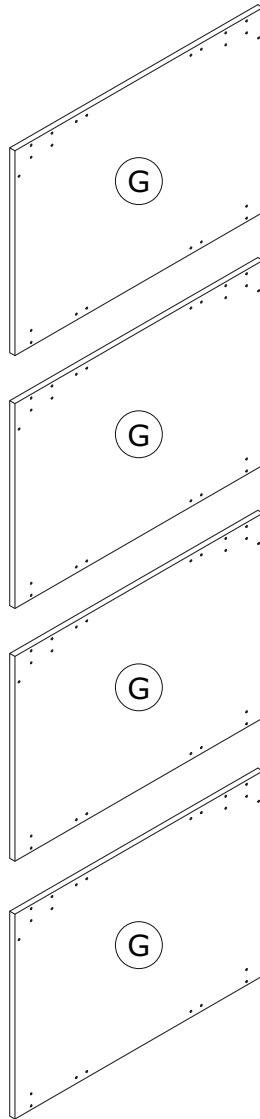
**M1** x1  
L. 2178mm



**M2** x3  
L. 2178mm

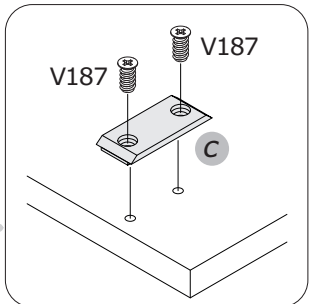
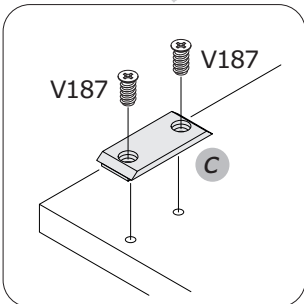
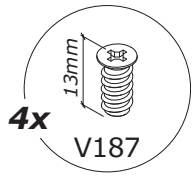
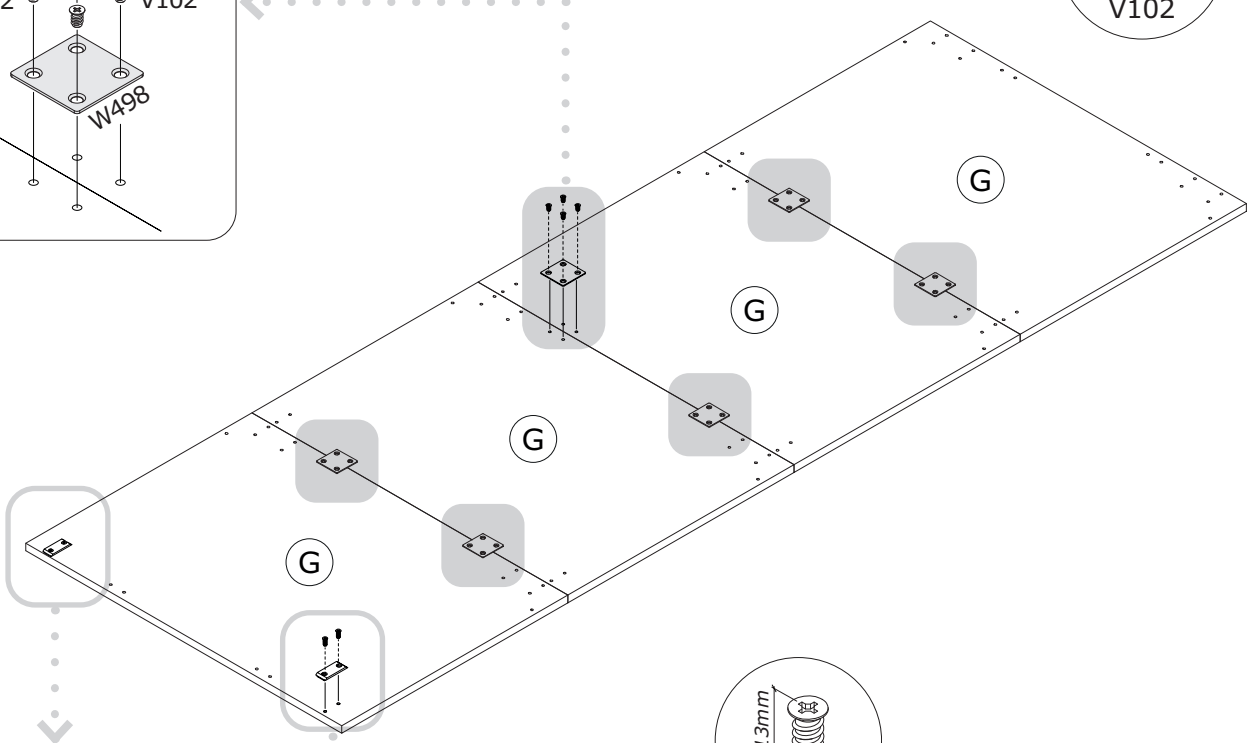
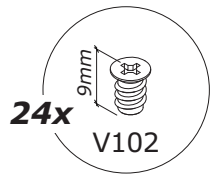
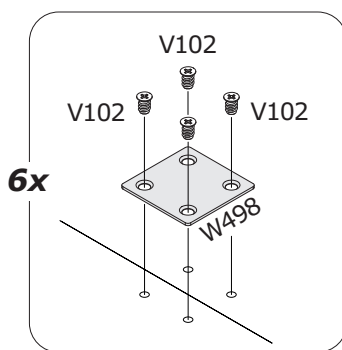
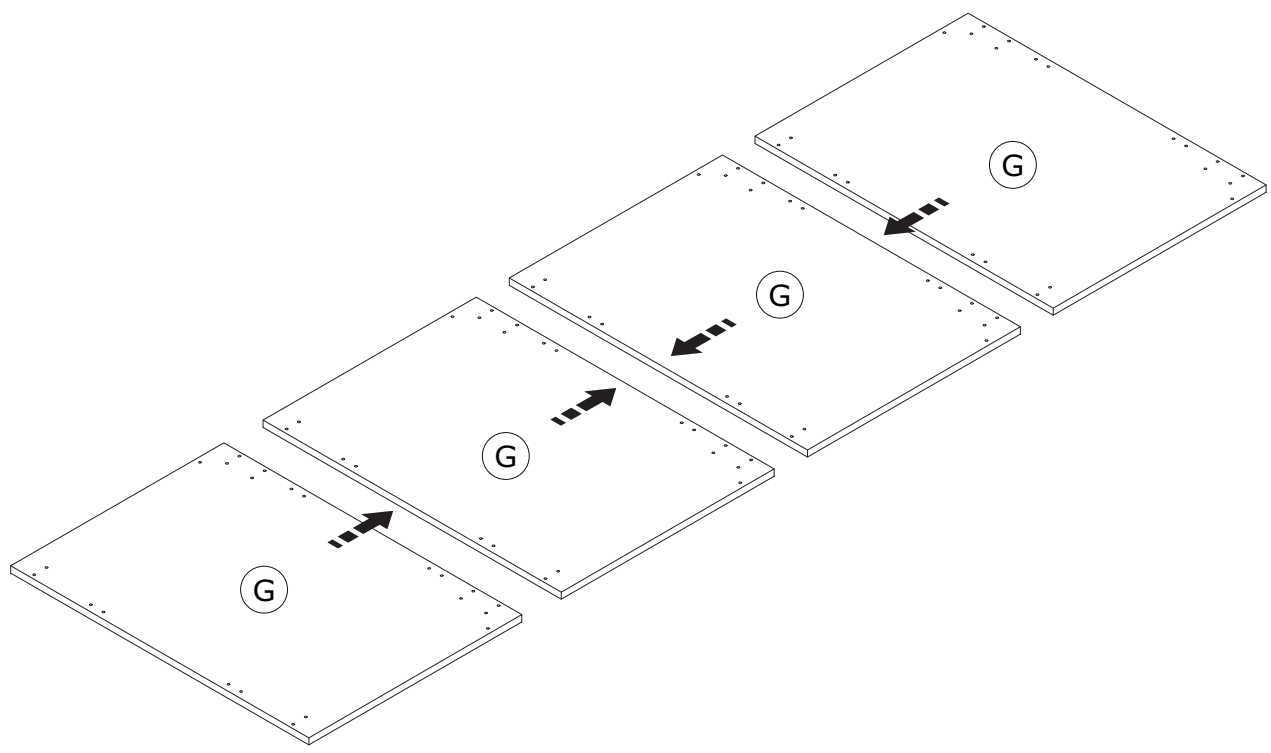
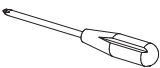


**FW** x1  
L. 2178mm

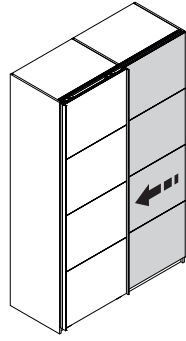


**AN3025**  
762x545x16mm

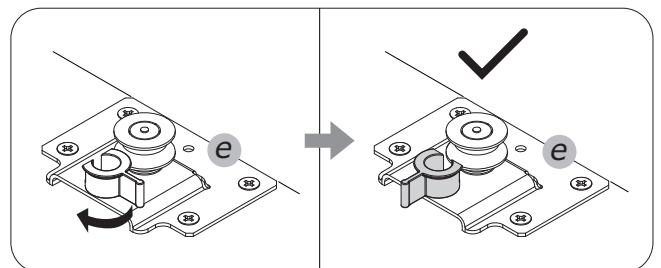
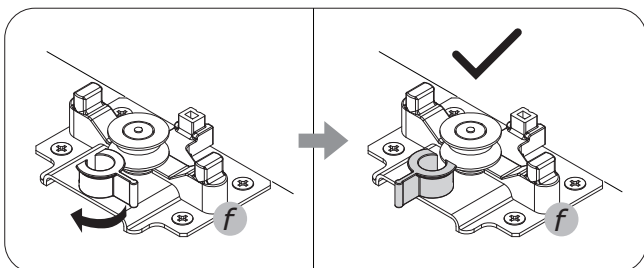
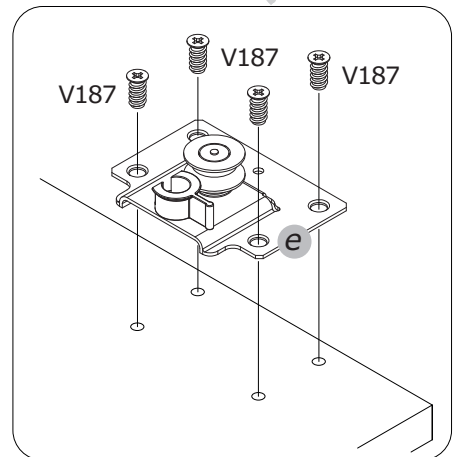
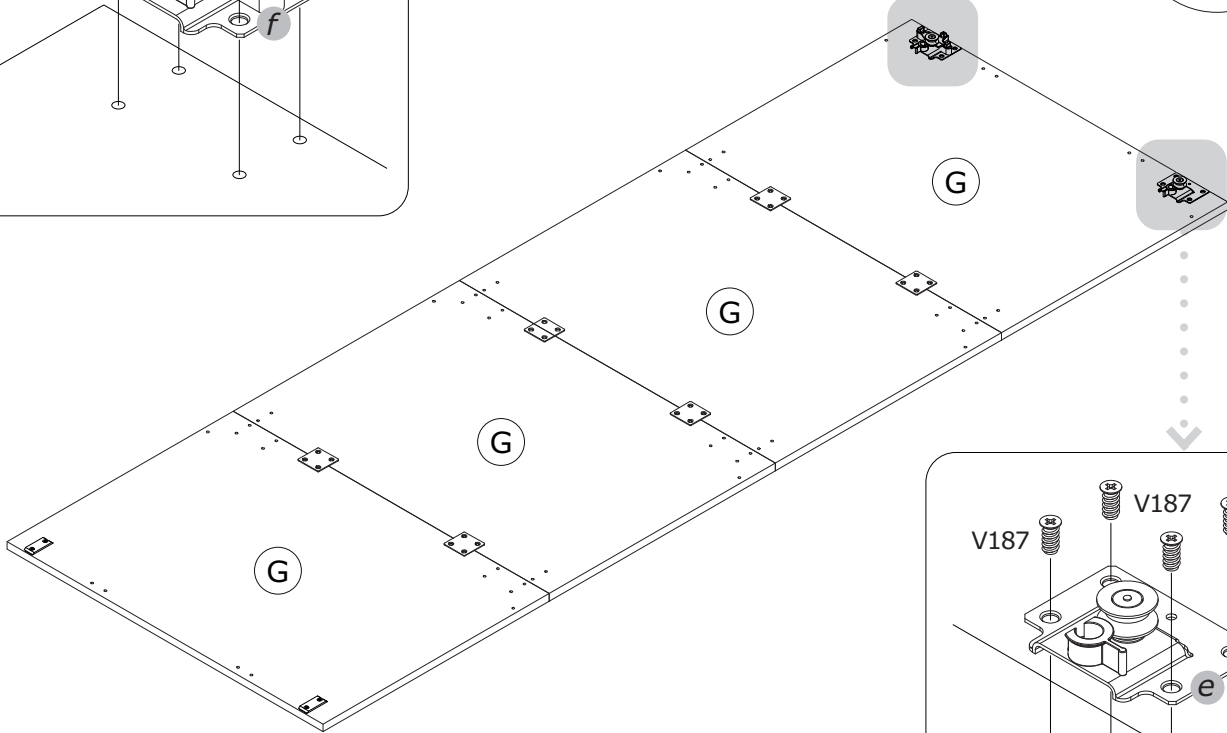
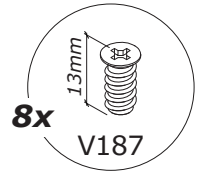
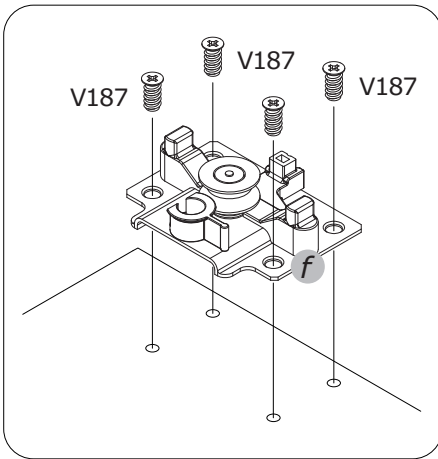
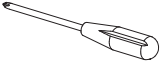
1



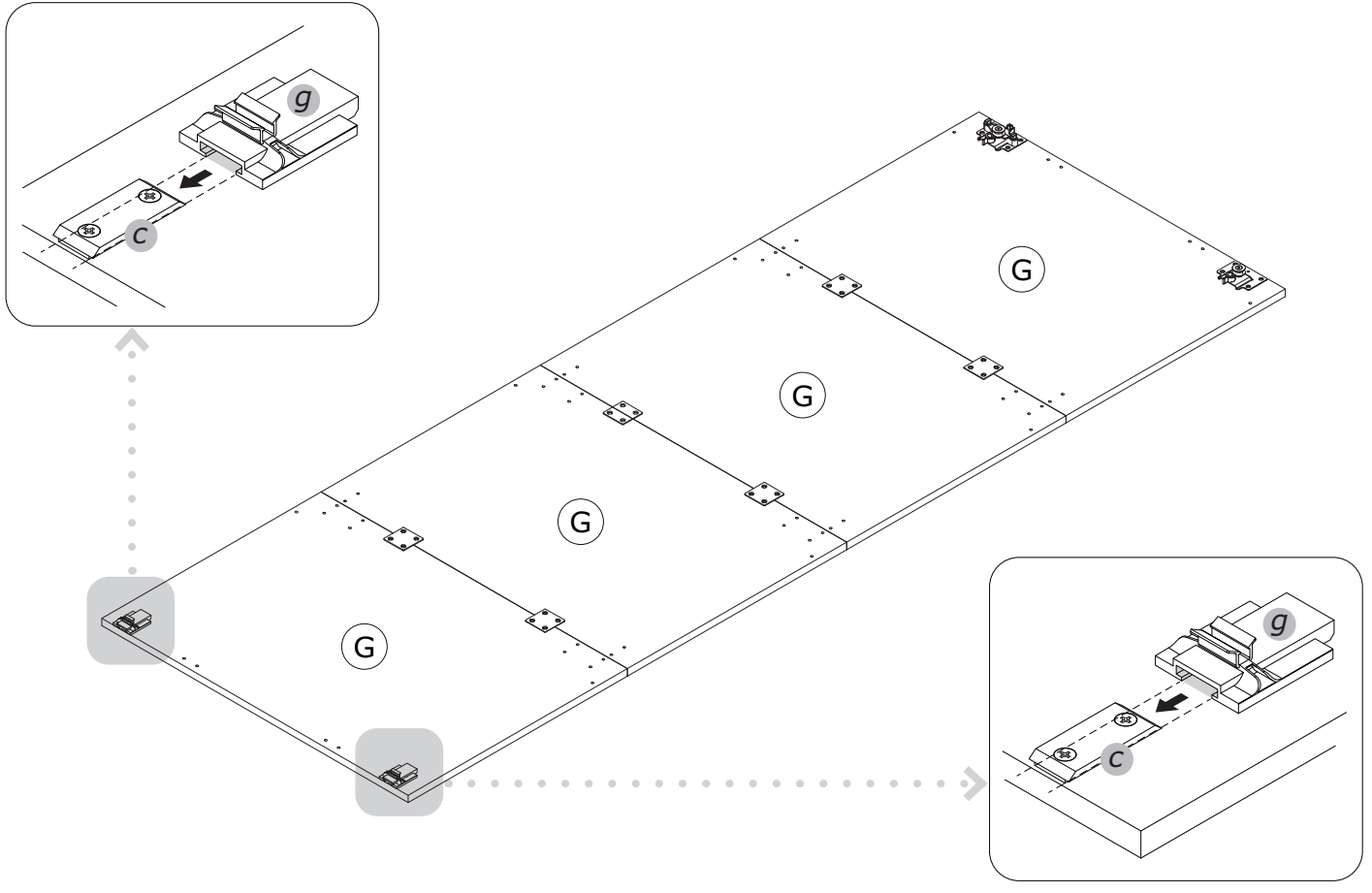
# A



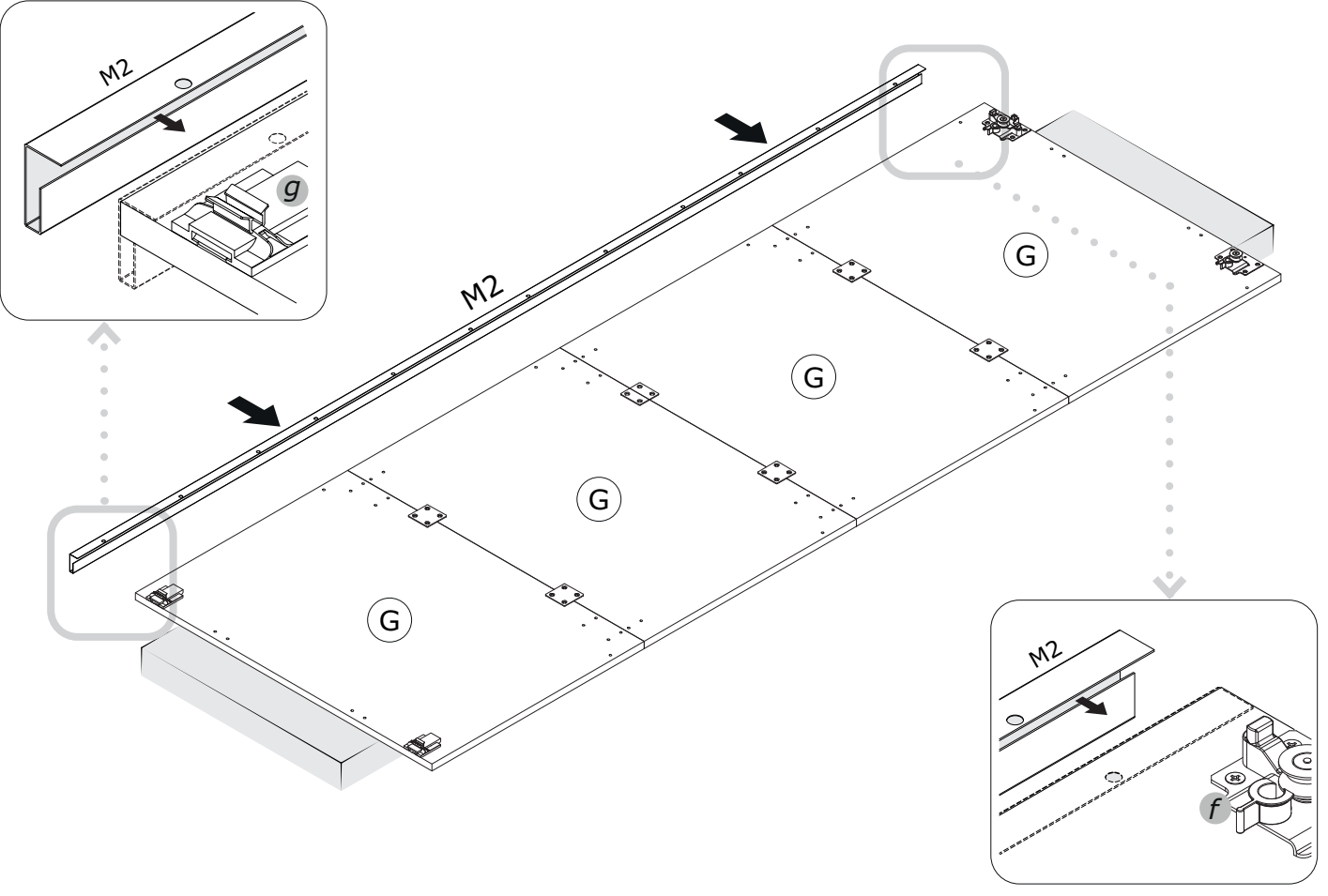
## 2 A



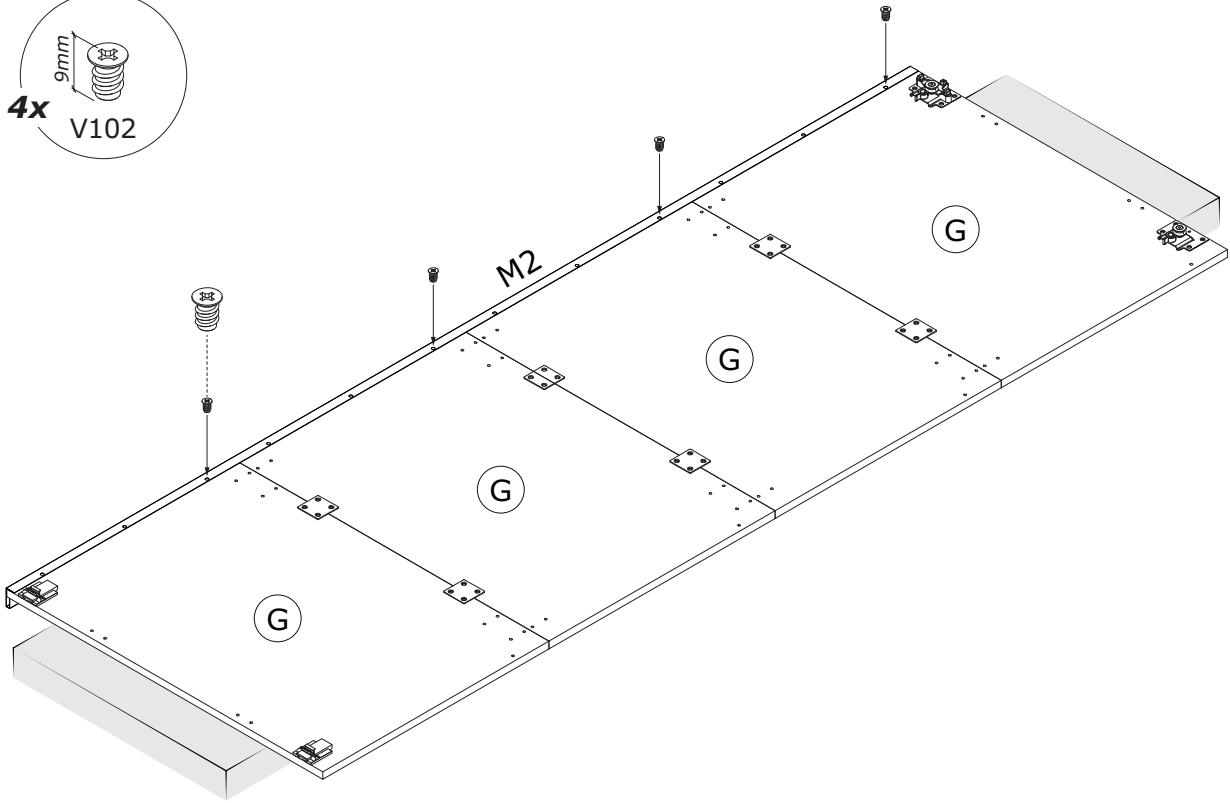
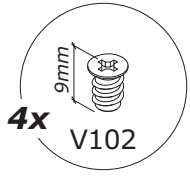
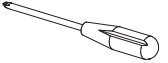
**3 A**



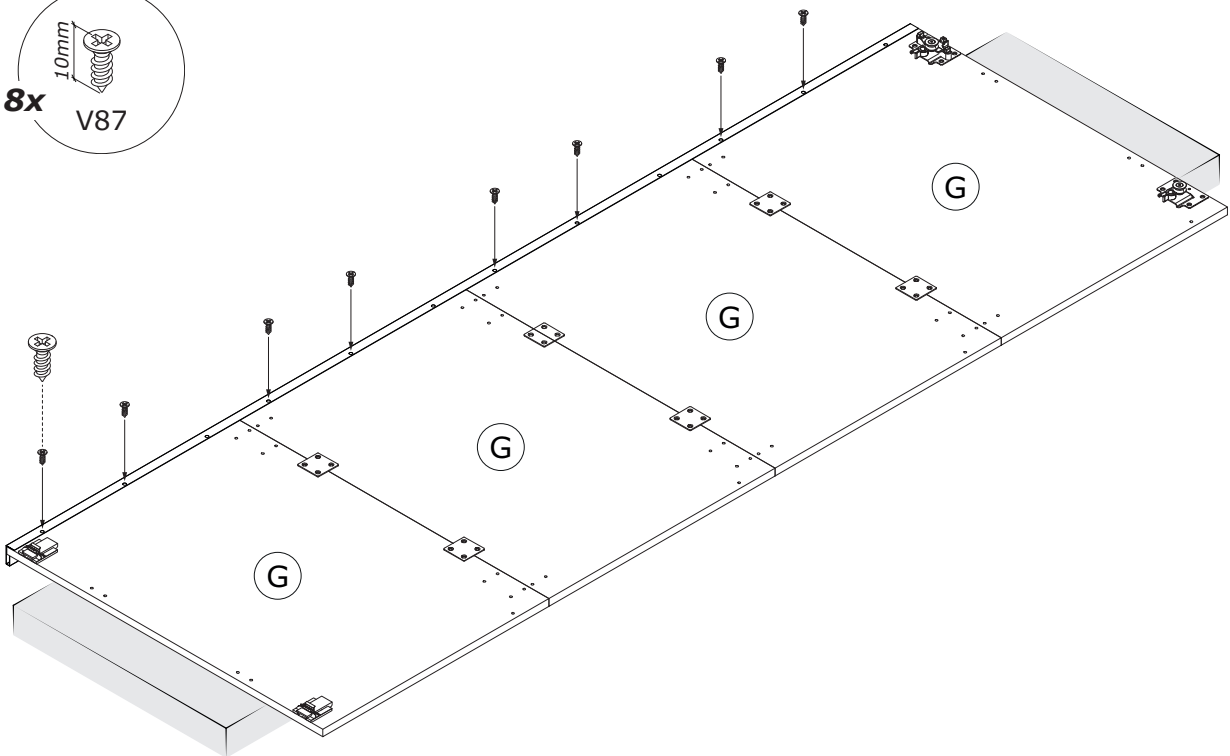
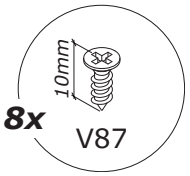
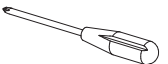
**4 A**



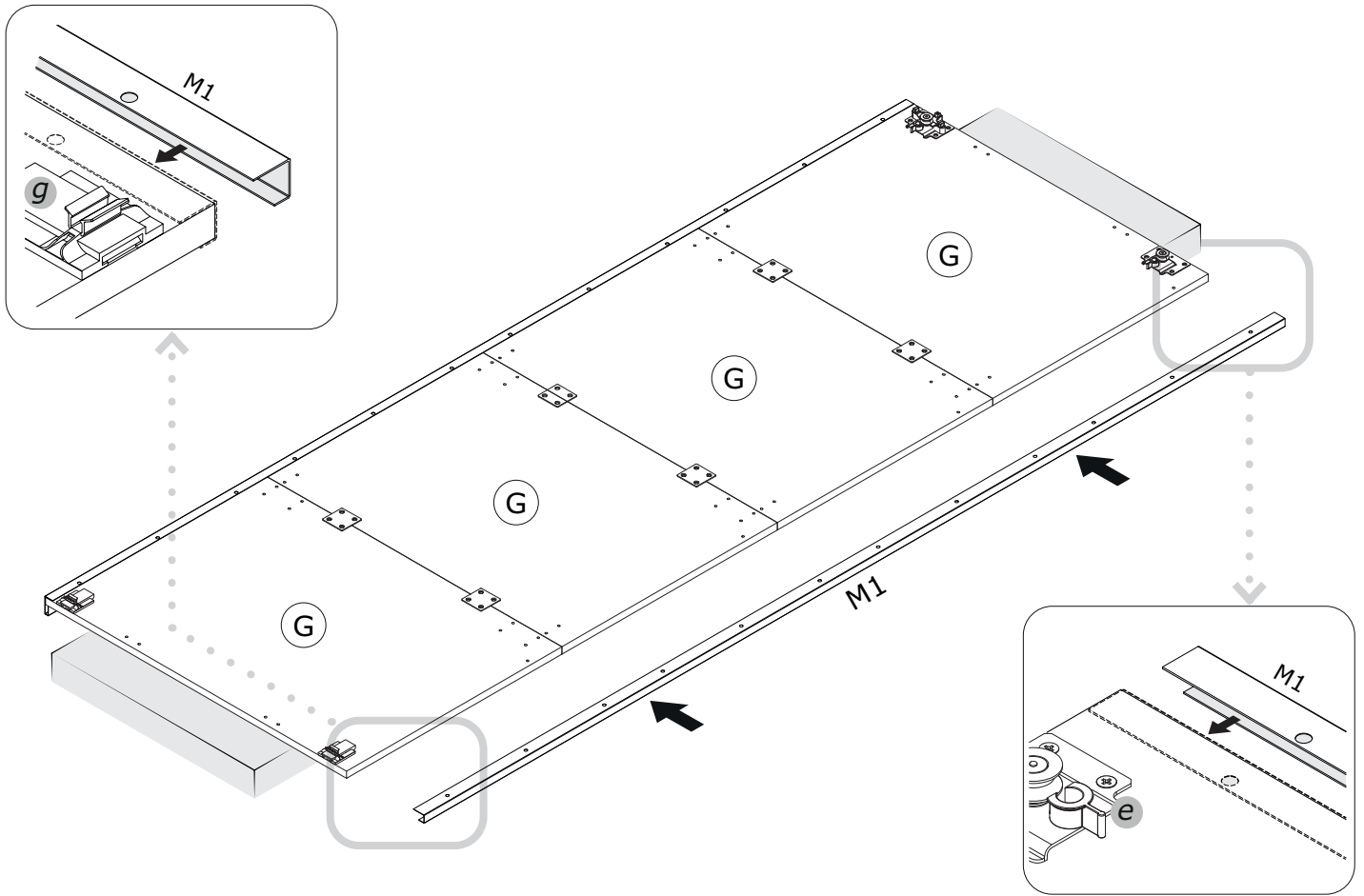
**5 A**



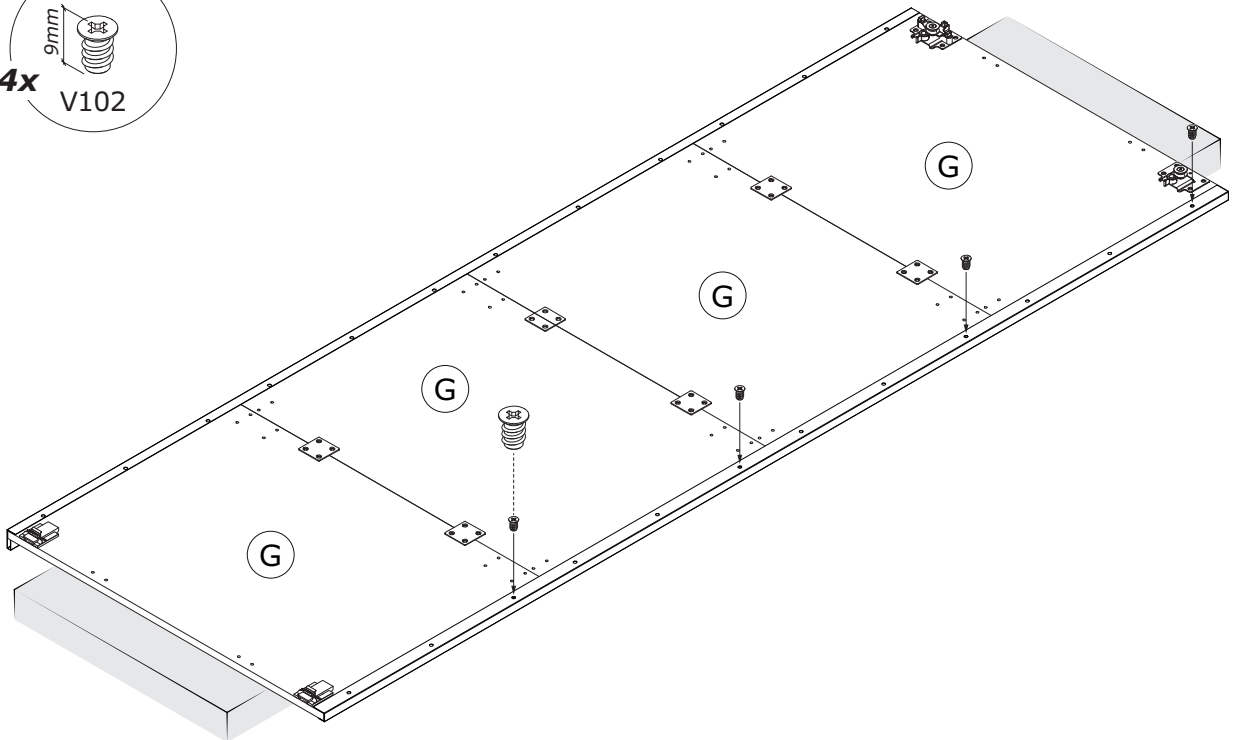
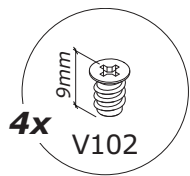
**6 A**



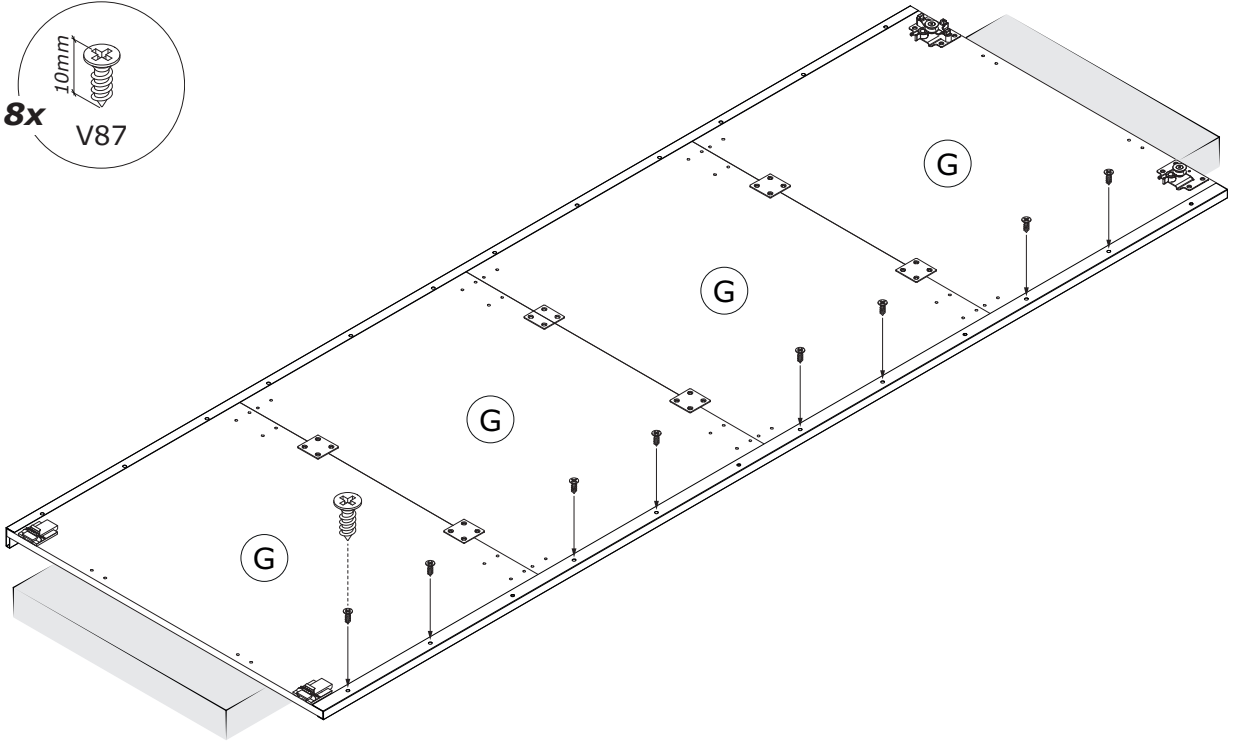
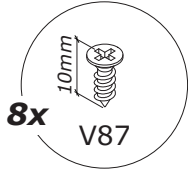
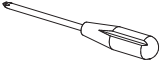
**7 A**



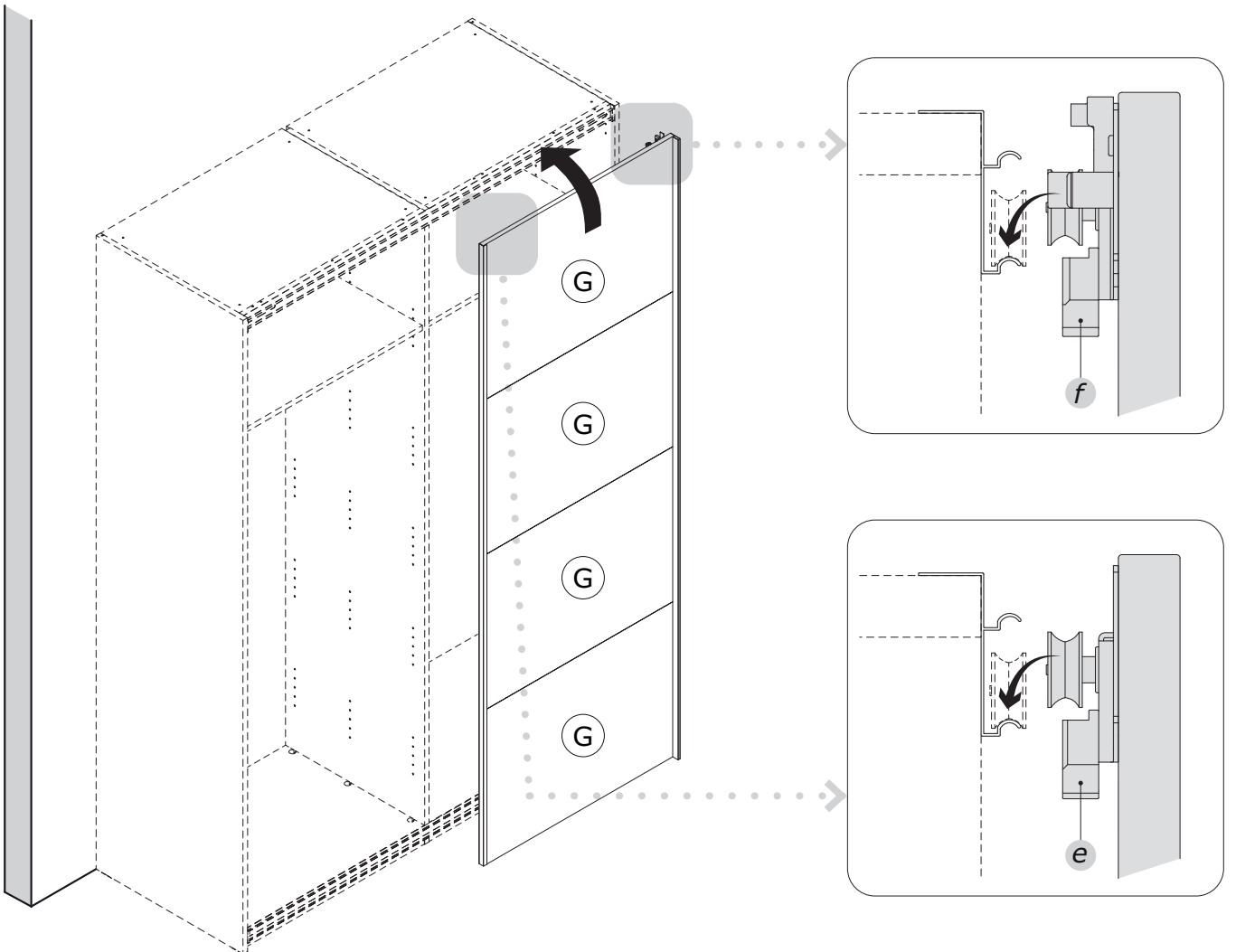
**8 A**



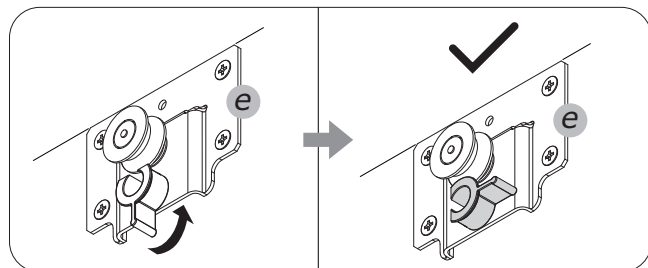
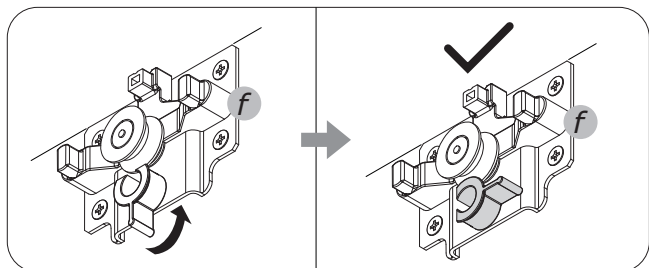
**9 A**



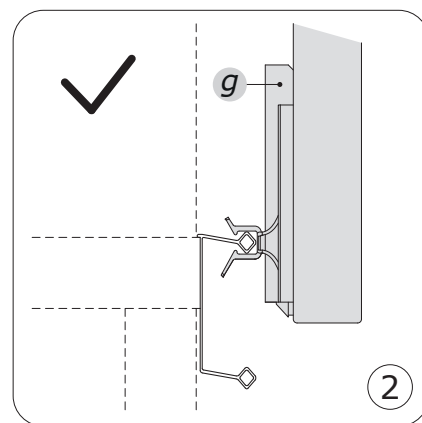
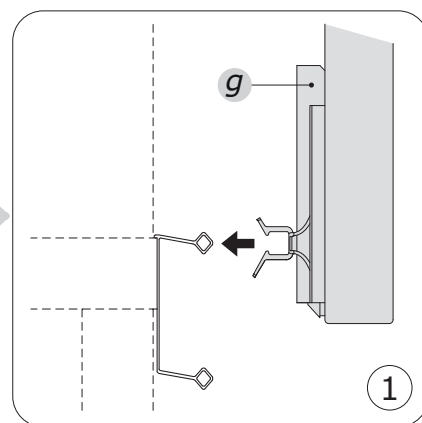
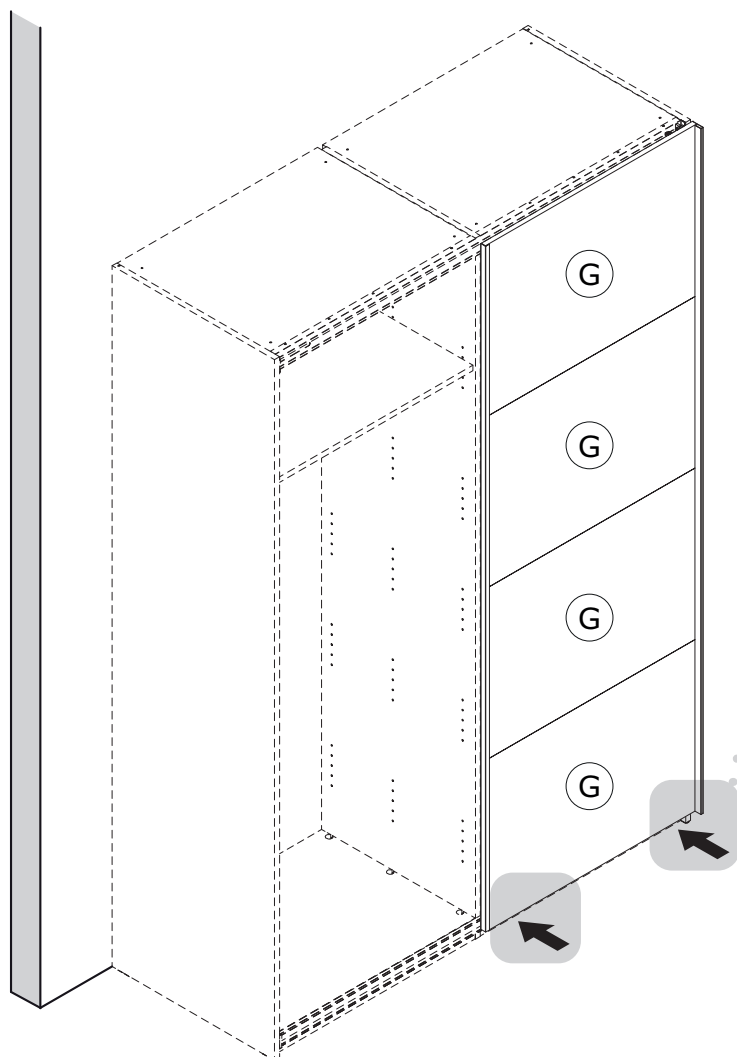
**10 A**



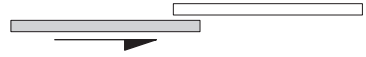
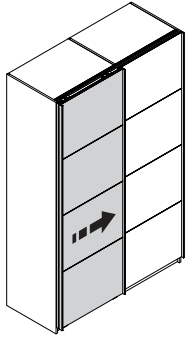
**11** A



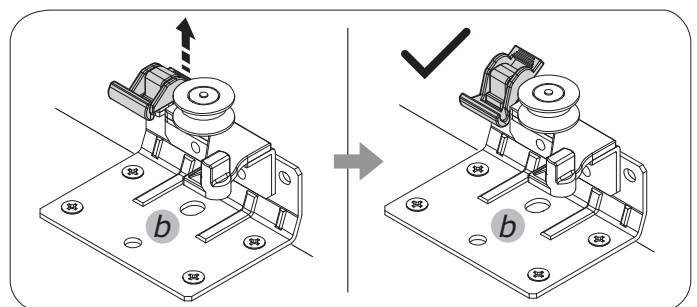
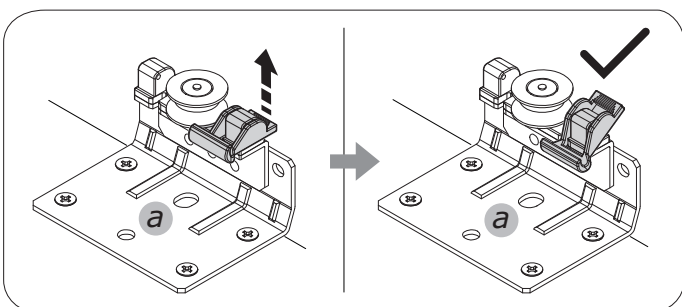
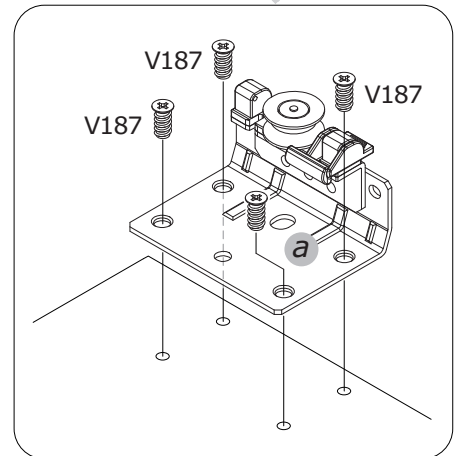
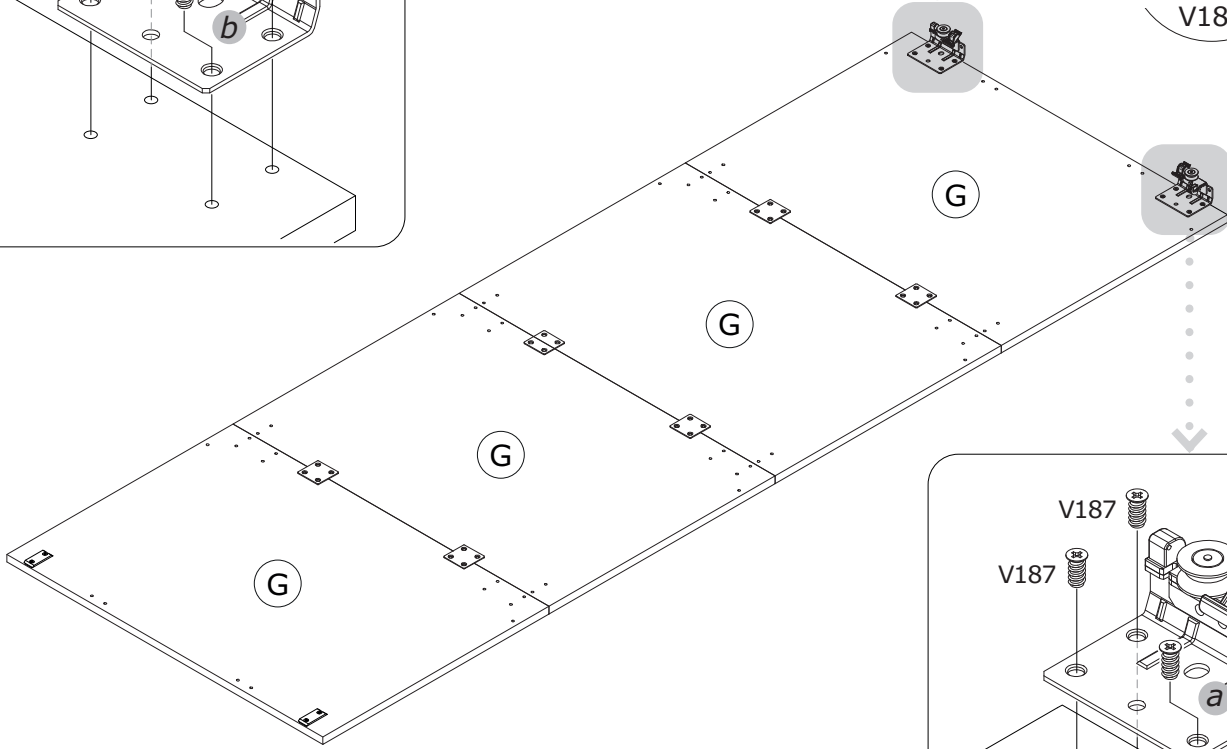
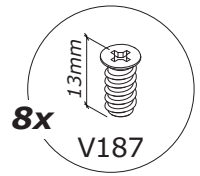
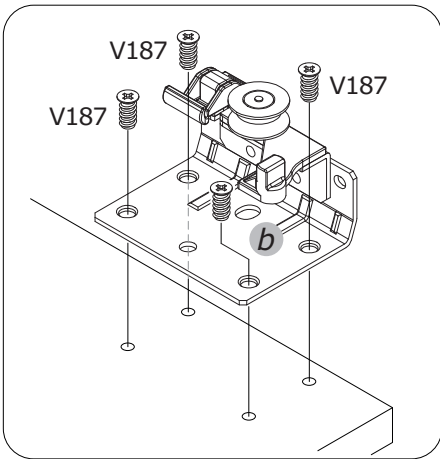
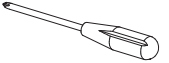
**12** A



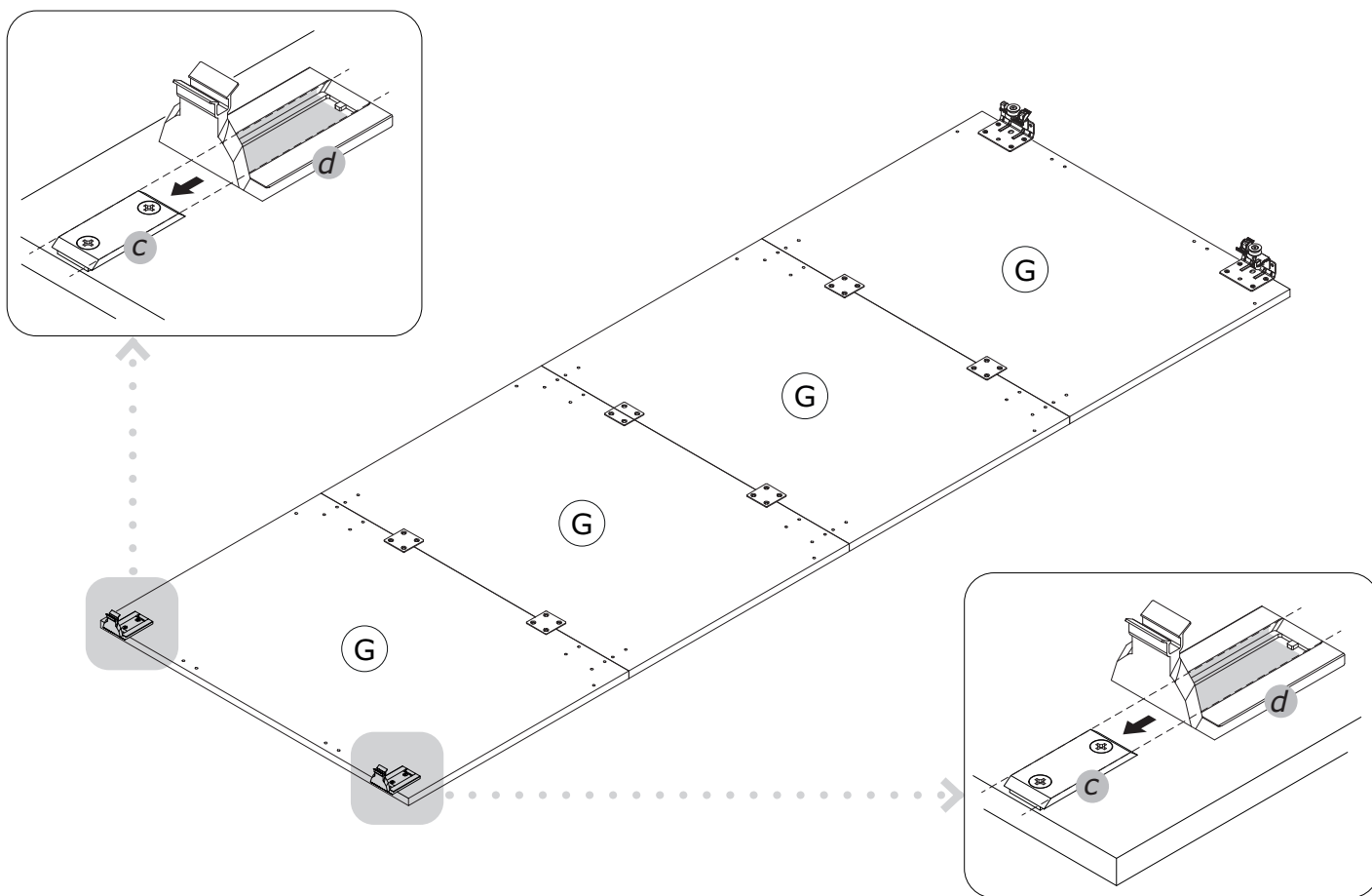
# B



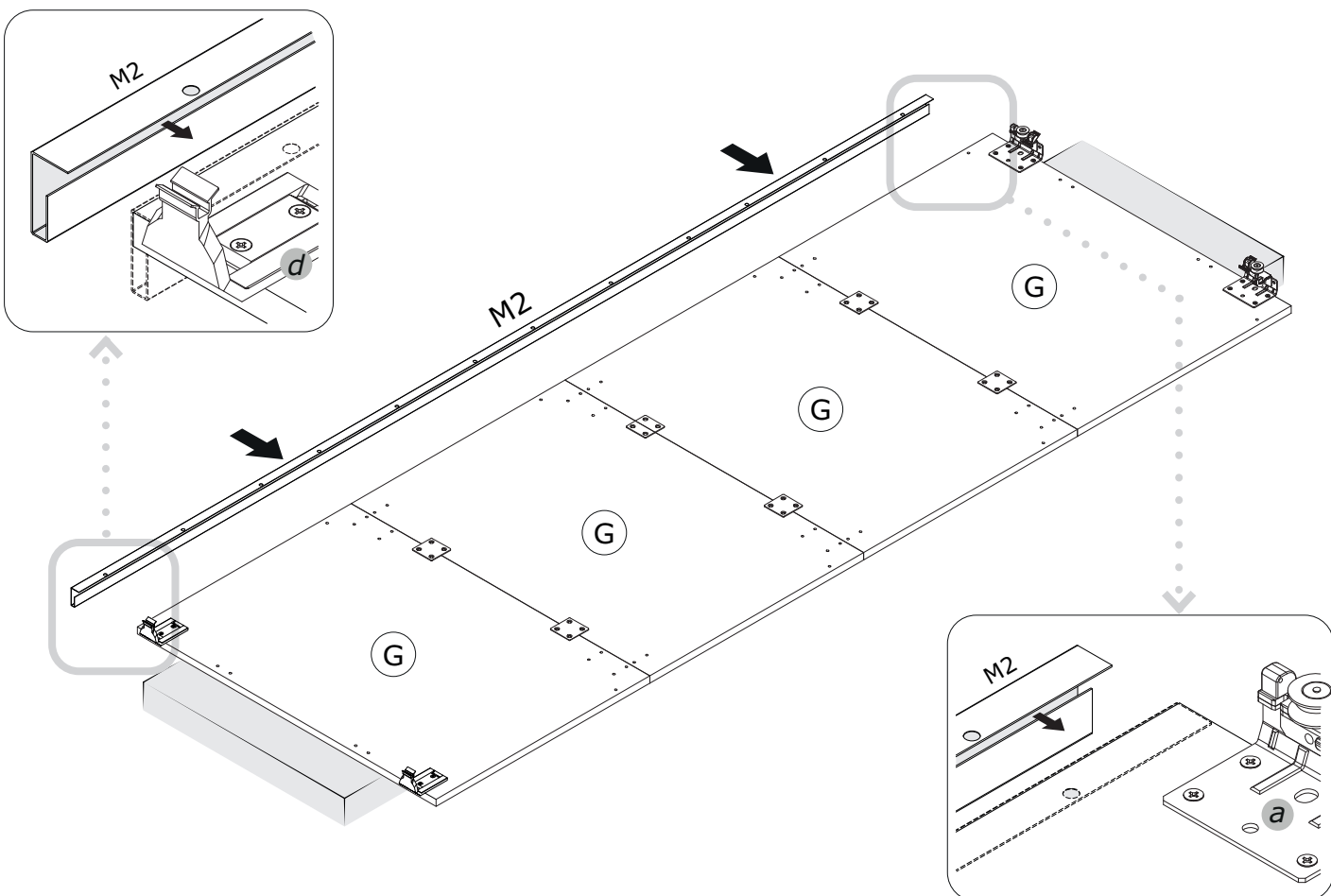
## 13 B



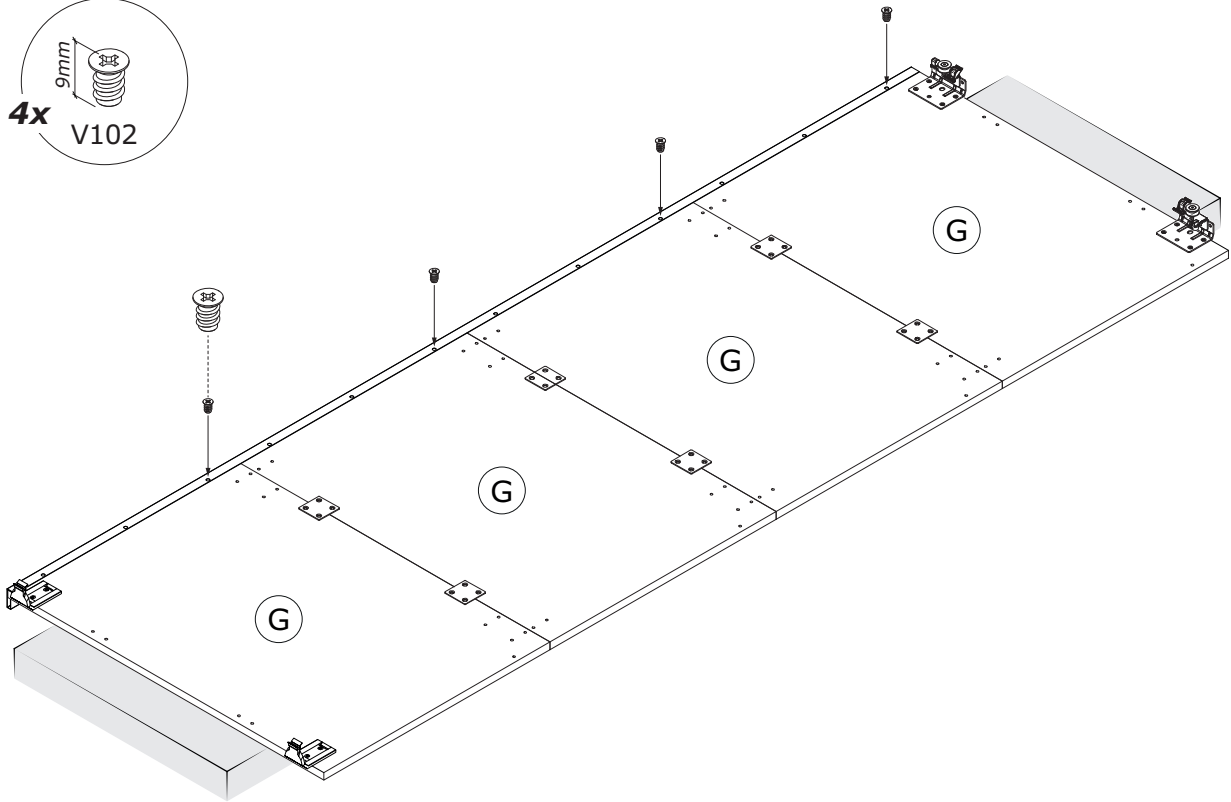
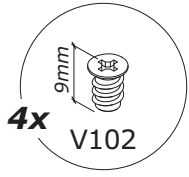
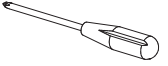
**14 B**



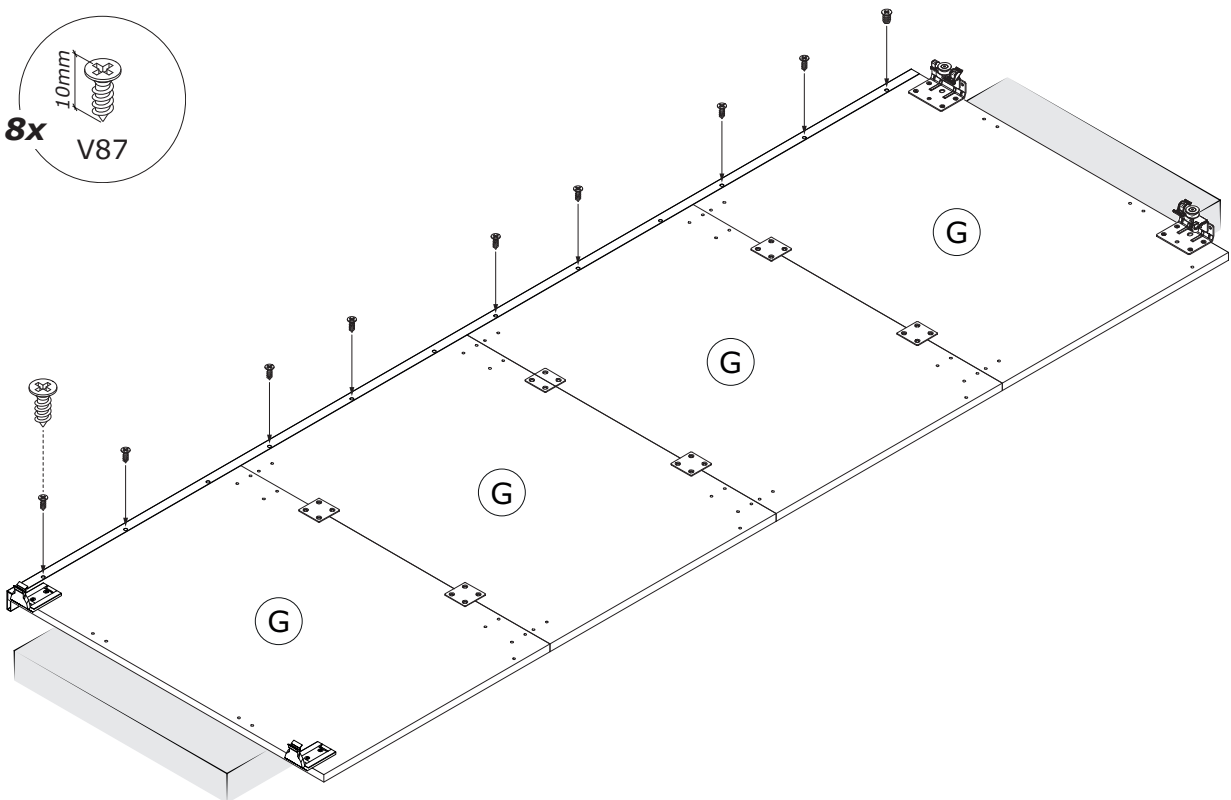
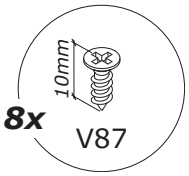
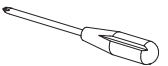
**15 B**



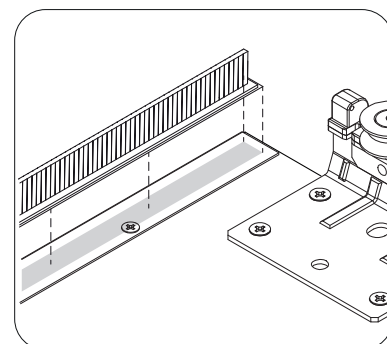
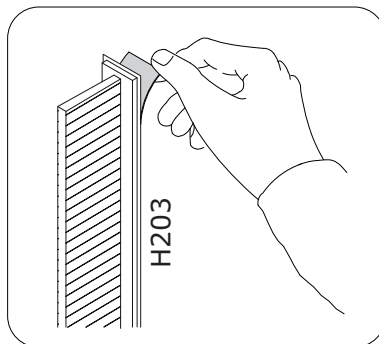
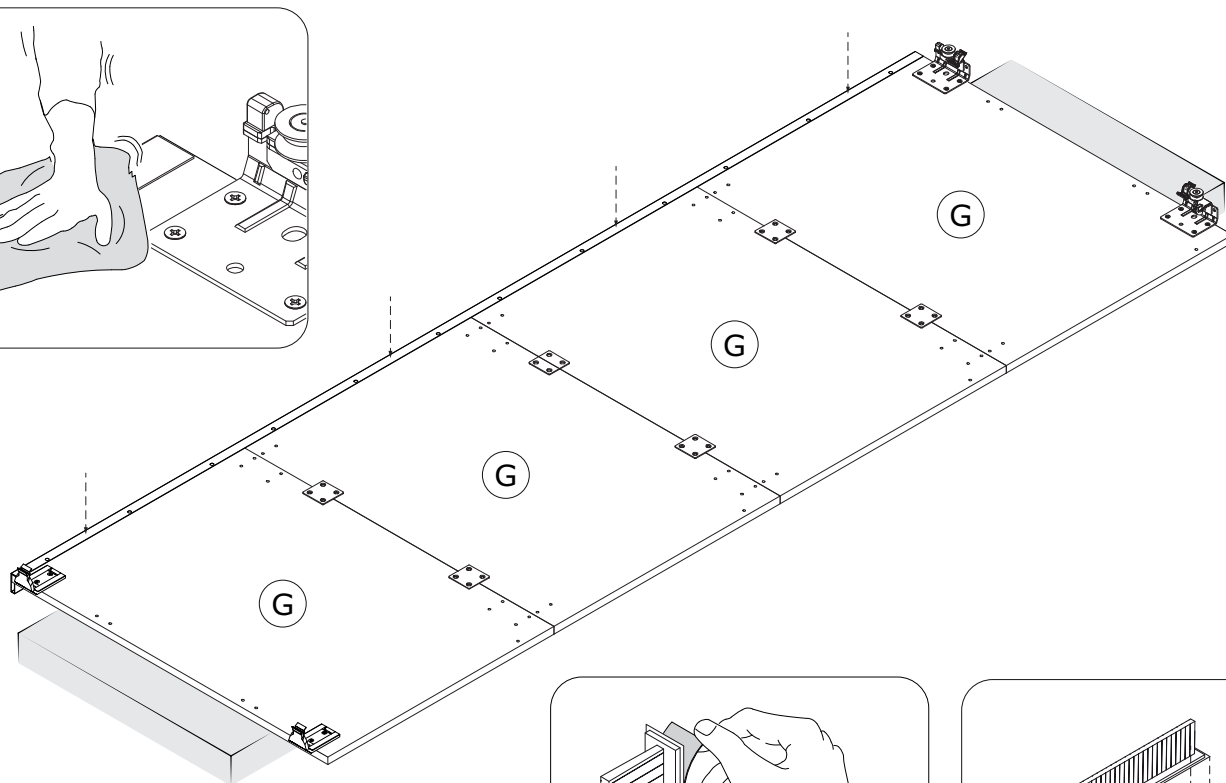
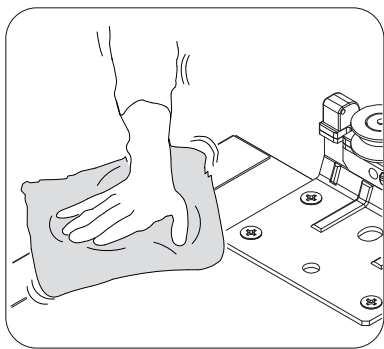
**16 B**



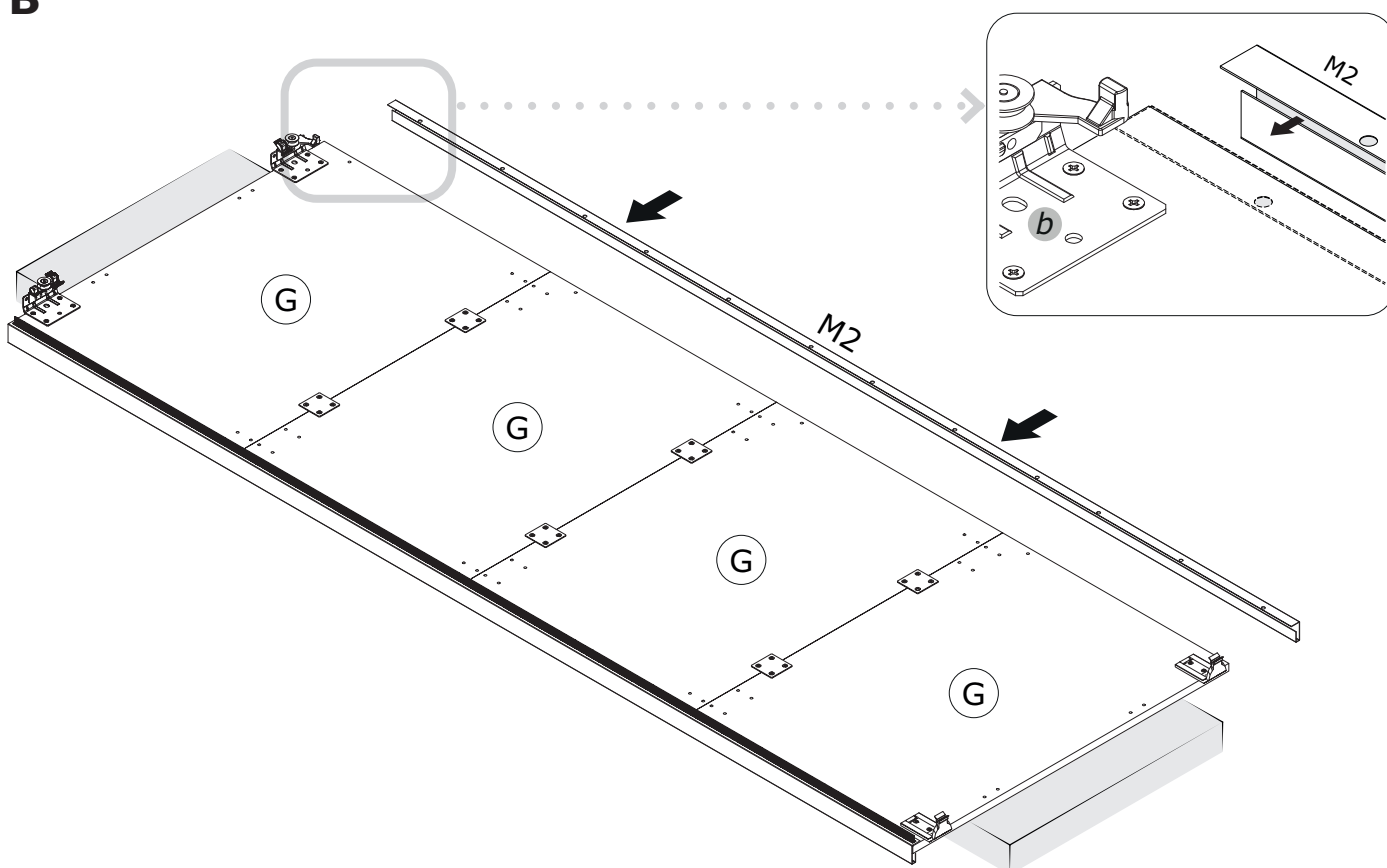
**17 B**



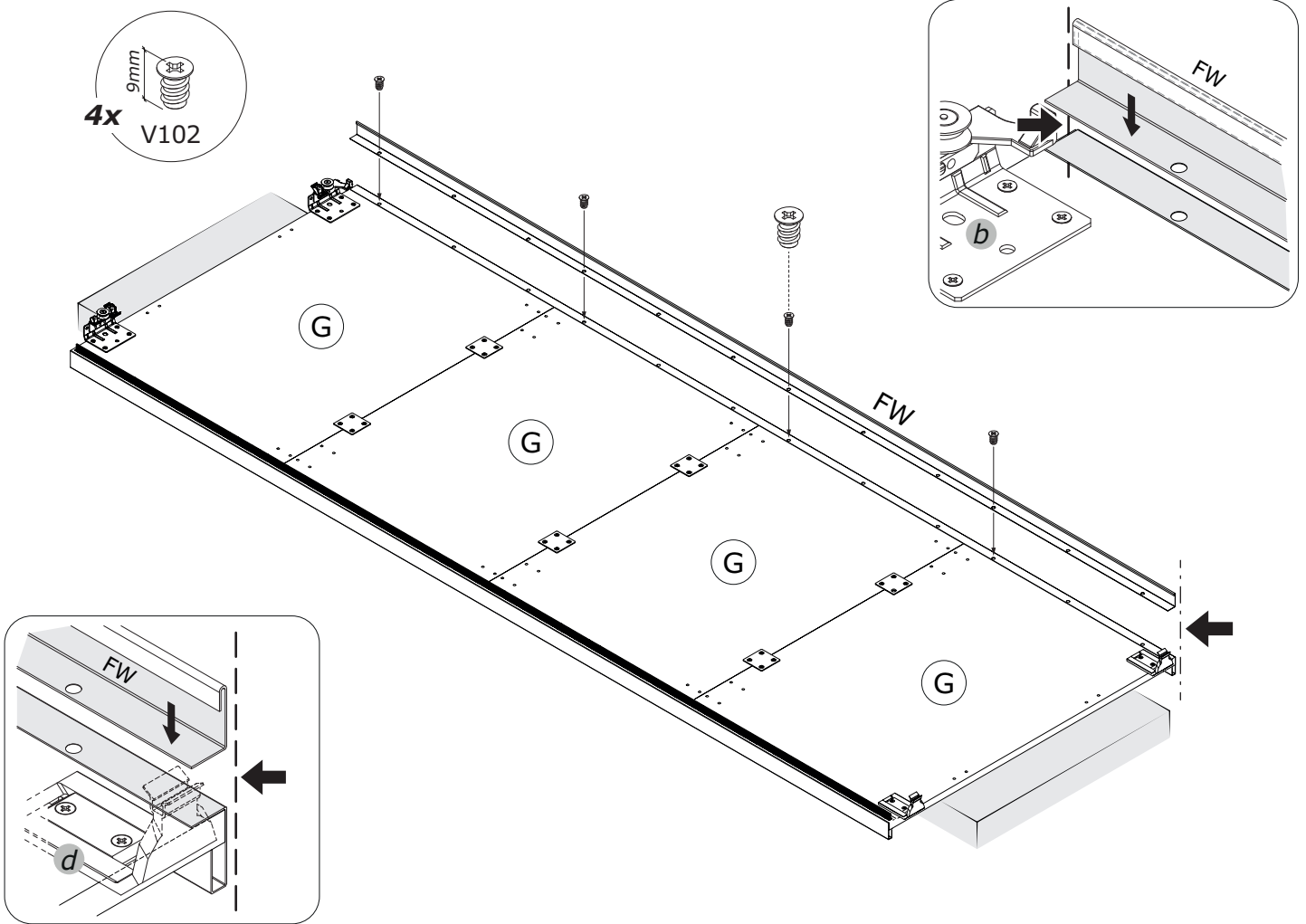
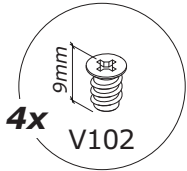
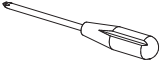
**18 B**



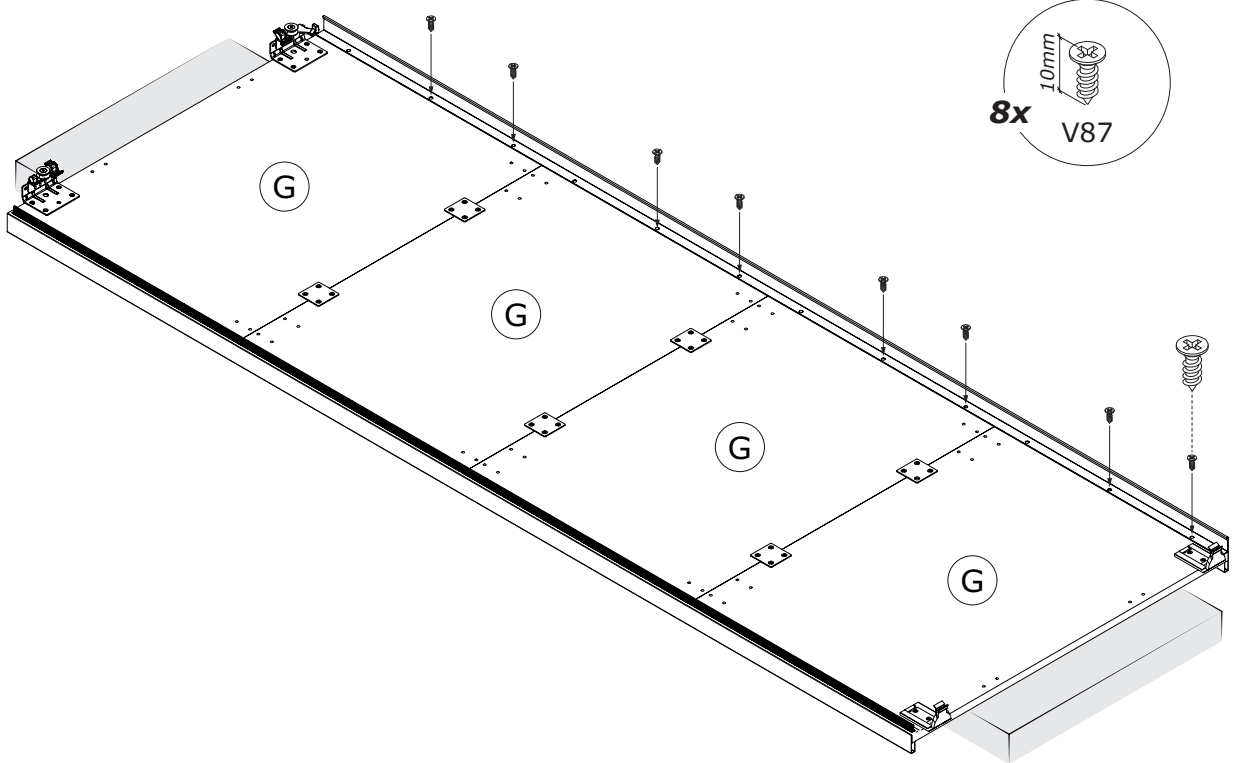
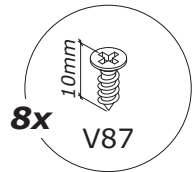
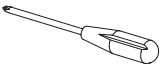
**19 B**



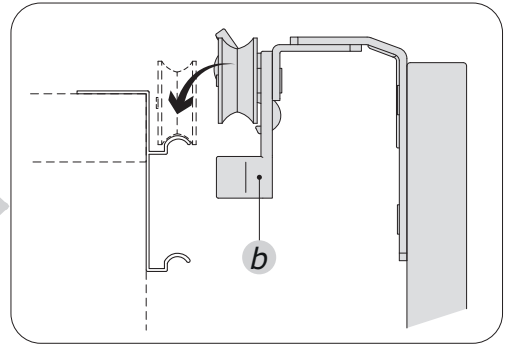
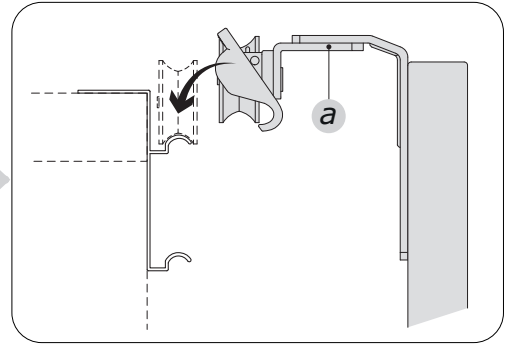
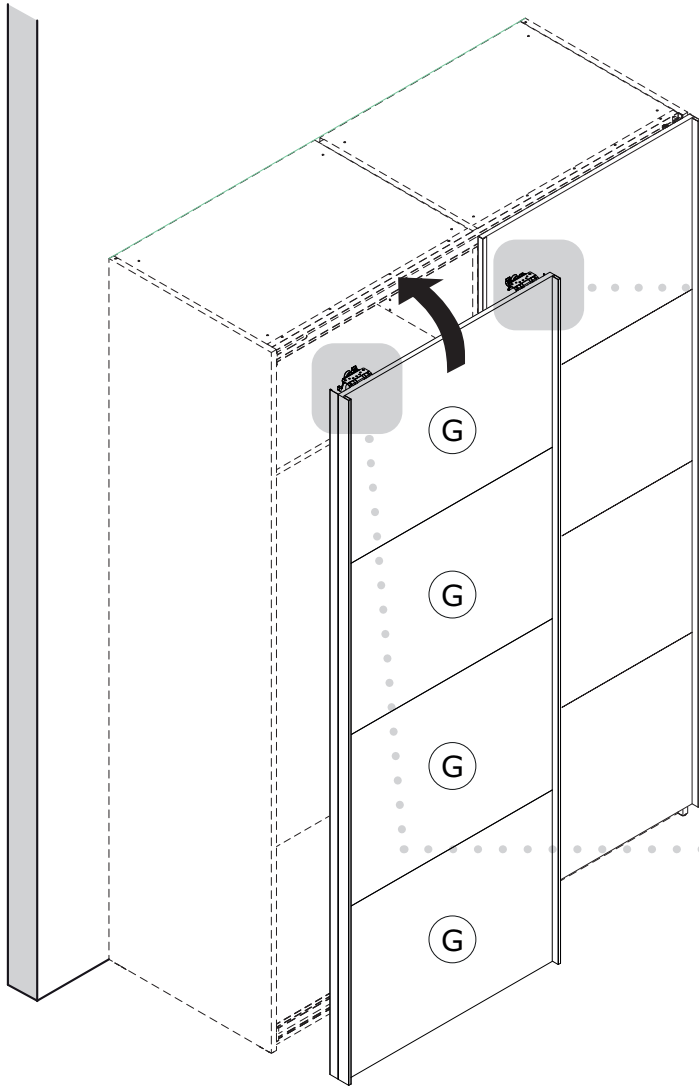
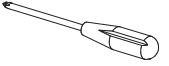
**20 B**



**21 B**



22 B



23 B

