

SEACHROME

Seachrome Corporation
1906 East Dominguez Street
Long Beach, California 90810
Phone: (800) 955-2476
Fax: (800) 444-3380

Description:

STPA-265150-PWS
26-1/2" x 15" Portable Tub Seat
(with Adjustable Clamp)

Customer:

Customer Part #

06-02-2014

MATERIAL:

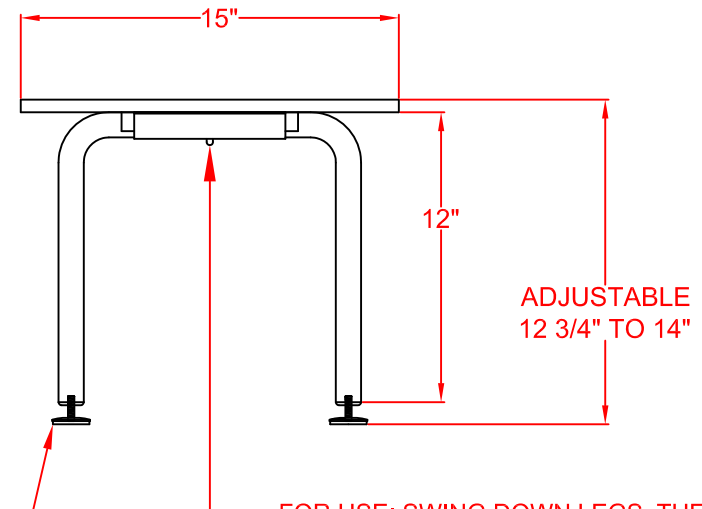
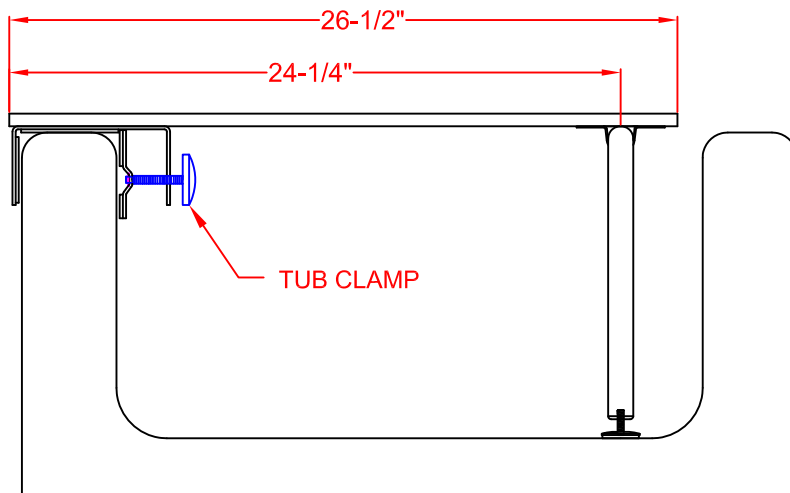
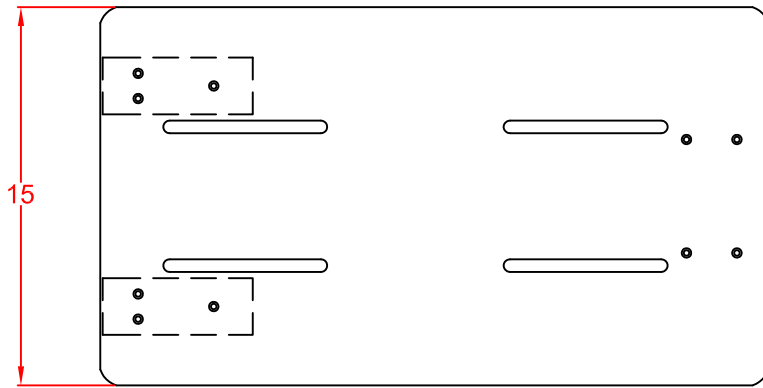
SEAT... 1/2" Phenolic, White or Teak Finish

LEG... 1" Dia. x 18 ga. 304 Stainless Steel with
Adjustable Leg Height, 12-3/4" to 14".

TUB CLAMP... Adjustable 3-3/4" to 5-3/4"
10 ga. 304 Stainless Steel, Rubber Lined.

Note: This seat is Designed to Universally fit
the four (4) tubs used by NYHA.
American Standard - Princeton
Kohler - Villager K-15
Crane - San Marcos
Elger

*The STPA Seat Is Specifically Designed
For Use On The Tub Models Listed Above,
And Is Not Recommended For Use With
Other Tub Manufacturers Or Models.



This drawing and the information contained herein is proprietary to Seachrome Corp. and shall not be reproduced, copied or disclosed in whole, or part, or used for manufacturing or for any other purpose without the written permission of Seachrome Corporation.

ADJUSTABLE RUBBER FEET
5/16-18 x 3-1/2" LONG STUD
WITH LOCKING NUT.

FOR USE: SWING DOWN LEGS, THE
LOCKING PIN WILL AUTOMATICALLY
HOLD THE LEGS IN PLACE.