

4.1 cu. ft. Top Load Washer with 4-Way Agitator

- 4.1 cu. ft. Capacity
- 4-Way Agitator
- TurboDrum™ Technology
- 8 Cycles / 4 Options
- 6Motion™ Technology
- Deep Fill Option
- Direct Drive Motor (10-Year Limited Warranty)
- NeveRust™ Stainless Steel Tub
- SmartDiagnosis™



COLOR AVAILABILITY

- WT6105CW – White

CAPACITY & MATCHING DRYERS

Capacity (cu. ft.)	4.1
Matching Electric Dryer	DLE6100W
Matching Gas Dryer	DLG6101W

APPEARANCE

Electronic Controls with LED Display	Yes
Touch Buttons	Yes
Dial-A-Cycle™	Yes

ENERGY & WATER

ENERGY STAR® Certified	No
CEE Qualified	No
Integrated Modified Energy Factor (IMEF)	1.82
Integrated Water Factor (IWF)	5.01

WASH CYCLES

Number of Cycles	8
Wash Cycles	Normal, Heavy Duty, Deep Wash, Bedding/Waterproof, Delicates, Speed Wash, Tub Clean, Spin Only

WASH OPTIONS

Number of Options	4
Options	Extra Rinse, Control Lock, Deep Fill, Rinse+Spin

WASH DETAILS

Internal Heater	No
Number of Wash / Rinse Temps	3
Wash / Rinse Temps	Hot, Warm, Cold
Number of Spin Speeds	1
Max RPM	800
Water Levels	Load Sensing
Number of Soil Levels	1
AAFA Certified	No

FABRIC CARE

Wash Technology	TurboDrum™
Steam Technology	No
SmartRinse™ Jet Spray System	No
ColdWash™ Option	No

CONVENIENCE

SlamProof™ Lid	Yes
TrueBalance™ Anti-Vibration System	Yes
Dispenser Type	3-Tray (Main Wash with Liquid Detergent Cup, Bleach, Fabric Softener)
End of Cycle Signal	Yes
LoadSense	Yes
Control Lock	Yes
Auto Suds Removal	Yes
4 Adjustable Leveling Legs	Yes
Status Indicator(s)	Yes
Add Garment Indicator	No
Forced Drain System	Yes
ADA Compliant	No

SMART FEATURES

Wi-Fi Enabled	No
ThinQ® Technology	No
SmartDiagnosis™	Yes

MOTOR AND AGITATOR

Motor Type	Inverter Direct Drive Motor
Axis	Vertical
Wash Type	4-Way Agitator

MATERIALS AND FINISHES

Drum Material / Finish	NeveRust™ Stainless Steel
Washplate	No
Lid	Transparent Glass

TECHNICAL SPECS

Electrical Requirements	120V @ 60Hz
Type	Electric
Power Outlet Location	Within 60" of Either Side
Plug Type	3-Prong (Cord Attached to Unit)
Min. / Max. Water Pressure	20 - 120 psi

INCLUDED ACCESSORIES

Tie Strap

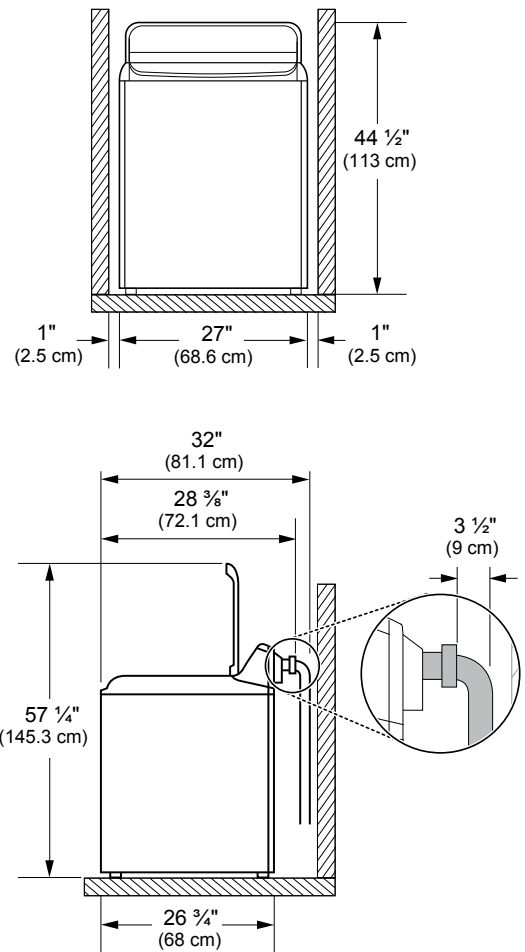
DIMENSIONS

Product (W x H x D)	27" x 44 1/2" x 28 3/8"
Height with Lid Open	57 1/4"
Cutout Dimensions (W x H x D)	29" x 58" x 32 3/8"
Carton Dimensions (W x H x D)	29 1/2" x 46 5/8" x 31 1/4"
Weight (Product / Carton)	116.9 lbs. / 132.3 lbs.

LIMITED WARRANTY

Parts and Labor	1 Year
Direct Drive Motor	10 Years (Parts Only)
Drum	3 Years (Parts Only)

DIMENSIONS / CLEARANCES



Minimum vertical space from floor to overhead shelves, cabinets, ceilings, etc., is 58 inches (147 cm).

INSTALLATION NOTES

- To ensure sufficient clearance for water lines, the drain line and airflow, allow minimum clearances of at least 1 inch (2.5 cm) at the sides and 4 inches (10 cm) behind the unit. Be sure to allow for wall, door, or floor moldings that may increase the required clearances.
- Install the washer on a solid floor that is strong and rigid enough to support the weight of the washer, even when fully loaded, without flexing or bouncing. If the floor has too much flex, you may need to reinforce it to make it more rigid. If the floor is not solid, it may cause severe vibration and noise.