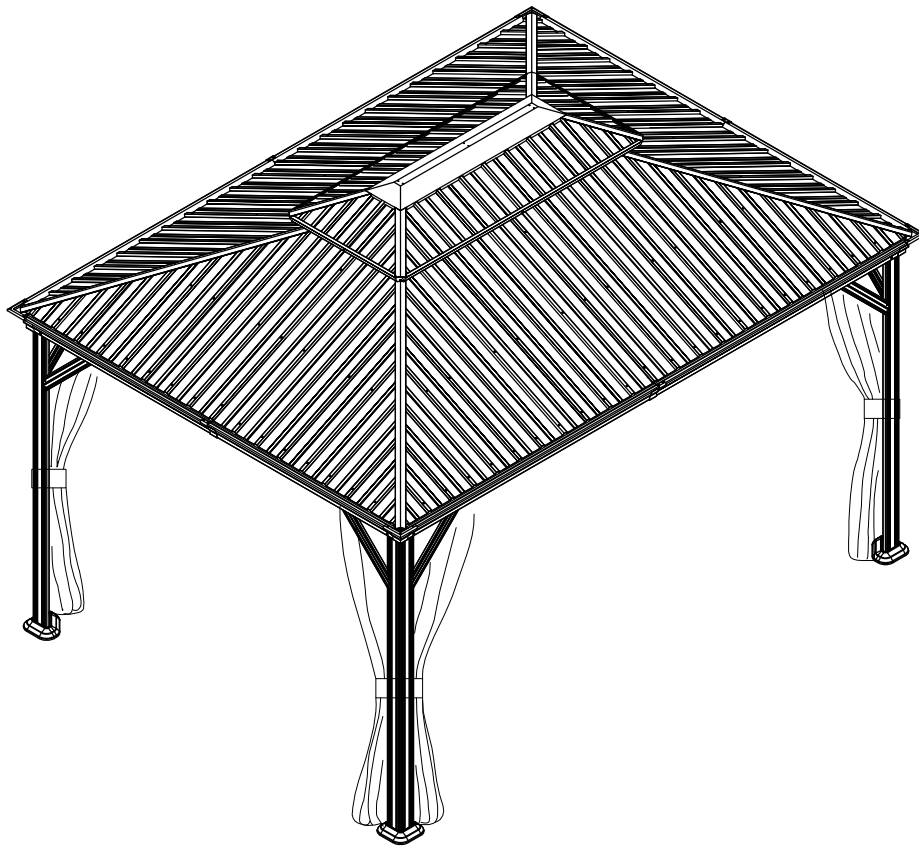




11'x13' Metal Patio Gazebo

ASSEMBLY MANUAL



MODEL#: LGMF1735

Missing part? Damaged? Contact us via email at

service@domioutdoorliving.com

www.domioutdoorliving.com

Pre-assembly



1. Two or more people are required for assembly.



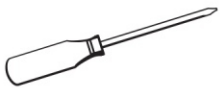
2. You will need one or more stepladders.



3. Wearing protective gloves is recommended.



4. You may need a safety hat.



5. Please use a Phillips screw driver.



6. For ease of construction, you may need a drill.



7. You may need a safety goggle.



8. Do not fully tighten screws prior to complete assembly.

Warning & Attention

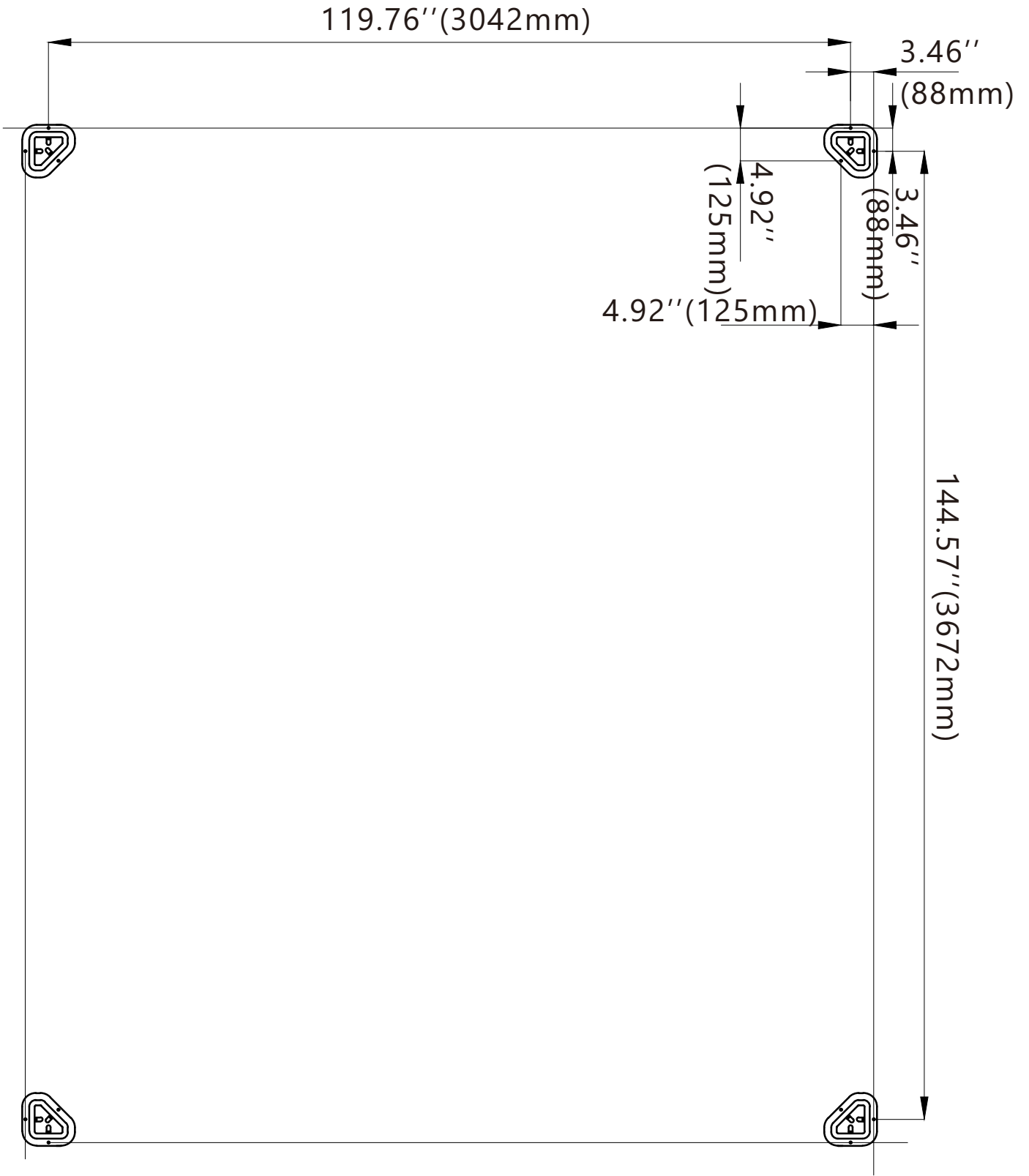
-Try to assemble this product on the flat ground, otherwise it is difficult to carry out;

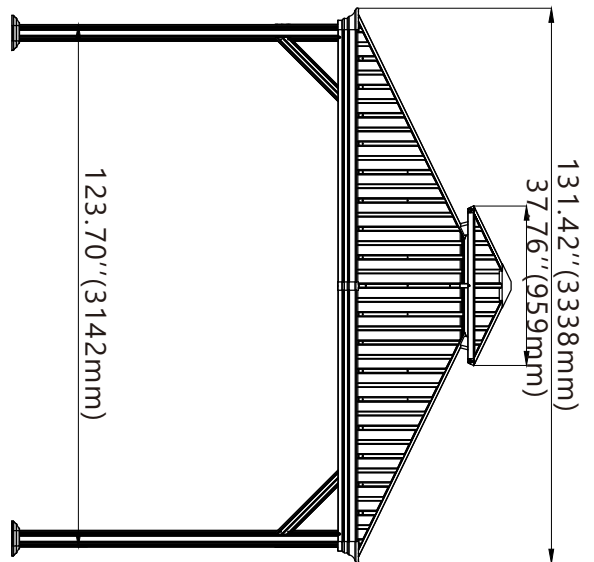
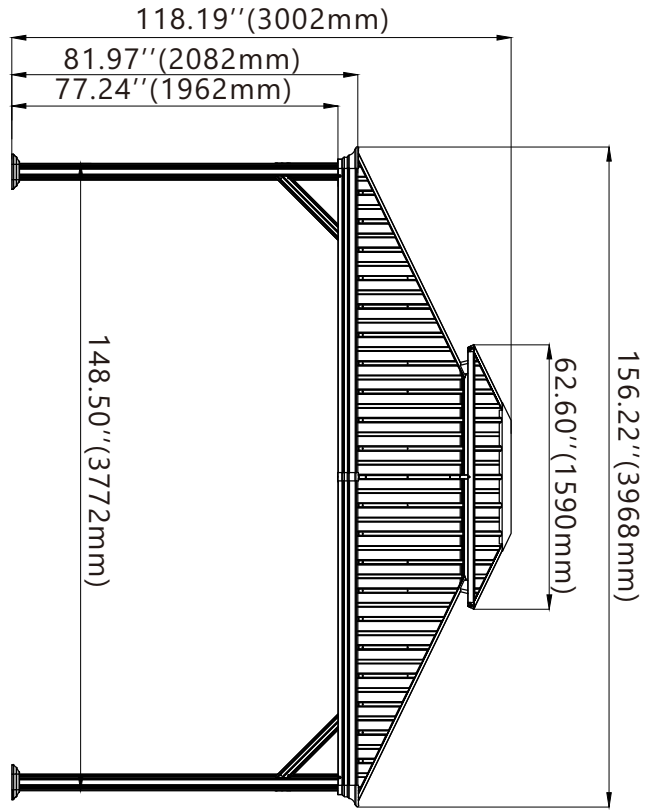
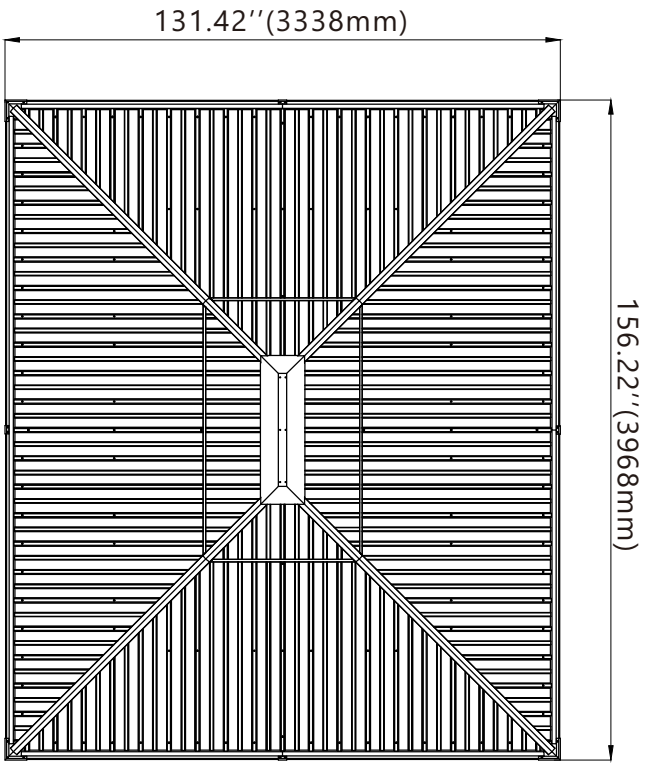
-It would be much easier to assemble the product with three or more people;

-After assembly, please check whether all screws are tightened, to prevent parts from falling apart.

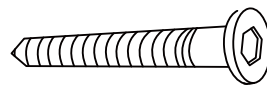
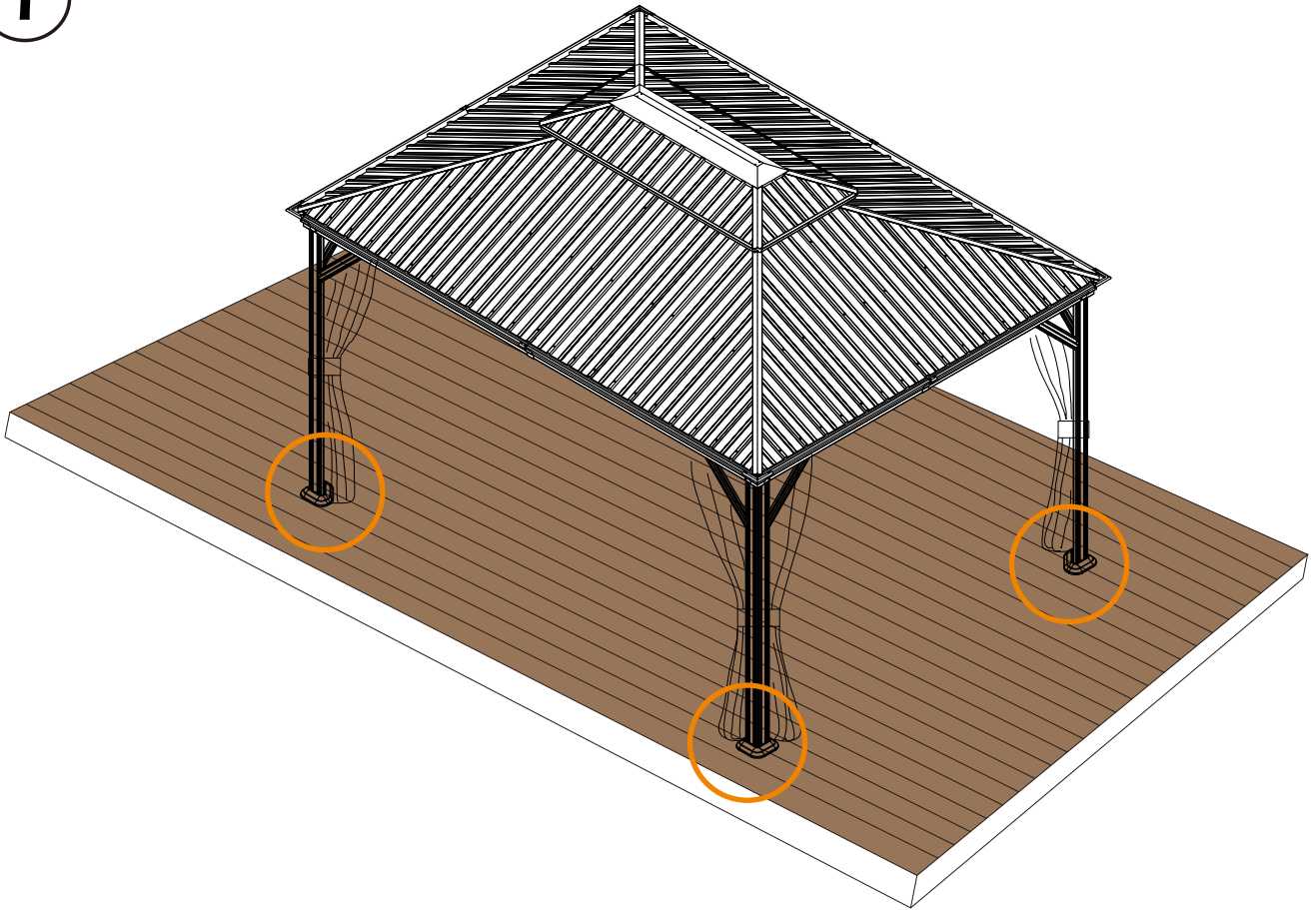
▲ Use bolts to secure the frame to the ground to against the strong wind.

IMPORTANT: A gaze may entail to purchase a municipal permit or be subject to specific building codes. It is the consumer's responsibility to inform themselves of any restrictions.



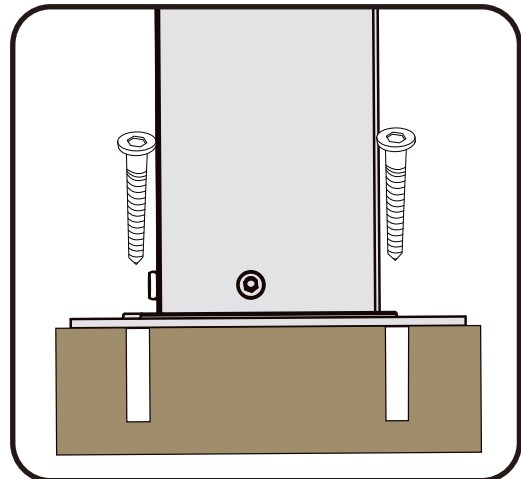
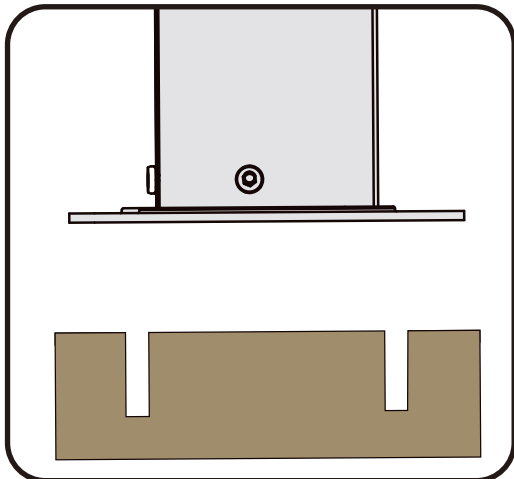


1

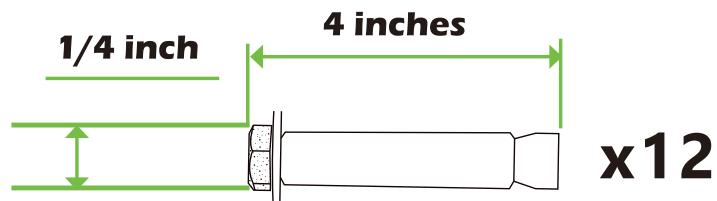
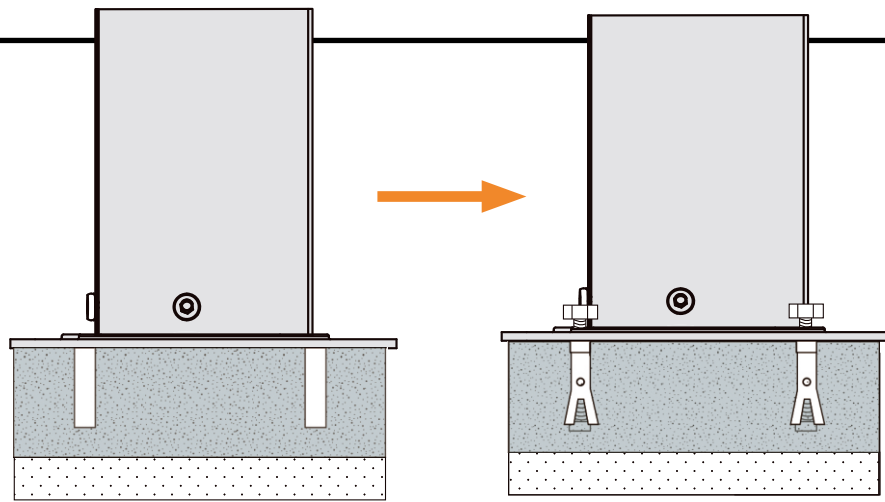


x12

If the deck is hard wood and the depth of it is over 3 inch, you can use **5/16 in. x4 in. Structural Wood Screw** to mount the gazebo.

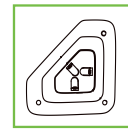
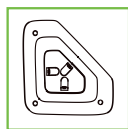


2



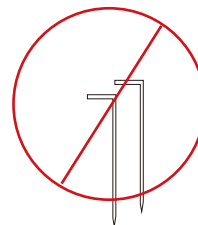
If the ground is concreted and the depth of it is over 3 inch, you can use 1/4 inch expansion bolts to mount the gazebo


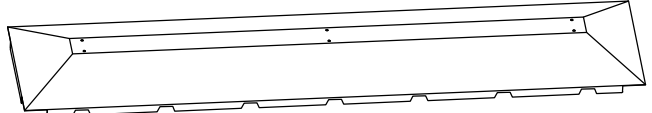

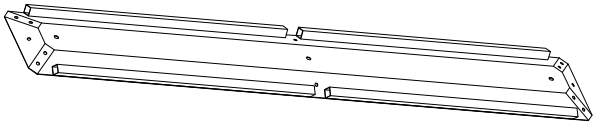

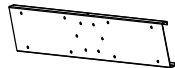
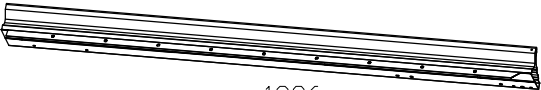




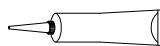






3

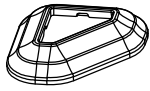


Or you can make a concrete footing for gazebo, **15×15×15 inches** is recommended. use expansion bolts to mount the pergola like ② shows.

IMPORTANT:
Anchor is not recommended

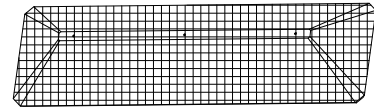


 <p>Pole 2080 A (x4)</p>	 <p>Outside Roof Cover D (x1)</p>
 <p>Beam 1570 B (x2)</p>	 <p>Inside Roof Cover D1 (x1)</p>
 <p>Beam 1570 B1 (x2)</p>	 <p>Union Bar 600 E (x4)</p>
 <p>Beam 1886 B2 (x2)</p>	 <p>Corner Cover F (x4)</p>
 <p>Beam 1886 B3 (x2)</p>	 <p>Joint Cover G (x4)</p>
 <p>Track 1439 C (x2)</p>	 <p>Silicone Sealant H (x1)</p>
 <p>Track 1439 C1 (x2)</p>	 <p>Corner Solidifying Bar J1 (x4)</p>
 <p>Track 1754 C2 (x2)</p>	 <p>Corner Solidifying Bar J2 (x4)</p>
 <p>Track 1754 C3 (x2)</p>	 <p>Base K (x4)</p>



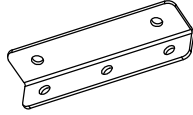
Base Cover

K1 (x4)



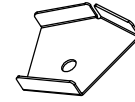
Small Mesh

P (x1)



Bracket

K2 (x8)



Finishing End

Q (x8)



Corner Roof Tube Connector

L (x4)



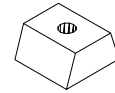
Hooks

R1 (x3)



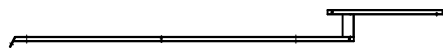
Corner Roof Tube

L1 (x4)



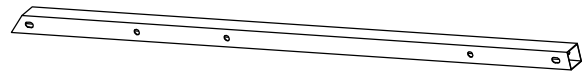
Black Rubber

S (x116)



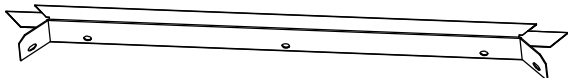
Roof Bar

M (x4)



Solidifying Bar

U1 (x4)



Finishing Bar

N (x2)



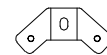
Solidifying Bar

U2 (x4)



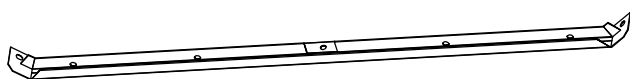
Finishing Bar

N1 (x2)



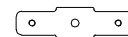
Bracket

U3 (x4)



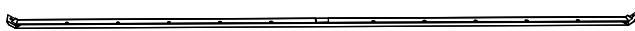
Finishing Bar

O1 (x2)



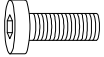
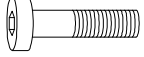
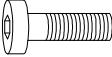
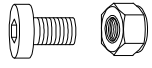
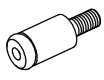
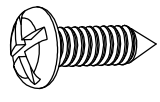
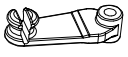
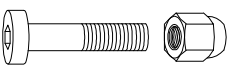
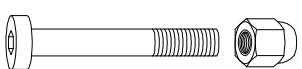
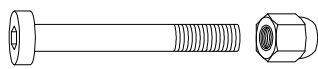
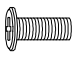
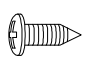
Bracket

U4 (x4)

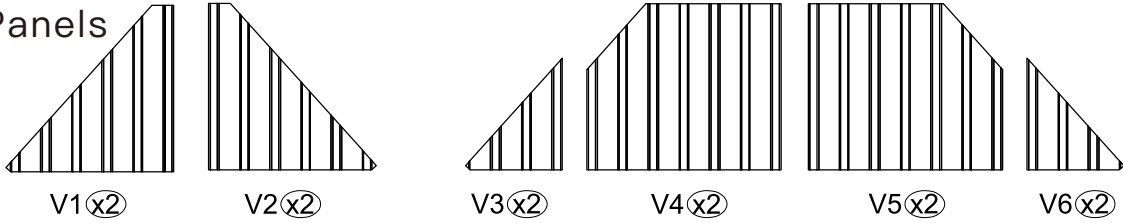


Finishing Bar

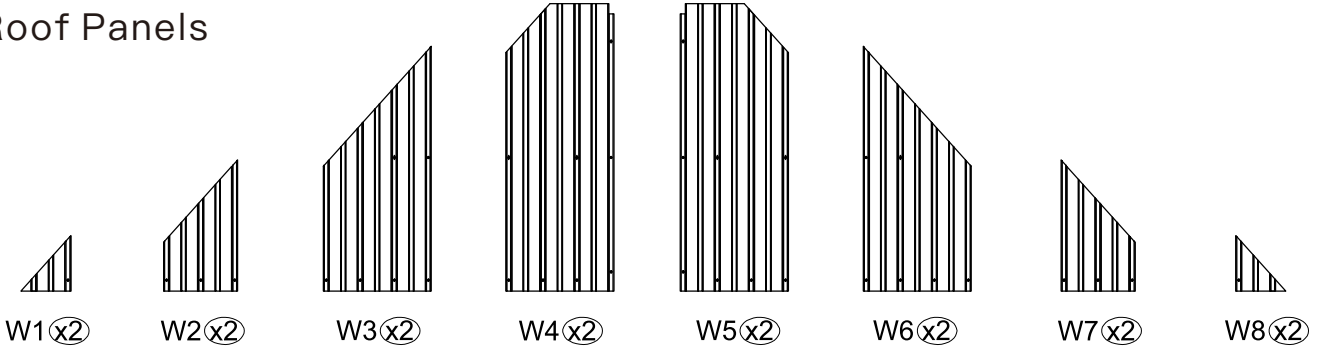
O2 (x2)

 <p>M6x16</p> <p>1# x184</p>	 <p>M6x25</p> <p>10# x4</p>
 <p>M6x20</p> <p>2# x24</p>	 <p>M6x12</p> <p>11# x12</p>
 <p>3# x16</p>	 <p>ST6.3*18</p> <p>12# x12</p>
 <p>Plastic Hooks</p> <p>4# x112</p>	
 <p>M6x28</p> <p>5# x72</p>	
 <p>M6x45</p> <p>6# x8</p>	
 <p>M6x50</p> <p>7# x32</p>	
 <p>M5x16</p> <p>8# x4</p>	
 <p>ST4.8x13</p> <p>9# x24</p>	

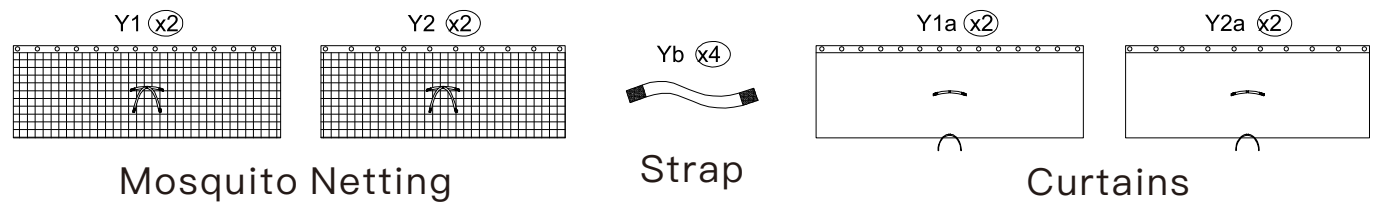
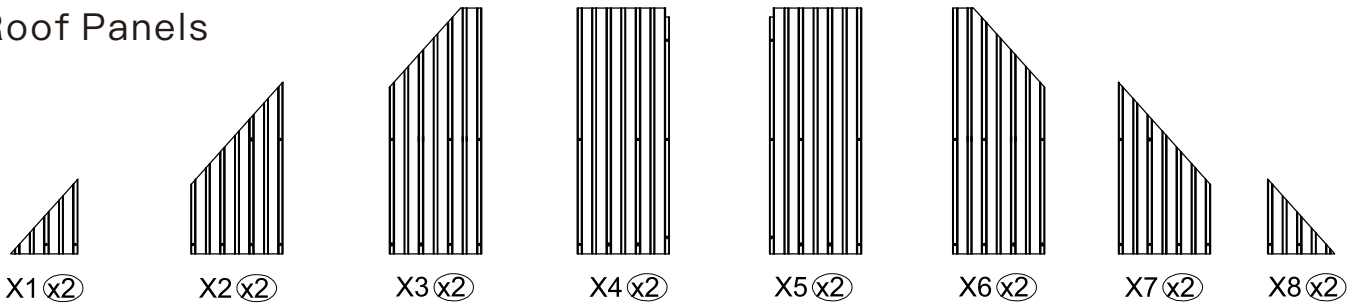
Roof Panels



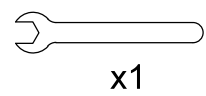
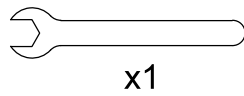
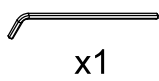
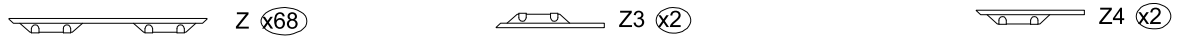
Roof Panels



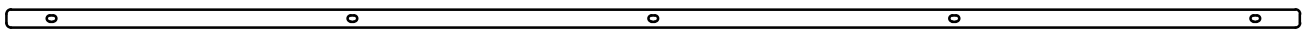
Roof Panels



Plastic Clips



Plastic Bar



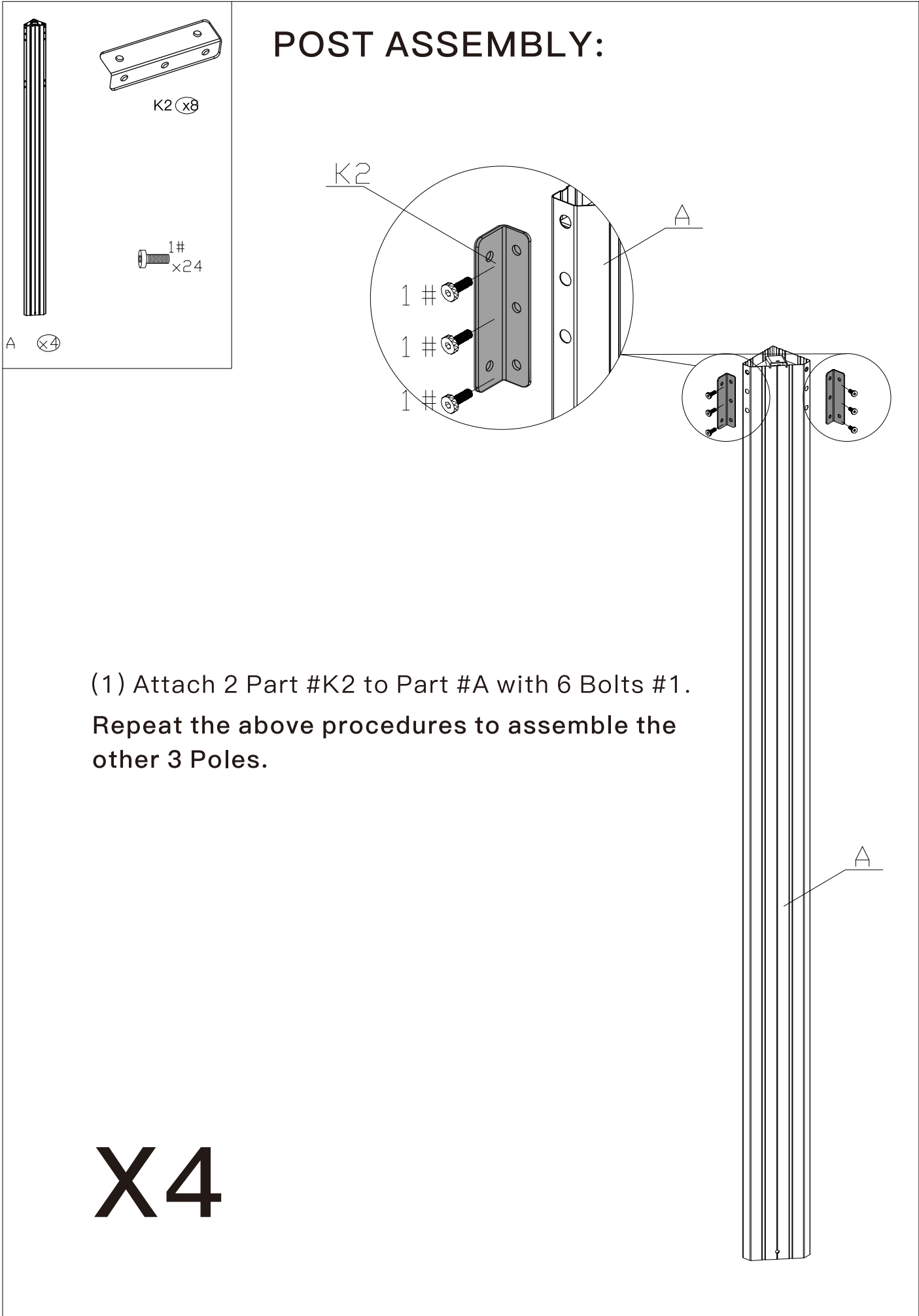
Pa (x2)



Plastic Bar

Pb (x2)

POST ASSEMBLY:

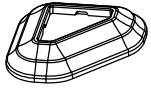


(1) Attach 2 Part #K2 to Part #A with 6 Bolts #1.
Repeat the above procedures to assemble the other 3 Poles.

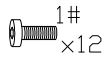
X4



K (x4)



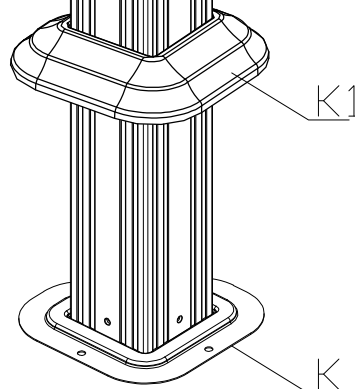
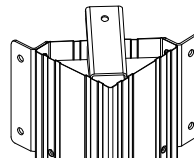
K1 (x4)



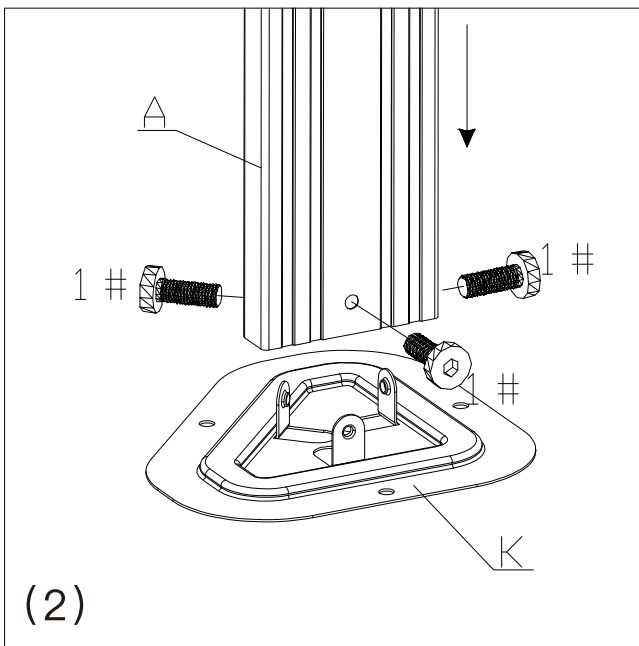
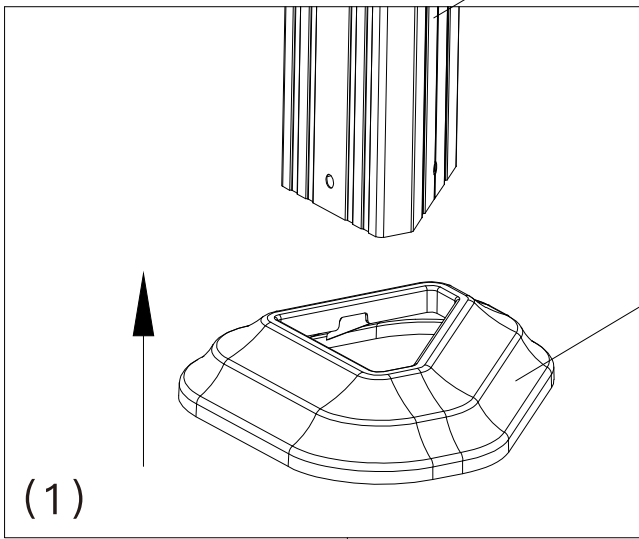
1#
x12

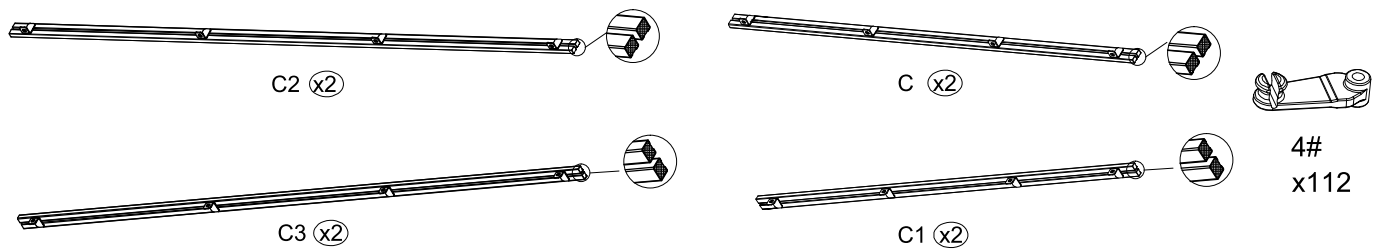
(1) Put on Base Cover #K1 first;

(2) Attach Base #K to Pole #A with 3 Bolts #1.

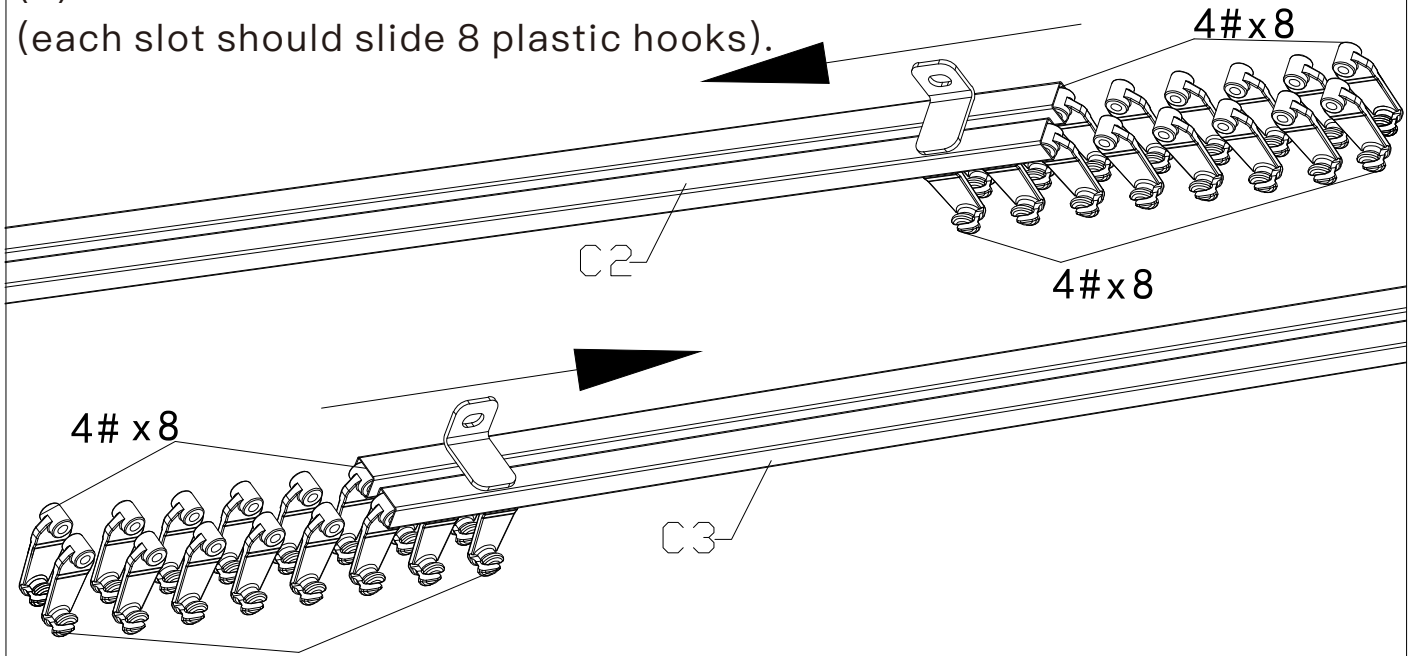


X4

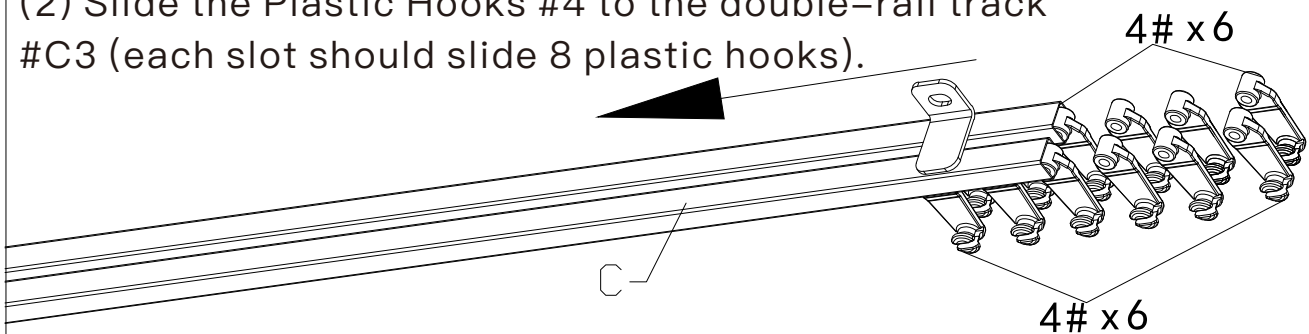




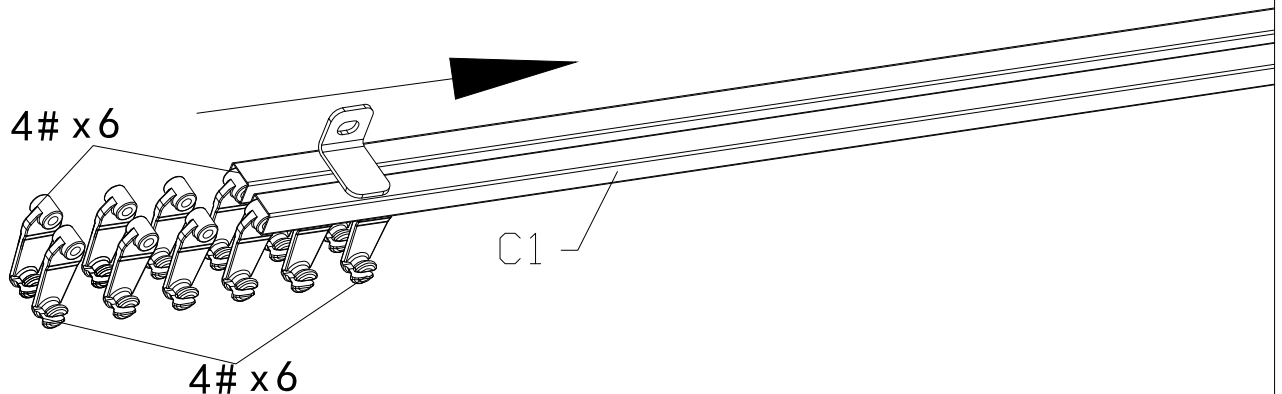
(1) Slide the Plastic Hooks #4 to the double-rail track #C2 (each slot should slide 8 plastic hooks).



(2) Slide the Plastic Hooks #4 to the double-rail track #C3 (each slot should slide 8 plastic hooks).



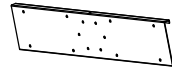
(3) Slide the Plastic Hooks #4 to the double-rail track #C (each slot should slide 6 plastic hooks).



(4) Slide the Plastic Hooks #4 to the double-rail track #C1 (each slot should slide 6 plastic hooks).



B2 (x2)



E (x2)

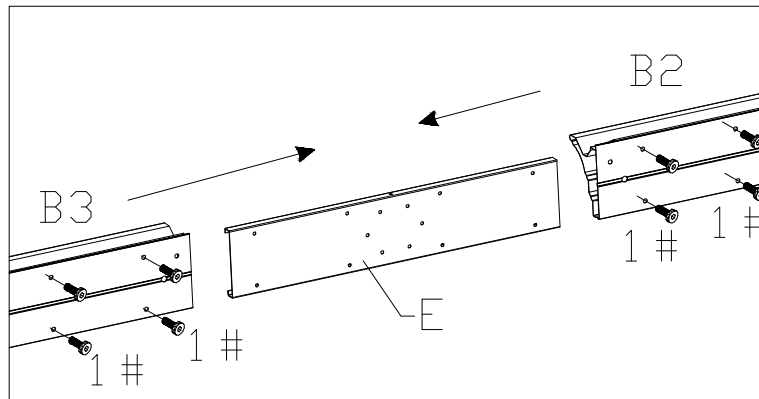


1#
x16



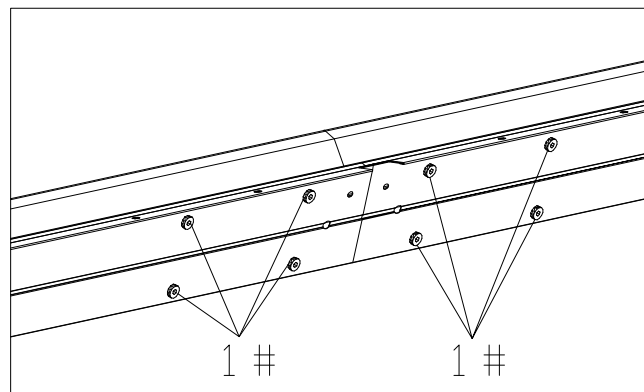
B3 (x2)

BEAM ASSEMBLY

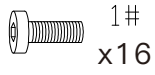


- (1) Insert Part #E into Part #B3, and secure with 4 Bolts #1.
- (2) Insert the other side of Part #E into Part #B2 and secure with 4 Bolts #1.

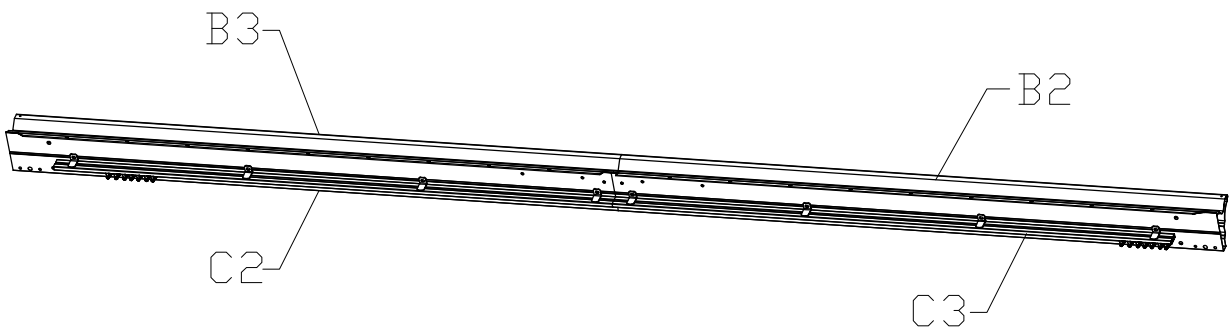
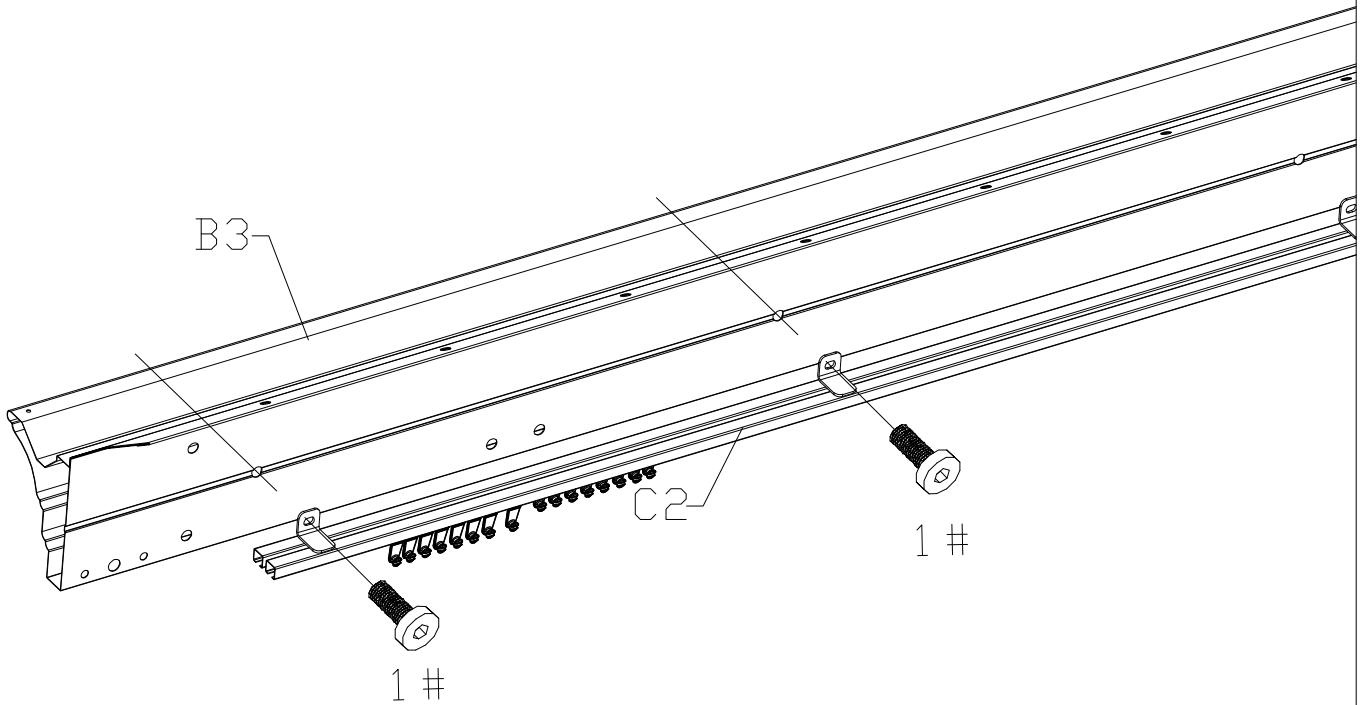
Repeat the above procedures to assemble the other Part #B3 and #B2.



TIPS: It's a normal situation that there's a gap between the 2 beams, please use silicone sealant(part #H) and Joint Cover #G to affix the gap.(see P11)

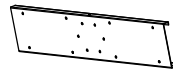


Use 8 Bolts #1 to fix the track C2 & C3 to the beam B3 & B2.
Repeat the above procedures for aother beams B3 & B2.





B x2



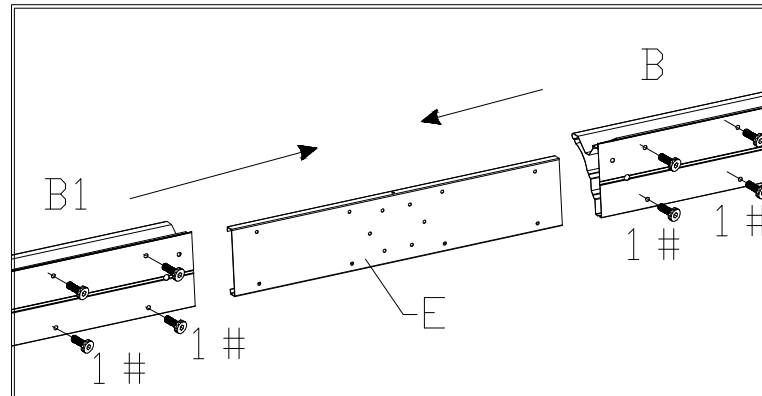
E x2



1#
x16

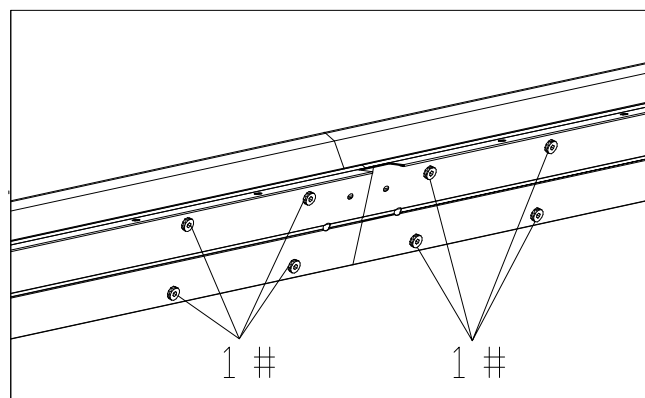
B1 x2

BEAM ASSEMBLY



- (1) Insert Part #E into Part #B1, and secure with 4 Bolts #1.
- (2) Insert the other side of Part #E into Part #B and secure with 4 Bolts #1.

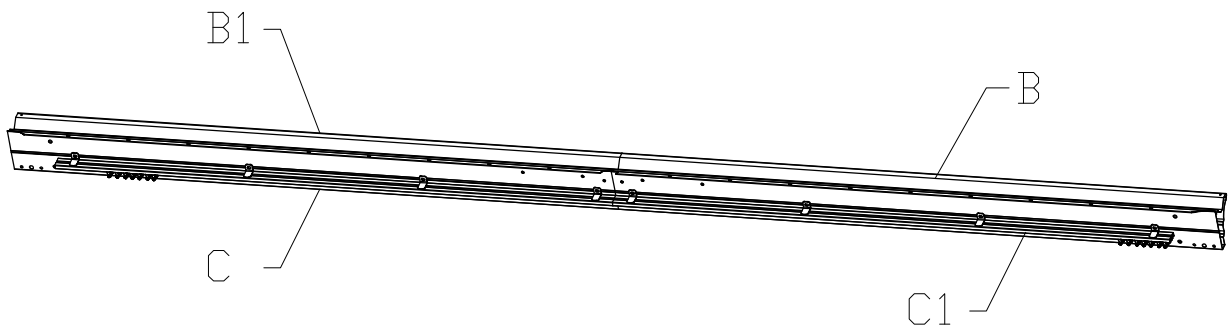
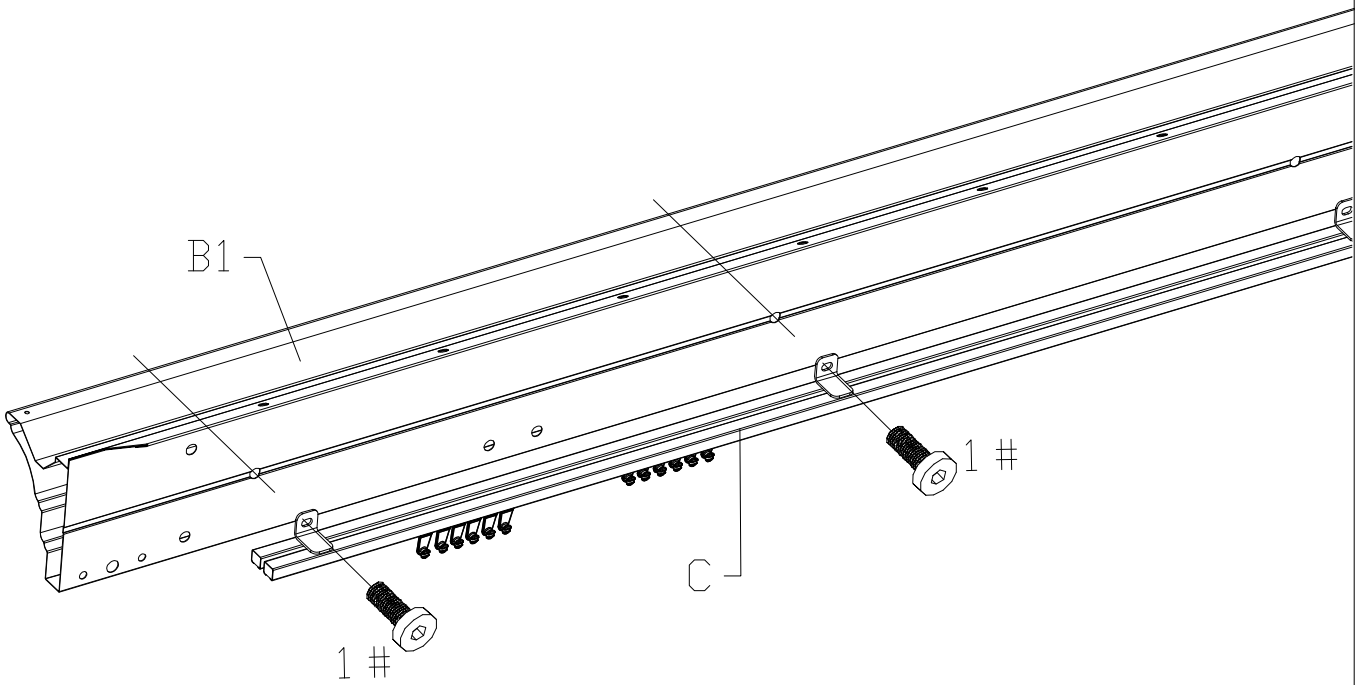
Repeat the above procedures to assemble the other Part #B1 and #B.



TIPS: It's a normal situation that there's a gap between the 2 beams, please use silicone sealant(part #H) and Joint Cover #G to affix the gap.(see P11)

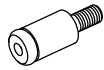
1#
x16

Use 8 Bolts #1 to fix the track C & C1 to the beam B1 & B.
Repeat the above procedures for aother beams B1 & B.



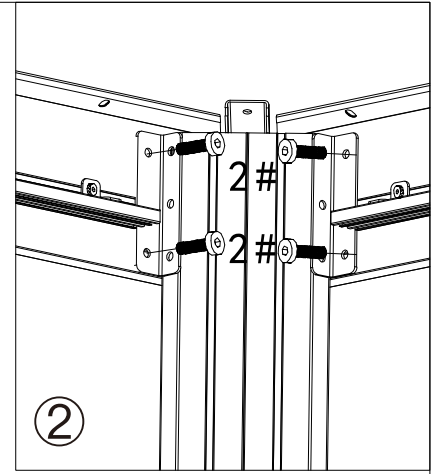


2#
x16



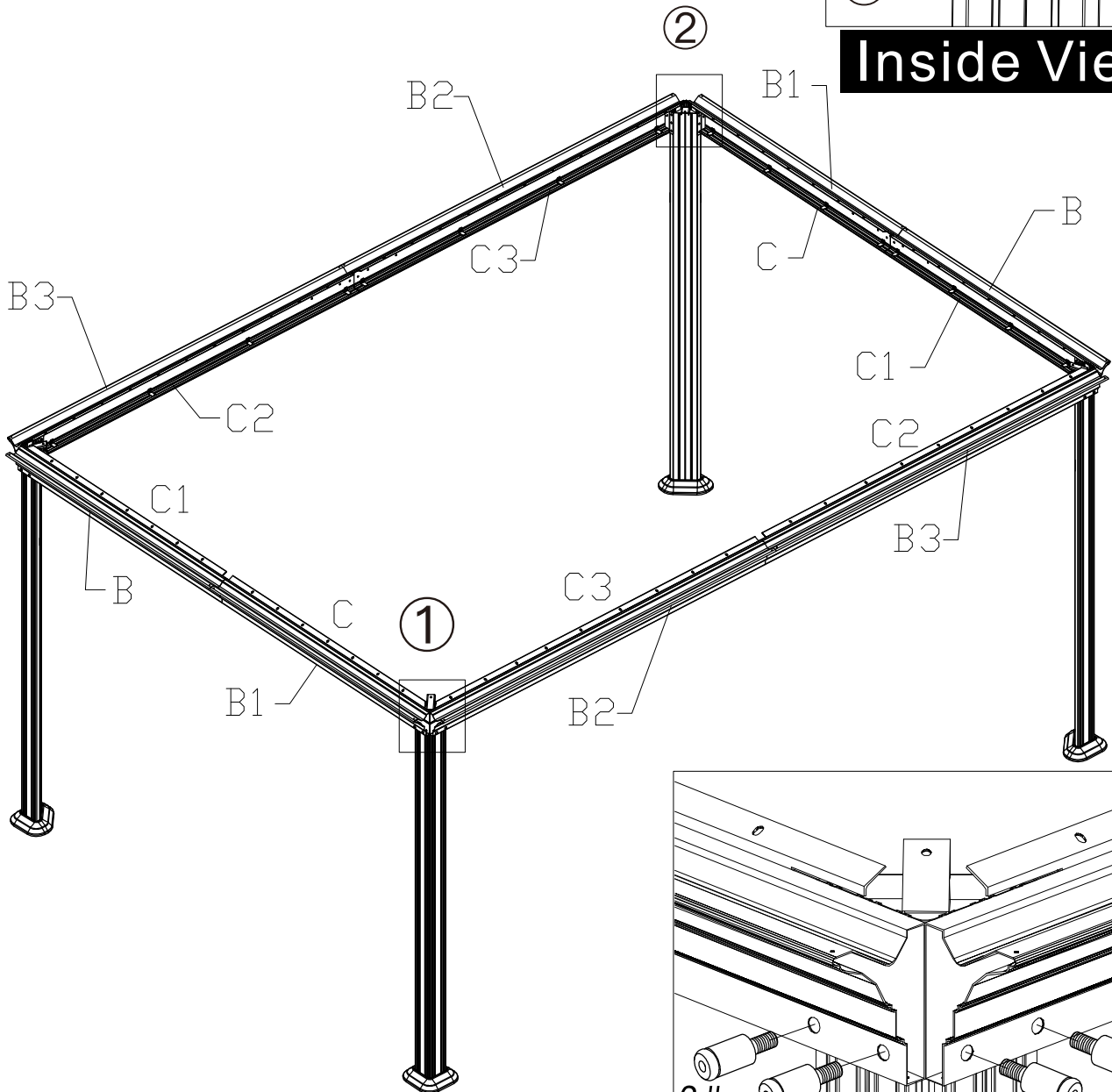
3#
x16

FRAME ASSEMBLY:

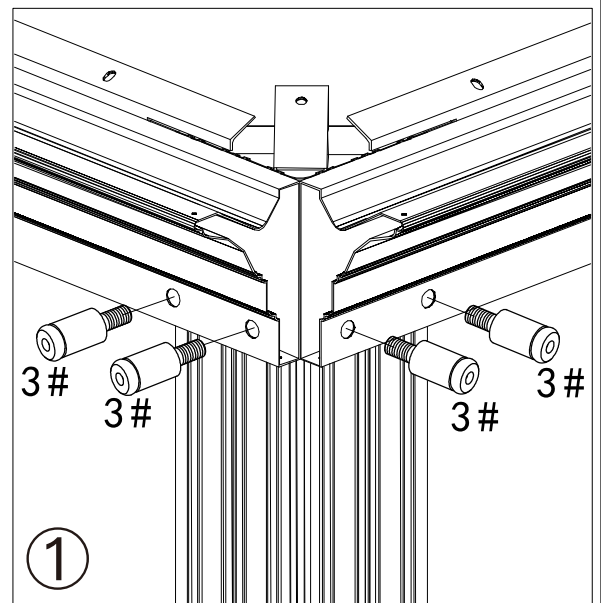


②

Inside View

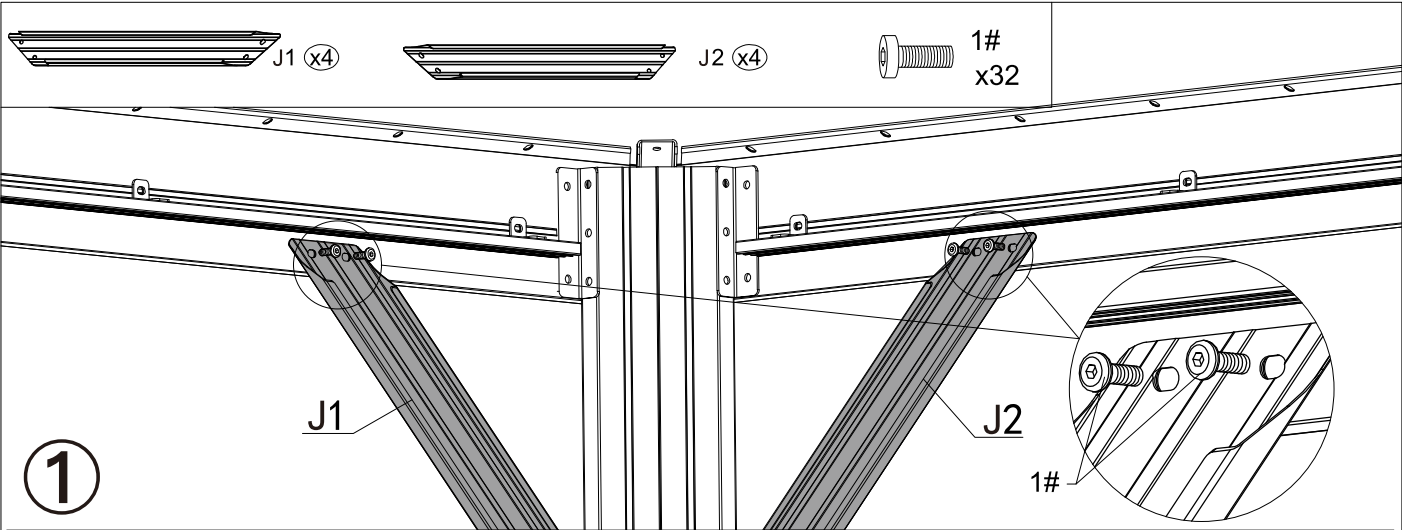


Please don't tighten
all bolts.



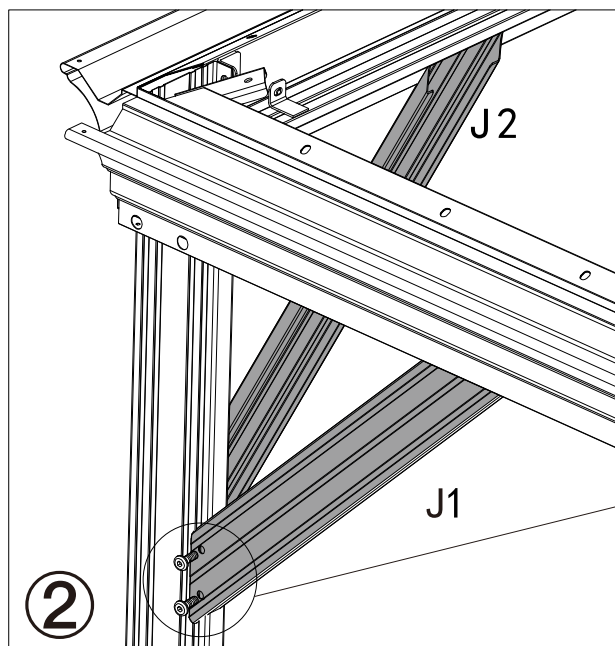
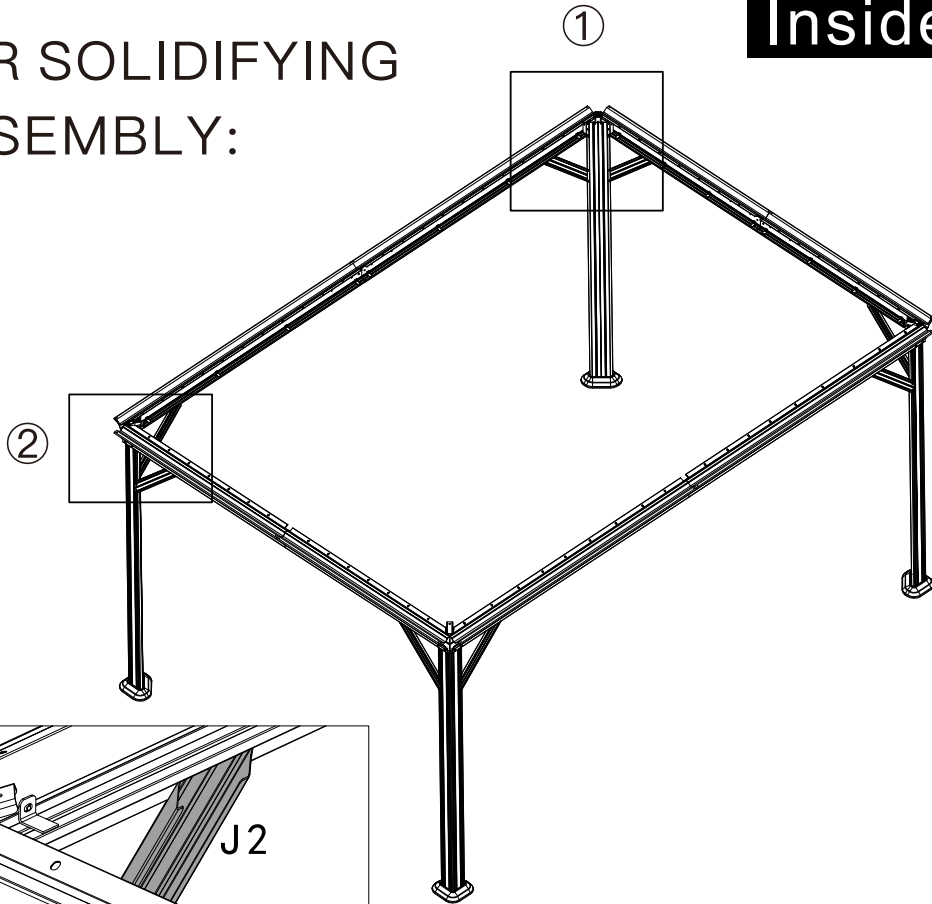
①

Outside View



CORNER SOLIDIFYING
BAR ASSEMBLY:

Inside View



Outside View

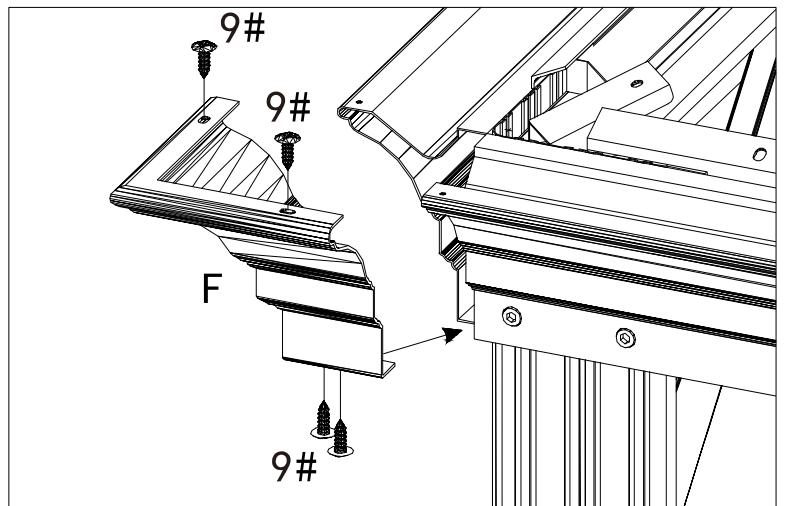
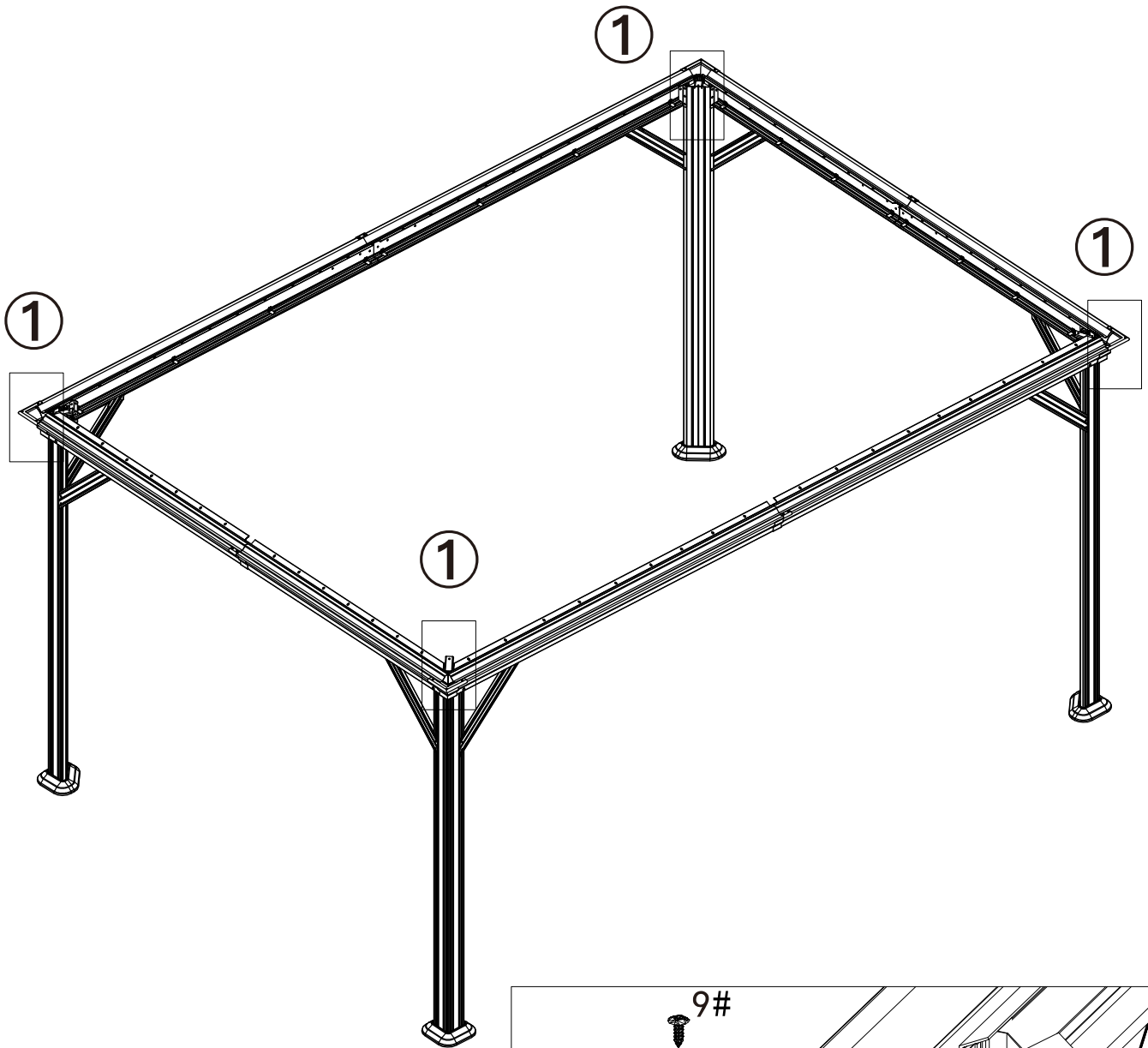


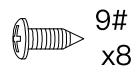
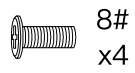
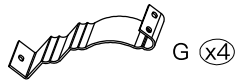
F (x4)



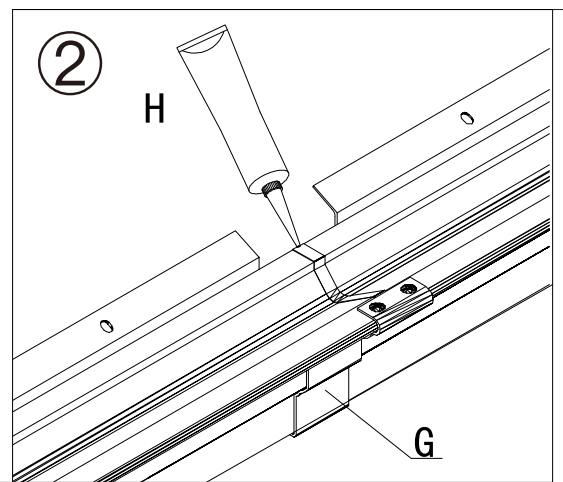
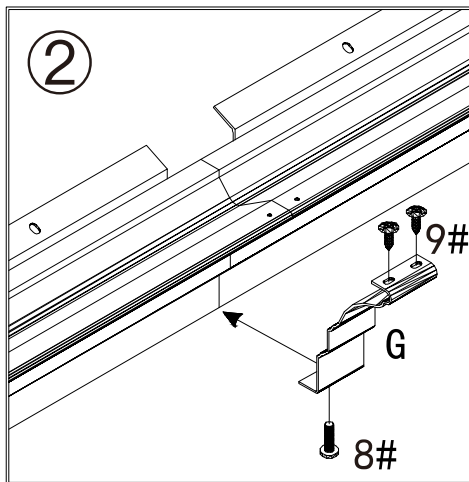
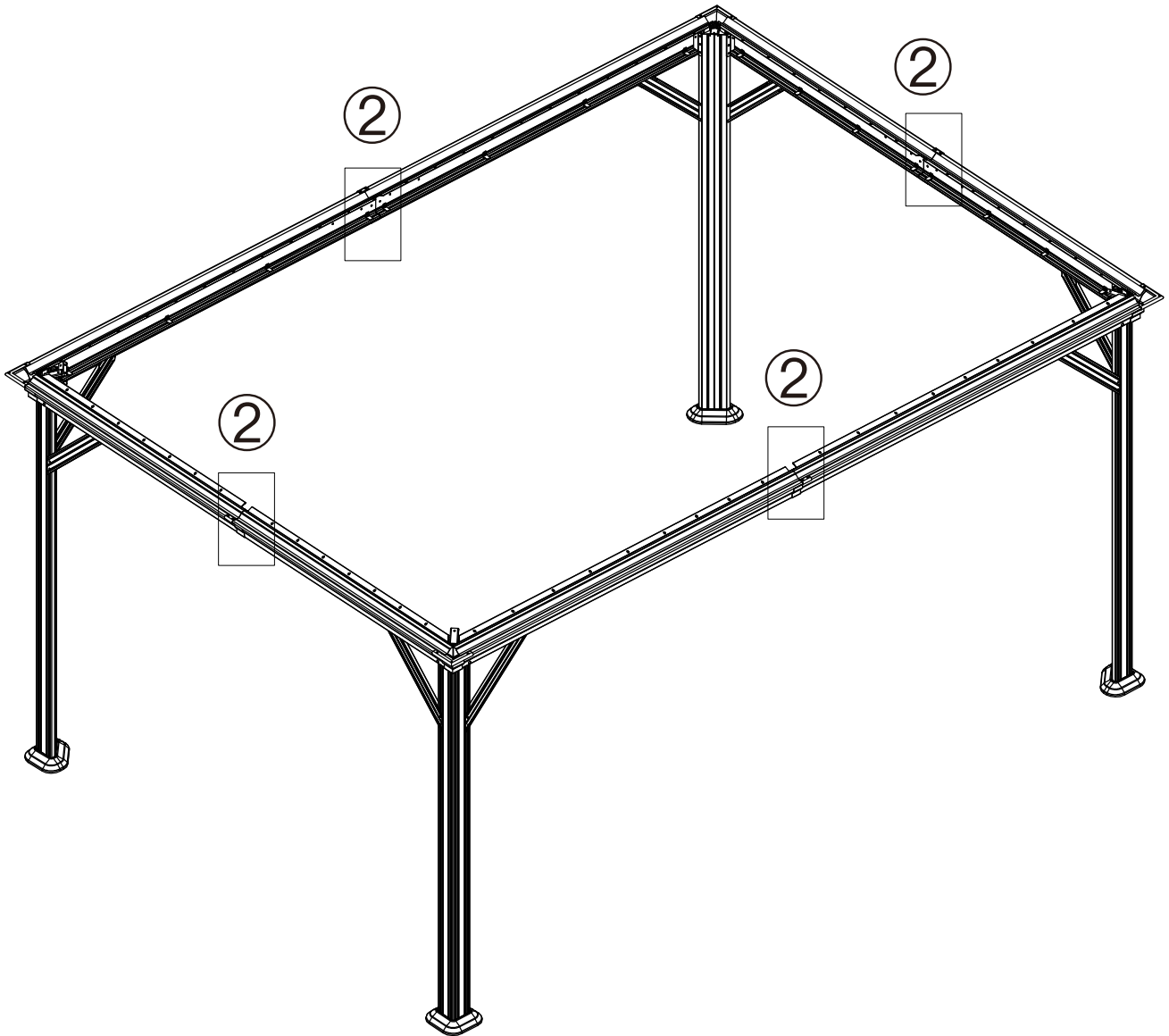
9#
x16

CORNER COVER & JOINT COVER ASSEMBLY:





Use 5mm silicone sealant (part #H) and Joint Cover #G to affix the gap.

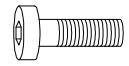




L (x4)

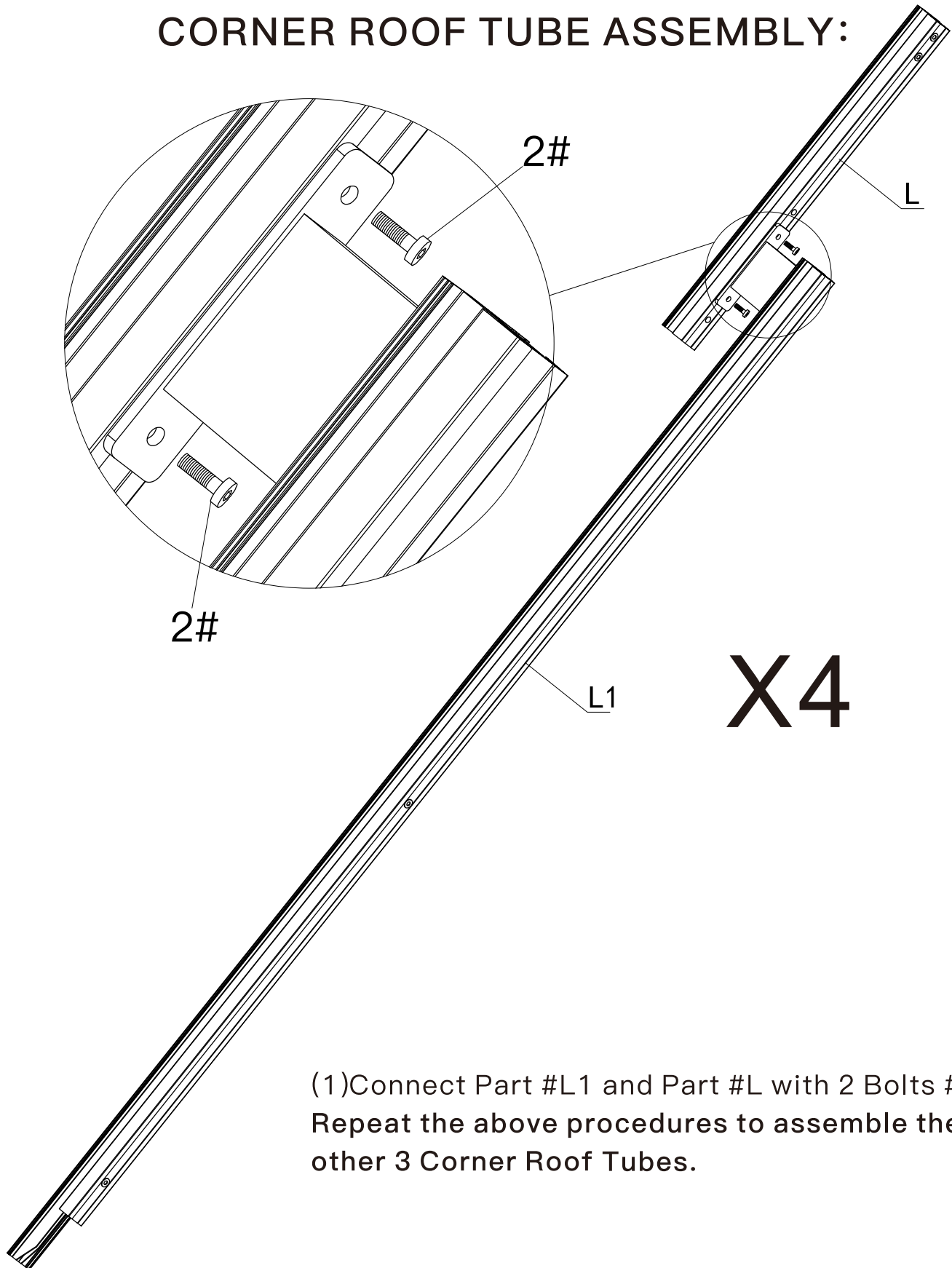


L1 (x4)

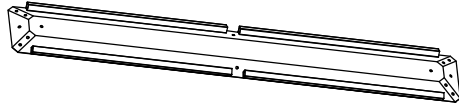


2#
x8

CORNER ROOF TUBE ASSEMBLY:

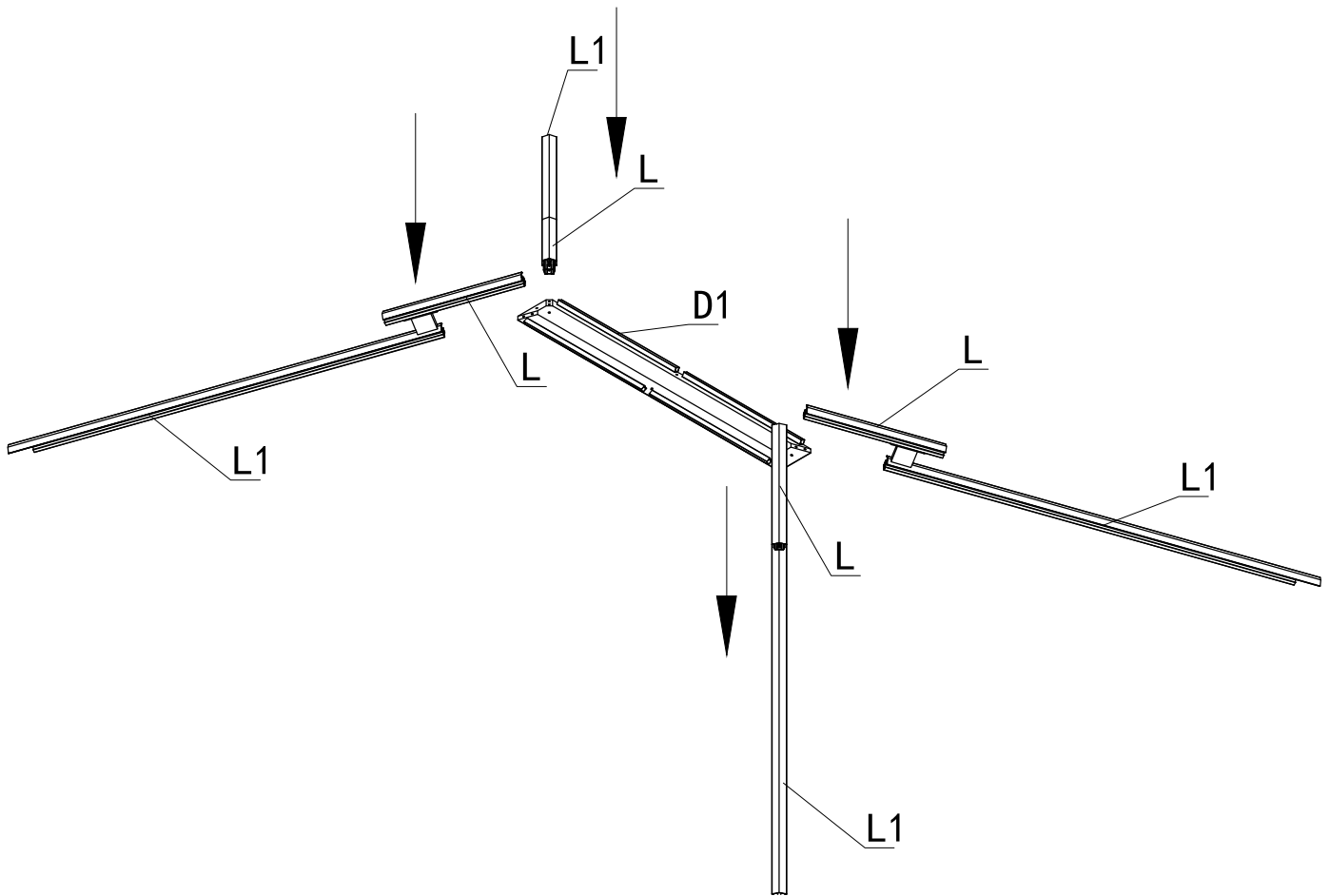


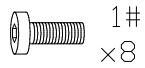
(1) Connect Part #L1 and Part #L with 2 Bolts #2.
 Repeat the above procedures to assemble the
 other 3 Corner Roof Tubes.



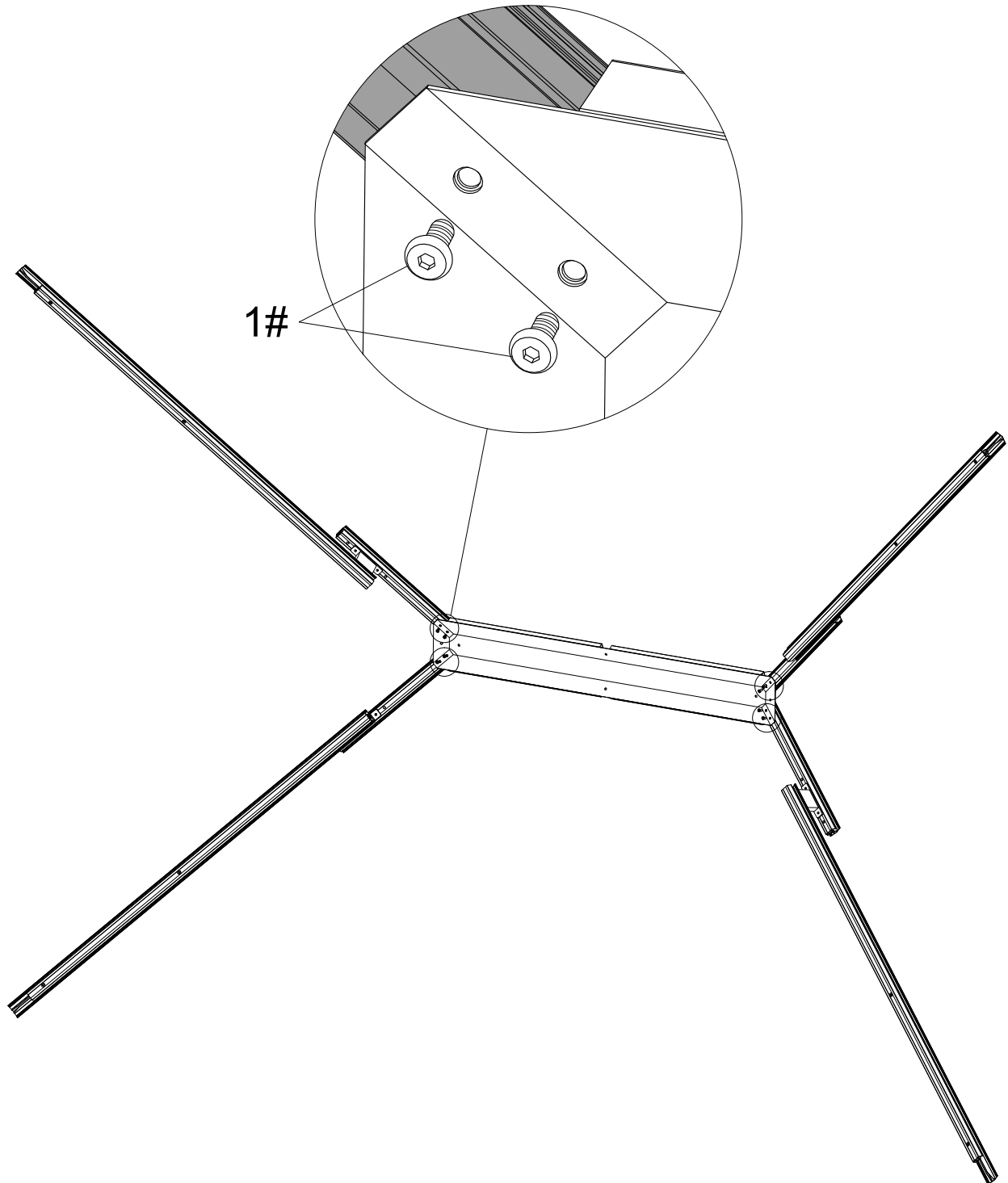
D1 (x1)

CORNER ROOF TUBE AND INSIDE ROOFCONNECTOR ASSEMBLY:

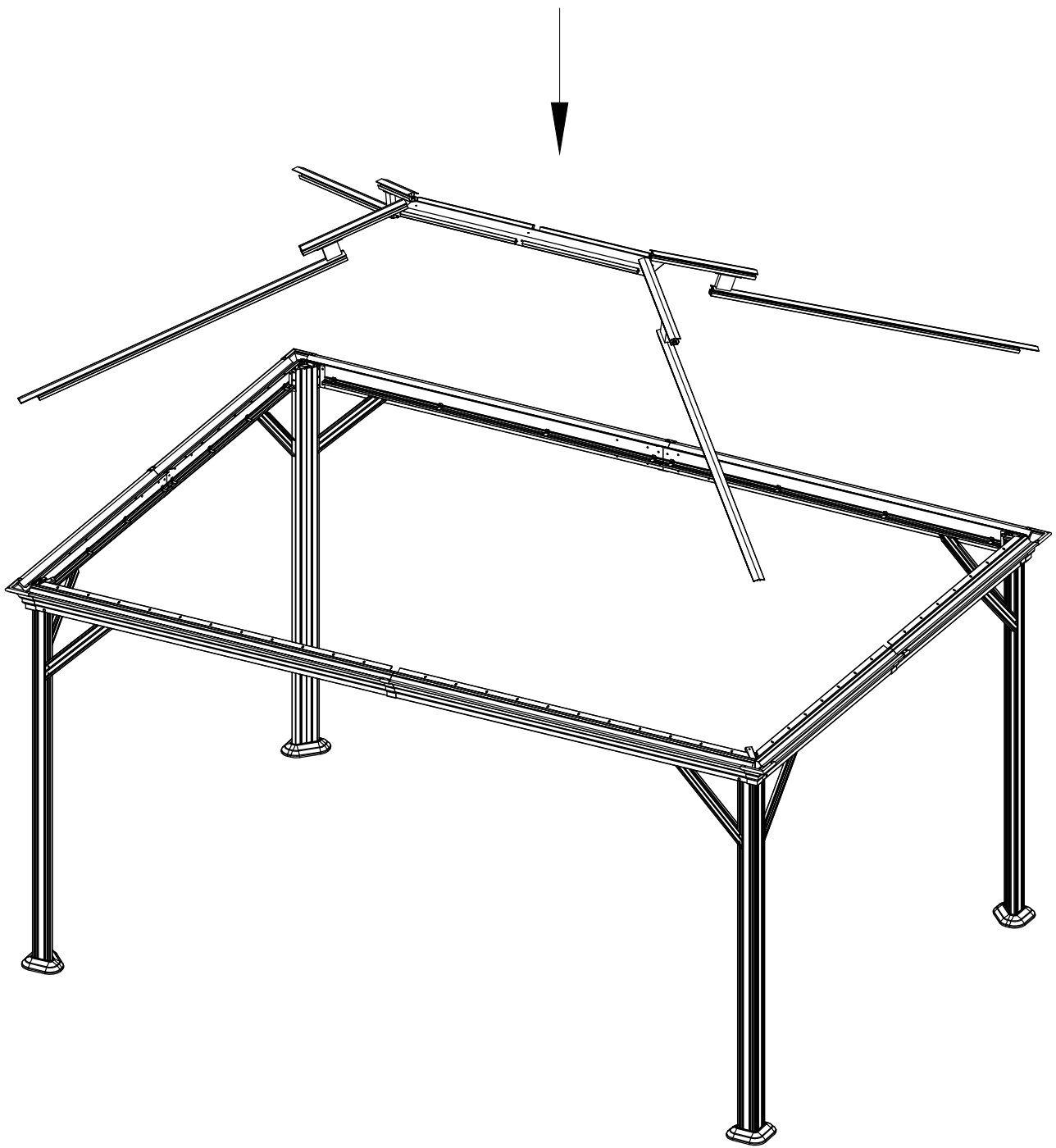




Place 4 Corner Roof Tubes on the 4 corners of Inside Roof Cover #D1 ,secure with 8 Bolts #1 (from bottom to top).

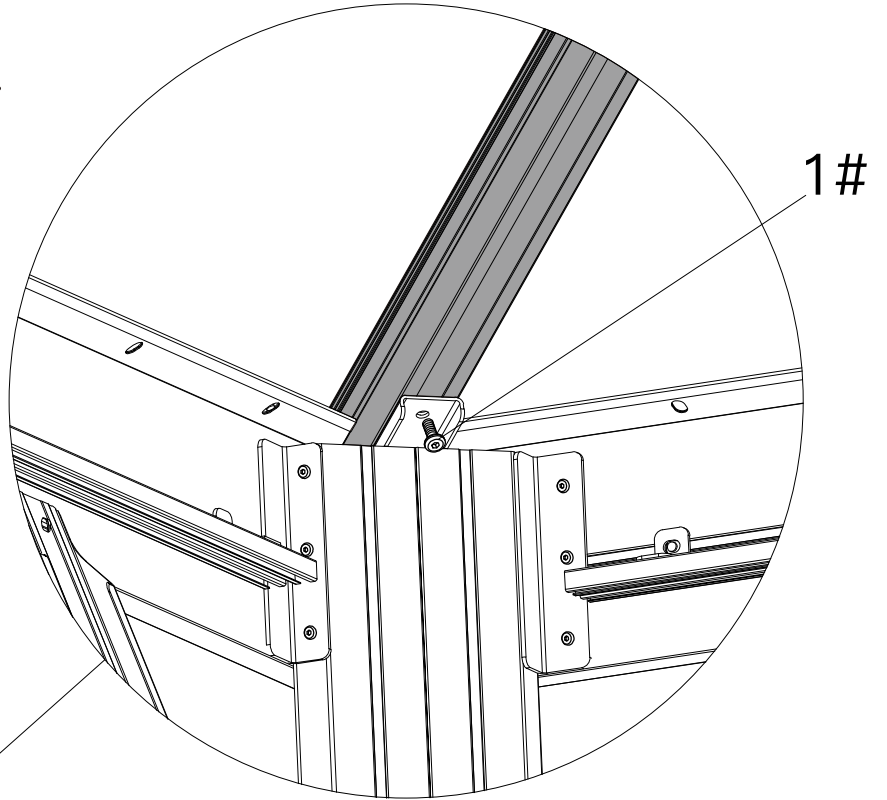


Lift 4 corner roof Tubes and inside roof connector to the top of the frame.(You may need 2 people and 2 ladders).

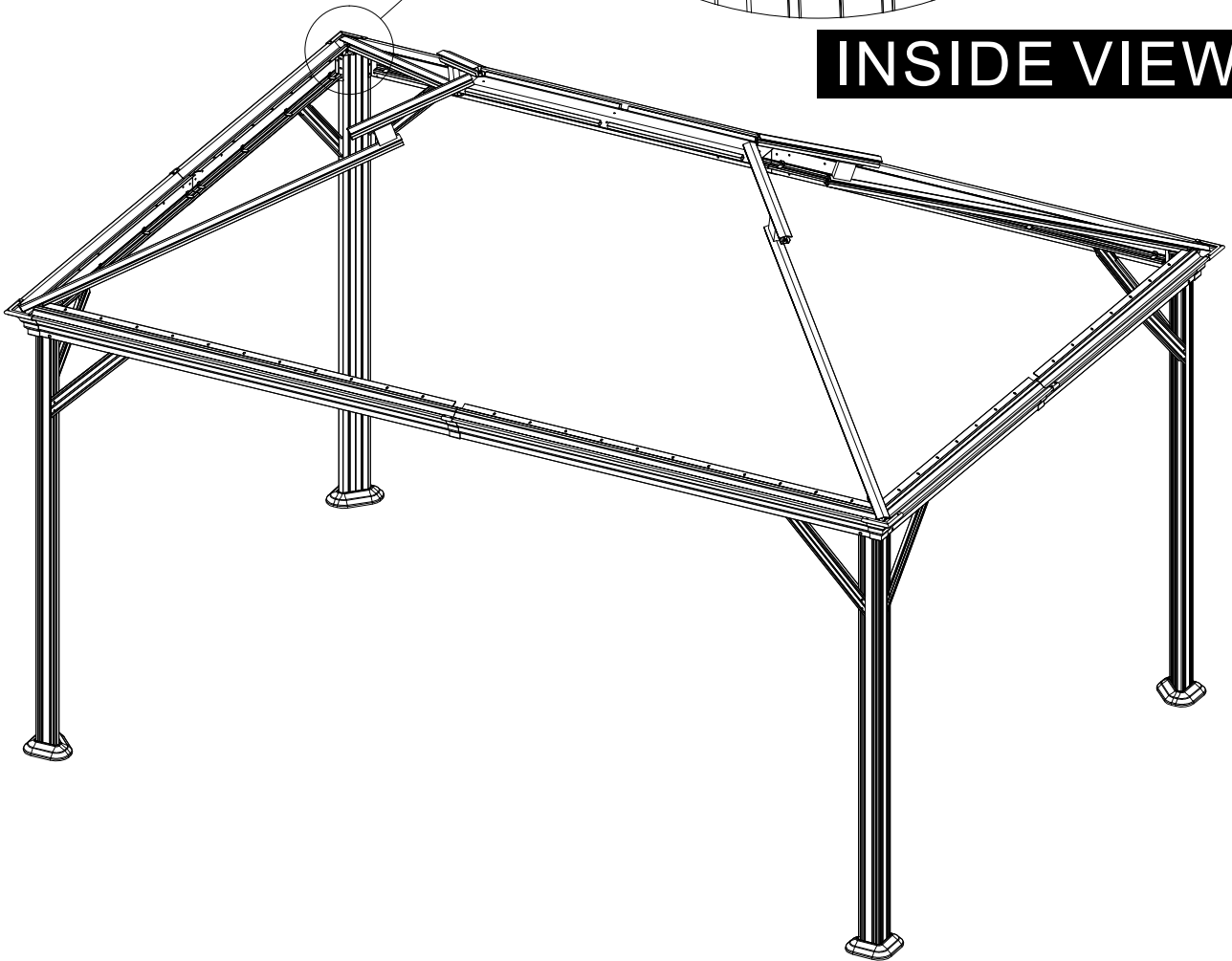


1#
×4

Secure with 4 Bolts #1.



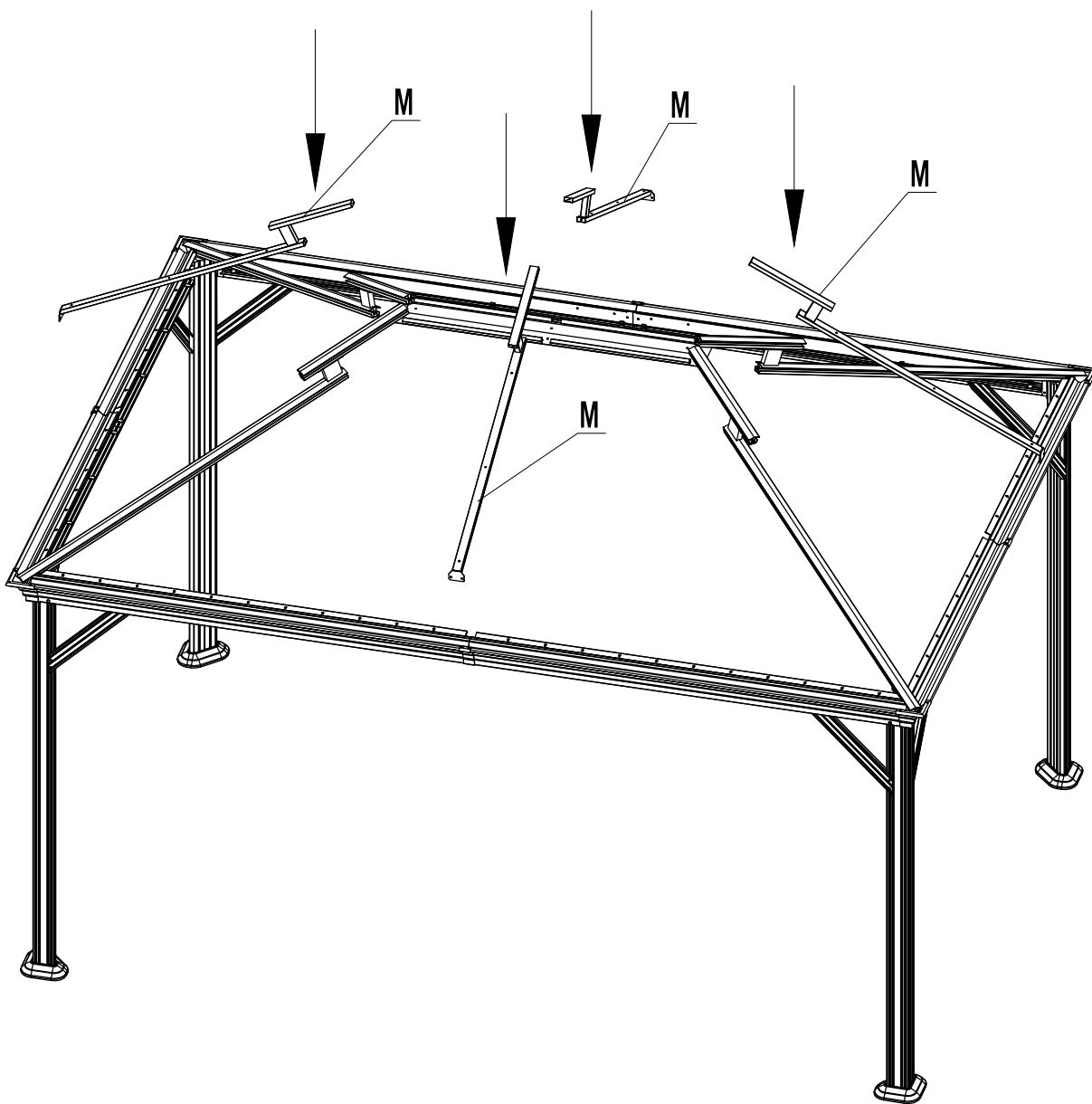
INSIDE VIEW





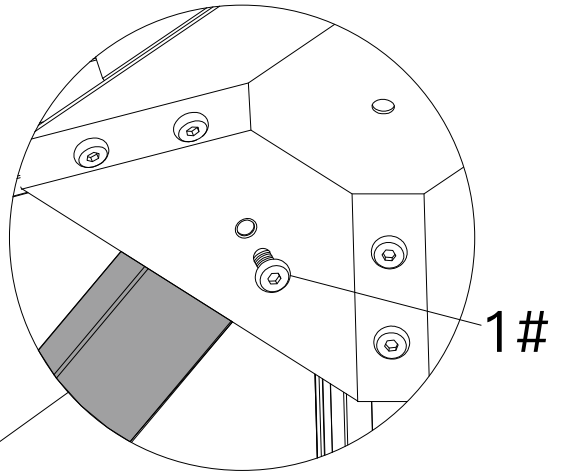
M (x4)

MIDDLE ROOF TUBE ASSEMBLY:

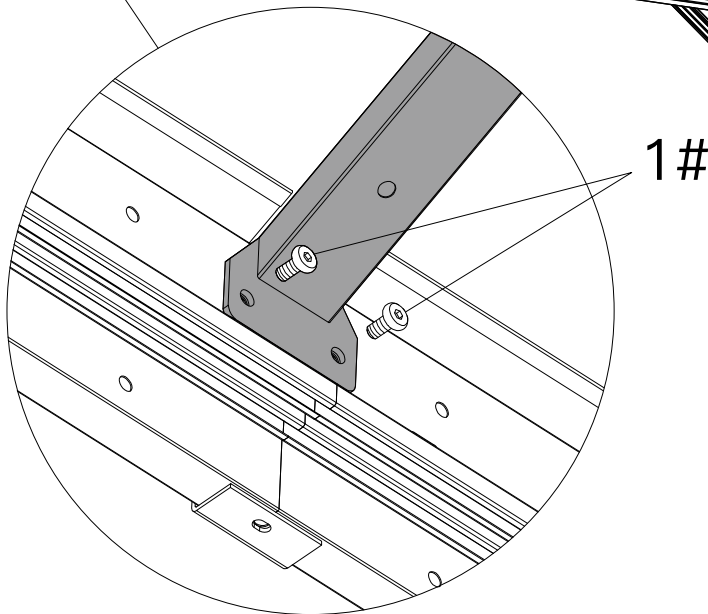
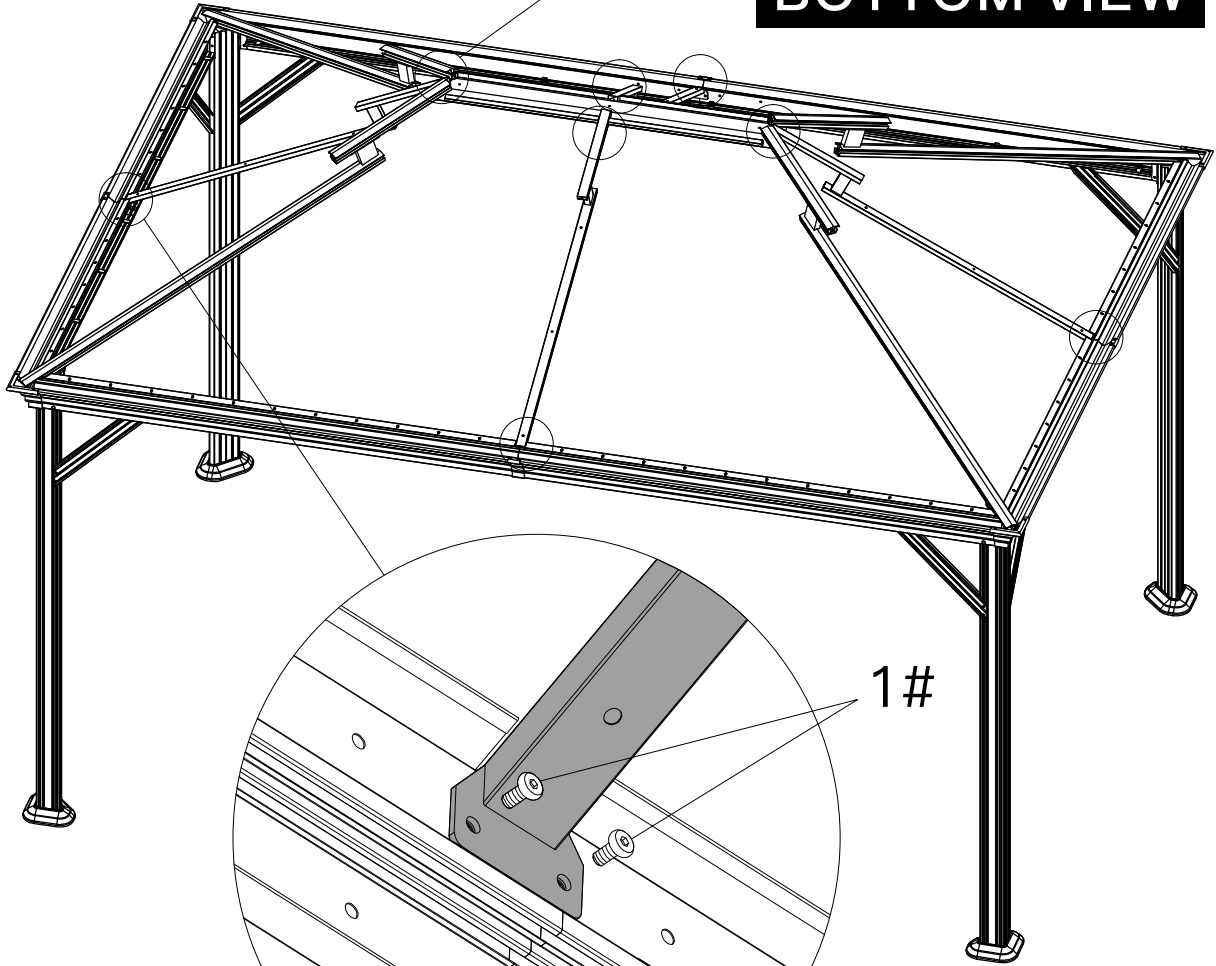


1#
x12

MIDDLE ROOF TUBE ASSEMBLY:

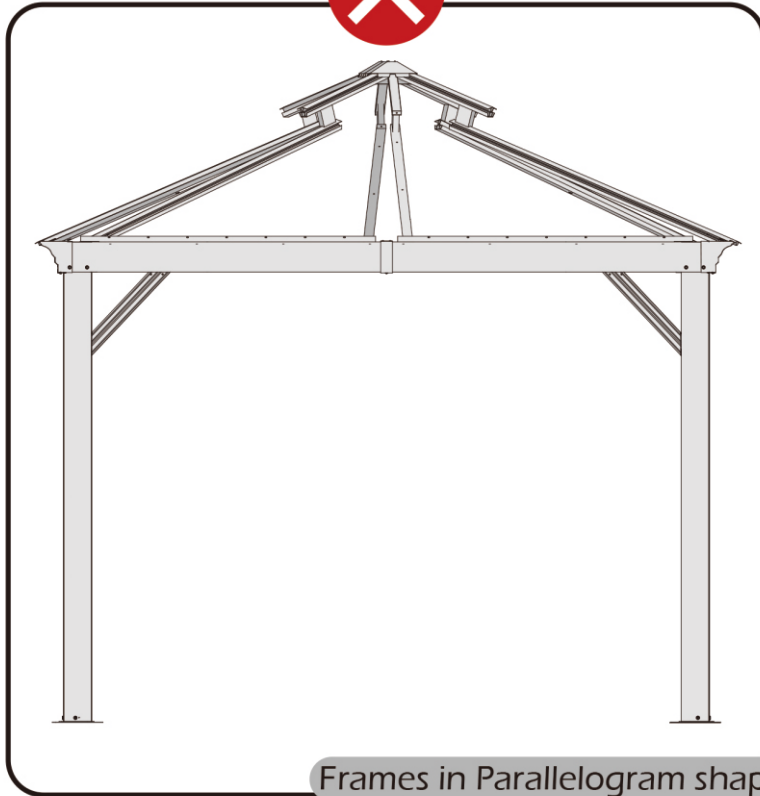


BOTTOM VIEW

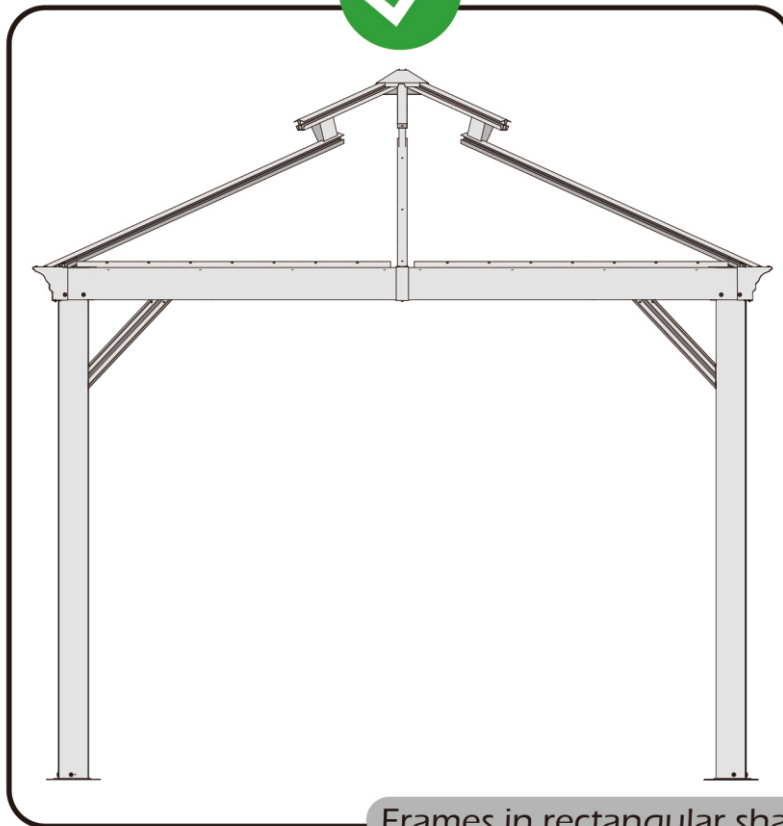


INSIDE VIEW

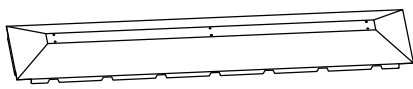
Check the the frame as pictures below shows.



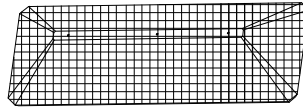
Frames in Parallelogram shape



Frames in rectangular shape



D (x1)



P (x1)



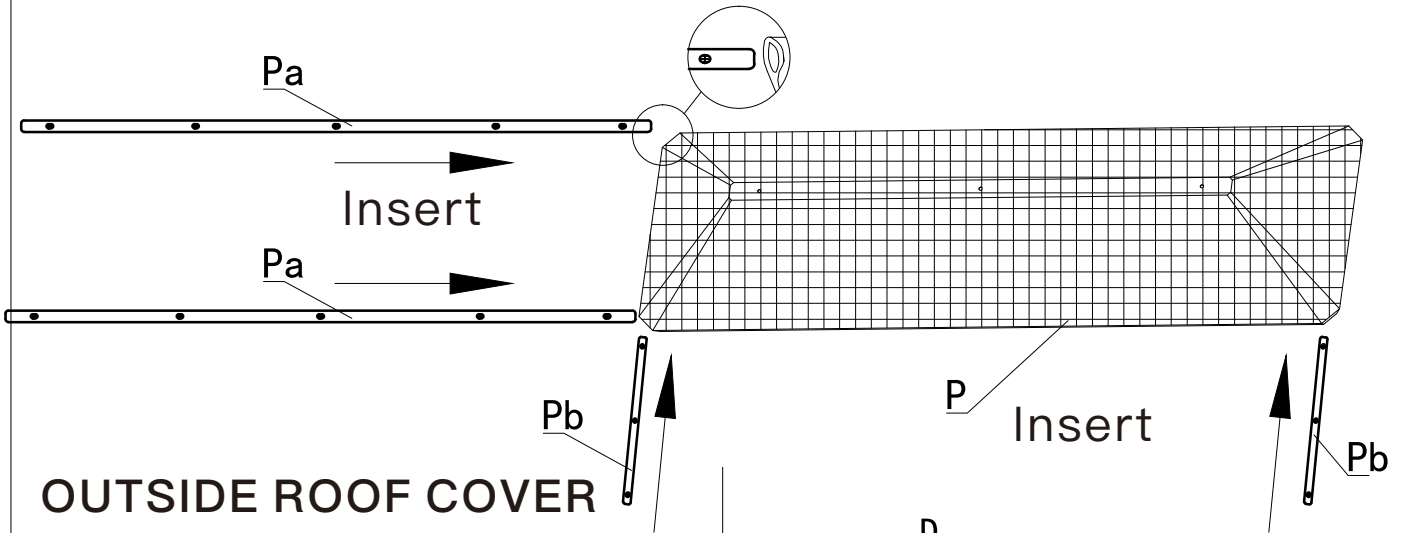
R1 (x3)



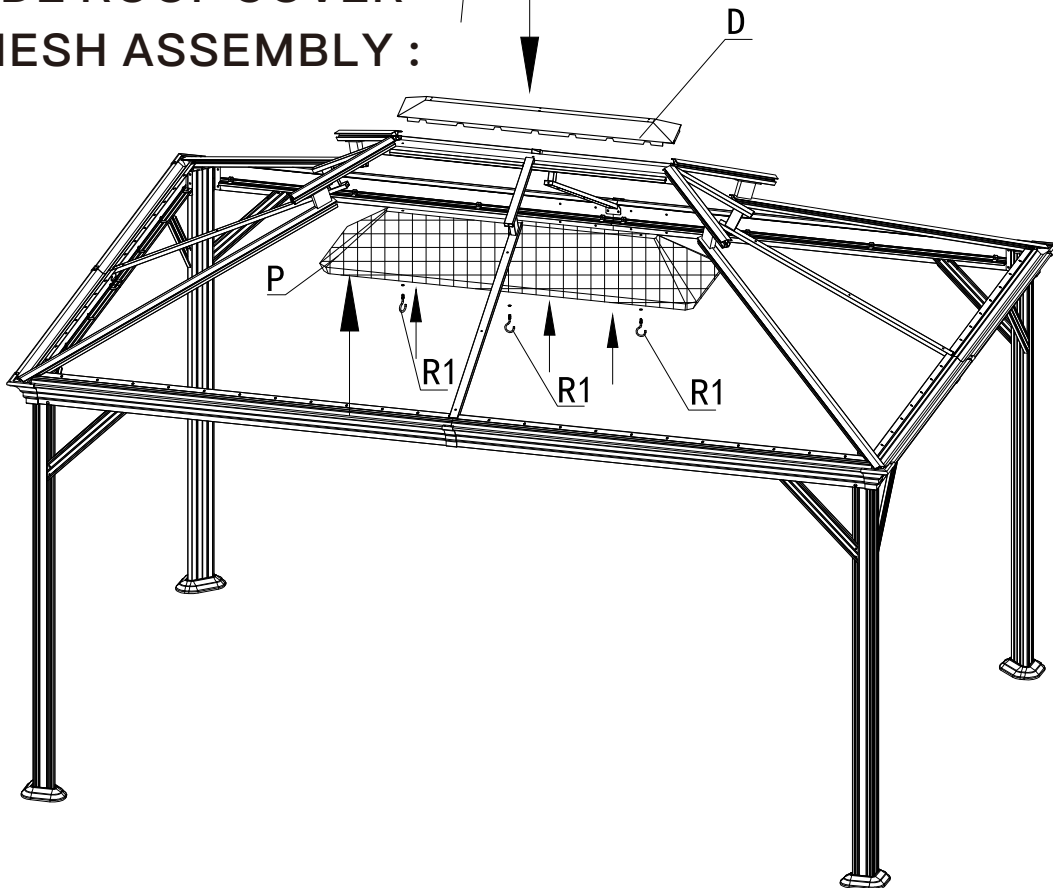
Pa (x2)



Pb (x2)

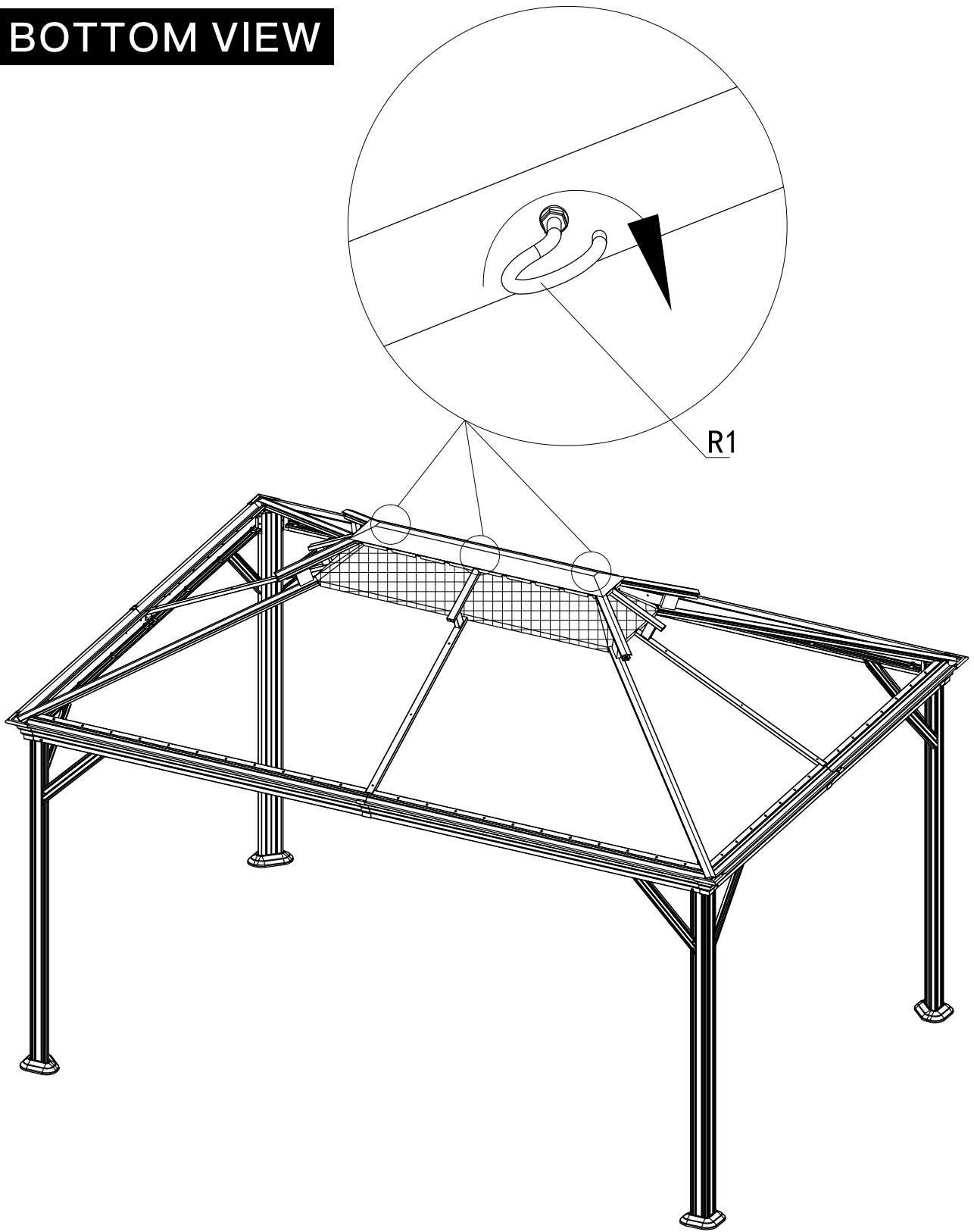


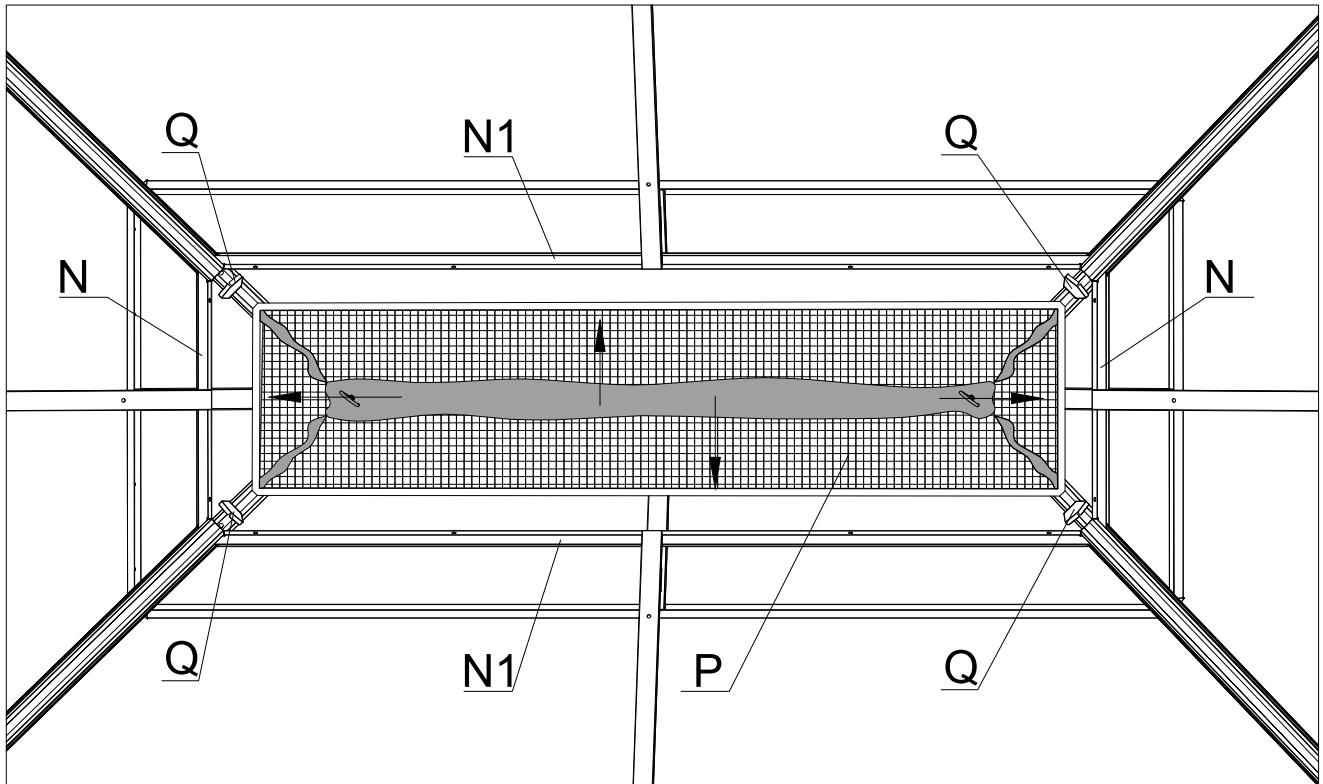
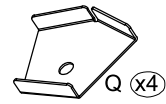
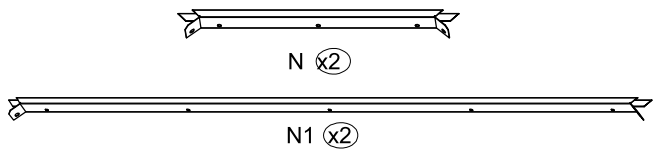
OUTSIDE ROOF COVER AND MESH ASSEMBLY :



- (1) Insert the Plastic Bar #Pa and #Pb to the small mesh #P.
- (2) Place the Outside Roof Cover #D on the inside Roof Cover.
- (3) Align the holes and use 3 Hooks #R1 to secure small mesh #P to the inside Roof Cover (From Bottom to Top).

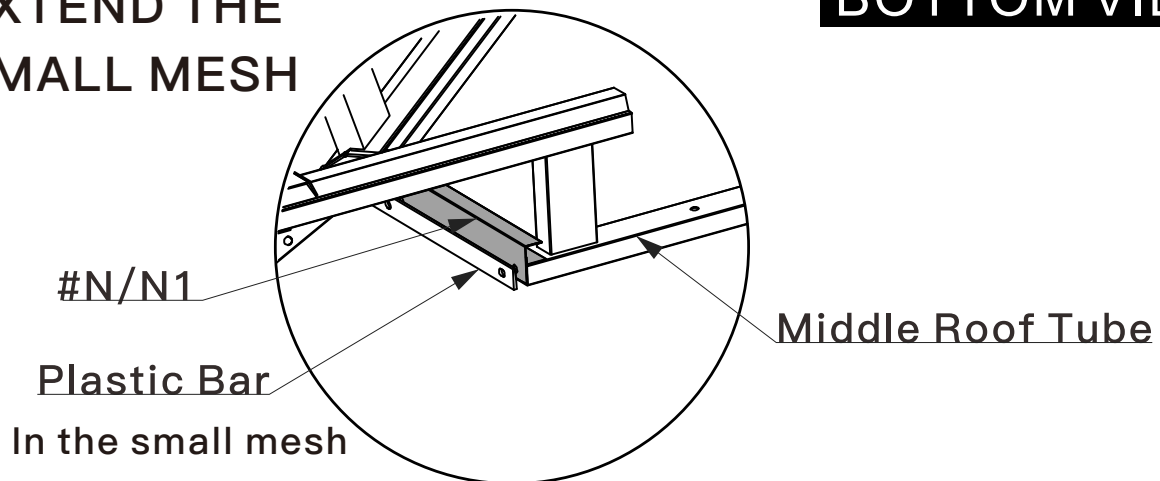
BOTTOM VIEW





BOTTOM VIEW

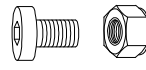
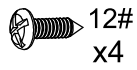
EXTEND THE
SMALL MESH



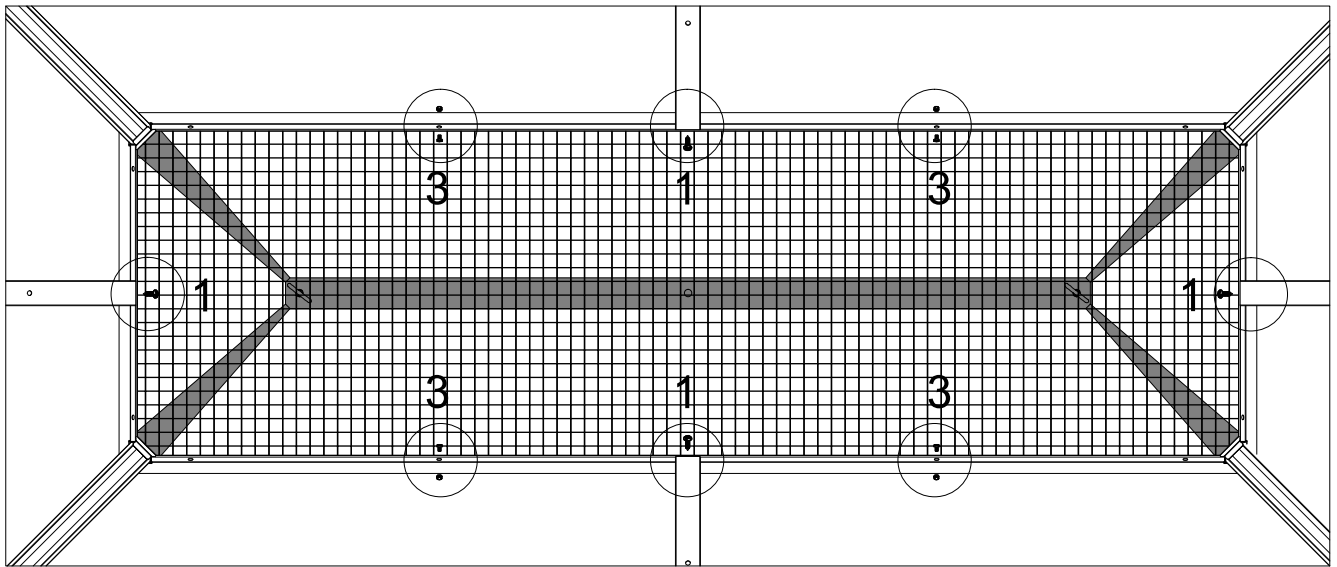
INSIDE VIEW



Please do not pull plastic bar out when installing it with #N&N1 to the middle roof tube.

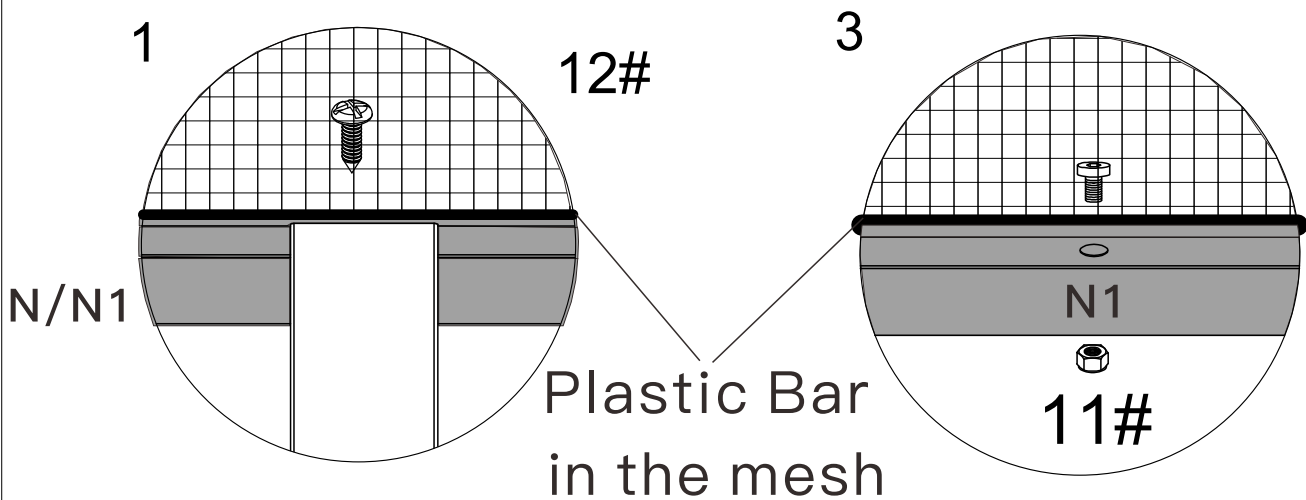


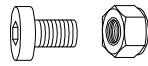
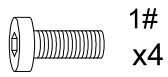
11#
x4



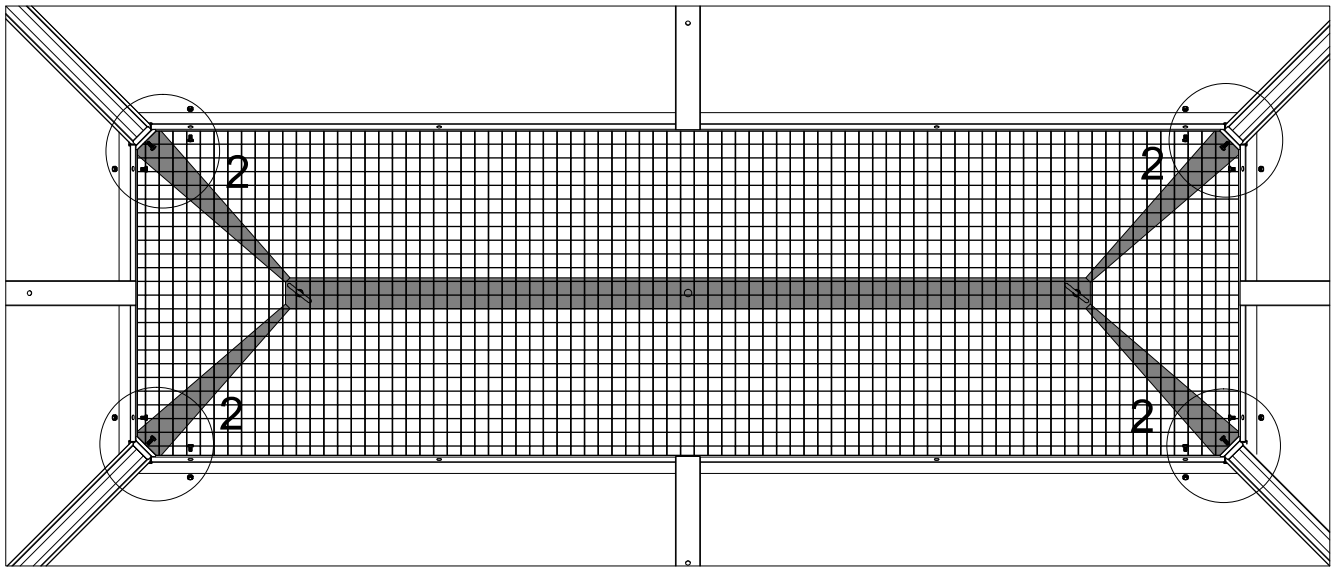
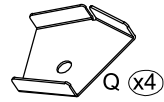
BOTTOM VIEW

- (1) Extend the small mesh, then use Screw #12 to secure the plastic bar (inside the small mesh) and the finishing bar to the middle roof tube.
- (2) Use 4 bolts and nuts #11 to secure the small mesh, plastic bar to finishing bar.

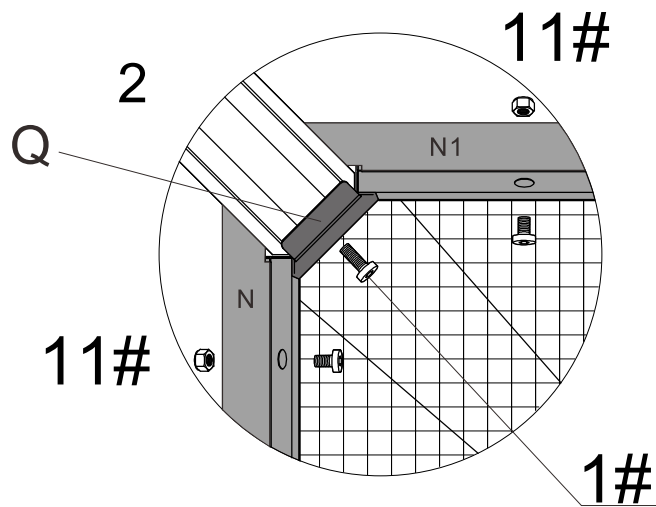




11#
x8



BOTTOM VIEW



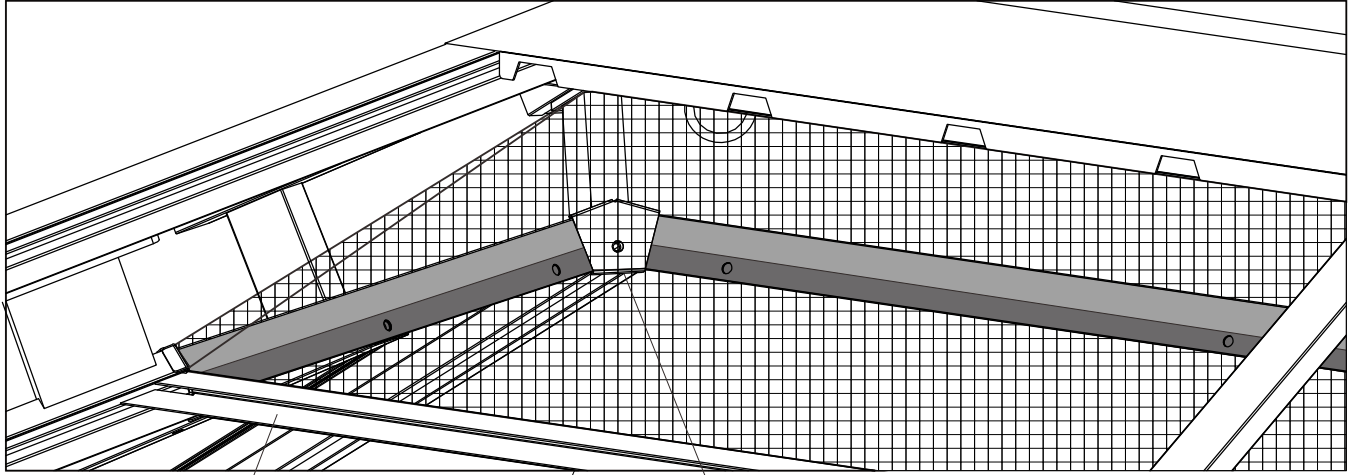
(1) Use bolt #1 to secure the small mesh and finishing end #Q to the corner roof tube.

(2) Use 2 bolts and nuts #11 to secure the small mesh, plastic bar to finishing bar.

Repeat above procedures to assemble the other 3 sides.

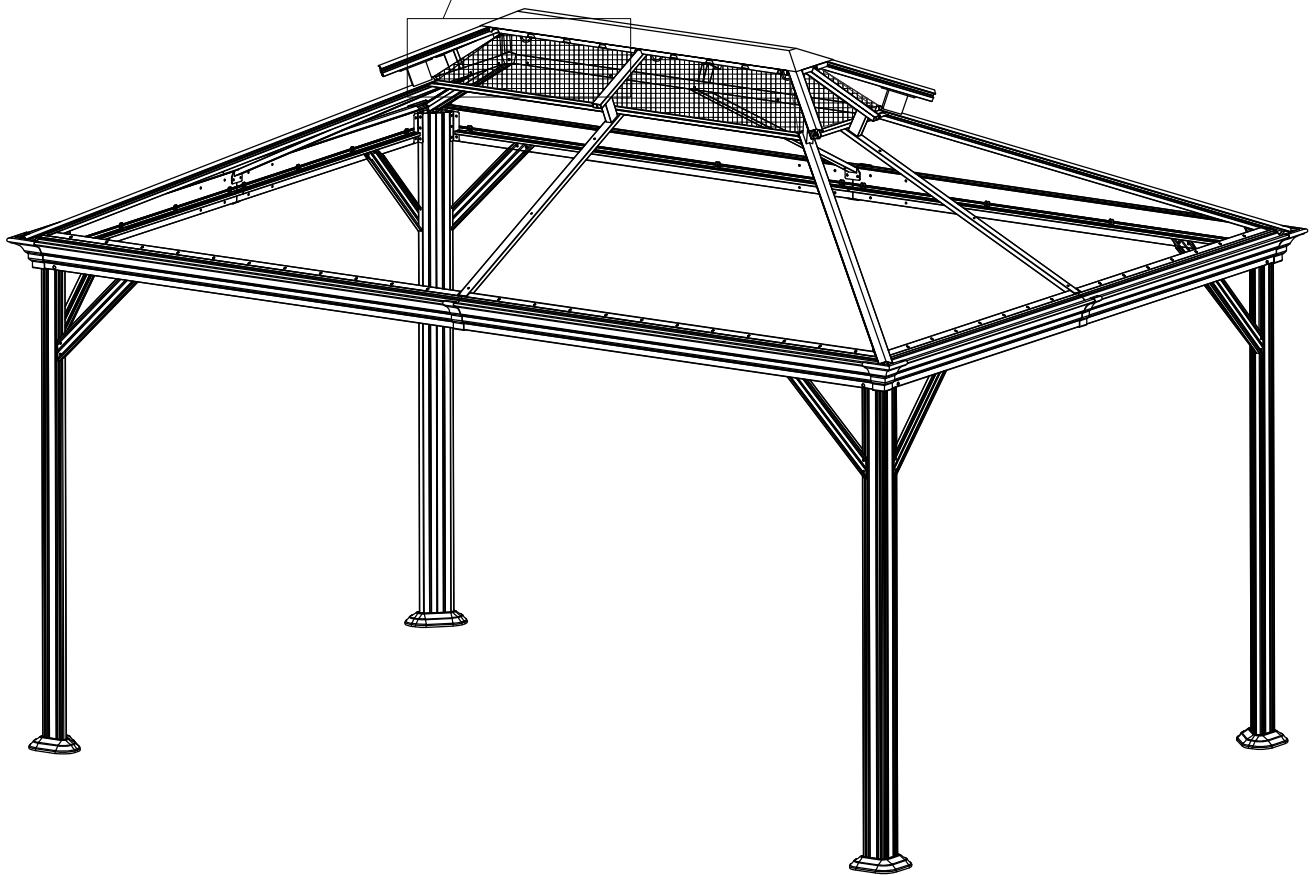
■ Plastic Bar in the mesh

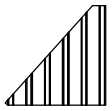
■ #N/N1



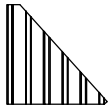
N1

Q





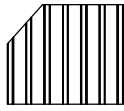
V1 (x2)



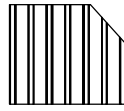
V2 (x2)



V3 (x2)



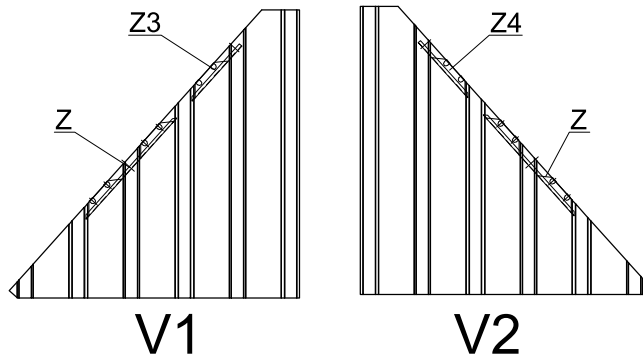
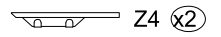
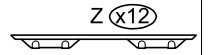
V4 (x2)



V5 (x2)

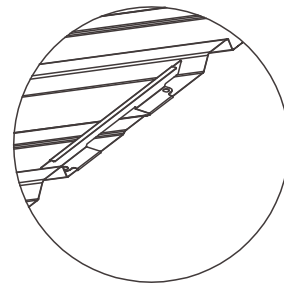
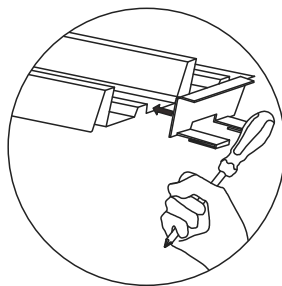
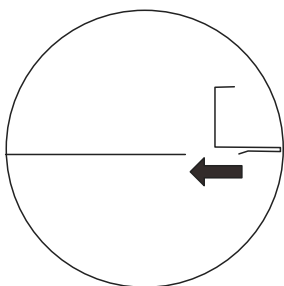
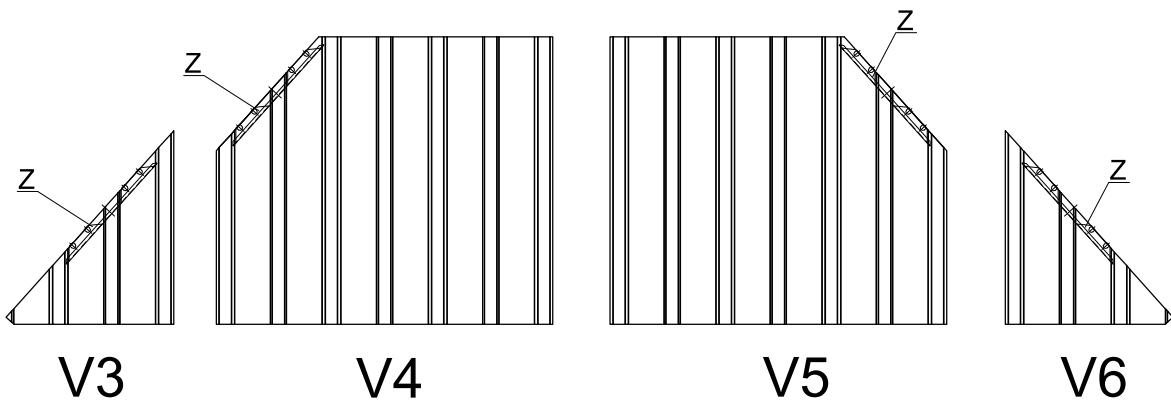


V6 (x2)

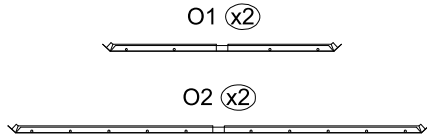
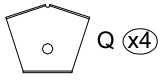


Remove the protective film of the panels before installing the roofing panels.

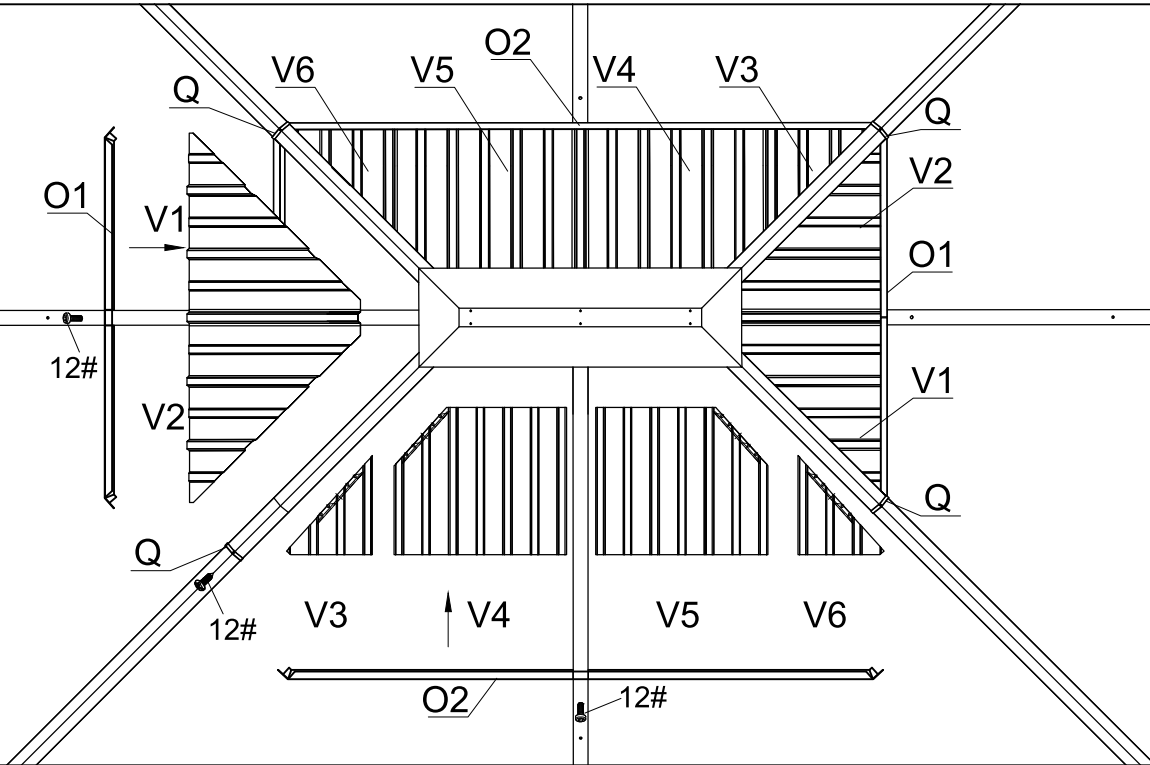
Please install Clips in strict accordance with the instructions.



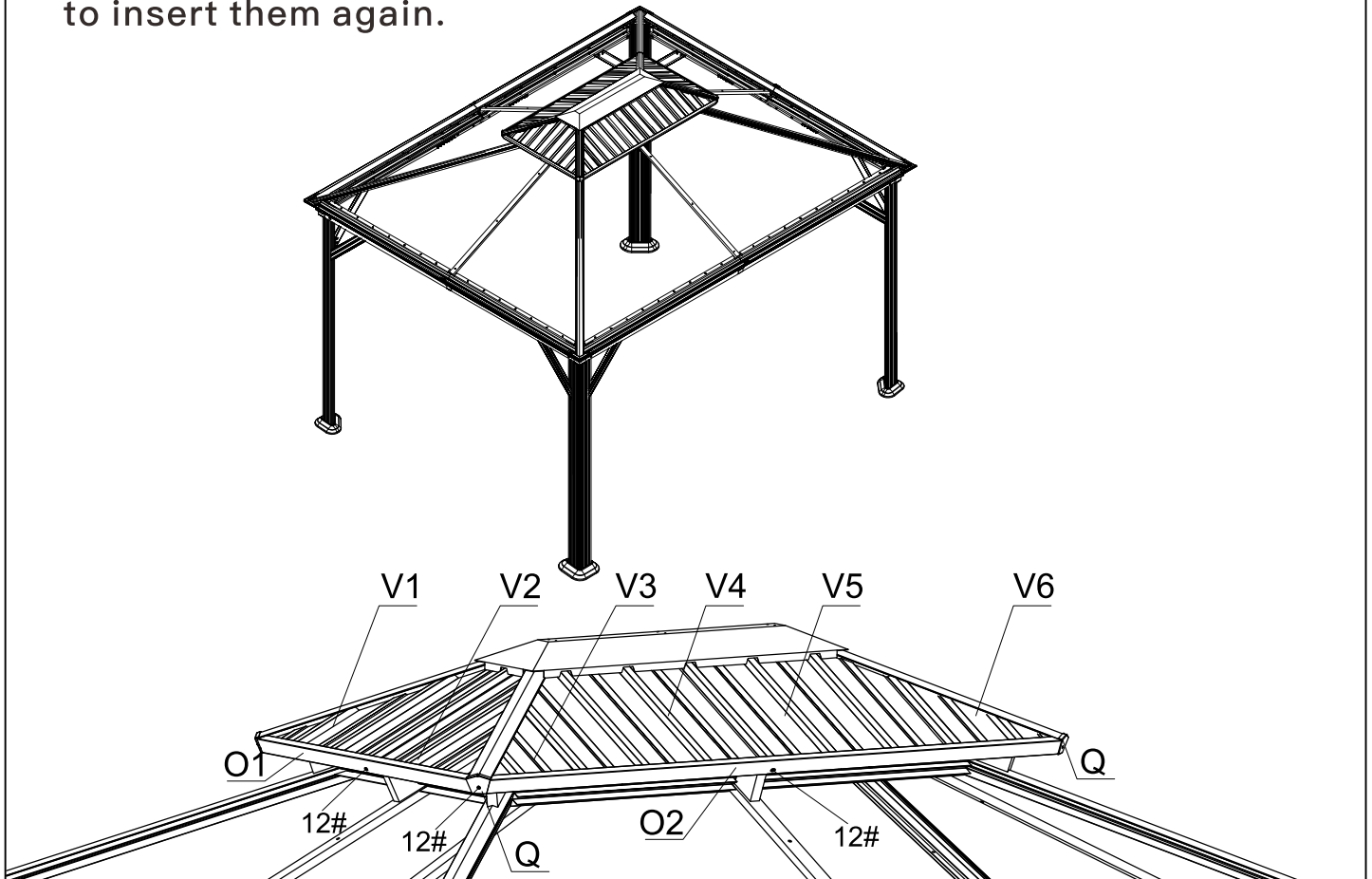
Attach Part #Z,#Z3,#Z4 by lightly tapping with screwdriver.

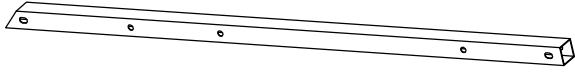


SMALL ROOF PANEL AND FINISHING BAR ASSEMBLY:



If you can't install #V4&V5, push the Outside Roof Cover up and try to insert them again.





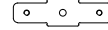
U1 (x4)



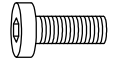
U2 (x4)



U3 (x4)

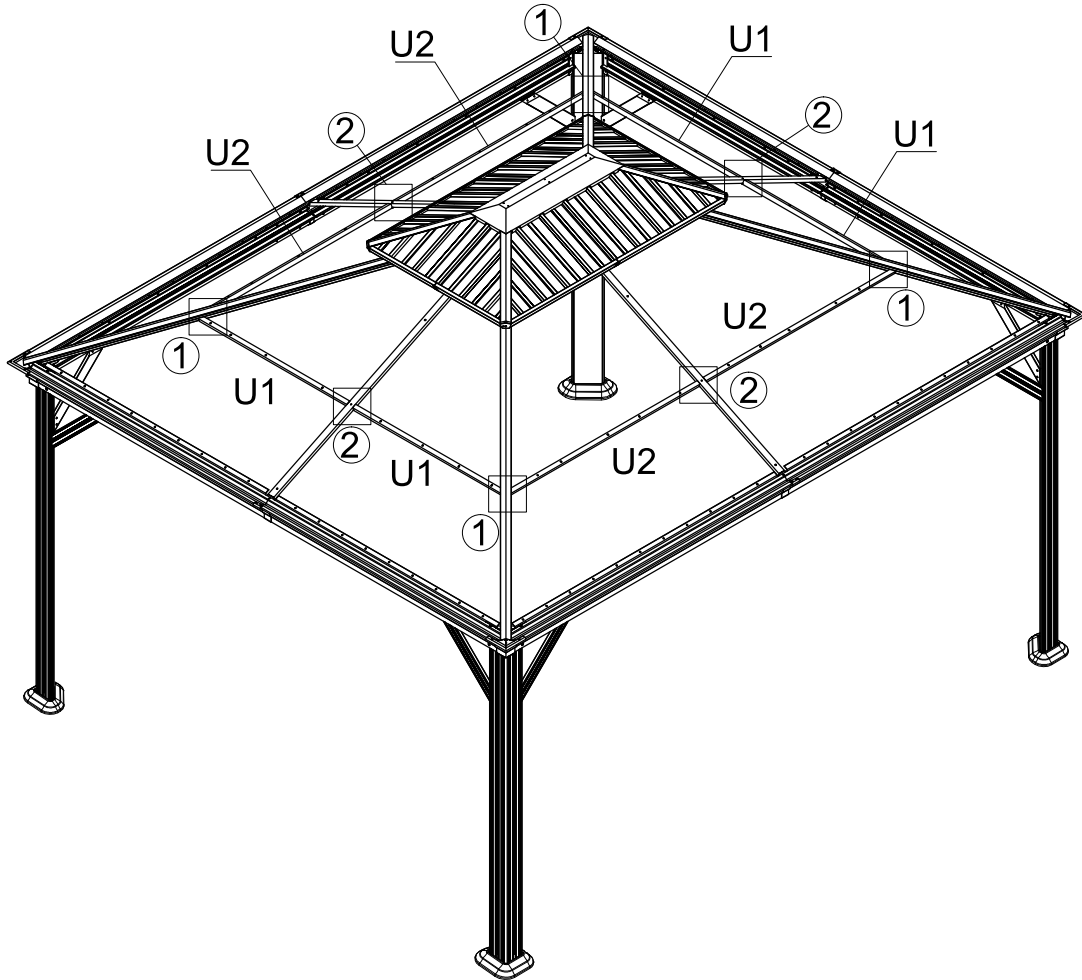


U4 (x4)

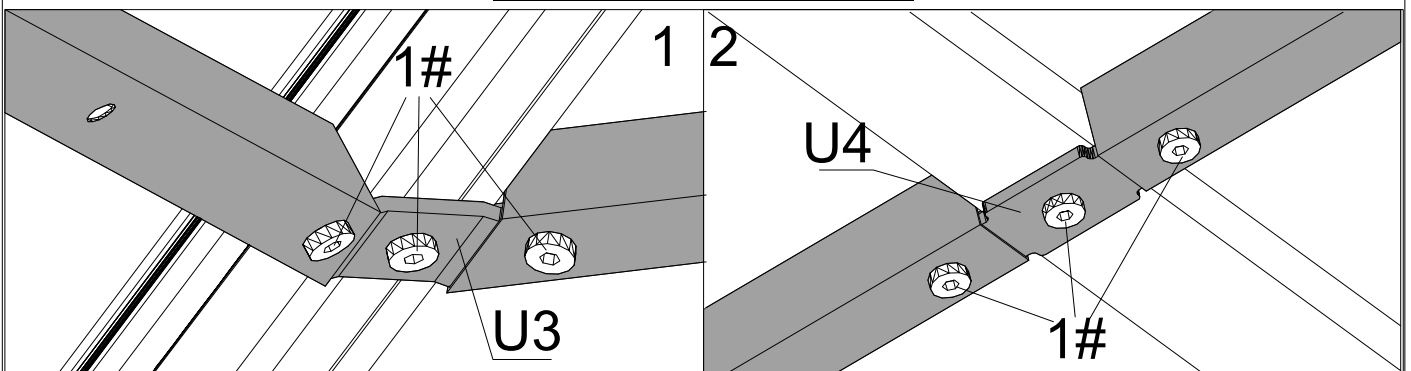


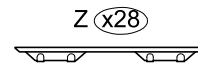
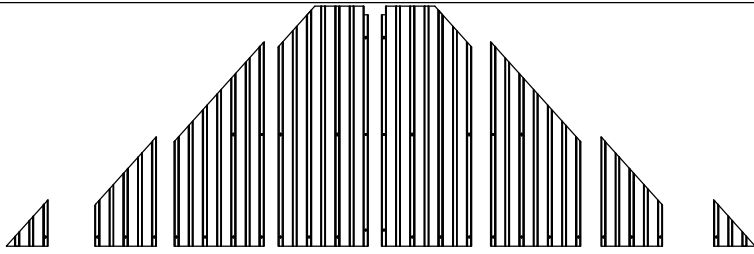
1#
x24

SOLIDIFYING BAR ASSEMBLY:

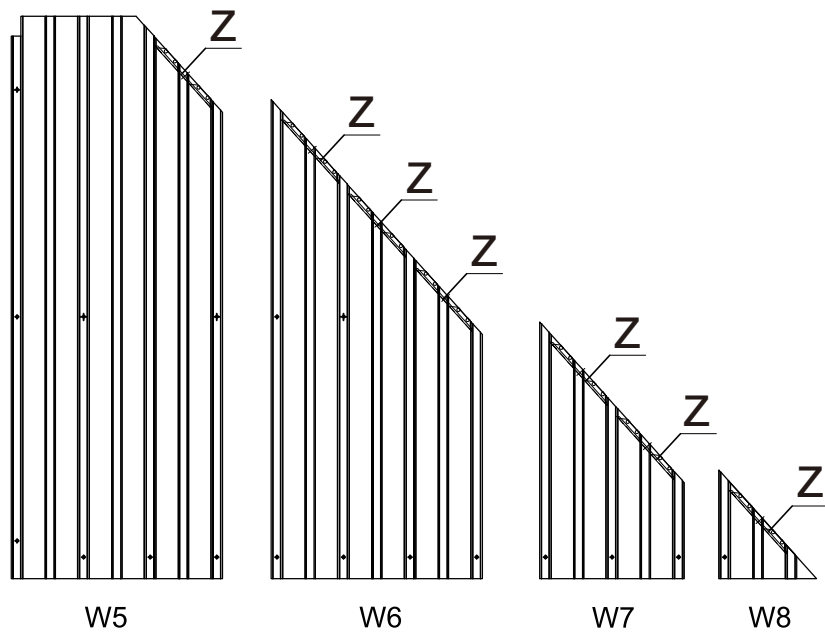
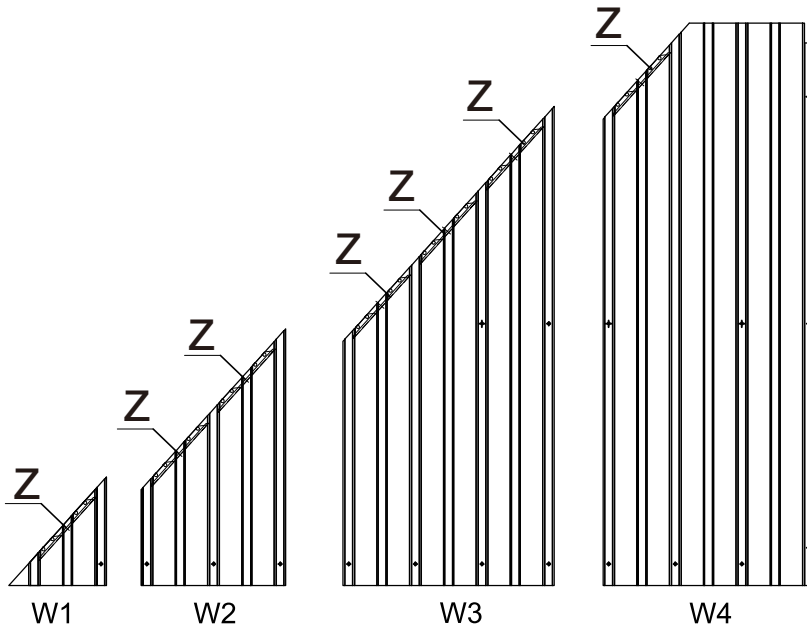


Inside View

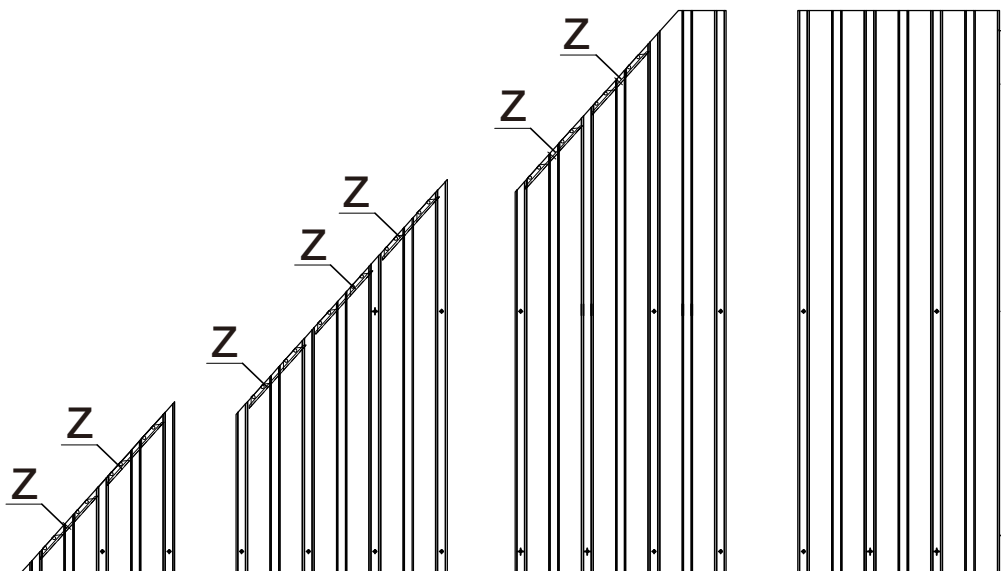
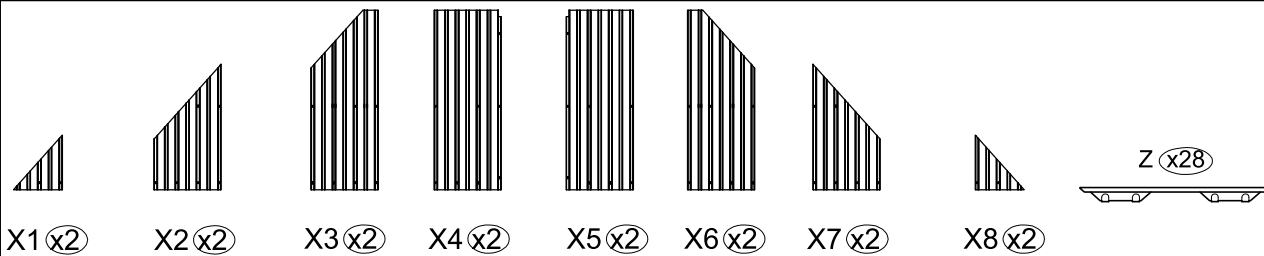




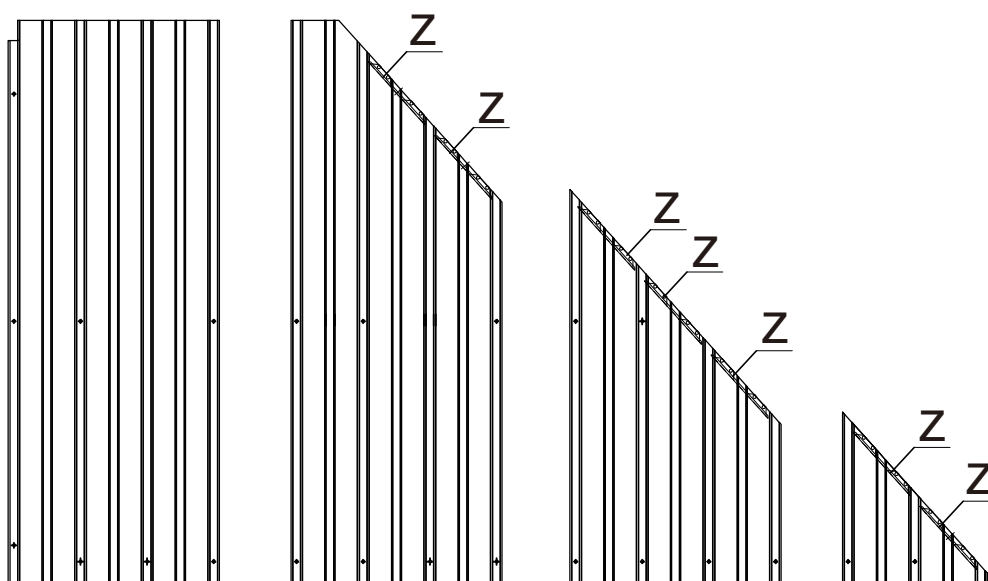
W1 (x2) W2 (x2) W3 (x2) W4 (x2) W5 (x2) W6 (x2) W7 (x2) W8 (x2)



**Remove the protective film of the panels before installing the roof panels.
Please install Plastic Clips in strict accordance with the instructions.**

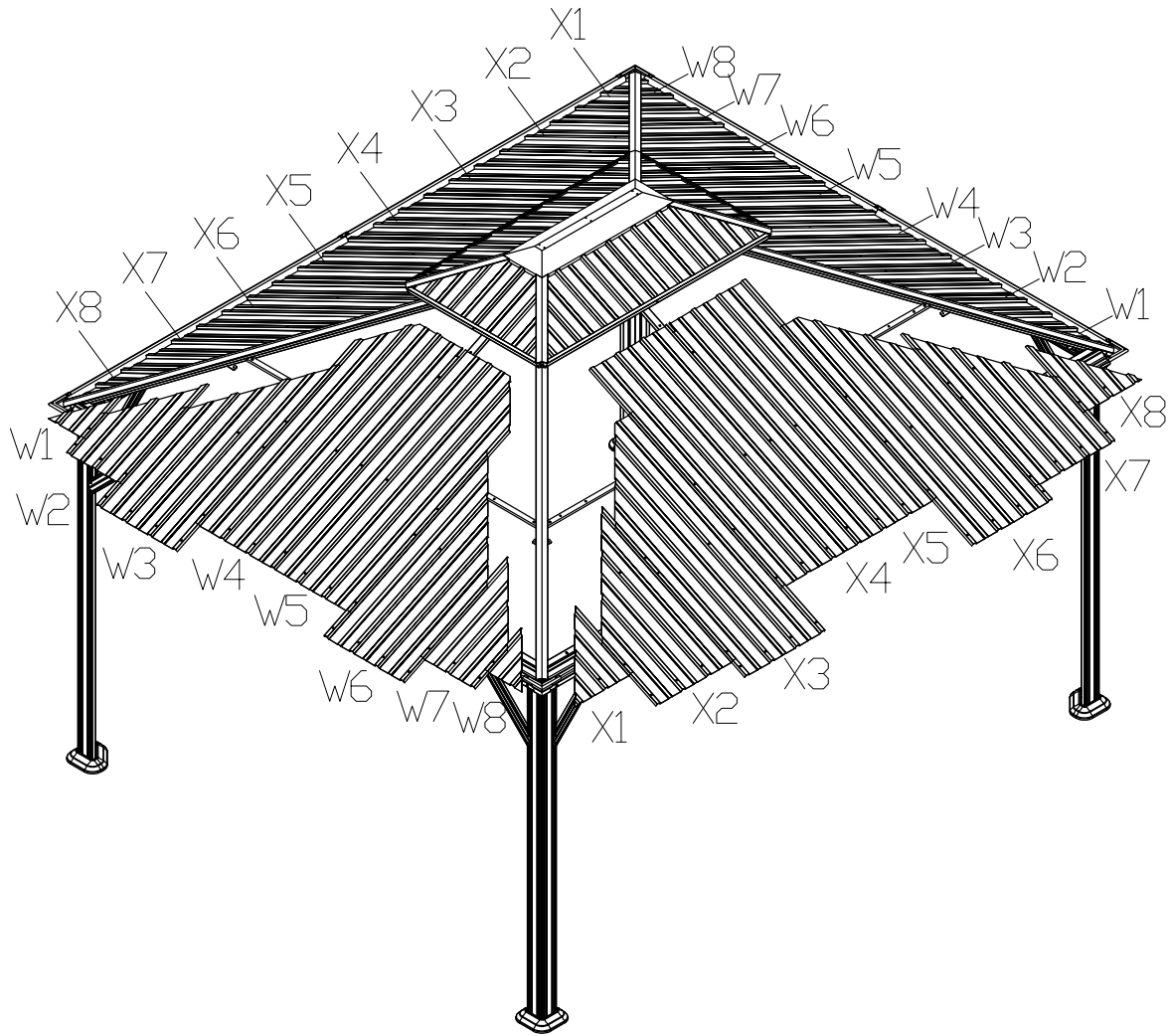


Remove the protective film of the panels before installing the roof panels.
Please install Plastic Clips in strict accordance with the instructions.

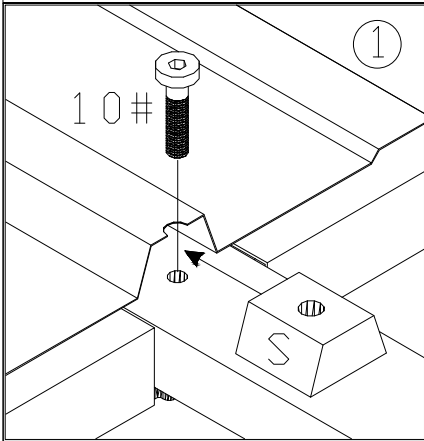
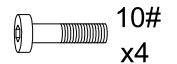
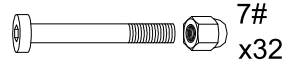
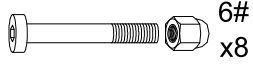
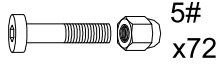
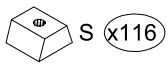


Install the Middle Panels(#W4,W5,X4,X5) first, then the small panels on the edge.

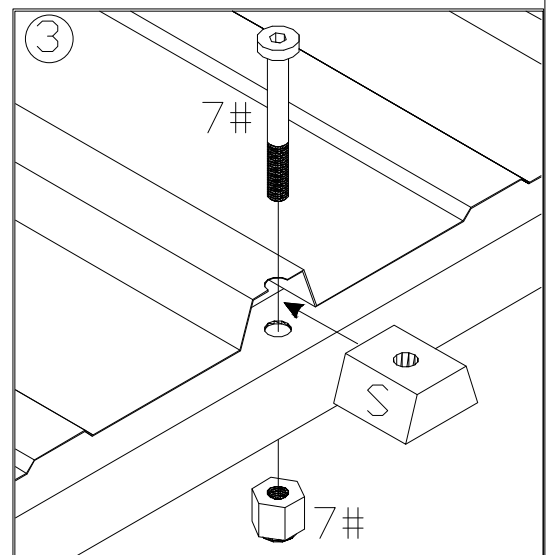
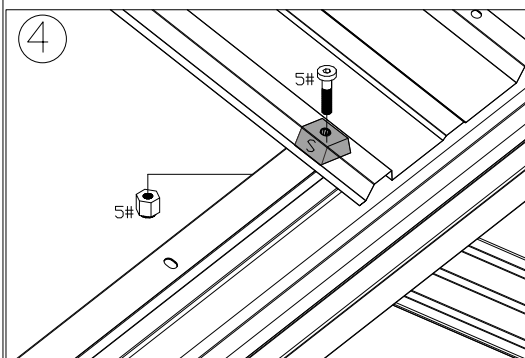
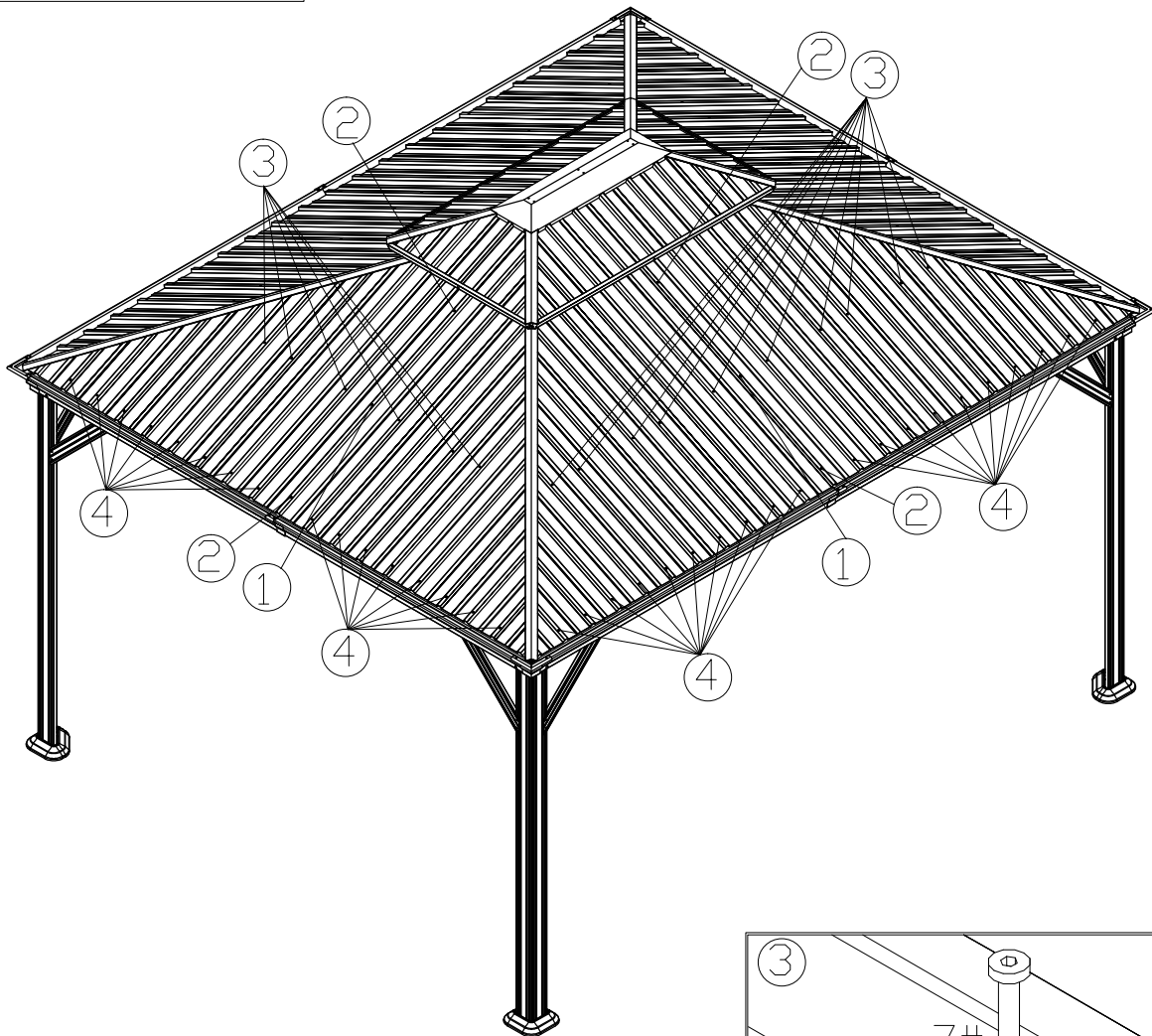
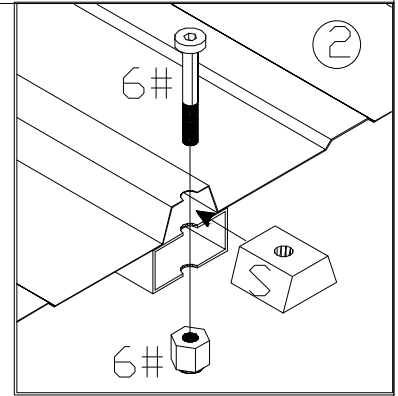
Remove the protective film of the panels before installing the roof panels.



The Rubber Spacer #S should be assembled when installing the roof panels(please see the next page).

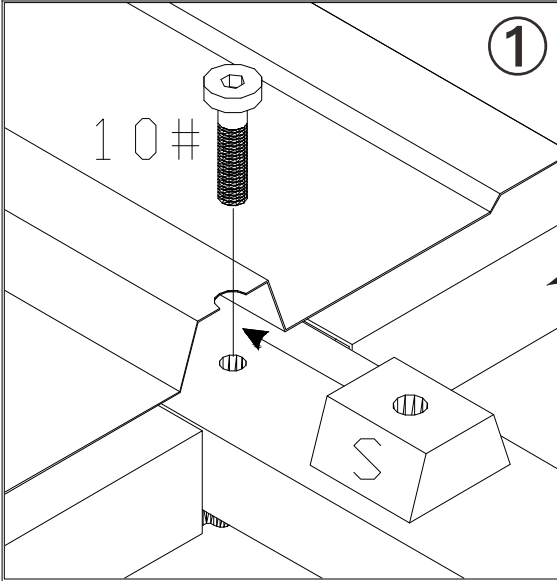


The Rubber Spacer #S should be assembled when installing the roof panels.



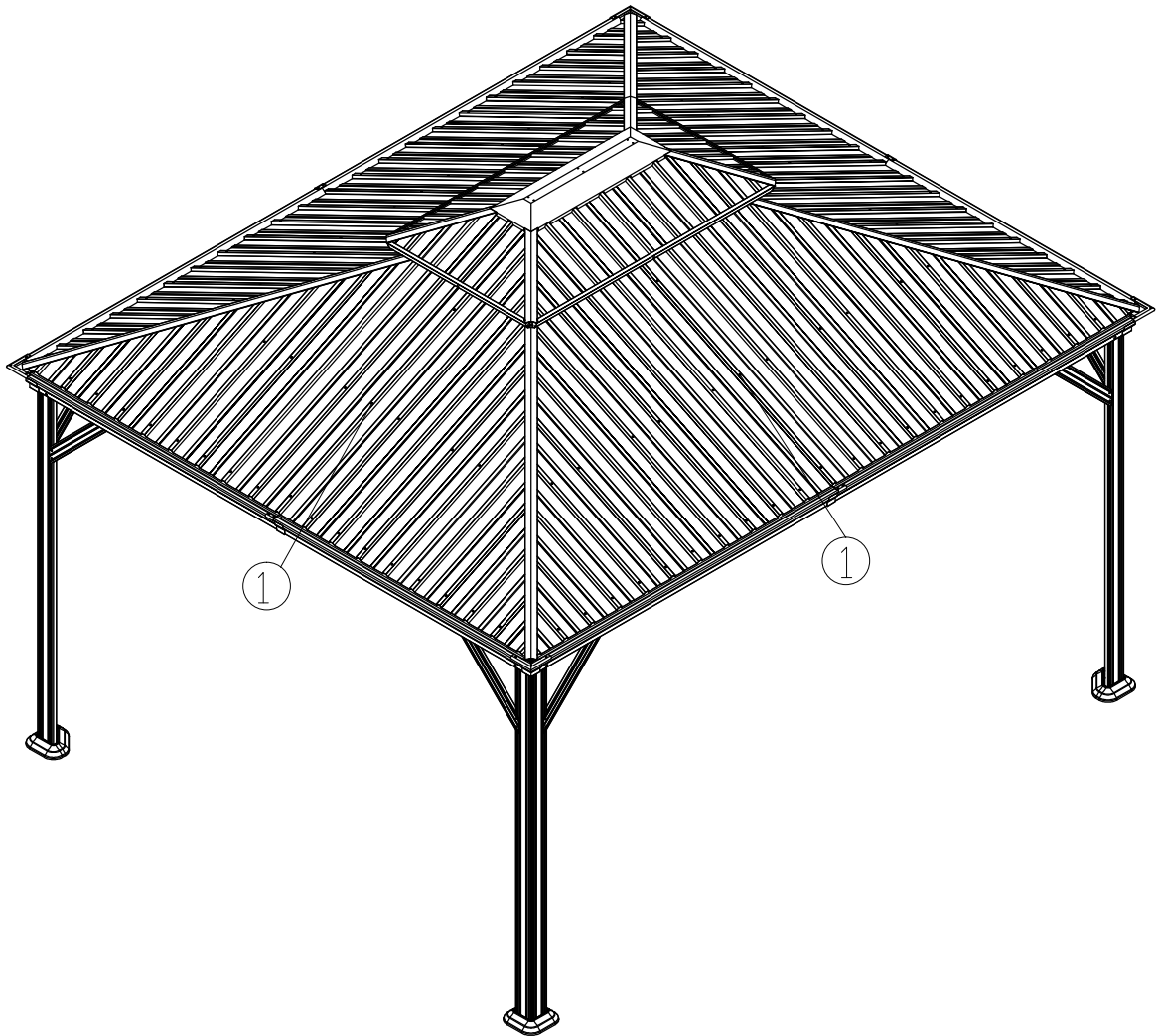
S x4

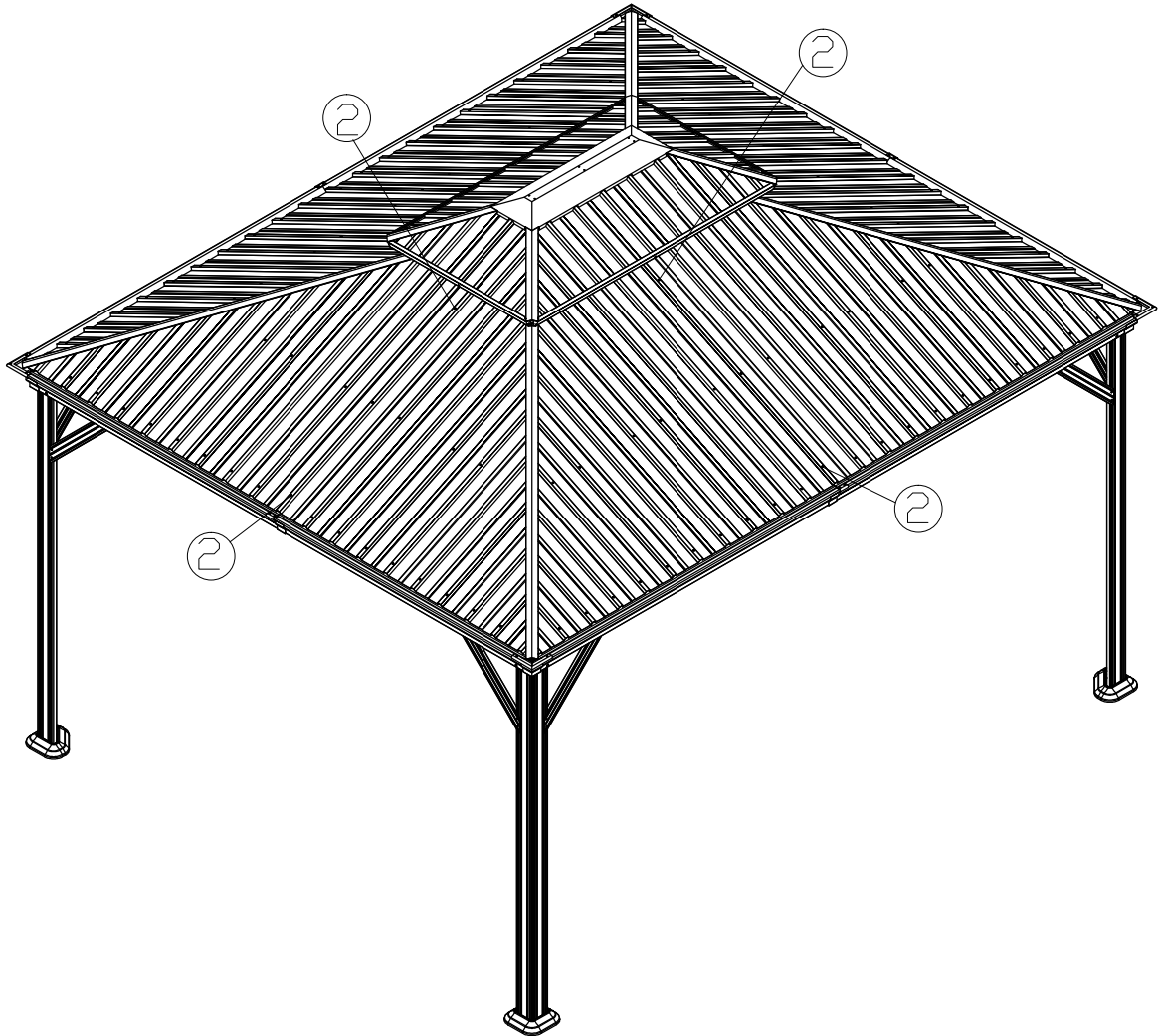
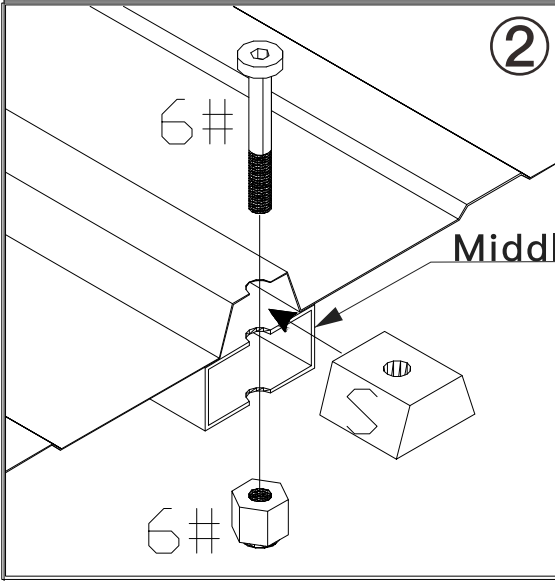
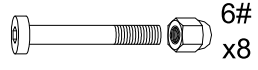
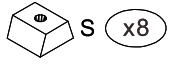
10#
x4

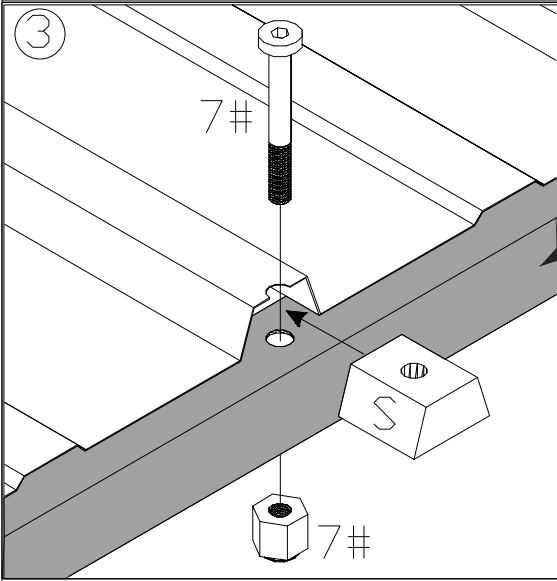
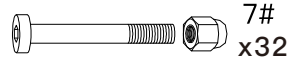
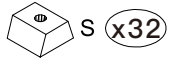


Solidifying Bar

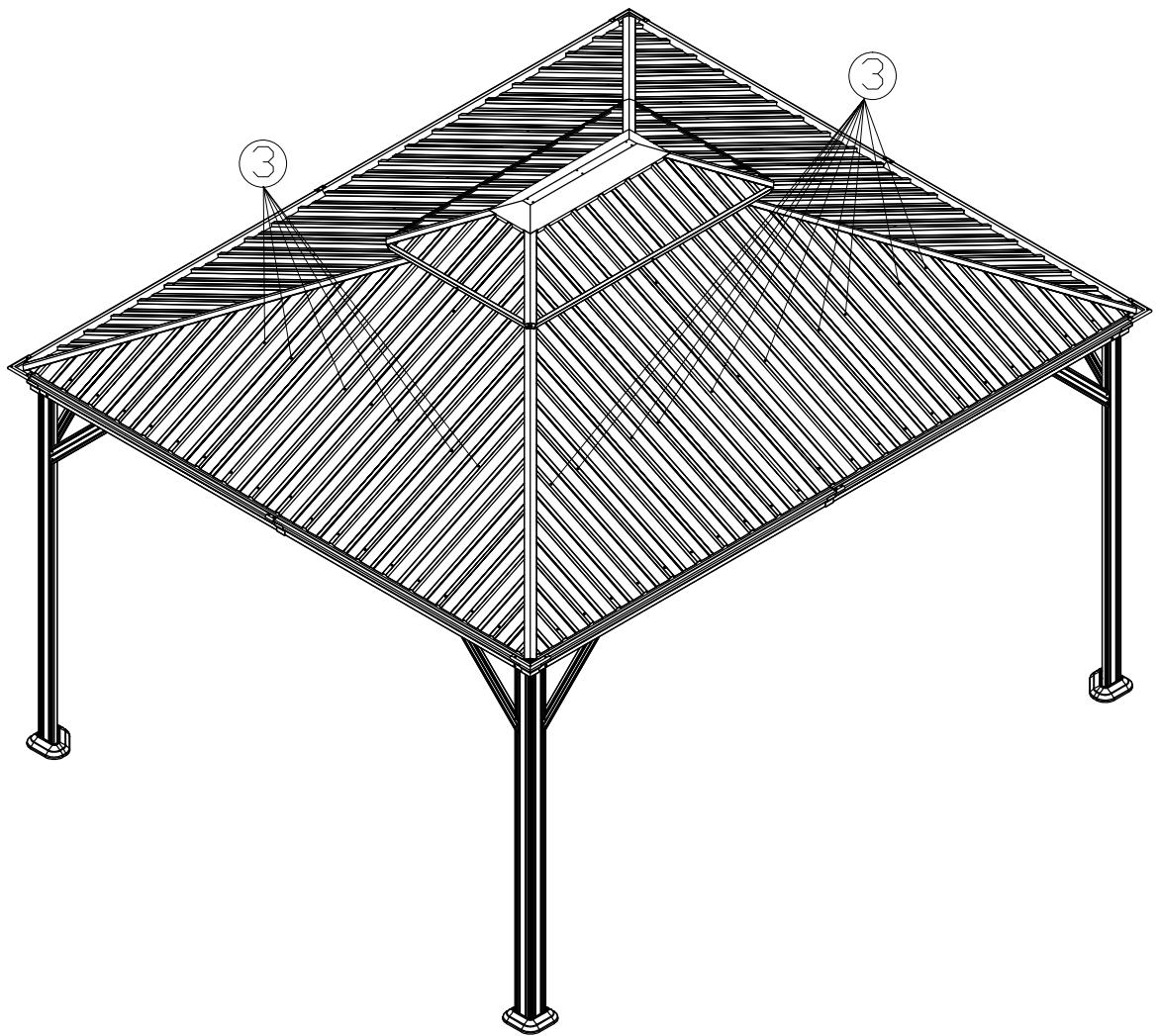
Middle Roof Tube

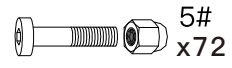
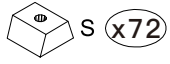




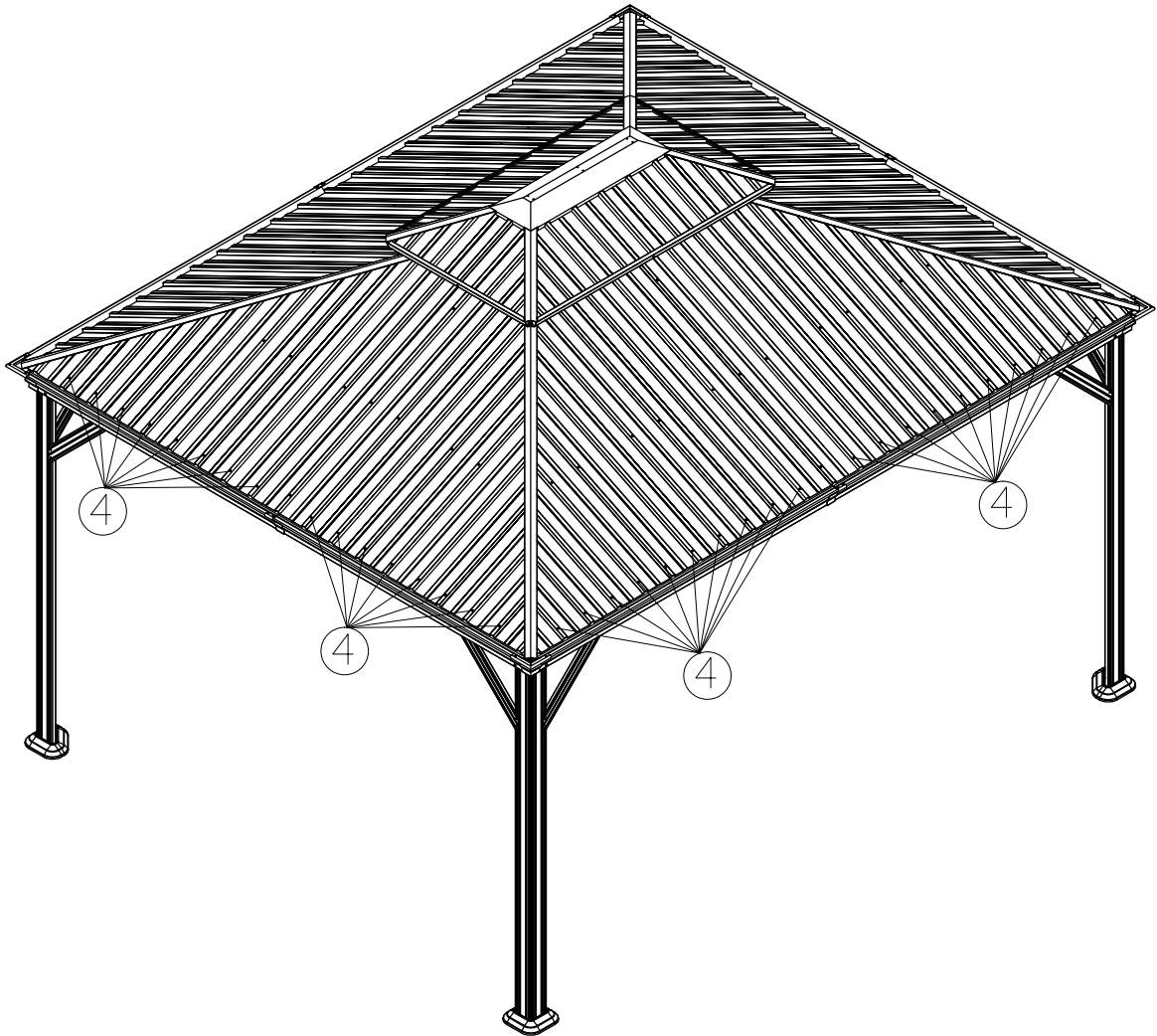
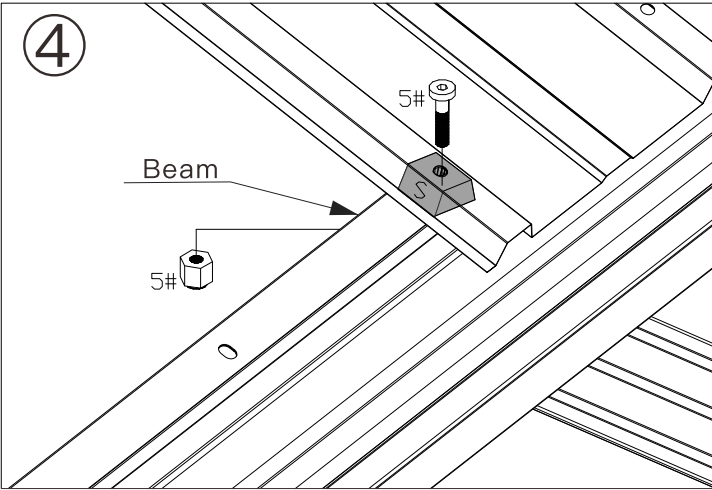


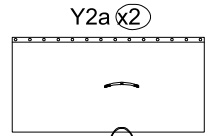
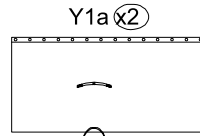
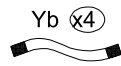
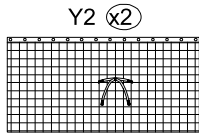
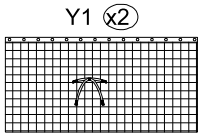
Solidifying Bar



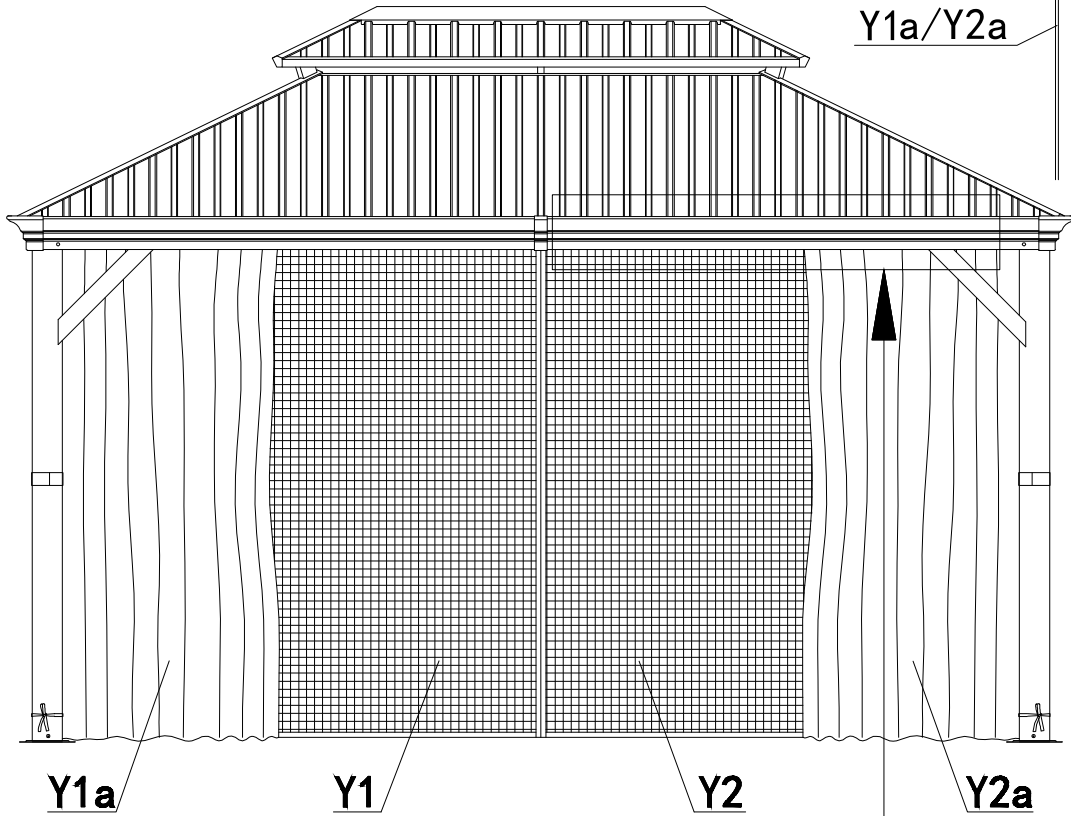


④





MOSQUITO NETTING AND CURTAINS ASSEMBLY:

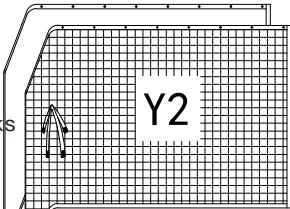


8 Hooks
*2 Tracks
Y2a

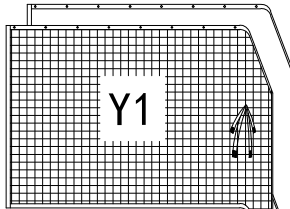
8 Hooks
*2 Tracks
Y1a

4#

6 Hooks
*2 Tracks

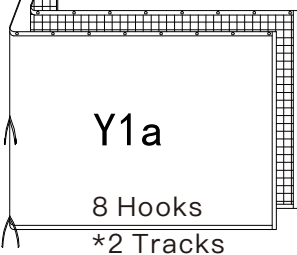


6 Hooks
*2 Tracks



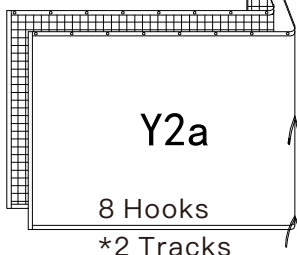
6 Hooks
*2 Tracks

Y1



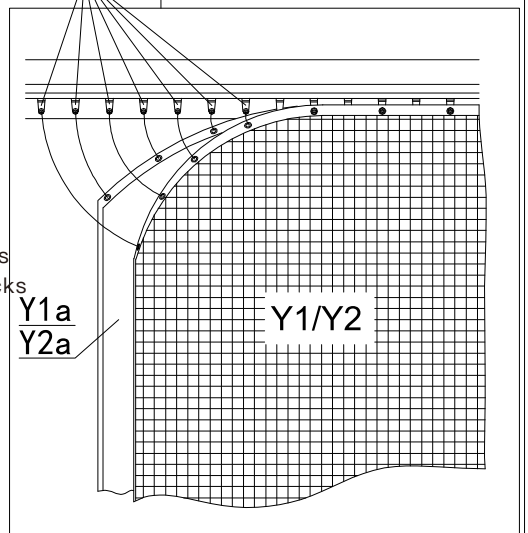
8 Hooks
*2 Tracks

Y2

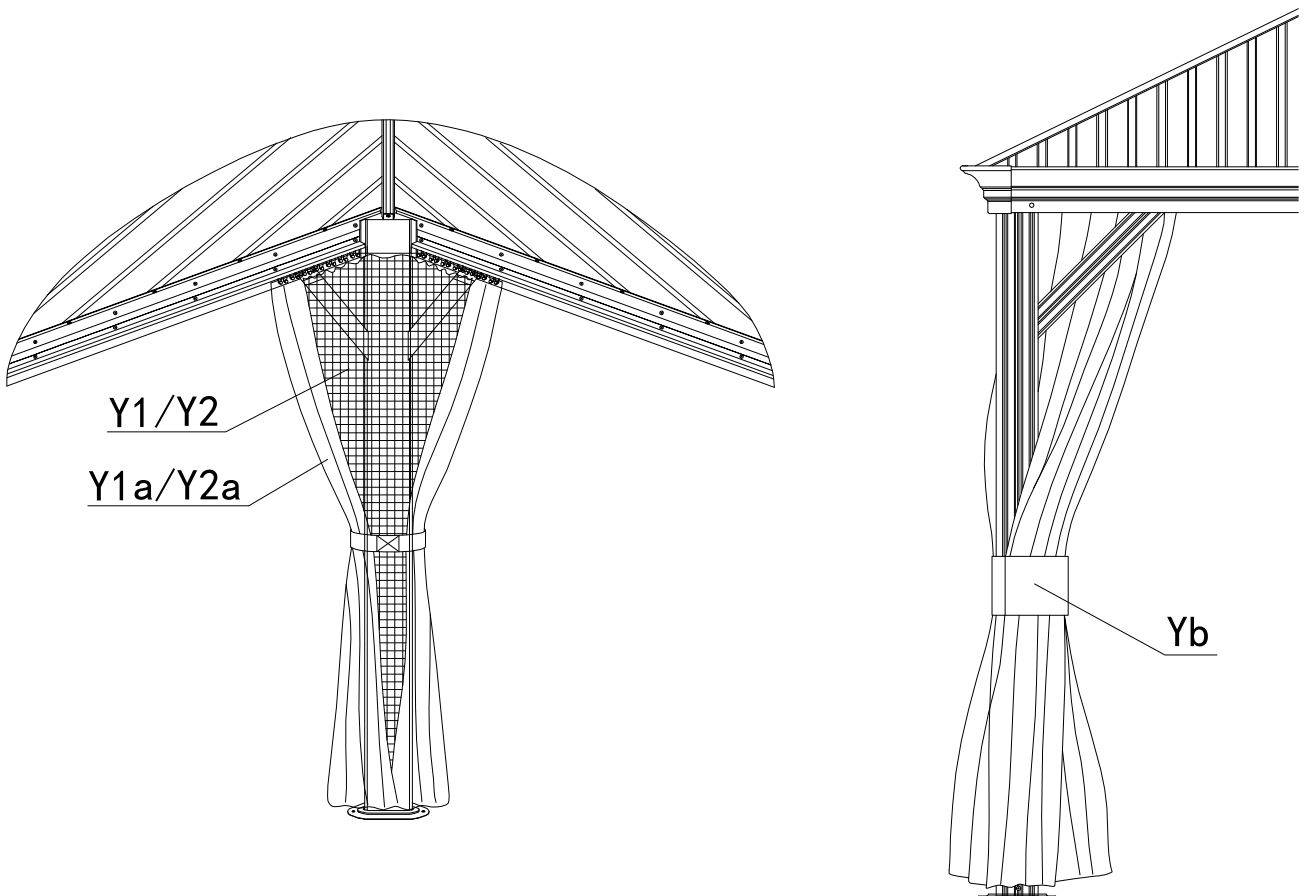
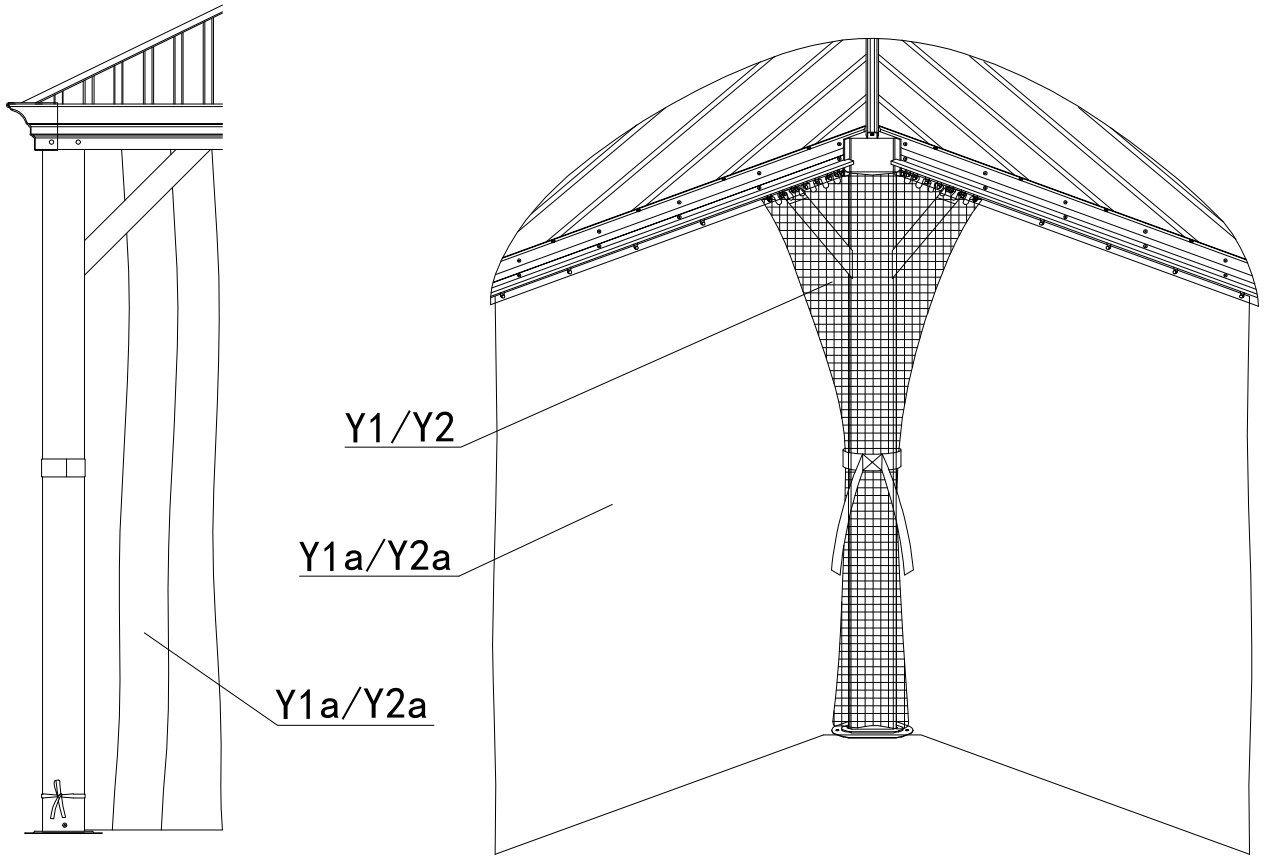


8 Hooks
*2 Tracks

6 Hooks
*2 Tracks



Please open your gazebo curtain when it is incoming over 30 mph wind, and tie with Strap #Yb.





Thanks for your purchase.

At domi outdoor living, we believe in our products.

That's why we provide a 12-month warranty and friendly, easy-to-reach after-sales service. So, if you have any questions about our product or assembly, please feel free to contact us. We are here for you.

Support:  

After-sales contact email:

service@domioutdoorliving.com

Business cooperation contact email:

marketing@domioutdoorliving.com

Please have your order ID available if you reach out for support.

If you have damaged parts or product, please send us photos for an immediate response.