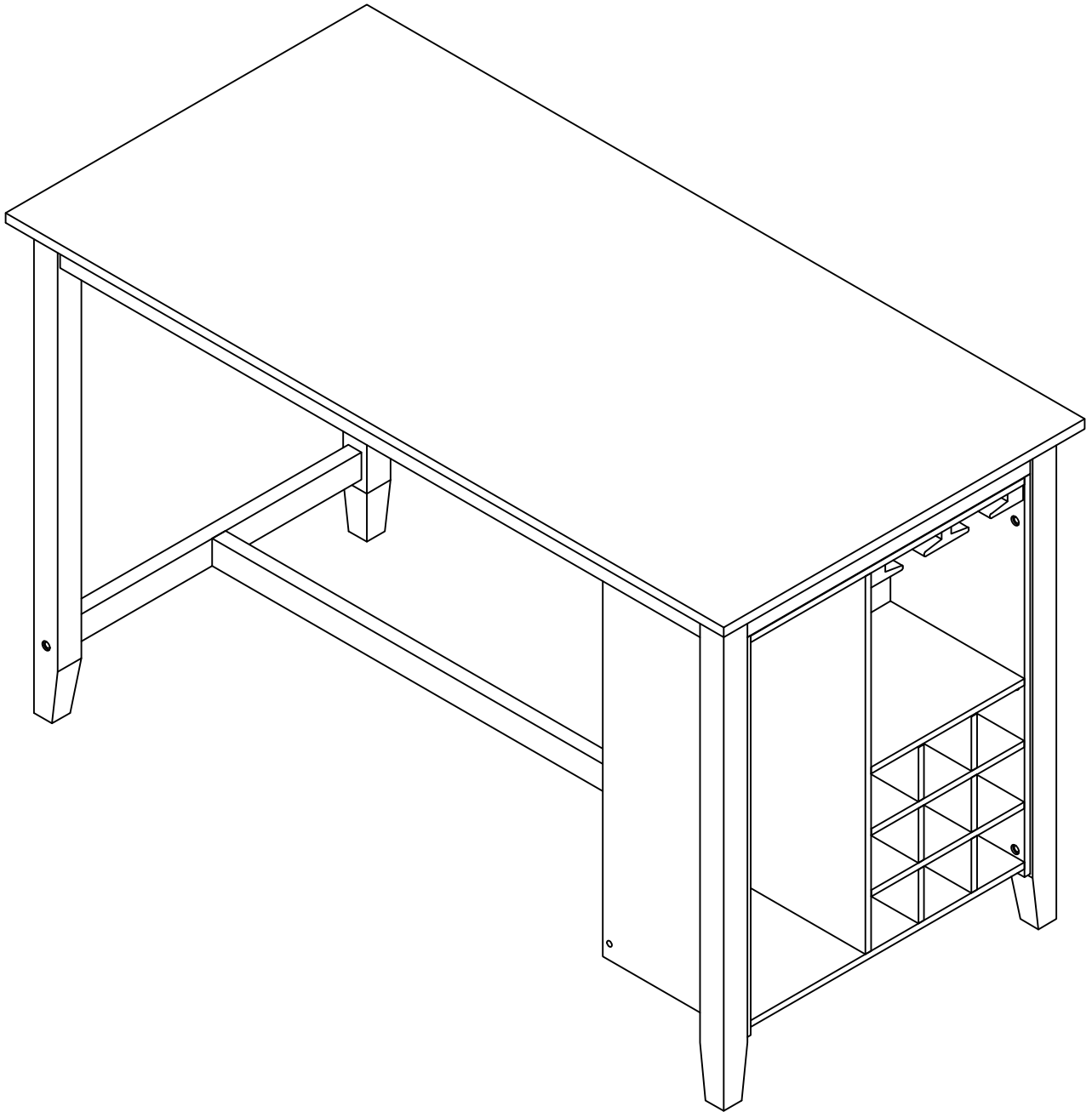


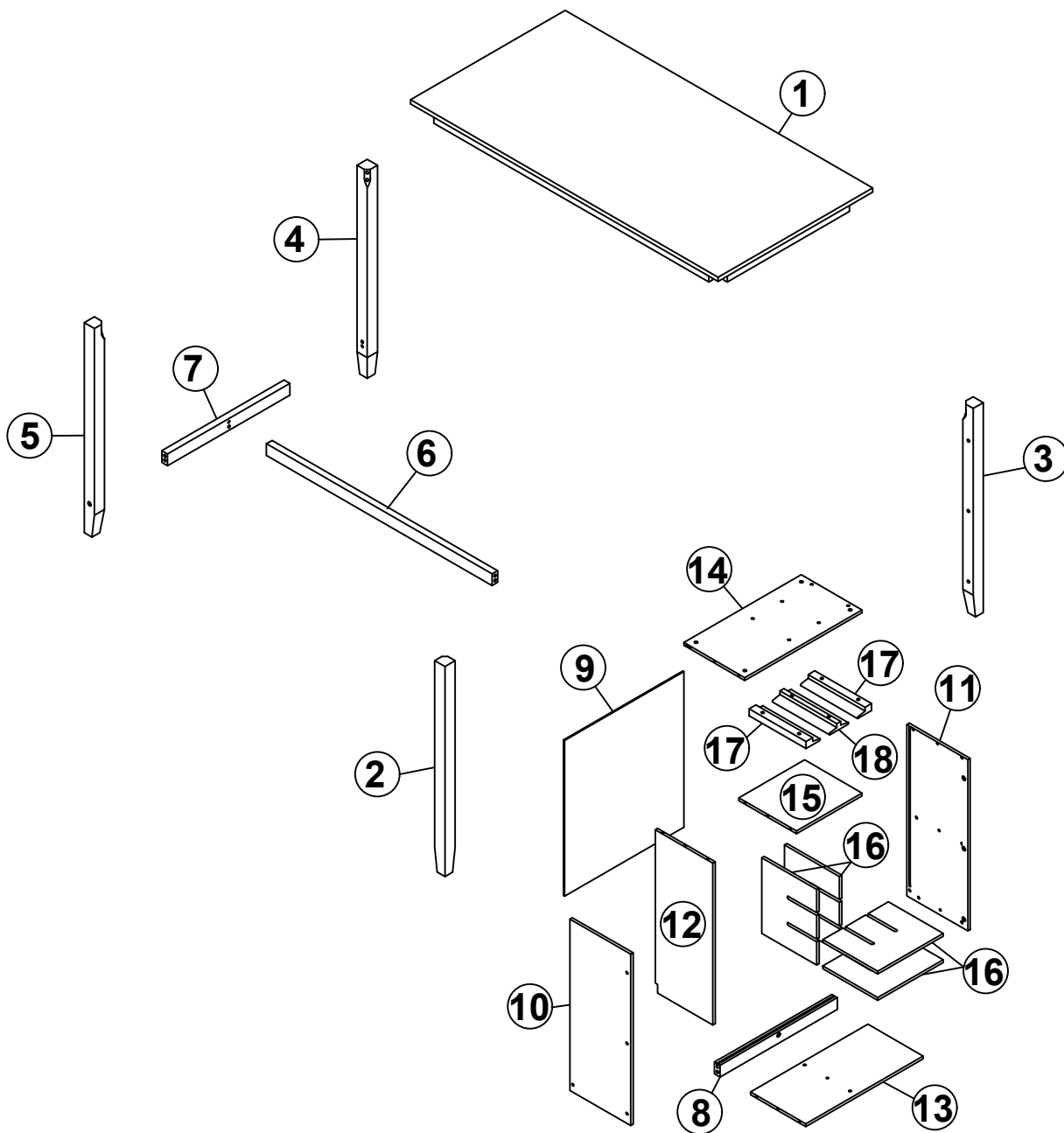
ASSEMBLY INSTRUCTIONS

DINING TABLE



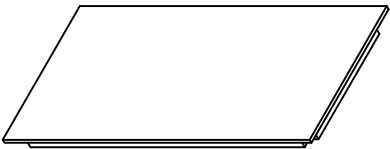

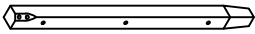

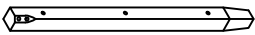
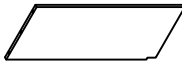
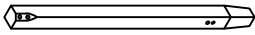
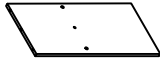
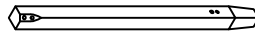

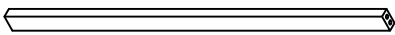

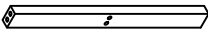


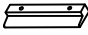
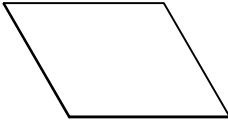
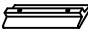
IMPORTANT NOTE :

- 1 PLACE ALL PARTS ON A CLEAN AND SMOOTH SURFACE SUCH AS A RUG OR CARPET TO AVOID THE PARTS FROM BEING SCRATCHED.**
- 2 BEFORE YOU BEGIN , KINDLY FOLLOW THE ASSEMBLY INSTRUCTIONS STEP BY STEP.**
- 3 DO NOT TIGHTEN ALL SCREWS AND BOLTS UNTIL THE TABLE IS FULLY SET-UP**













ASSEMBLY INSTRUCTIONS

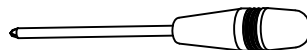
PART LIST

①		⑩	
	TOP TABLE (1pc)		SIDE PANEL (1pc)
②		⑪	
	LEG TABLE (1pc)		SIDE PANEL (1pc)
③		⑫	
	LEG TABLE (1pc)		SIDE PANEL (1pc)
④		⑬	
	LEG TABLE (1pc)		SHELF PANEL (1pc)
⑤		⑭	
	LEG TABLE (1pc)		SHELF PANEL (1pc)
⑥		⑮	
	STRETCHER (1pc)		SHELF PANEL (1pc)
⑦		⑯	
	STRETCHER (1pc)		SHELF PANEL (4pcs)
⑧		⑰	
	STRETCHER (1pc)		WINE GLASS HANGER (2pcs)
⑨		⑱	
	FRAME BOARD (1pc)		WINE GLASS HANGER (1pc)

ASSEMBLY INSTRUCTIONS

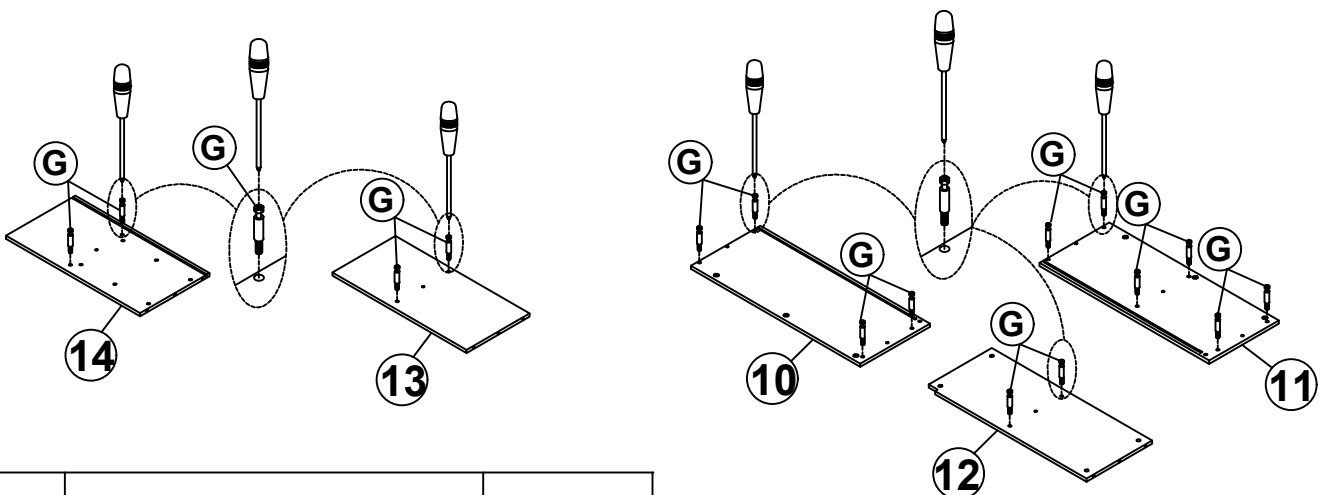
HARDWARE LIST

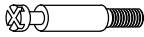
<p>A  $\varnothing 5/16"$ x 70mm BOLT (10pcs)</p>	<p>F  $\varnothing 8"$ x 30mm WOODEN PEGS (14pcs)</p>
<p>B  $\varnothing 5/16"$ x 50mm BOLT (2pcs)</p>	<p>G  $\varnothing 6.5"$ x 35mm PEGS CAMLOCK(16pcs)</p>
<p>C  $\varnothing 5/16"$ x 35mm BOLT (8pcs)</p>	<p>H  $\varnothing 12"$ x 10mm BOLT CAMLOCK (16pcs)</p>
<p>D  $\varnothing 5/16"$ x 13mm SPRING WASHER (8pcs)</p>	<p>J  4mm ALLENKEY (1pc)</p>
<p>E  $\varnothing 5/16"$ x 19mm FLAT WASHER (8pcs)</p>	<p>L  $\varnothing 1/4"$ x 35mm BOLT (6pcs)</p>



ASSEMBLY TOOLS REQUIRED (NOT INCLUDED)

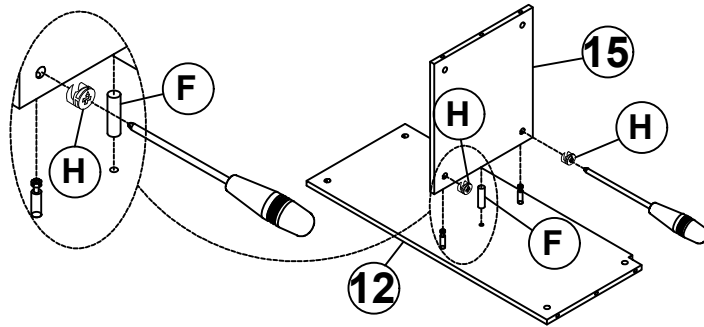
Step 1



G	$\varnothing 6.5 \times 35$		16PCS
----------	-----------------------------	---	-------

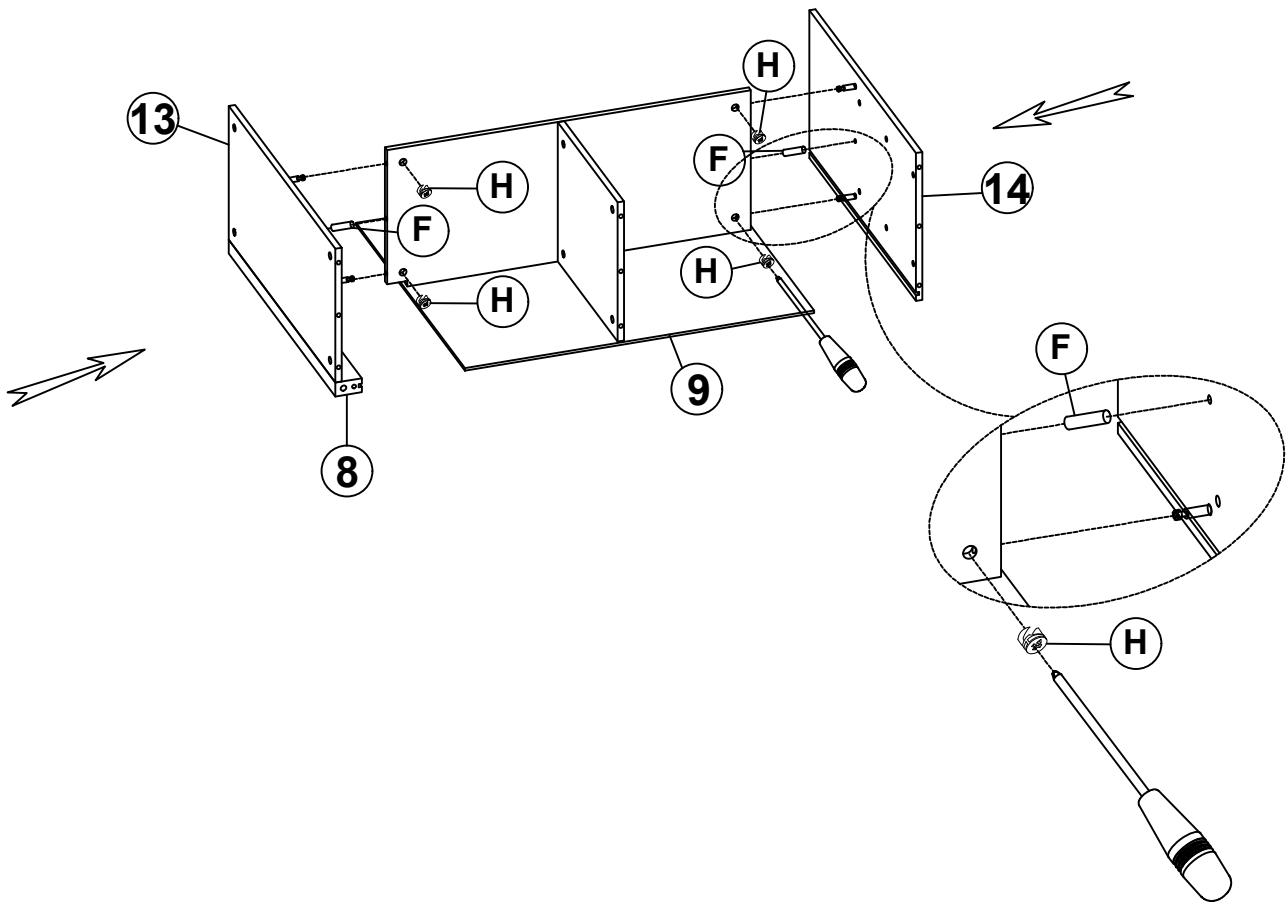
ASSEMBLY INSTRUCTIONS

Step 2



F	Ø8x30		1PC	H	Ø12x10		2PCS
----------	-------	---	-----	----------	--------	---	------

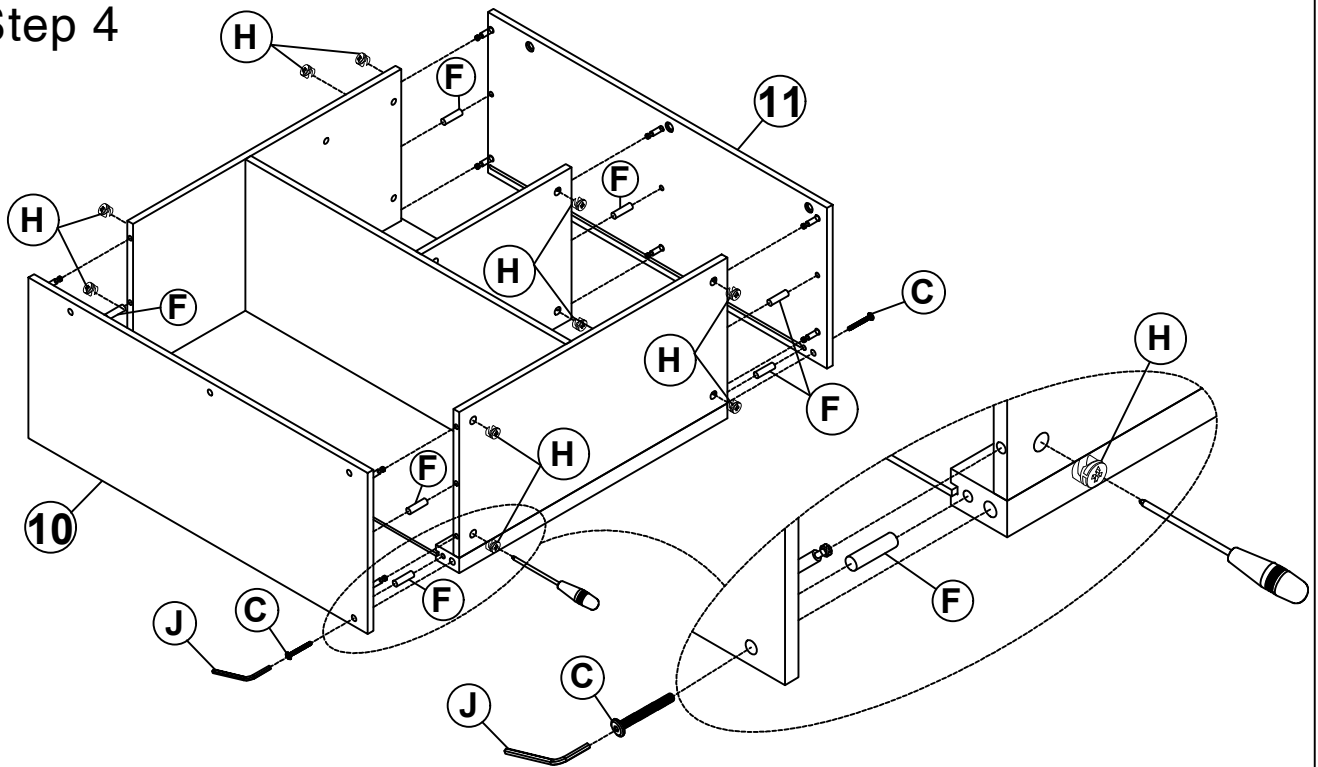
Step 3







F	Ø8x30		2PCS	H	Ø12x10		4PCS
----------	-------	---	------	----------	--------	---	------

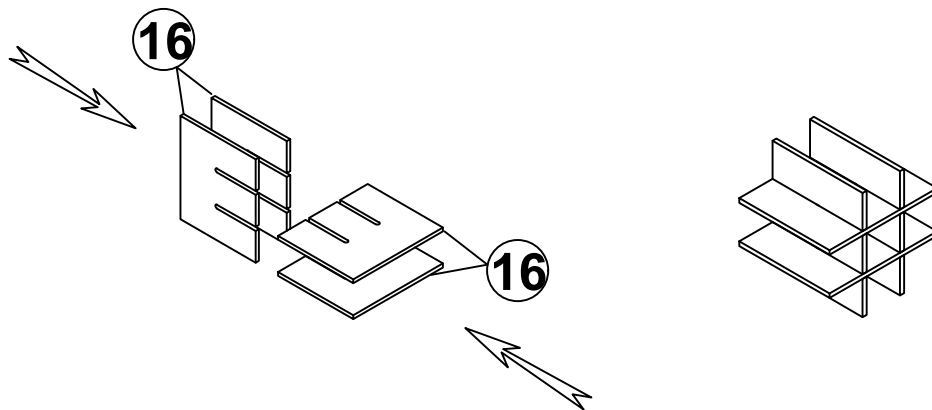
ASSEMBLY INSTRUCTIONS

Step 4

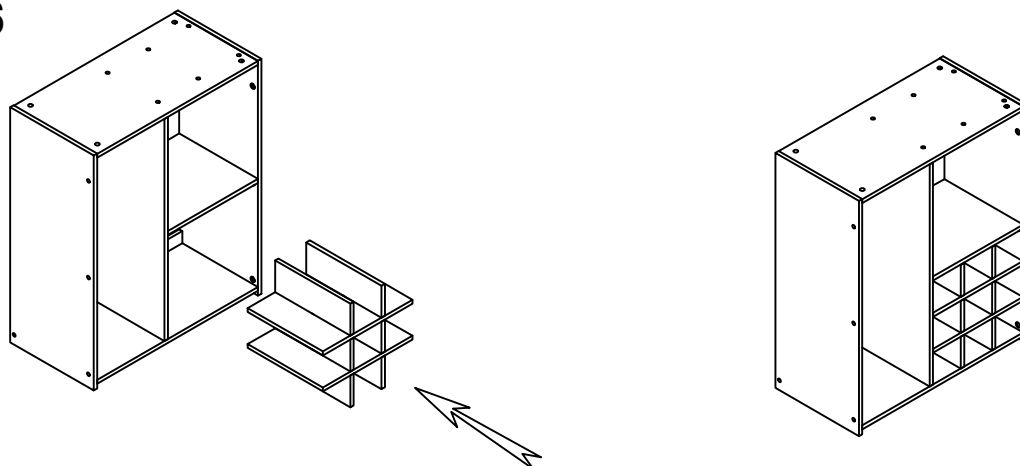


C	5/16x35		2PCS	J	4x58		1PC
F	Ø8x30		7PCS	H	Ø12x10		10PCS

Step 5

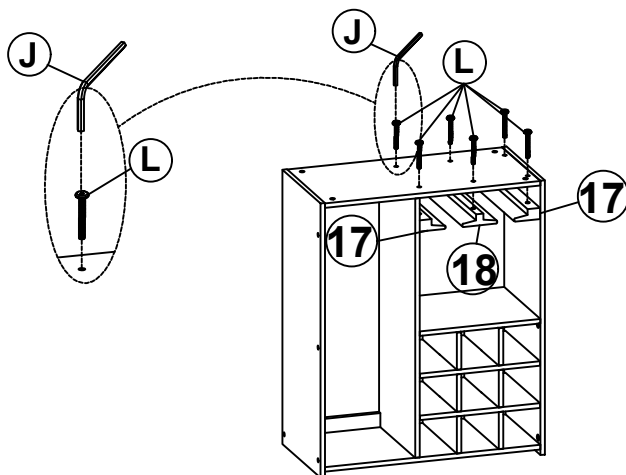


Step 6



ASSEMBLY INSTRUCTIONS

Step 7



L

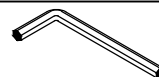
1/4x35



6PCS

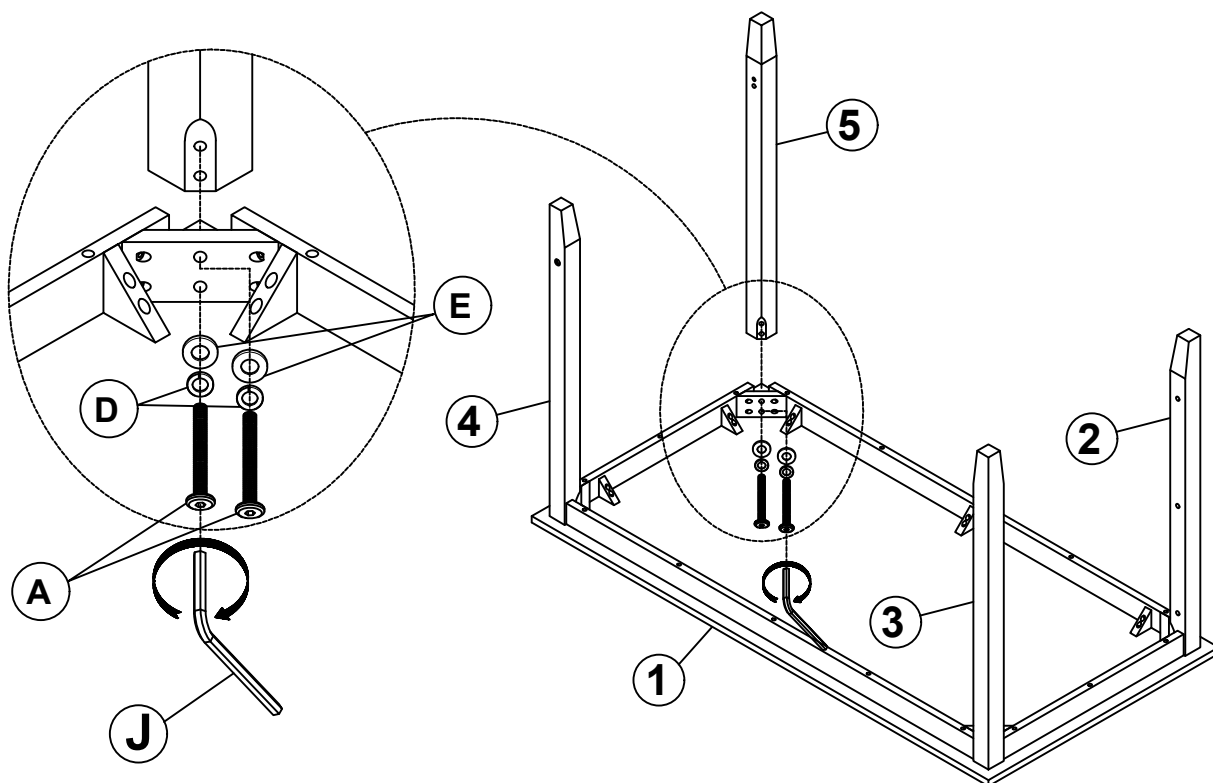
J

4x58



1PC

Step 8



D

5/16x13



8PCS

A

5/16x70



8PCS

E

5/16x19



8PCS

J

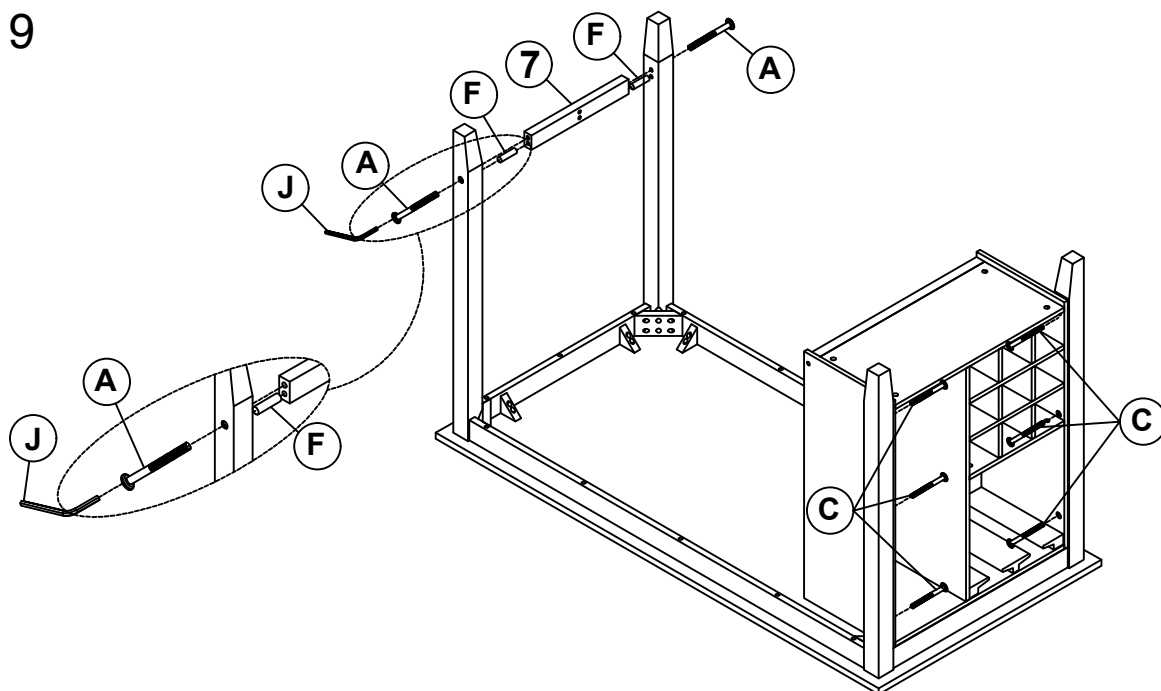
4x58







1PC

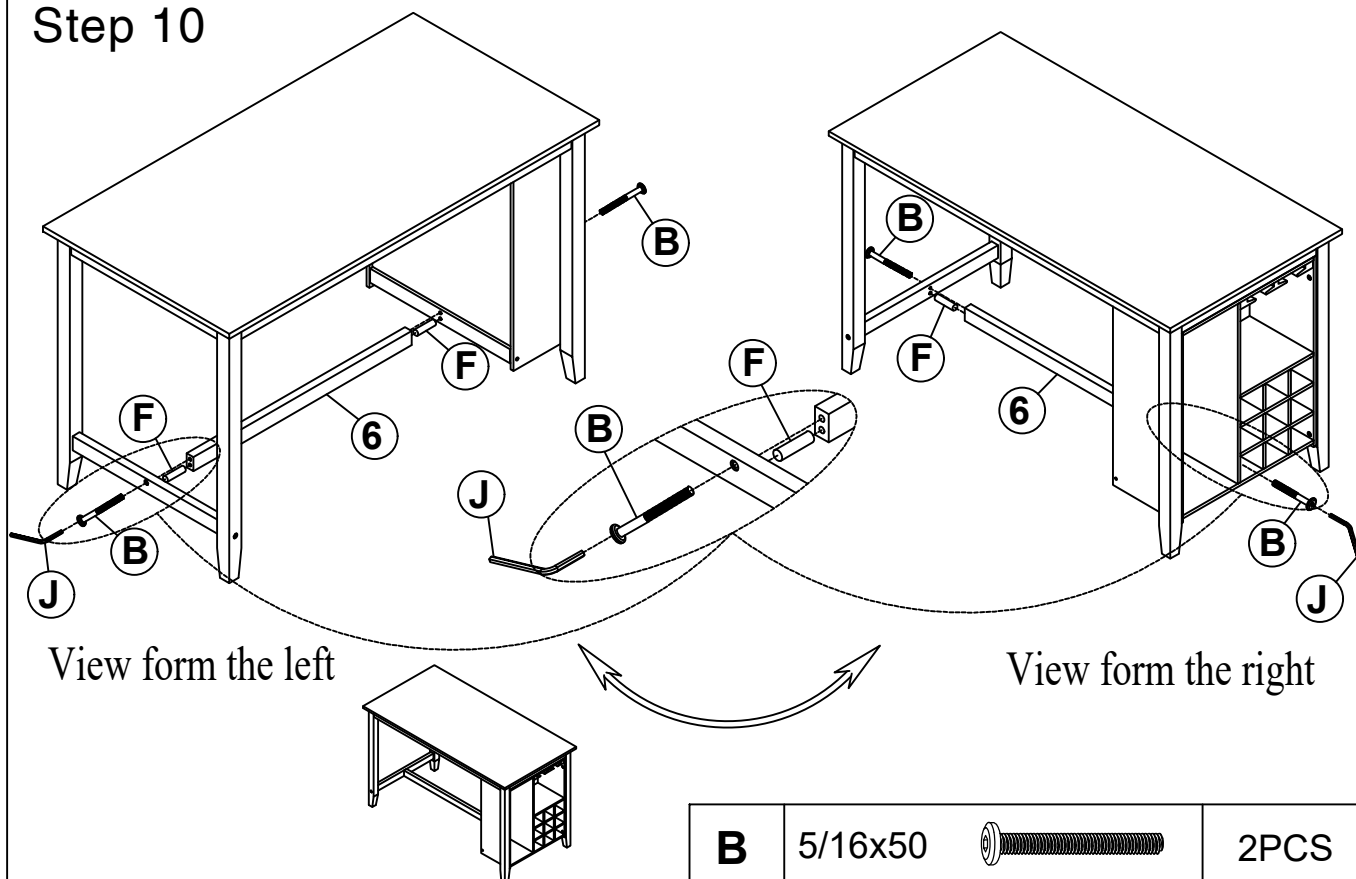
ASSEMBLY INSTRUCTIONS




Step 9



C	5/16x35		6PCS	A	5/16x70		2PCS
F	Ø8x30		2PCS	J	4x58		1PC

Step 10



B	5/16x50		2PCS				
F	Ø8x30		2PCS	J	4x58		1PC