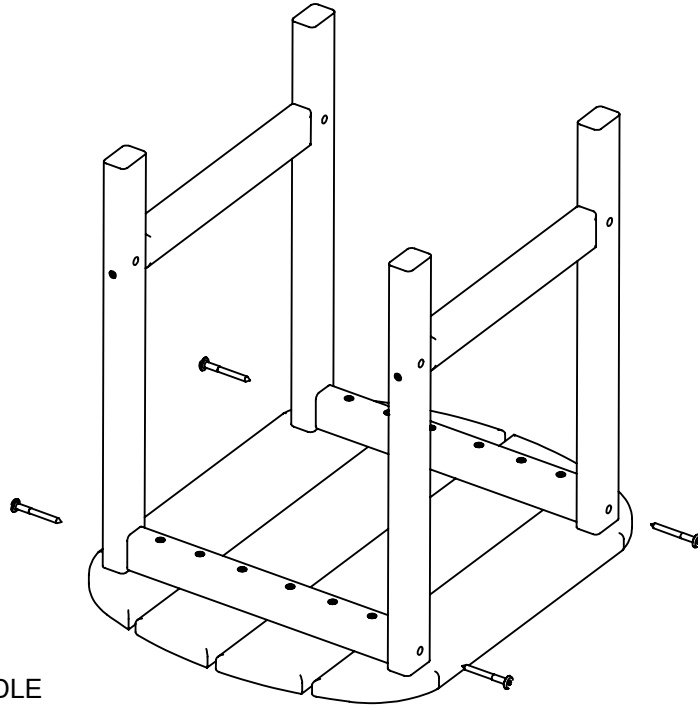
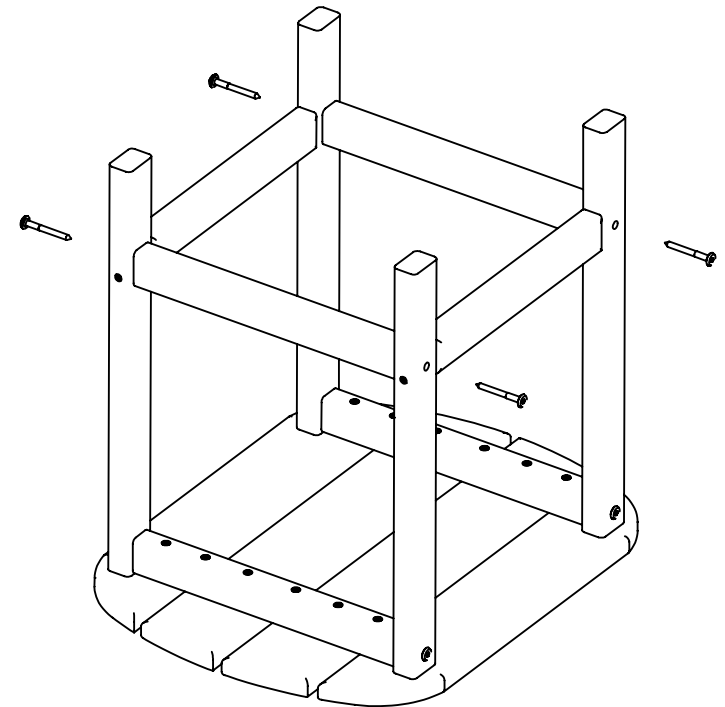


- (1) Table top
- (2) Sideframes
- (2) Braces
- (1) Hardware pack

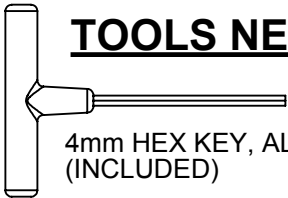
**Step 1**  
Attach sideframes to table top  
using (4) 2" screws



**Step 2**  
Attach braces to sideframes  
using (4) 2" screws



**TOOLS NEEDED**



4mm HEX KEY, ALLEN, T-HANDLE  
(INCLUDED)

Qty.	Description
------	-------------

8

A - .273 X 2.00 SOCKET WAFER A

