



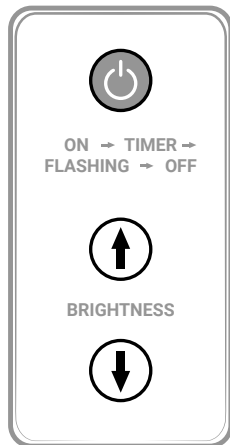
REMOTE CONTROL



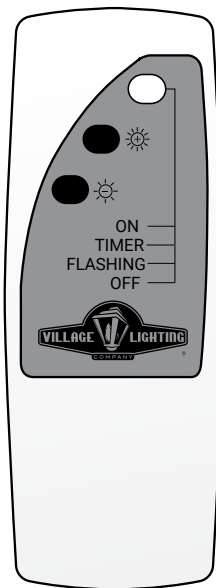
NUN-CHUCK™ BATTERY PACK W/ REMOTE

SELECT YOUR REMOTE CONTROL STYLE

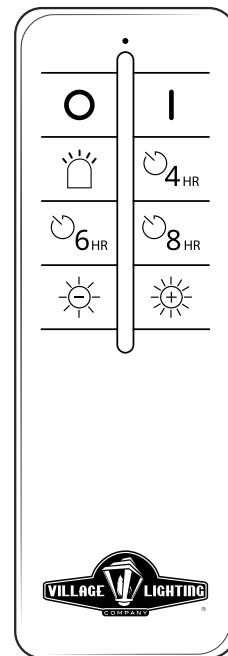
STYLE #1
(Page 1)



STYLE #2
(Page 2)

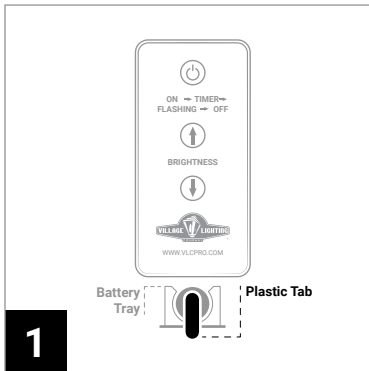
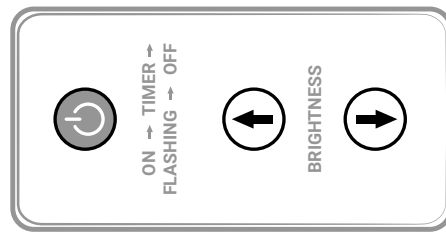


STYLE #3
(Page 3)

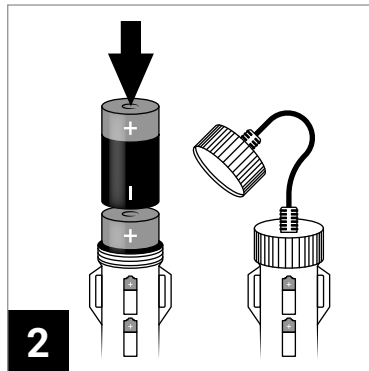


REMOTE CONTROL

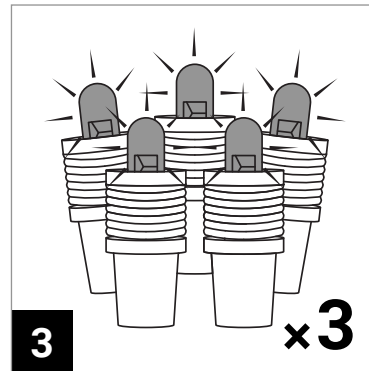
STYLE #1



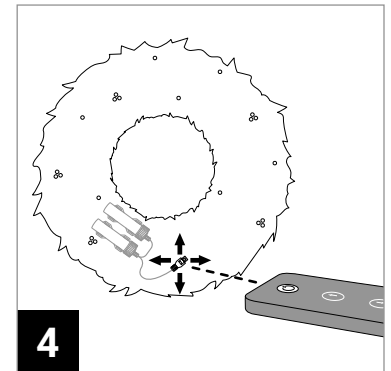
1 Remove the plastic tab from the remote



2 Add four new D size batteries to the battery pack



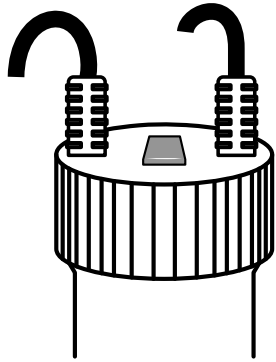
3 Lights will flash three times once batteries are inserted



4 Adjust sensor to be visible. Point remote directly at sensor

- Press 1 x:**
Lights ON
- Press 2 x:**
Timer Mode
*ON 6 hours • OFF 18 hours
Lights flash x3 when activated*
- Press 3 x:**
Flashing Lights
Lights Flash On and off repeatedly
- Press 4 x:**
Lights OFF
- If Button LED is OFF**
Power / System is OFF

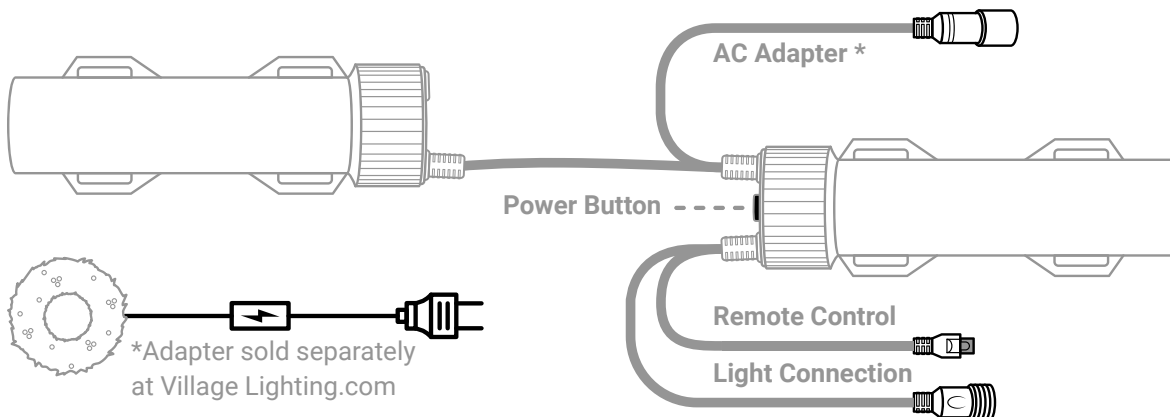
BUTTON



REMOTE

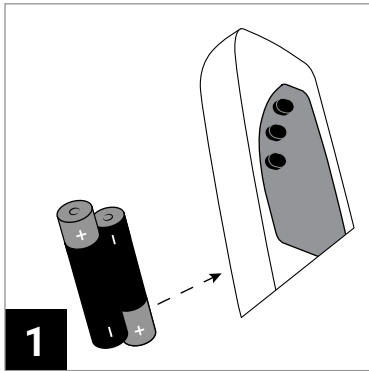
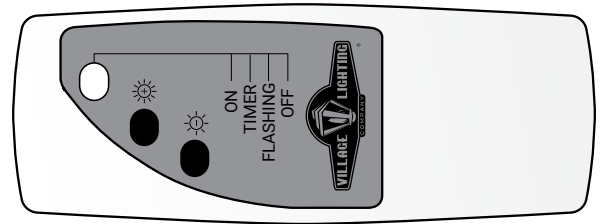


- Press 1 x:**
Lights ON
- Press 2 x:**
Timer Mode
*ON 6 hours • OFF 18 hours
Lights flash x3 when activated*
- Press 3 x:**
Flashing Lights
Lights Flash On and off repeatedly
- Press 4 x:**
Lights OFF
- Bulb Brightness**
The lower the light, the longer the battery life and vice-versa

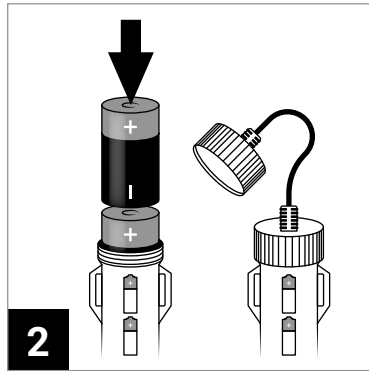


REMOTE CONTROL

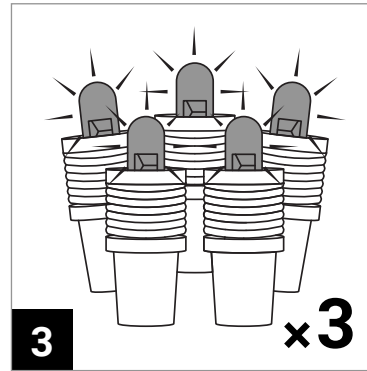
STYLE #2



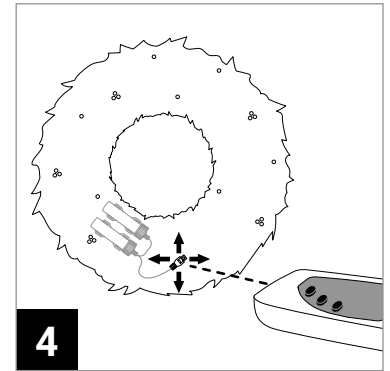
1 Add (2) AAA batteries into the remote



2 Add four new D size batteries to the battery pack



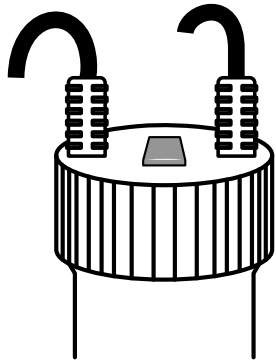
3 Lights will flash three times once batteries are inserted



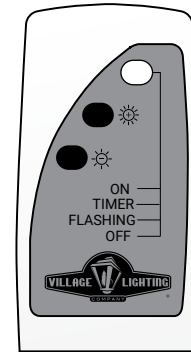
4 Adjust sensor to be visible. Point remote directly at sensor

- Press 1 x:**
Lights ON
- Press 2 x:**
Timer Mode
*ON 6 hours • OFF 18 hours
Lights flash x3 when activated*
- Press 3 x:**
Flashing Lights
Lights Flash On and off repeatedly
- Press 4 x:**
Lights OFF
- If Button LED is OFF**
Power / System is OFF

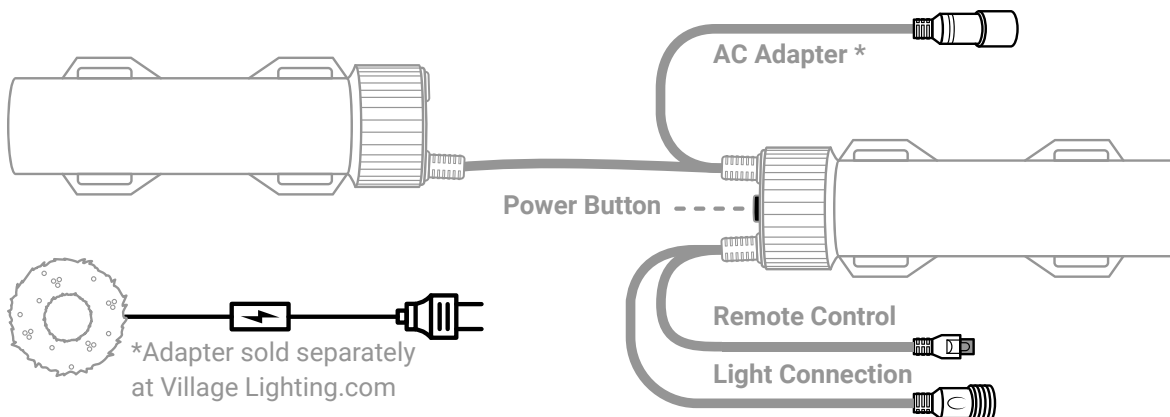
BUTTON



REMOTE

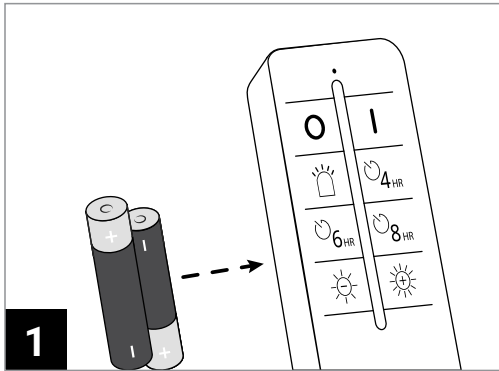
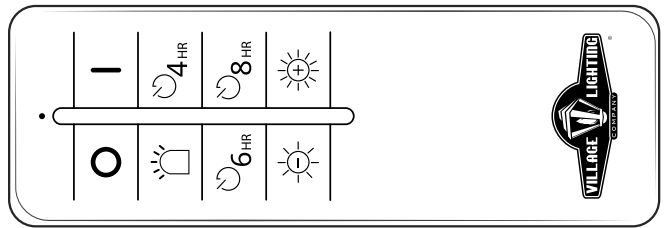


- Press 1 x:**
Lights ON
- Press 2 x:**
Timer Mode
*ON 6 hours • OFF 18 hours
Lights flash x3 when activated*
- Press 3 x:**
Flashing Lights
Lights flash on and off repeatedly
- Press 4 x:**
Lights OFF
- Bulb Brightness**
*The lower the light, the longer
the battery life and vice-versa*

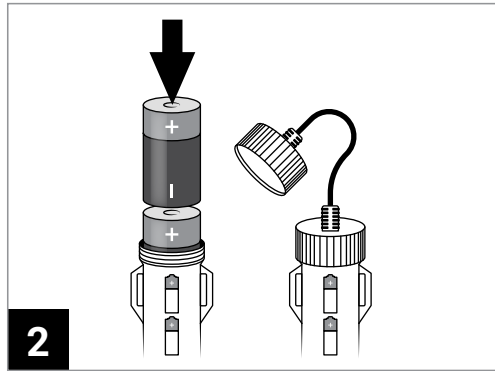


REMOTE CONTROL

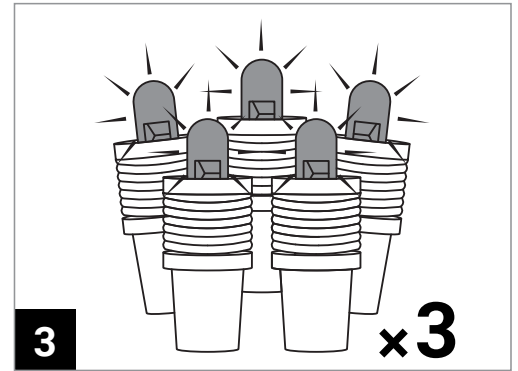
STYLE #3



1 Add (2) AAA batteries into the remote

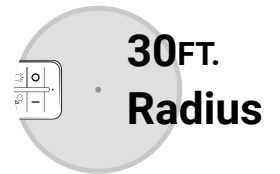
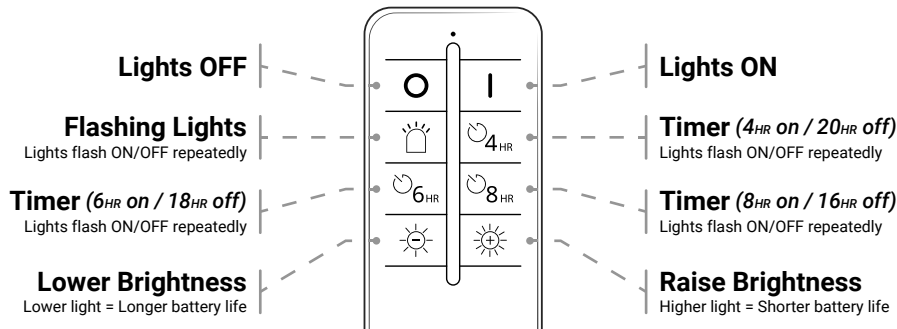


2 Add four new D size batteries to the battery pack



3 The lights will flash three times when the batteries are inserted

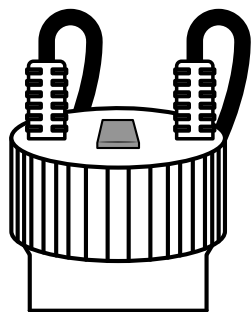
REMOTE FUNCTIONS



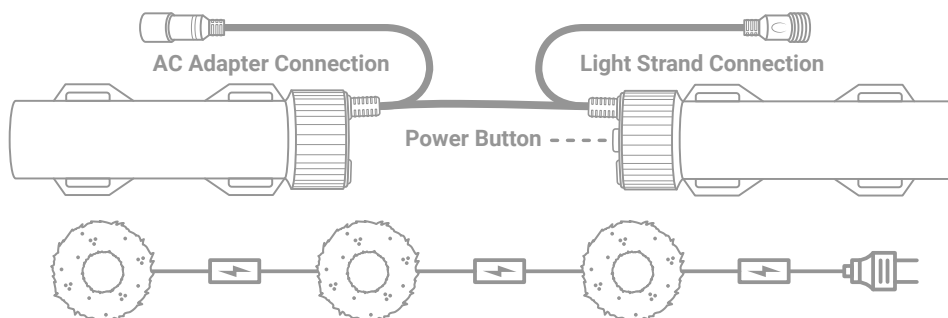
One remote will control all battery packs within a 30 ft. radius.

To control different battery packs with different remotes, visit Villagelighting.com/remote-channel to change the remote's frequency.

BUTTON FUNCTIONS



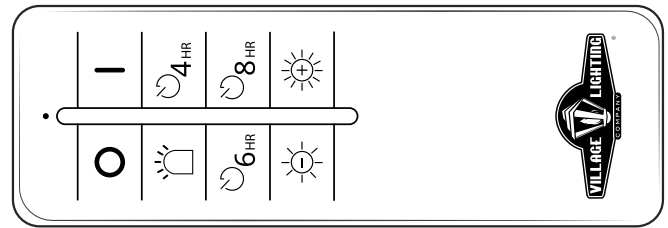
- Press 1x: Lights ON**
- Press 2x: Timer Mode**
ON 6 hrs • OFF 18 hrs
Lights flash x3 when activated
NOTE: 4HR / 8HR options via remote only
- Press 3x: Flashing Lights**
Lights flash ON/OFF continuously
- Press 4x: Lights OFF**
- Button LED OFF?**
Power / System is OFF



* AC Adapter and End-to-End Linking Cables Sold Separately at VillageLighting.com

REMOTE CONTROL

STYLE #3
Continued

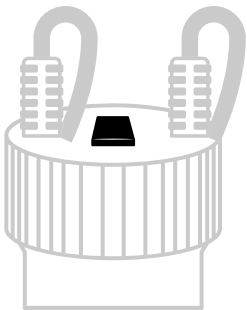


Change Remote Control Channel Frequency



By default, your remote will control any wreath or garland within a 30 foot radius. To control your greenery separate from other pieces of greenery, follow the steps to change the radio frequency from the default channel to a private channel.

Note: All remotes come pre-programmed to the Default Channel radio frequency

Change To Private Channel

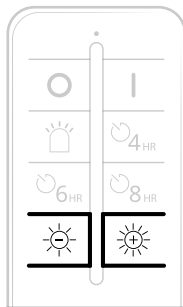
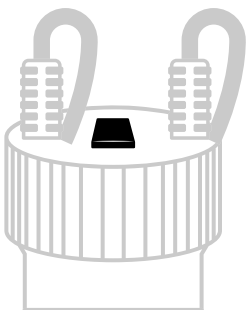


Step 1 Battery Pack: Hold button down for 5 seconds, until light starts to blink fast.

Step 2 Remote: Hold Down the  and  buttons simultaneously. Battery Pack will now be paired to remote's Private Channel frequency.

Step 3 Repeat: Want more Battery Packs paired to the first Remote's Private Channel? Repeat steps 1 and 2 for each additional Battery Pack.

Change Back To Default Channel



Step 1 Battery Pack: Press and hold button down for 5 seconds until light begins blinking quickly, then press the same button again.

NOTE: Do not touch any remote control buttons

Step 2 Remote: Remove the batteries for at least 5 seconds, then re-insert batteries.