

INSTRUCTIONS

NOMAD Conference

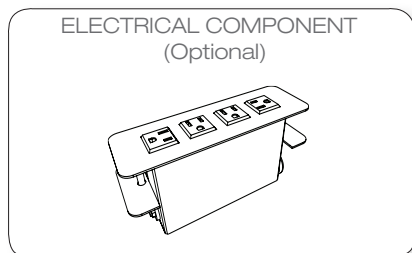
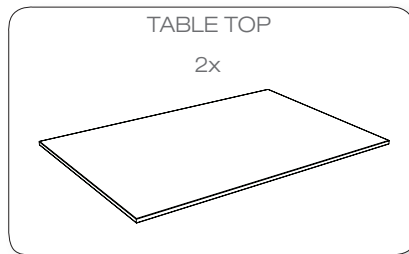
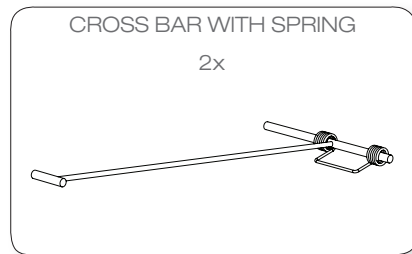
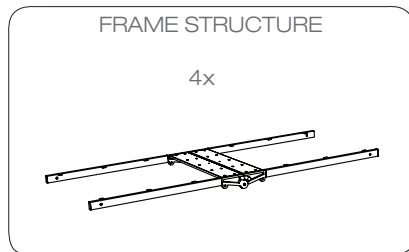
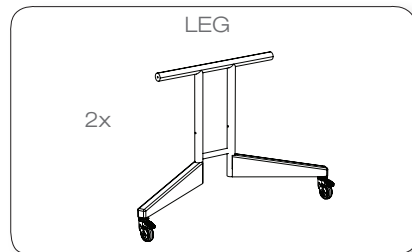
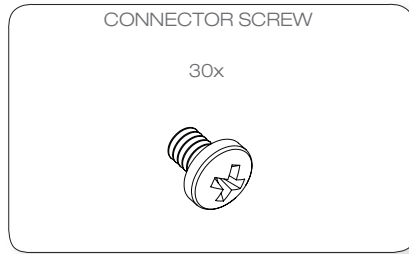
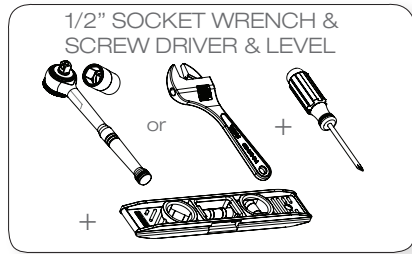
Models: 12Ft/10Ft/Sport



scale^{1:1}

ASSEMBLY INSTRUCTIONS

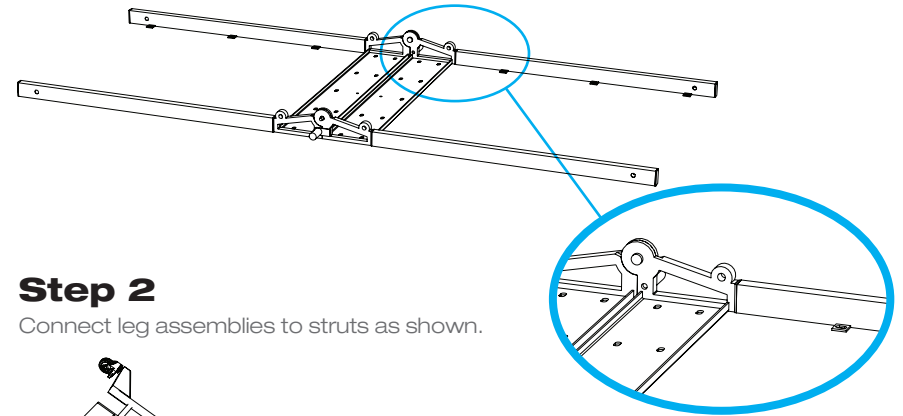
Assemble the item on a soft, non-abrasive surface, such as carpet or cardboard to avoid damaging the item. Seek assistance to assemble this product.



If you receive NOMAD frame preassembled, please go directly to Step 6 to finish installation.

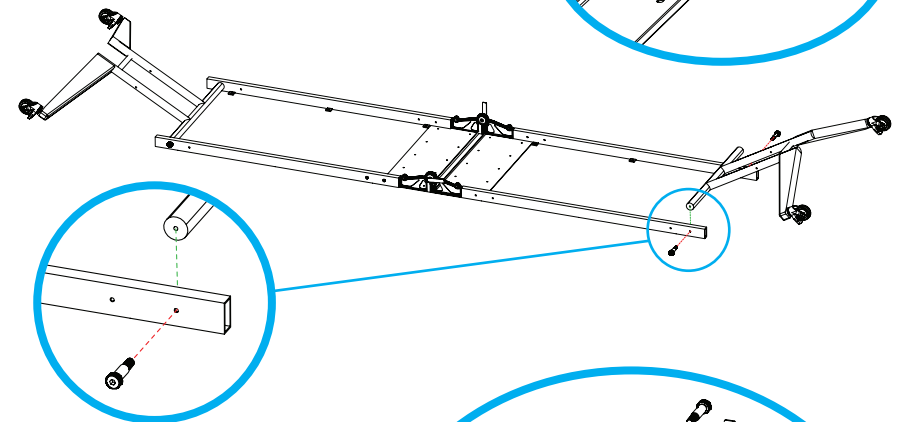
Step 1

Place frame structure & make sure taps are facing down.



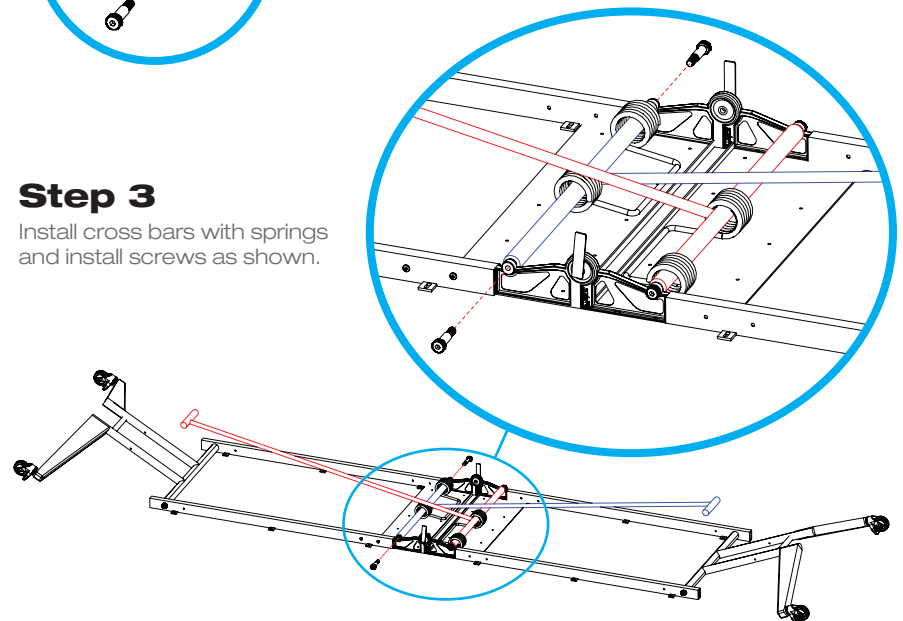
Step 2

Connect leg assemblies to struts as shown.



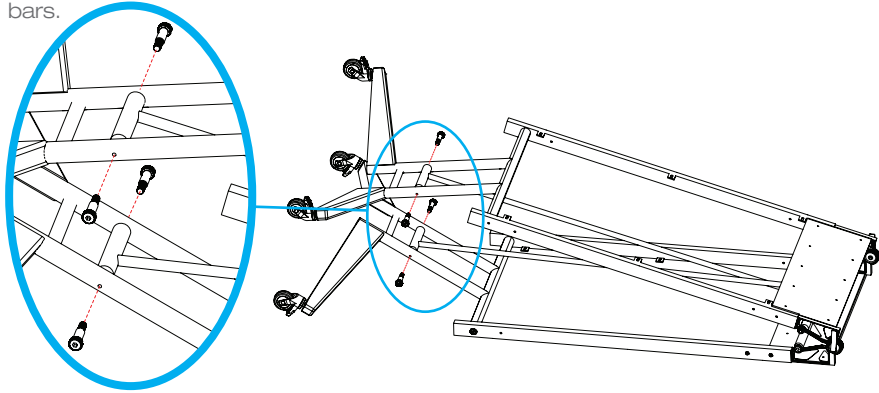
Step 3

Install cross bars with springs and install screws as shown.

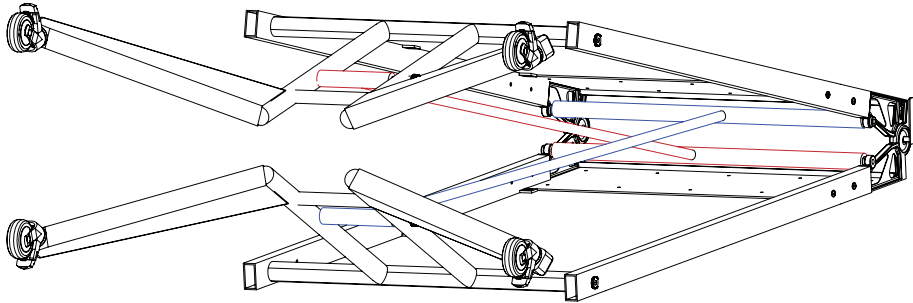


Step 4

Fold the frame assembly. And install shoulder bolts to connect legs with cross bars.

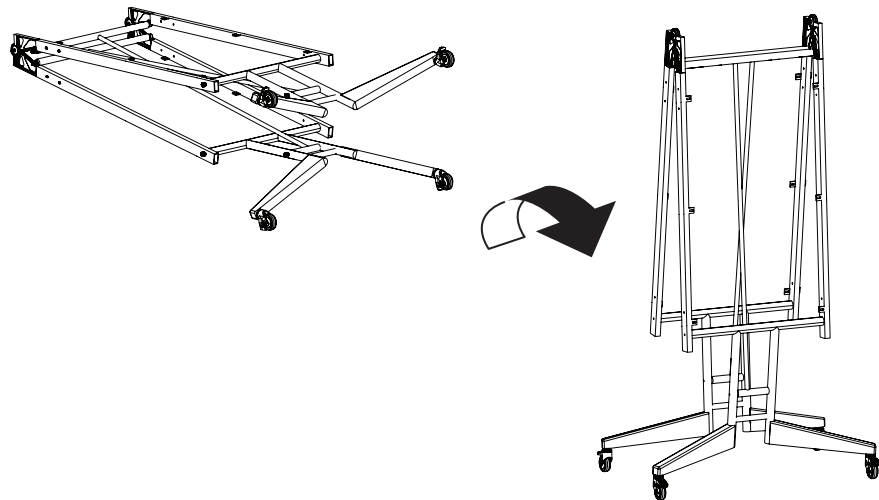


Legs should be connected with cross bars from the opposite side.



Step 5

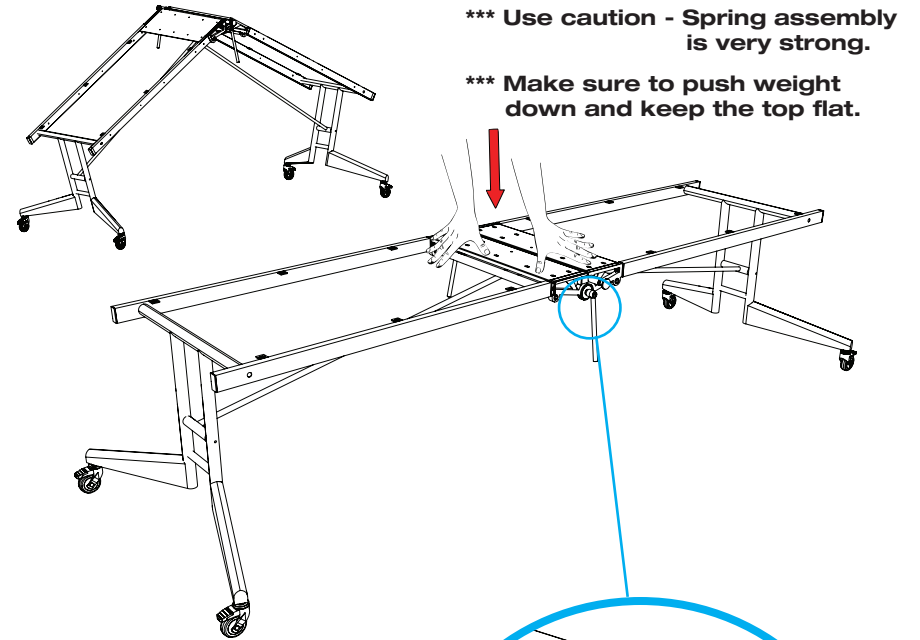
Flip the assembly over to make it stand.



Start here if NOMAD frame is preassembled.

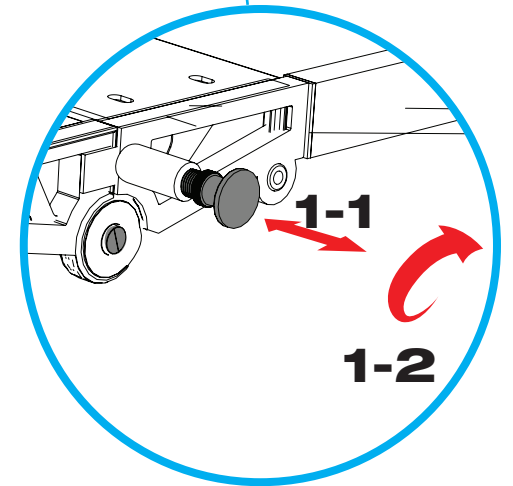
Step 6

Open up the table frame assembly. Tighten lever on both sides of frame. Lock the brake of center hinge. Lock the brake of casters.



***** Use caution - Spring assembly is very strong.**

***** Make sure to push weight down and keep the top flat.**

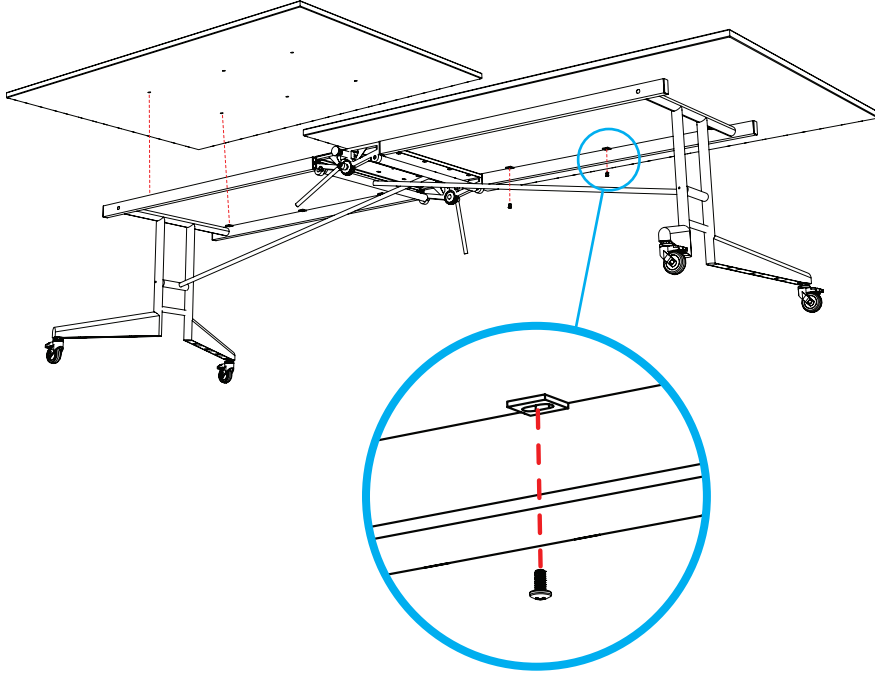


1-1 Pull out plunger-lock.

1-2 Rotate allowing plunger-lock to engage.

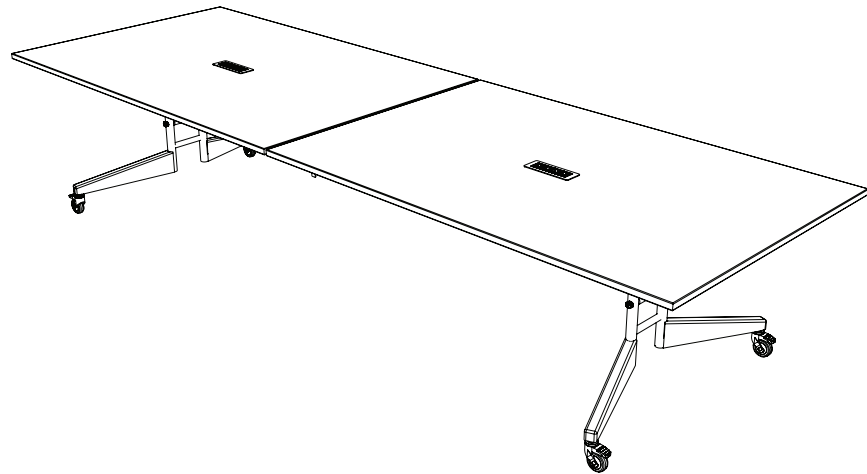
Step 7

Place a table top and install screws. Align steel tabs with threaded inserts on the bottom of table top.



Step 8

Congrats! You are done with the assembly of NOMAD. Make sure to unlock caster brakes only on one side when folding and unfolding.



All done. Great job. Enjoy!



NOMAD

 Conference

12Ft/10Ft/Sport

scale 1:1

For more information about other products and accessories
www.scale1to1.com

SPECIAL WARNINGS:

- DO NOT CRAWL, STAND, OR SIT ON THE TABLE TOP.
- AVOID PLACING EXTREMELY HOT & COLD ITEMS ON THE TABLE TOP.

WARRANTY:

Table:

This warranty is a limited warranty, and applies to the original purchase only. This collection carries a 1 year limited warranty and is valid from original date of purchase to the original owner (proof of purchase required; refer to your retailer). NOTE: Breakage of any kind voids the warranty automatically.

Scratches, chips, and abrasion due to normal wear and tear are not covered.

Exclusions:

Failure caused by unreasonable or abusive use, fire, freight damage, acts of nature (such as, but not limited to freezing or high winds), suntan oil or other chemicals, normal fading, scratching or chipping of the finish, weathering or staining or discoloration of furniture, accidental damage, repair, or modifications by customer, table breakage, normal wear and tear are excluded from the warranty.

Furniture used in commercial, contract or any other non-residential applications; clearance items, display models, and all other as is purchased items are not covered under this warranty. In addition, SCALE 1:1 Inc. will not be responsible for loss of use or time, inconvenience, travel, packaging, or any other consequential/incidental damages. In no event shall SCALE 1:1 Inc.'s responsibility exceed the value of the replacement part/product.

CARE and MAINTENANCE:

Clean your NOMAD with water and dry with a soft absorbent cloth towel. Do not use bleach or solvents to clean this product! This will void the warranty. Lack of original receipt will void warranty!

IMPORTANT:

Refer to your retailer for further details of your SCALE 1:1 product purchase policies. Return policy is strictly under the retailer discretion. SCALE 1:1 is exempt of responsibility or accepting product returns direct from a consumer when the product was not purchased direct from SCALE 1:1's inventory.