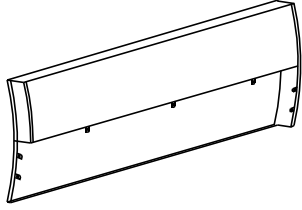
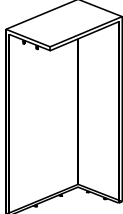
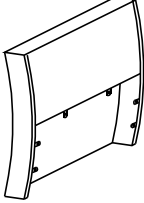
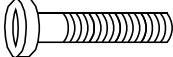
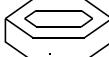

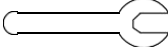



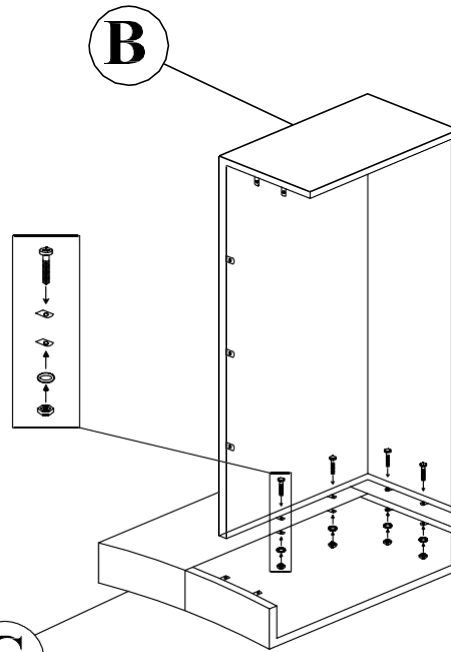
(SIDE SOFA)

ASSEMBLY INSTRUCTIONS

BEFORE YOU START ASSEMBLING YOUR FURNITURE:

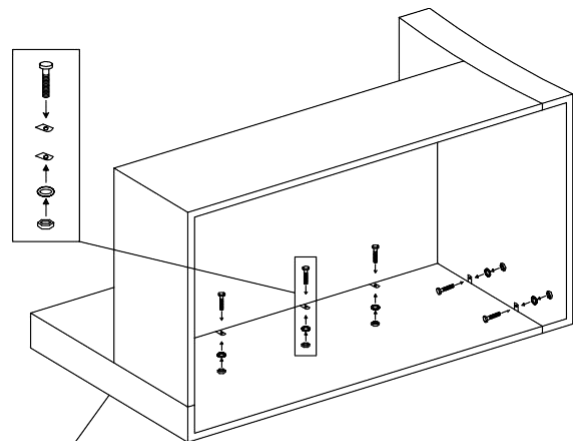
- CHECK THAT YOU HAVE ALL THE PIECES LISTED ON THE LEFT HAND SIDE.
- LAY A CLEAN SHEET ON A FLAT SURFACE BIG ENOUGH TO ASSEMBLE YOUR FURNITURE ON IN ORDER TO PROTECT YOUR FURNITURE.

A	1	
B	1	
C	1	
D	11	
E	11	
F	1	
G	1	
H	1	



1.

Attach side (C) to the sofa base (B). Do this by laying side (C) on the ground with the bolt brackets facing you. Then align the bolt brackets of the sofa base (C) with those in the sofa side (C) as shown in the diagram above. Insert bolt (D) through the bracket of the sofa base (B) and through the bolt bracket of the sofa side (C). Then secure with a washer (F) and a nut (E). Loosely tighten the nuts and bolts with the spanner (G) and allen key (H).



2.

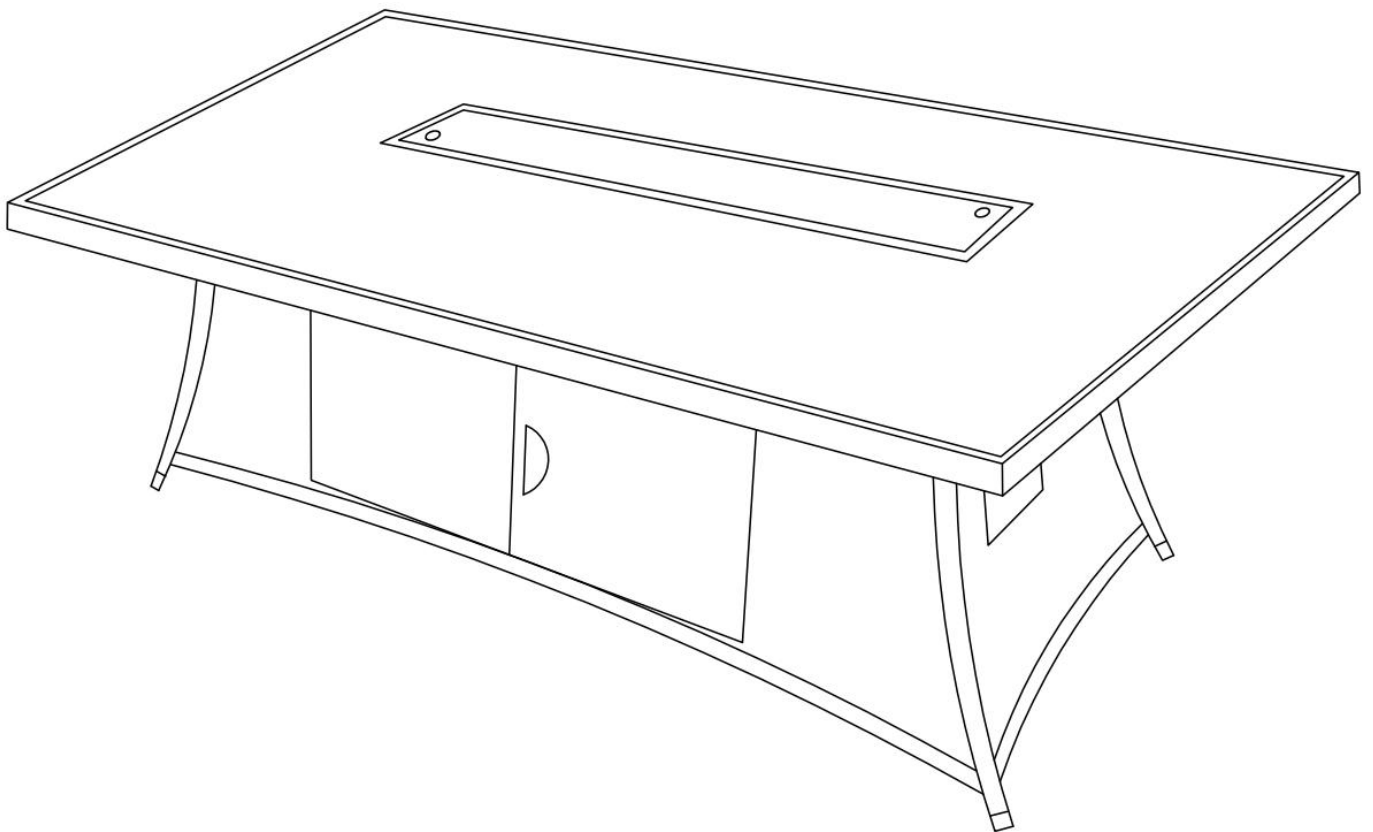
Next, attach the sofa back (A) to the sofa base and sofa side (B+C). Lay the sofa back (A) down so that the bolt brackets are facing you. Then place (B+C) in position, as shown in the above image, so that the bolt brackets are all aligned. Insert bolt (D) through the brackets of the sofa base (B) and through the bolt brackets of the sofa side (C). Then secure with a washer (F) and a nut (E). Loosely tighten the nuts and bolts with the spanner (G) and allen key (H).

Once all of the nuts and bolts are in place, fully tighten all of the nuts and bolts used in the assembly using the spanner (G) and allen key (H).


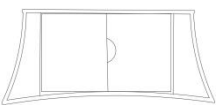



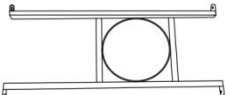
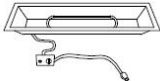


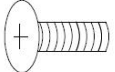




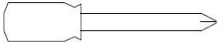

OUTDOOR FIREPIT

Rectangular

INSTALLATION AND USER'S INSTRUCTIONS



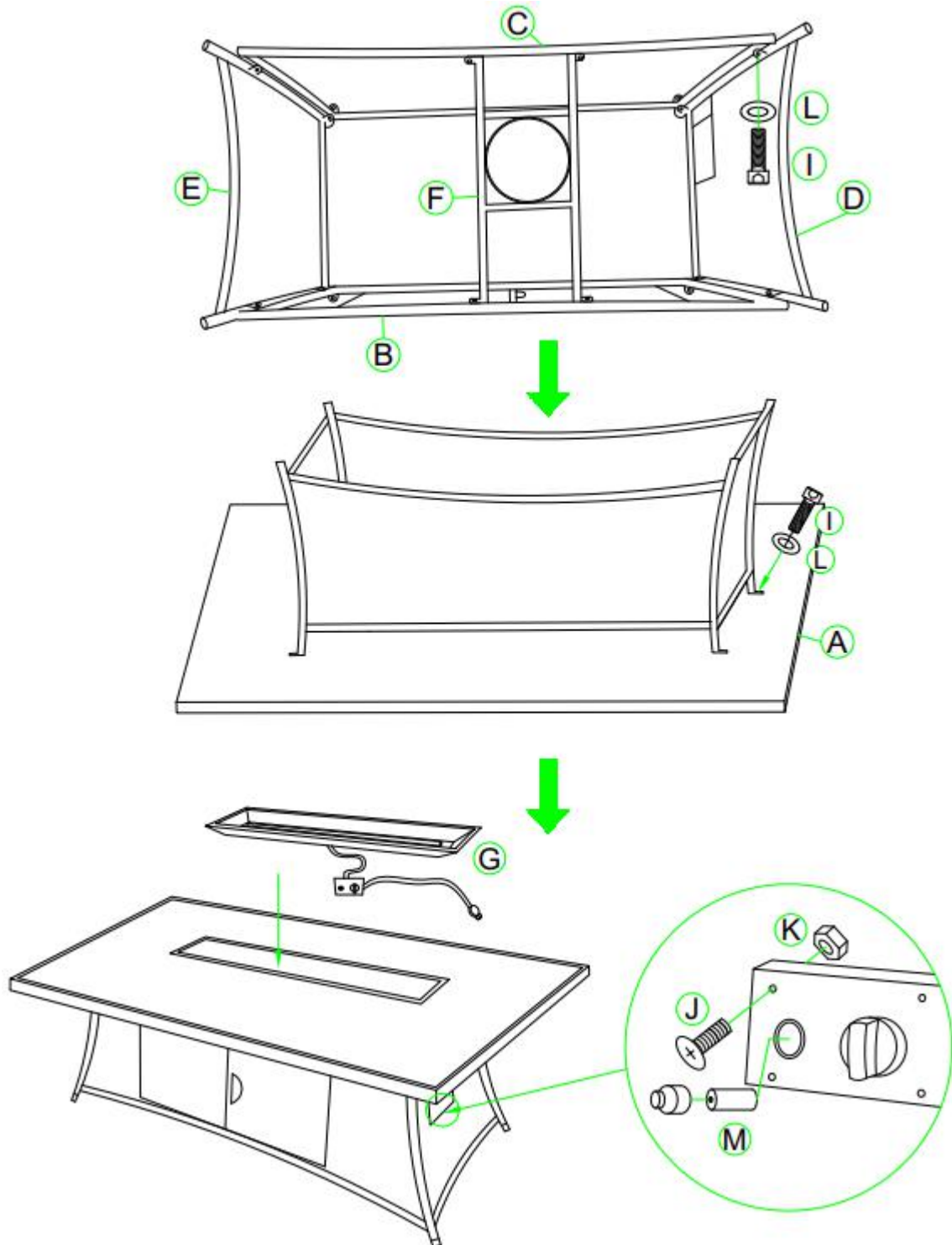
PACKAGE CONTENTS

	PART	DESCRIPTION	QTY
A		FIREPIT TABLETOP	1
B		PART A	1
C		PART B	1
D		PART C	1
E		PART D	1
F		PART E	1
G		RECTANGULAR BRAZIER	1
H		BURNER COVER	1
I		1/4"*18 BOLTS	16
J		M4*25 BOLTS	4
K		M4 SCREW NUT	4
L		WASHERS	16
M		"AAA" BATTERY (1.5V)	1
N		GLASS	1
O		SCREWDRIVER	1
P		HEX BOLT DRIVER	1

ASSEMBLY

NOTE: It is best to use TWO PEOPLE for assembly of this gas fire pit.

1. Carefully unpack all items from the box. Place the base in the final position. There must be a minimum of 48 in / 122 cm of clearance from the side of the table top to any combustible walls.
2. Place the tabletop on the base. Secure the tabletop to the firepit base using the bolts and washers that are provided



3. Pour the lava rock into the burner pan completely covering the burner.

4. Connect the hose and regulator to the cylinder. The propane gas and cylinder are sold separately. Use a standard 20 lb / 9.1kg. propane cylinder only. Use this fire pit only with a propane vapor withdrawal supply system. See Chapter 5 of the standard for storage and handling of liquefied petroleum gas, ANSI/NFPA 58. Your local library or fire department should have this book. Storage of an appliance indoors is permissible only if the cylinder is disconnected and removed from the appliance. A cylinder must be stored outdoors in a well-ventilated area out of reach of children. A disconnected cylinder must have dust caps tightly installed and must not be stored in a building, garage or any other enclosed area. The maximum inlet gas supply pressure: 250 psi..

The minimum hourly of 50000 Btu is required input rating for a fire pit at rating less than full input rating. The pressure regulator and hose assembly supplied with the appliance must be used. The installation must conform with local codes, or in the absence of local codes, with national fuel gas code, ANSI Z223.1/NFPA54, natural gas and propane Installation Code, CSA B149.1, or propane storage and handling code, B149.2.

