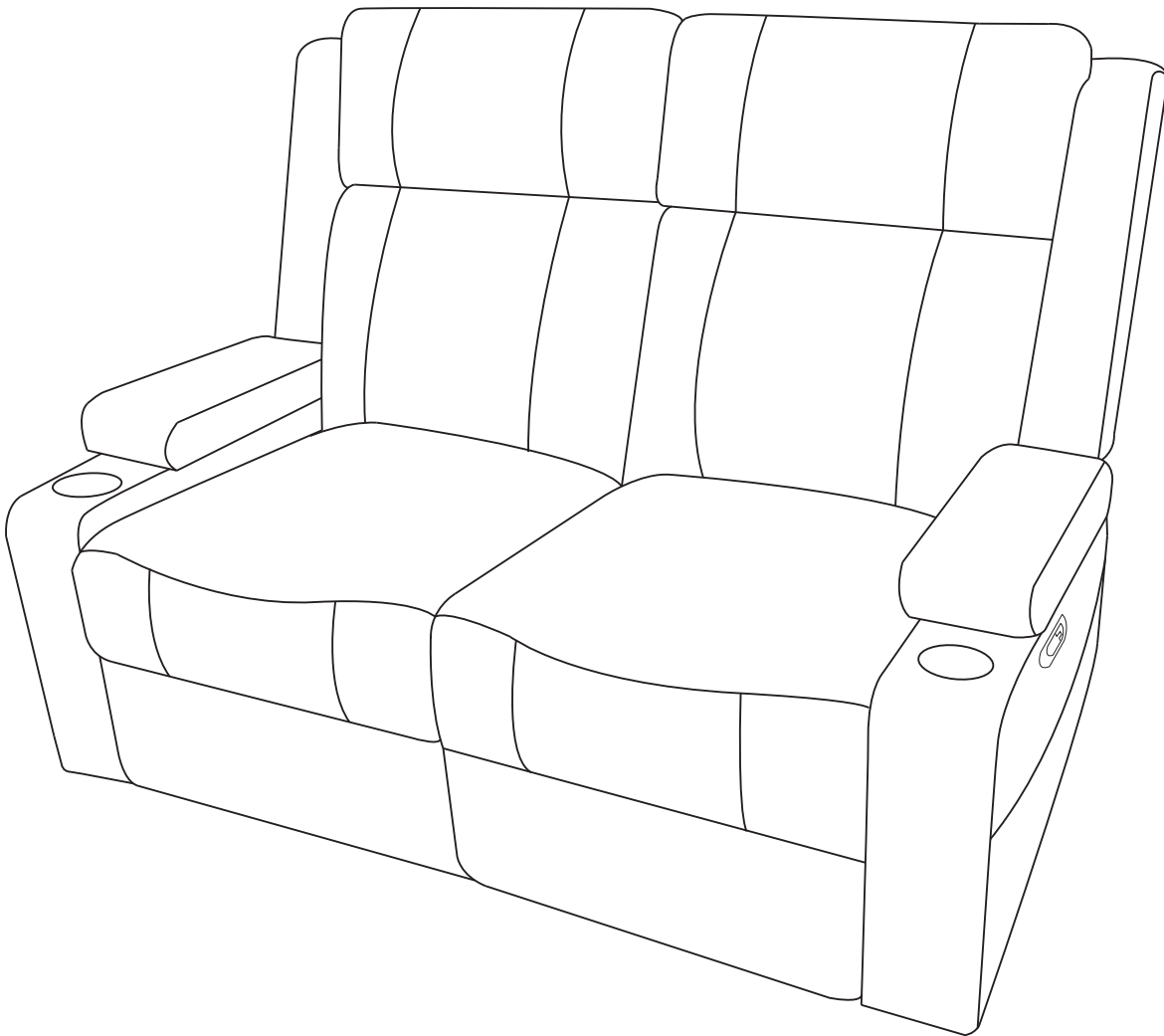


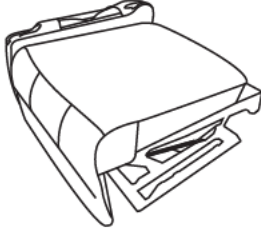
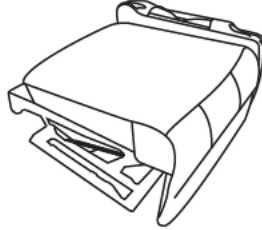
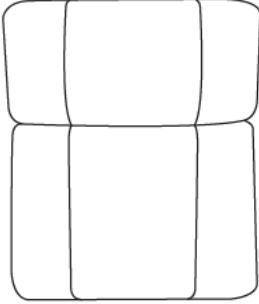
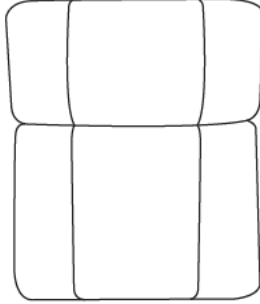
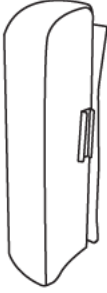
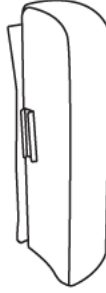

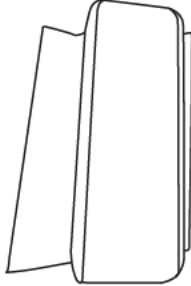
# Manual Loveseat Recliner

## Operating Instruction


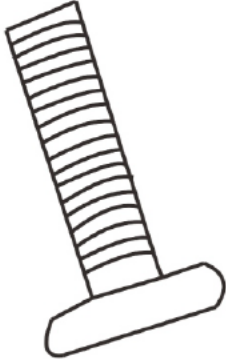
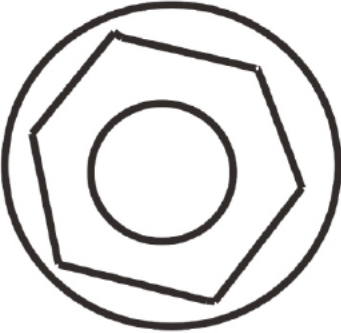
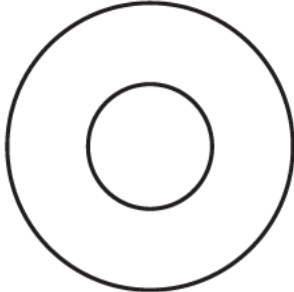
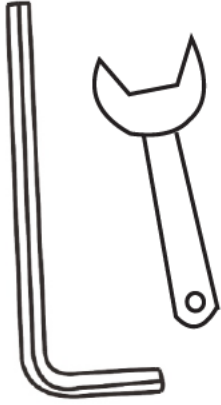



**NOTE:** This loveseat is shipped in 2 boxes. All accessories included. If you have any questions after receiving the sofa, please contact us in time and provide pictures. We will try our best to help you solve it.

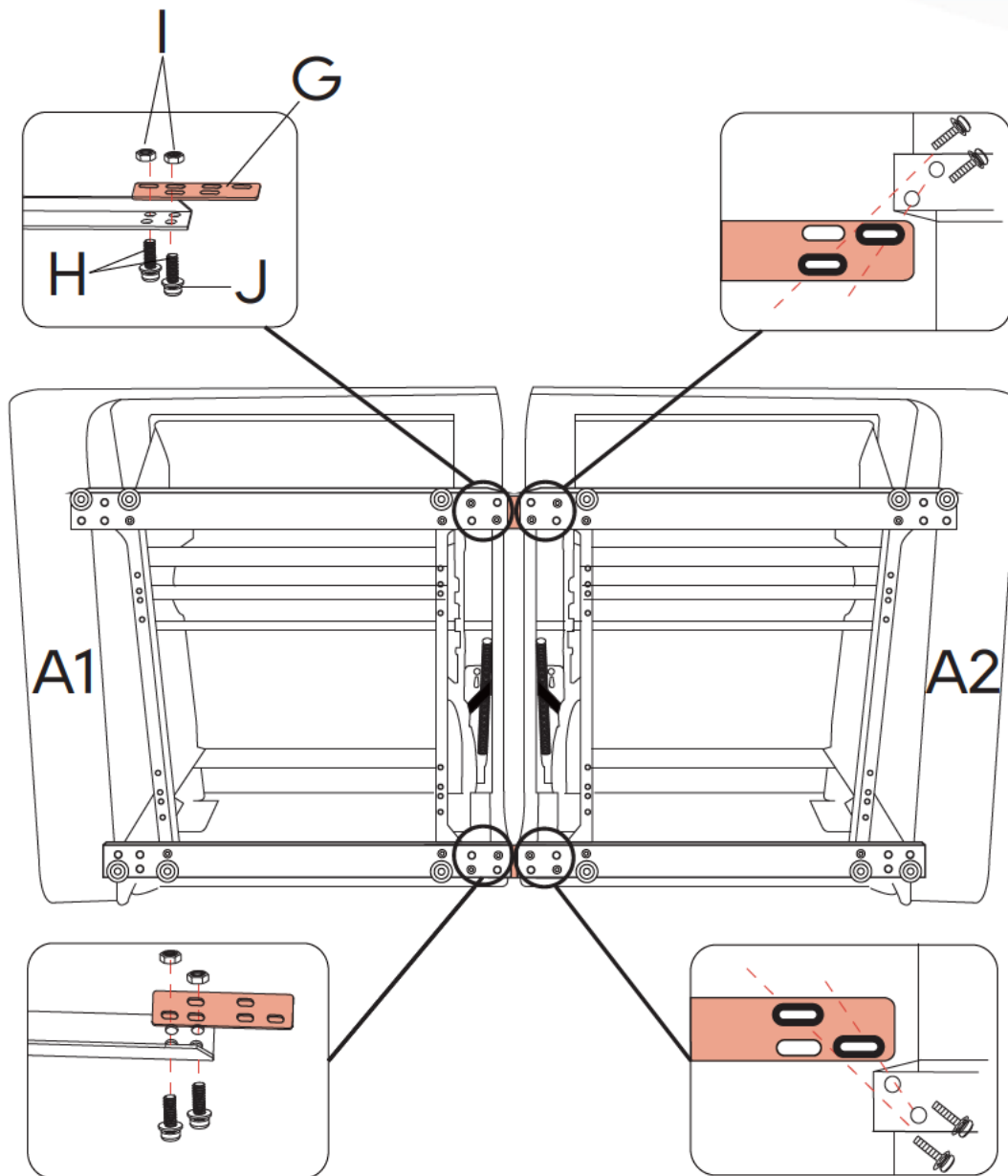
# PARTS LISTING

Part	Description	Qty	Part	Description	Qty
<b>A1</b>		1PC	<b>A2</b>		1PC
<b>B1</b>		1PC	<b>B2</b>		1PC
<b>C</b>		1PC	<b>D</b>		1PC
<b>E</b>		1PC	<b>F</b>		1PC

# PARTS LISTING

Part	Description	Qty	Part	Description	Qty
<b>G</b>		2PCS	<b>H</b>		8PCS
<b>I</b>		8PCS	<b>J</b>		8PCS
<b>K</b>		1PC	<b>L</b>		2PCS

# Step 1



## Note:

For the convenience to adjust parts connection, never fully tighten the screws until you finish the installation, tighten screws to 80%-90% is enough.

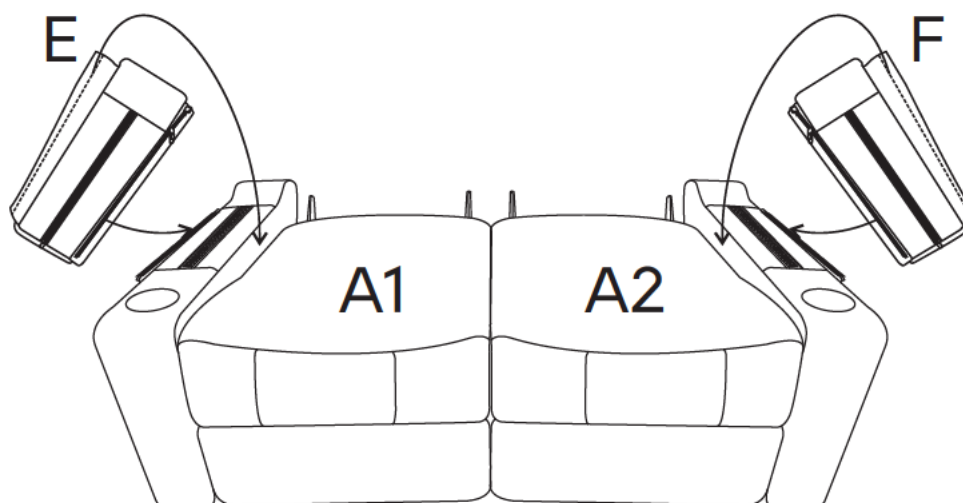
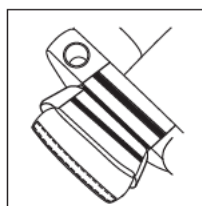
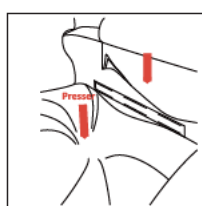
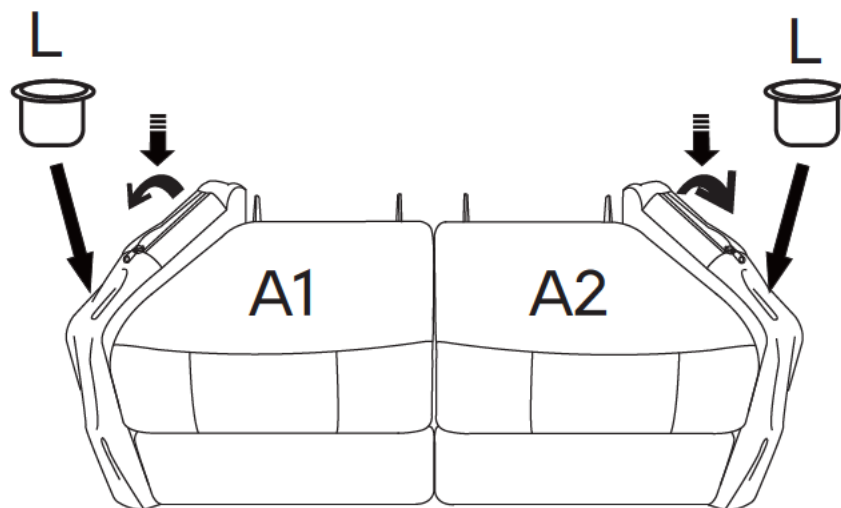
## Accessories:

Part A1\*1, Part A2\*1, Part G\*2, Part H\*8, Part I\*8, Part J\*8, Part K\*1.

Turn the two bases (Part A1 and Part A2) upside down and align them. Two pieces of iron (Part G) at the front and back connect the left and right bases.

Align the two holes on the base and the holes of the iron sheet Part G, and then connect with Part H, I, J. As shown in the figure.

## Step 2

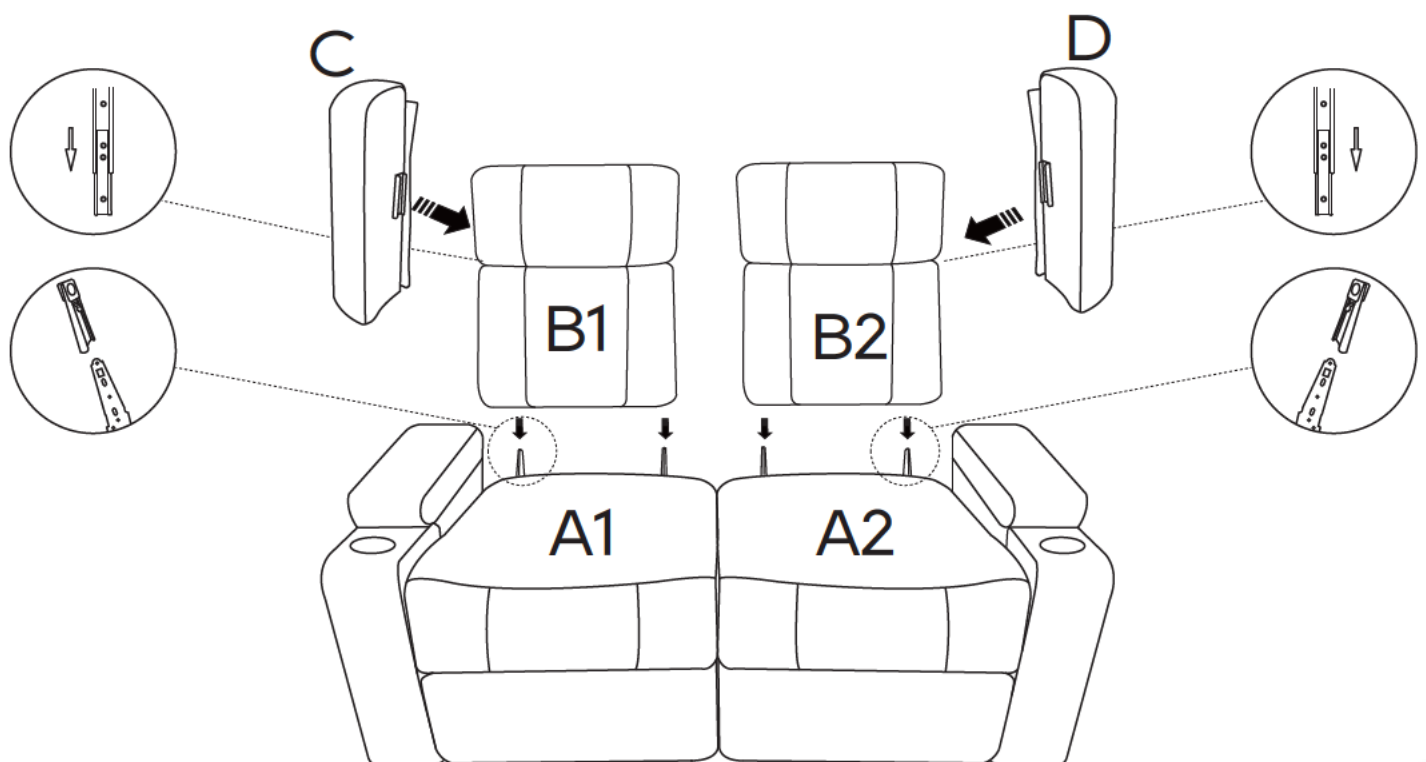


### Accessories:

Part A1\*1, Part A2\*1, Part E\*1, Part F\*1, Part L\*2.

Open the zipper, gently pull the bottom and top of the armrest outward, press down on the middle wooden strip, and return it to its normal position, then close the zipper, install the cup holders (Part L) on both sides. Secure the armrest cushion (Part E, Part F) above the armrest using the zipper and Velcro, ensuring that the Velcro is attached to the inner depth of the seat to prevent movement.

## Step 3



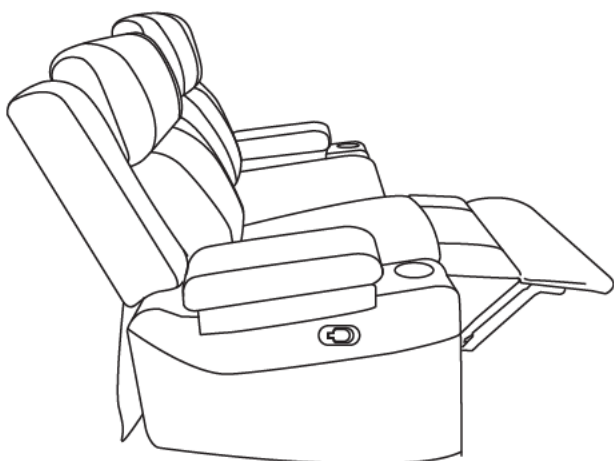
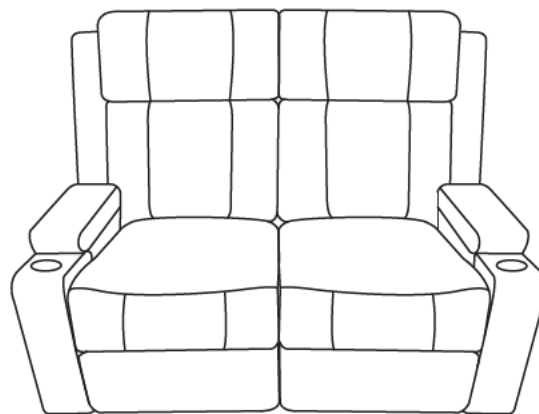
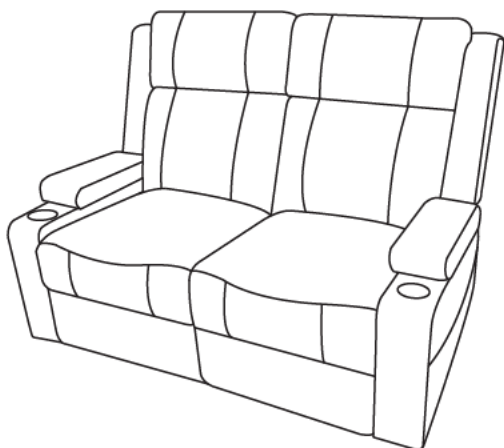
### Accessories:

Part A1\*1, Part B1\*1, Part A2\*1, Part B2\*1, Part C\*1, Part D\*1.

Align the inserts on the backrest and the base, insert B1 into A1, insert B2 into A2, connect C to B1, and connect D to B2.

Pay attention to pressing down hard to ensure that the insert is inserted in place to avoid shaking or tilting.

## Step 4



Congratulations on completing the assembly and you can use this loveseat recliner now. You can use the handle next to the armrest to open the footrest, and then use your waist strength to lie back. Note that the backrest will return as your body returns. When you are sitting or lying on the manual recliner loveseat, you will feel the perfect support and extra comfort. Hope you will like our loveseat.