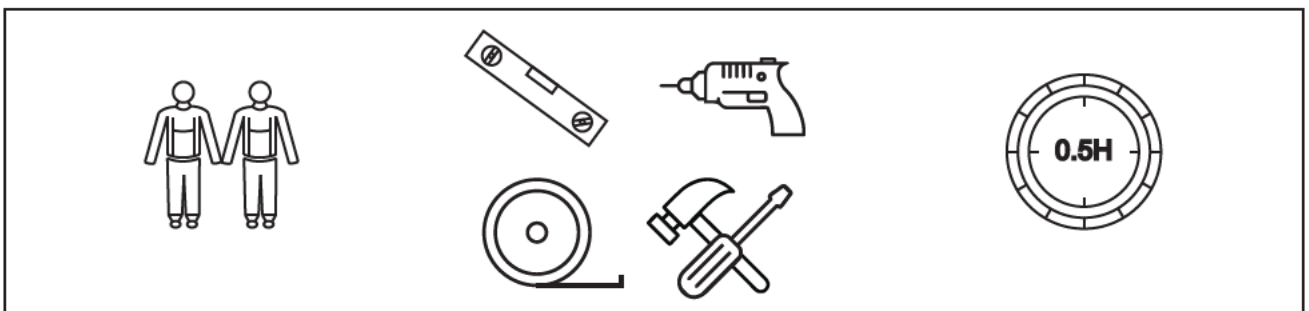
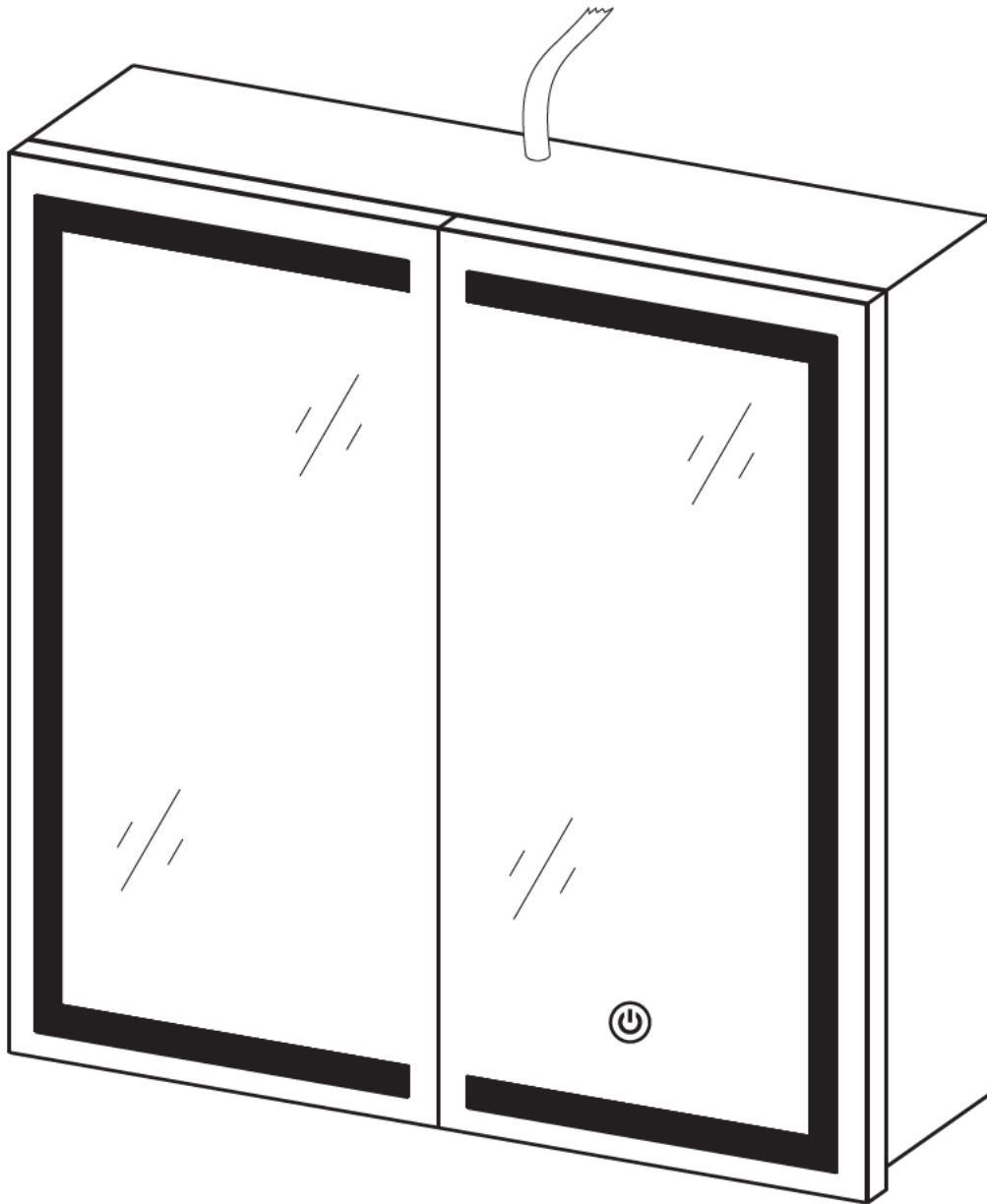
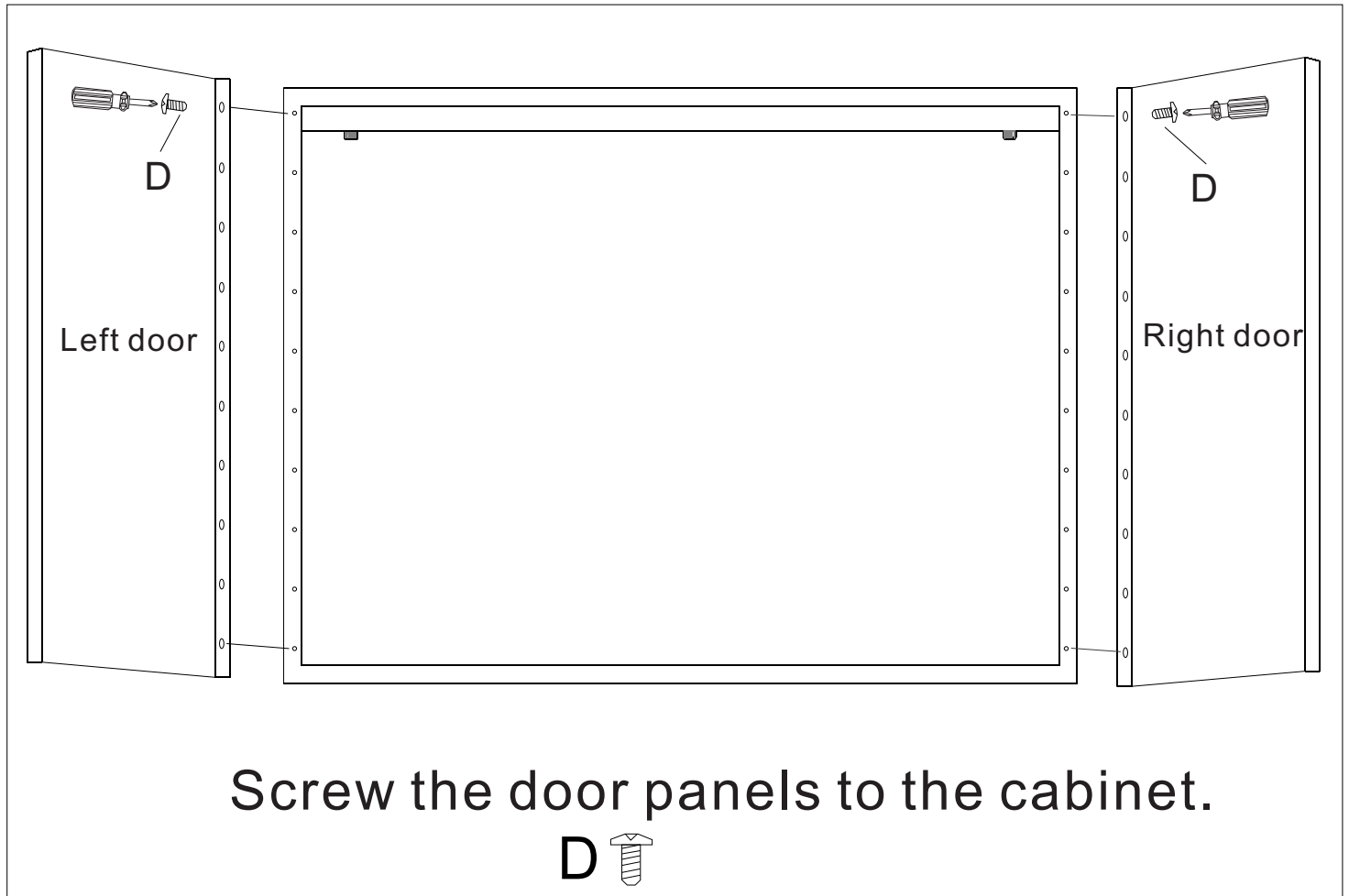


# Installation Instructions for LED Medicine cabinet



# Installation Instructions for Door



## **CAUTION:**

During operation of this product, never use hard or sharp objects directly against the mirror surface, as it may result in damage and/or personal injury.

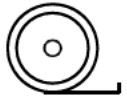
Clean the product with a soft cloth and mild detergent only. Do not use abrasives, chemical cleaners, or leave any solutions on the surface such as shampoo, etc. as they may damage the mirror.

# Installation Instructions for LED Medicine cabinet

Please take time to read this leaflet carefully and retain it for future reference.

**⚠ Please put the product on the pearl cotton to avoid the glass damage**

## Tools used



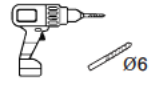
Measuring Tape



Levelling Ruler



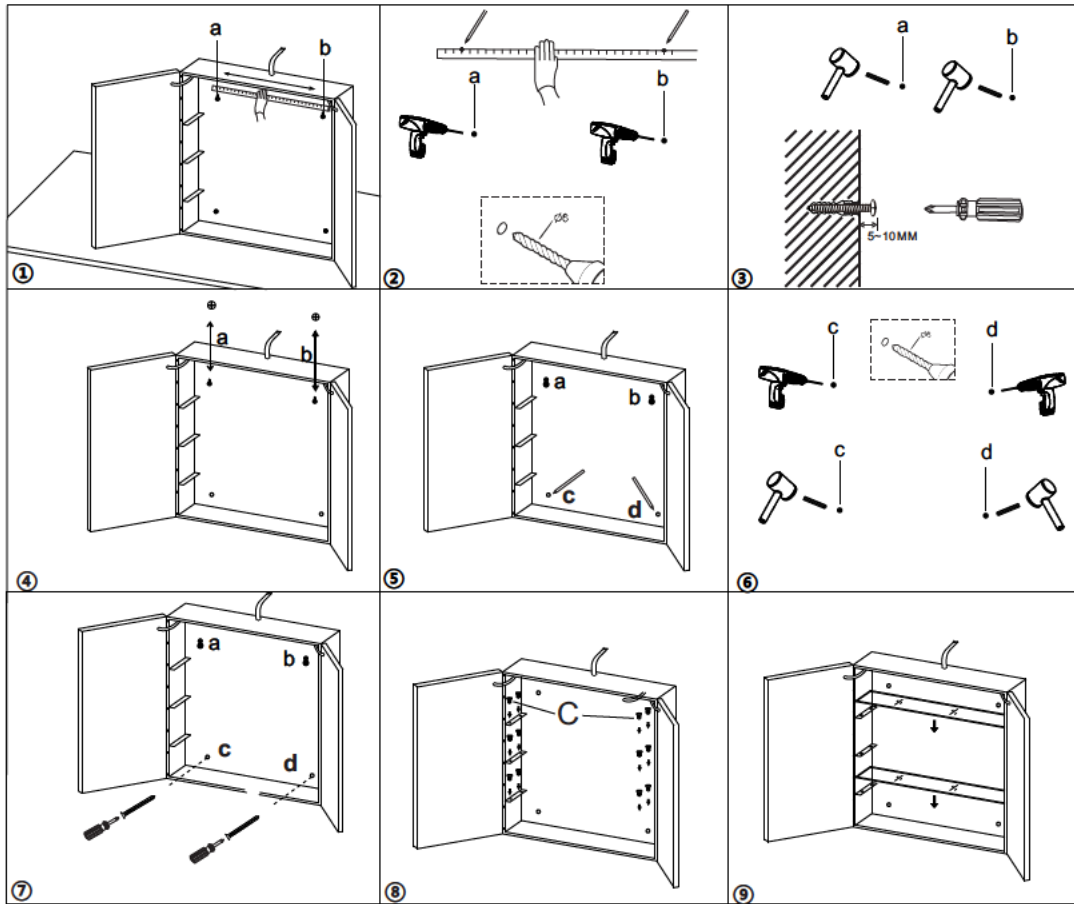
Screwdrivers



Drill with Bits



Hammers



## Accessories list

A  x4	B  x4	Glass  x2	C  x12	D  x20
-------	-------	-----------	--------	--------

## Installation Instructions:

Fig1: Measure the distance between a/b.

Fig2: Mark the location of the holes horizontally on the wall and drill the holes.

Fig3: Hammer "A" anchors into the pre-drilled holes. Fix the screw "B" into the holes and make the screw protrude 5-10mm.

Fig4: Make the holes a/b align with the screw and hang the product.

Fig5: Measure the distance between c/d and mark the location.

Fig6: Drill the holes of c/d and hammer "A" anchors into the holes.

Fig7: Tighten the screws of c/d and a/b.

Fig8: Put the buffer "C" into shelf support to avoid the glass move.

Fig9: Put the glass shelf into the cabinet to complete the installation.

**⚠ Cut off the power supply for installation**

Wire connecting door panel and cabinet,  
② tighten the knob as step 2 sketch.

**Input terminal wiring diagram for US specifications**

Black		Black
Green		Green
White		White

**MAIN SUPPLY**

## FUNTION:

The switch control the light ON/OFF;

Dimmer: Keep pressing the switch for over 2 seconds to adjust the brightness from 10% to 100%;

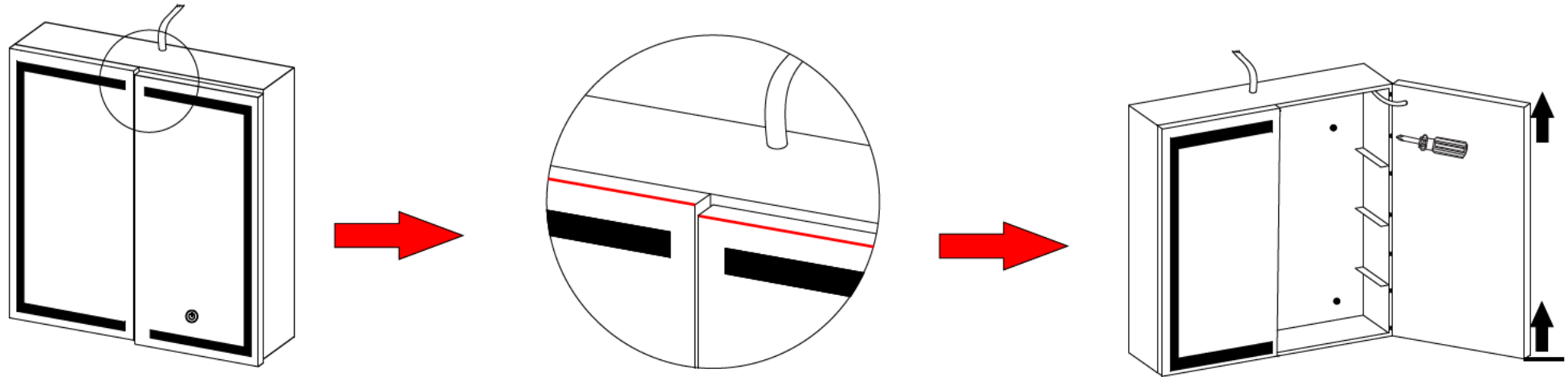
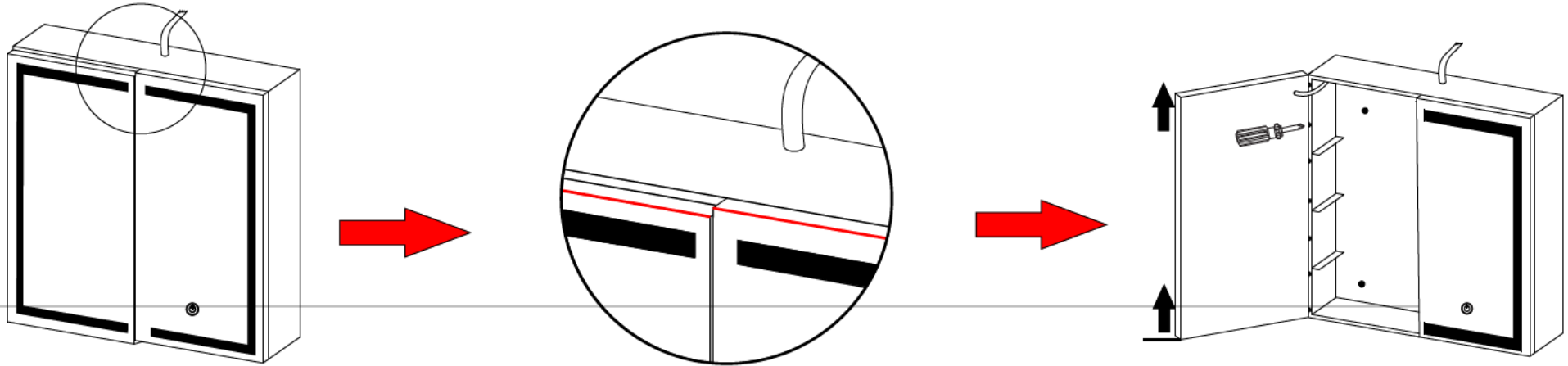
CCT: Short press the switch, the lighting color temperature can be adjust to either 3000K / 4500K / 6400K.

Brightness Memory: When the light is turned on it will remain the last turn-off brightness level.

There is a white shaver socket inside the mirror cabinet.  
The maximum power of electrical appliances using this shaver socket cannot exceed 1000 watts.

# Door unevenness adjustment method

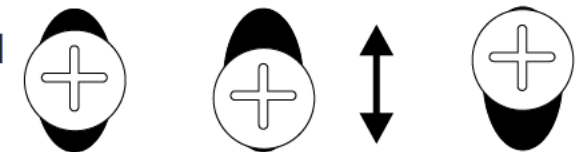
If you find that the two cabinet door are not on the same level, please adjust the door according to the following steps.



Step1: Find the cabinet door that is not at the same level as the cabinet.

Step2: Loosen the screws, push the door upward and make sure it is level with the cabinet body.

Step3: After confirming that the door panel is level, tighten the screws.



Door upward adjustment    Door down adjustment