

CARE AND MAINTENANCE





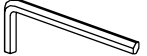



Blot up spills immediately, always use coasters on table tops under beverages. Use trivets or mats under hot dishes or cookware. Clean with warm water and dry surface immediately after cleaning. Do not use cleaners that contain acid such as bathroom cleaners, grout cleaner, and tile cleaners. Do not use abrasive cleaners in either dry or liquid forms. Use a cleaner and polish formulated for marble surfaces.

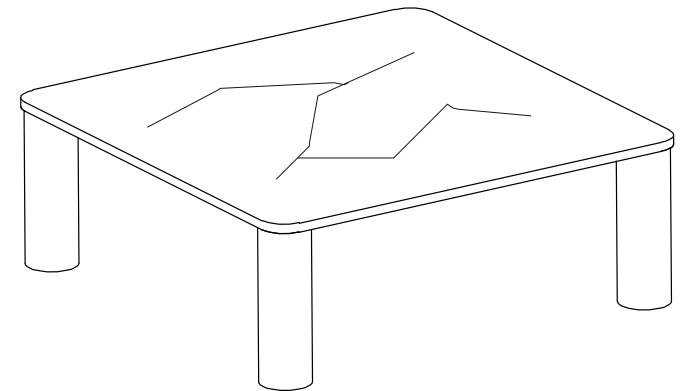
NOTICE

- * Please make sure that you have all parts indicated before you begin assembly of this item.
- * This item should be assembled on a soft surface to prevent scratching the finish during assembly.
- * This item may require periodic tightening.

Product Dimension 35"Wx35"Dx13"H
Weight Capacity : 112.50 lbs

PARTS & HARDWARE LIST

PIECE	DESCRIPTION	PICTURE	QUANTITY
A	Marble Top		1x
B	Metal Frame		1x
C	Marble Leg		4x
H1	20x6mm CSK head Allen key Bolt		8x
H2	Allen key (5 mm)		1x
H3	16x8 flat head Allenkey bolt		4x
H4	25x8 washer		4x
H5	Allen key(4mm)		1x



WARNING : DO NOT STAND/SIT ON COFFEE TABLE
WARNING : DO NOT DRAG COFFEE TABLE
WARNING : HEAVY PRODUCT
WARNING : DO NOT OVER TORQUE BOLTS/SCREWS



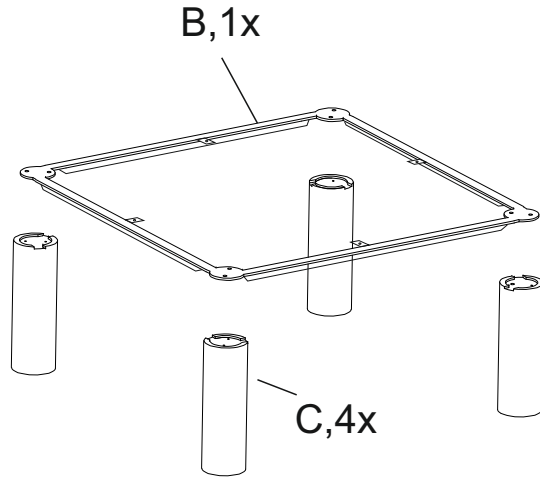
PREPARATION

Before beginning assembly of product, make sure all parts are present. Compare parts with package contents list and hardware contents list. If any part is missing or damaged, do not attempt to assemble the product.

Estimated Assembly Time: 20 minutes.

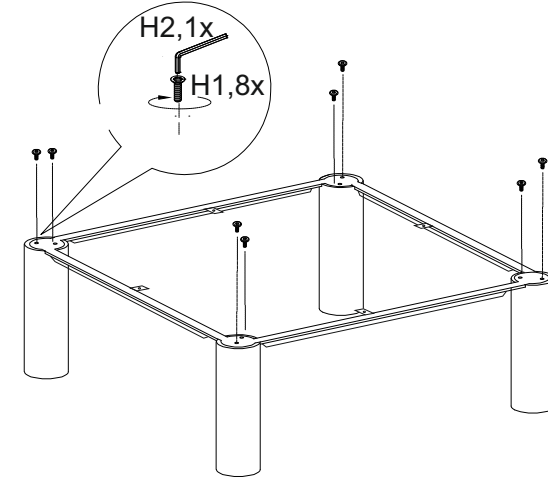
* Require 3-4 person for assembly.

1.



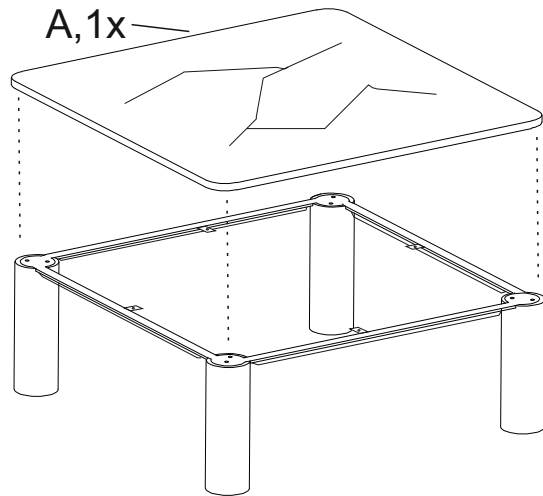
Place legs upright on a flat surface. Carefully align the metal frame over the screw holes in the legs.

2.



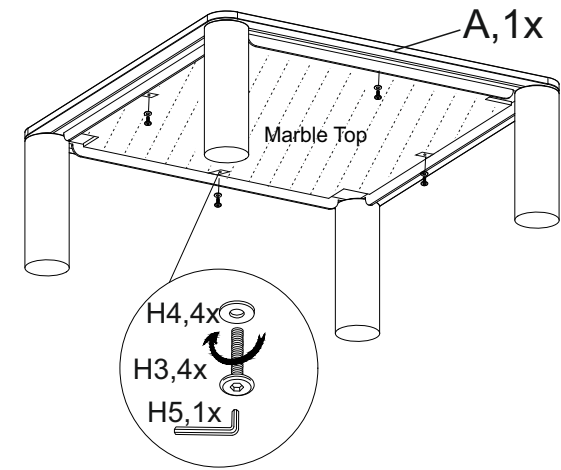
Firmly tighten the frame using the Allen key and bolts provided.

3.



Place Marble Top carefully on the frame and align top with legs.

4.



Tighten the screws under the marble top to the metal frame using the Allen key and bolts. Your product is now ready to use.