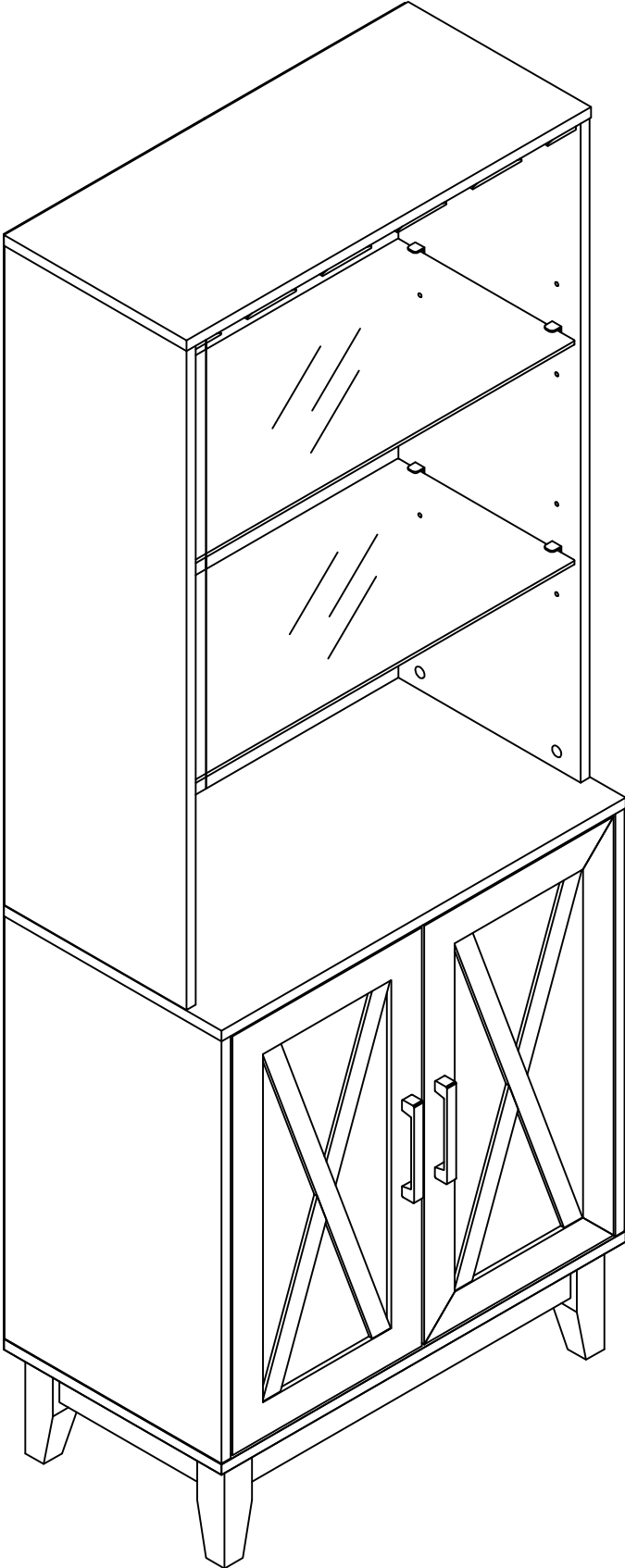
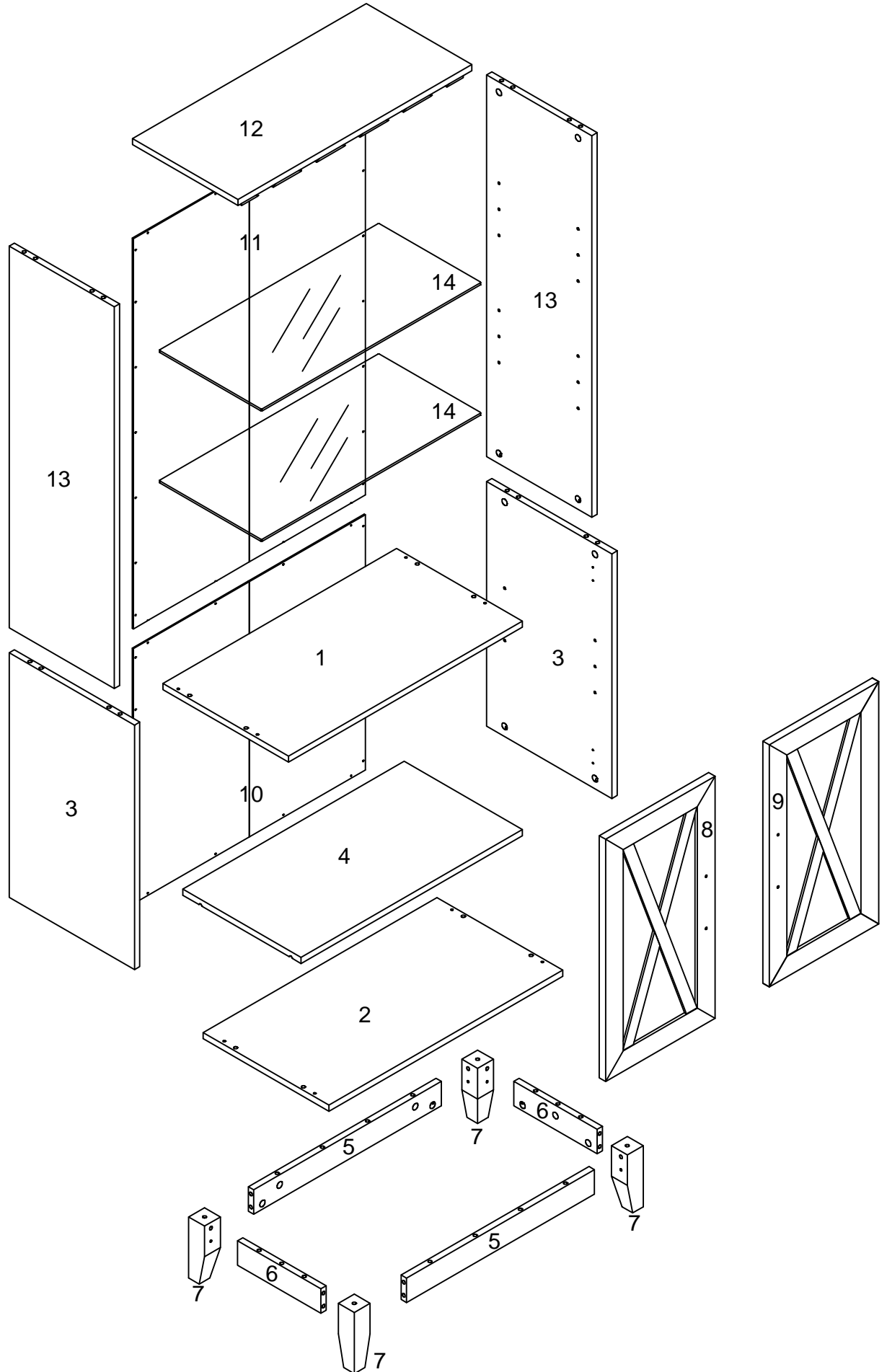






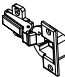








ASSEMBLY INSTRUCTION



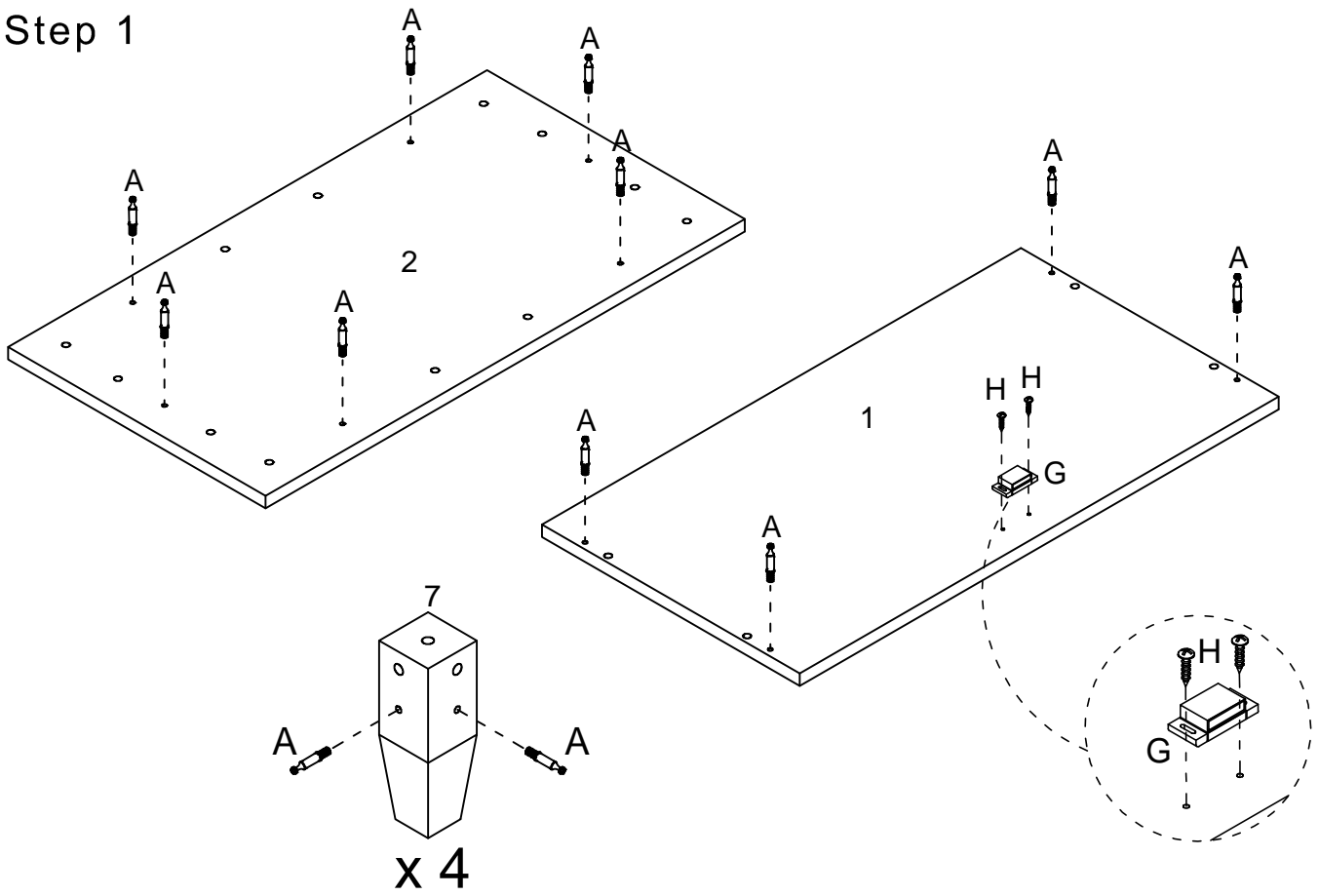
Parts List



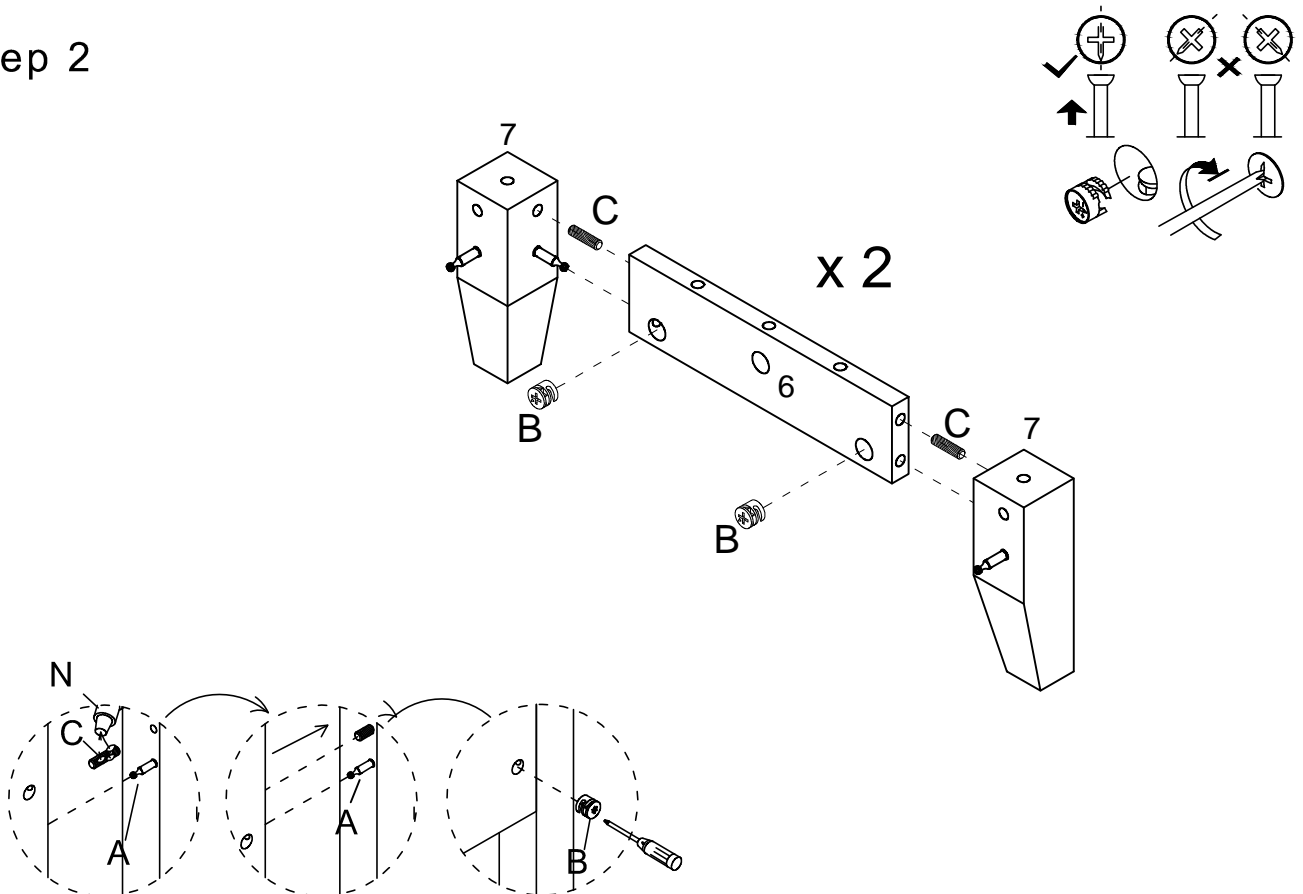
Hardware List

A		Ø5*25mm	Bolt	30 pcs
B		Ø15*11mm	Nut	30 pcs
C		Ø8*30mm	Wood Dowel	36 pcs
D		Ø5*16mm	Shelf Support	4 pcs
E		Ø26mm	Hinge	4 pcs
F		Ø4*15mm	Screw	16 pcs
G		44x16x12mm	Magnet	1 pcs
H		Ø3.5*15mm	Screw	2 pcs
I		30x22x1mm	Iron Sheet	2 pcs
J		Ø3*12mm	Screw	2 pcs
K		137*15*19mm	Handle	2 pcs
L		Ø4*22mm	Bolt	4 pcs
M		Ø3*15mm	Screw	36 pcs
N			Glue	1 pc
O			Paper Cover	10 pcs
P			Anti-Tipping Kit	2 sets
Q			Glass support	8 sets

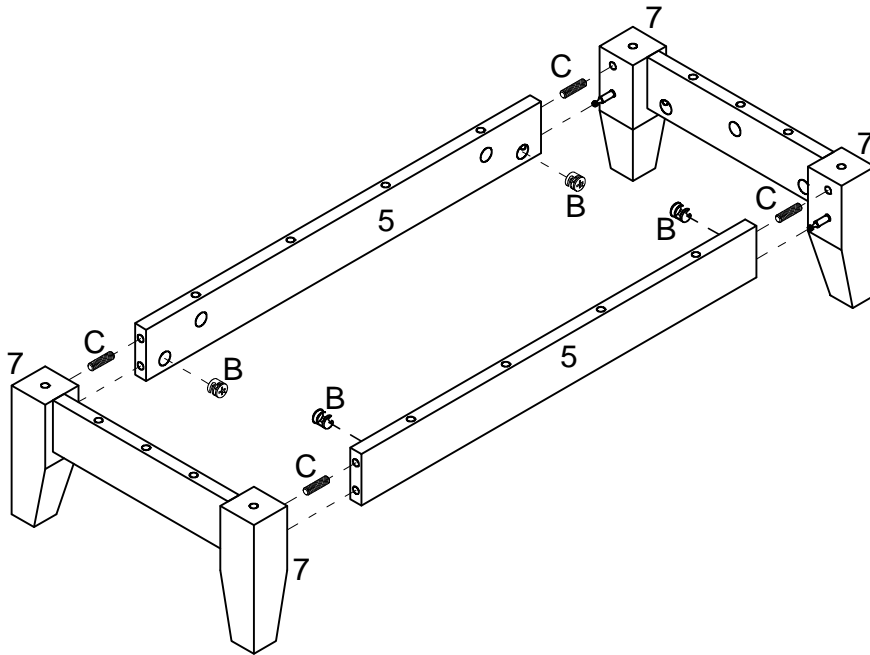
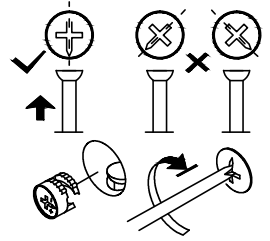
Step 1



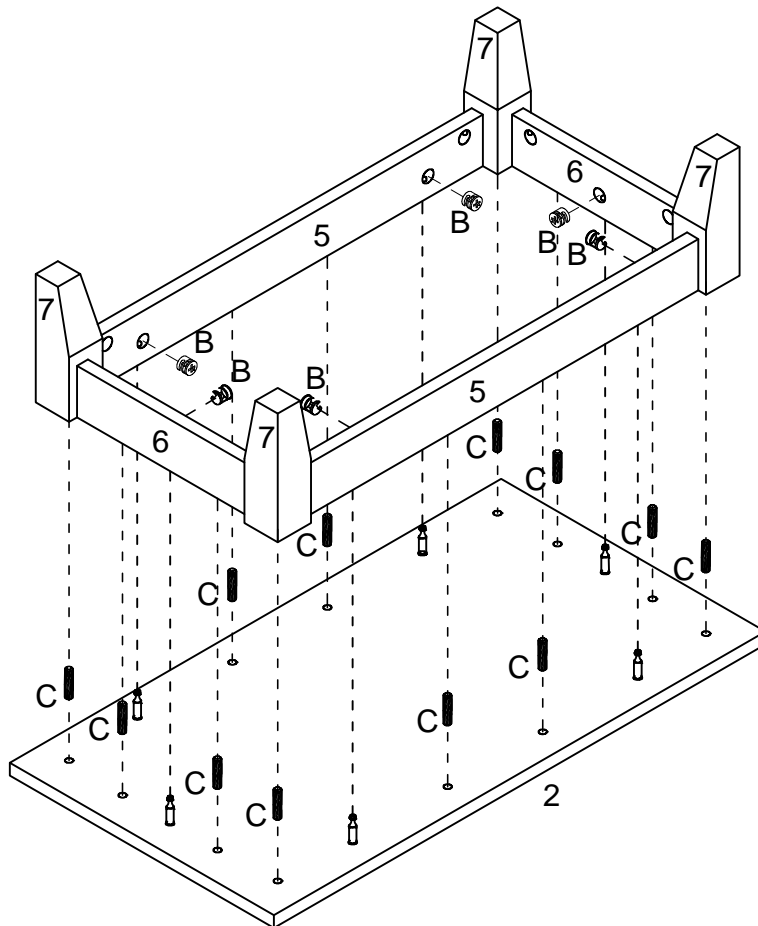
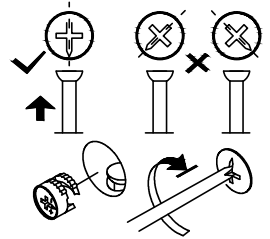
Step 2



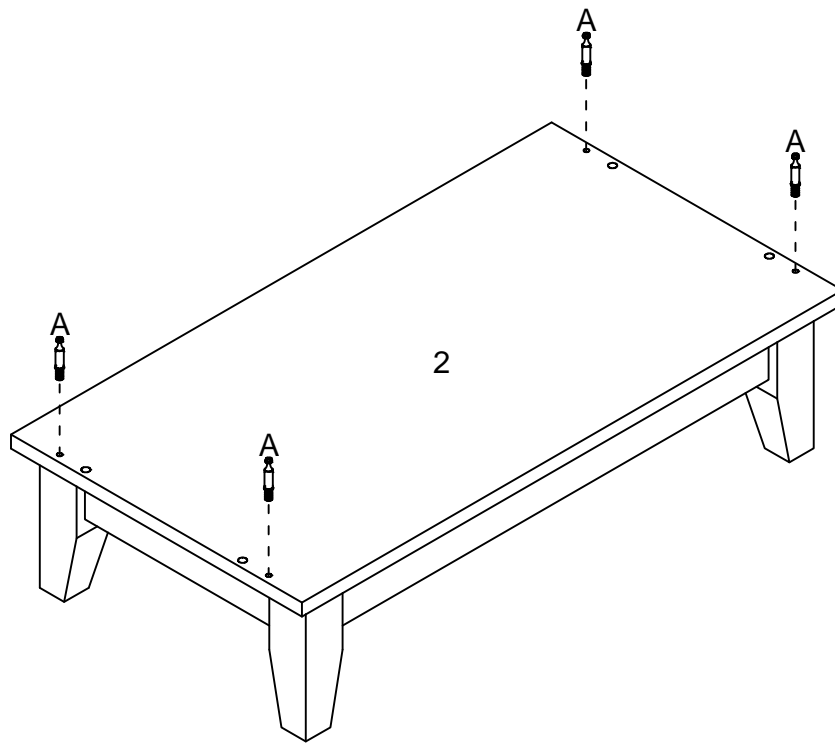
Step 3



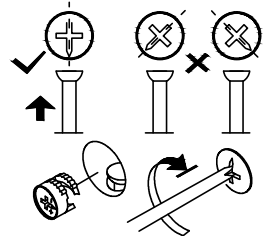
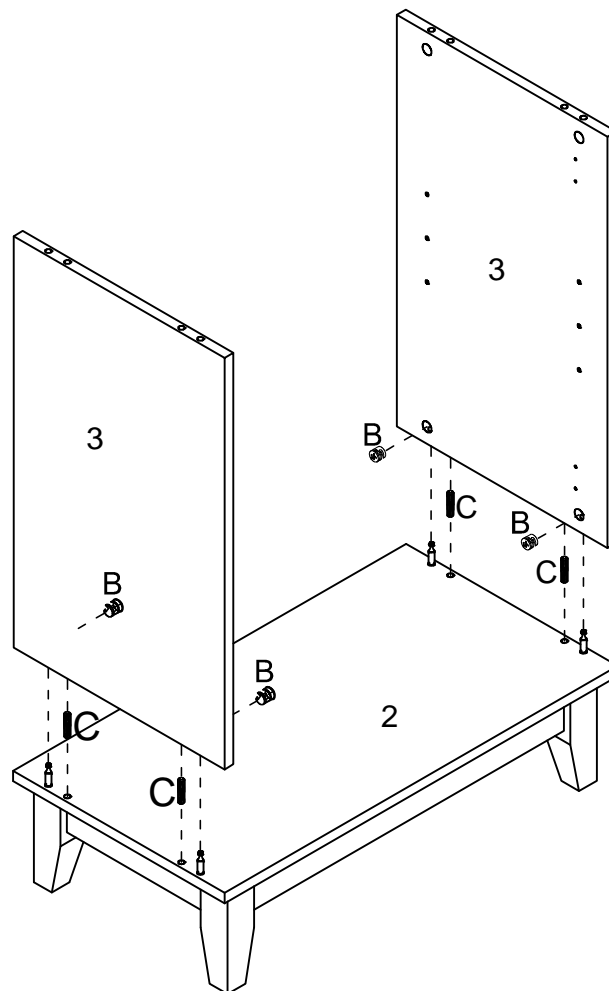
Step 4



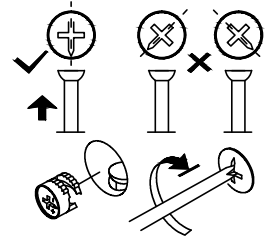
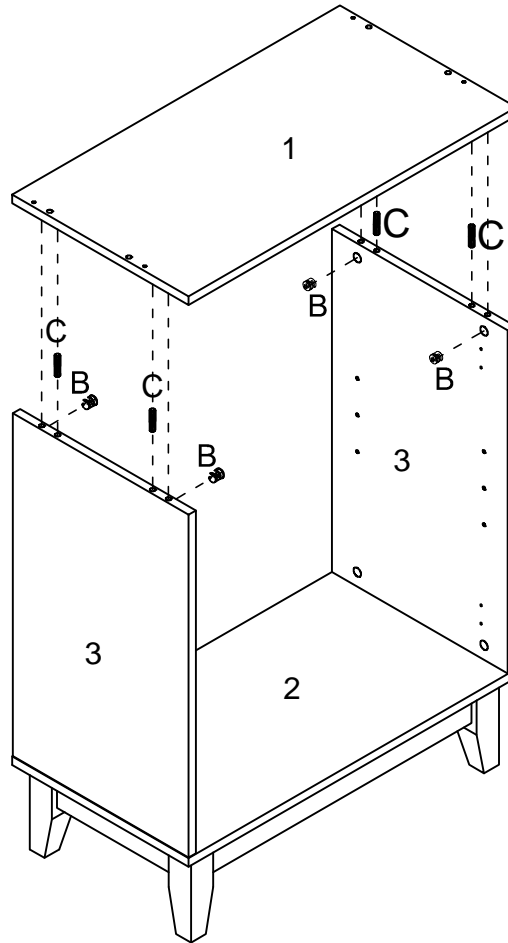
Step 5



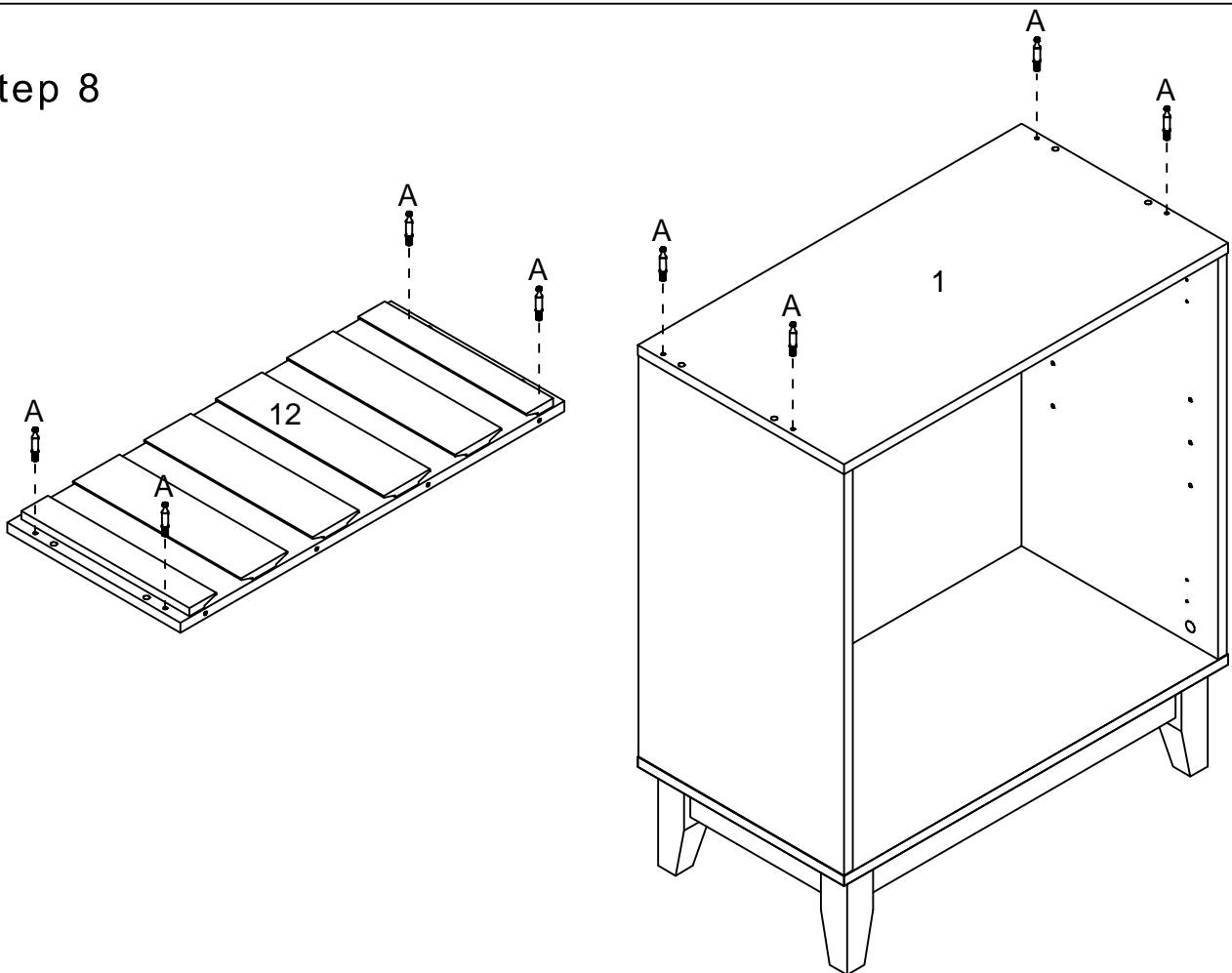
Step 6



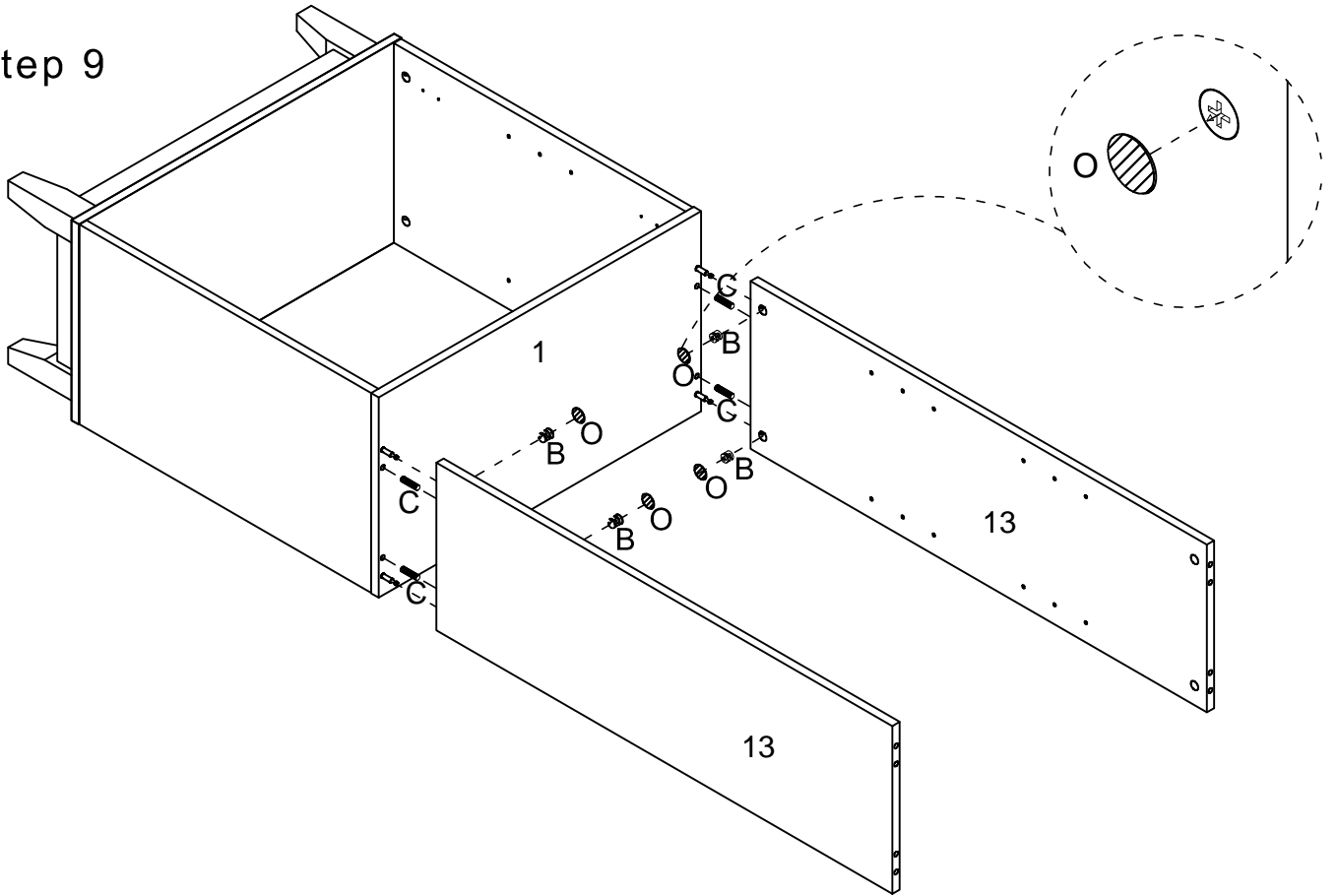
Step 7



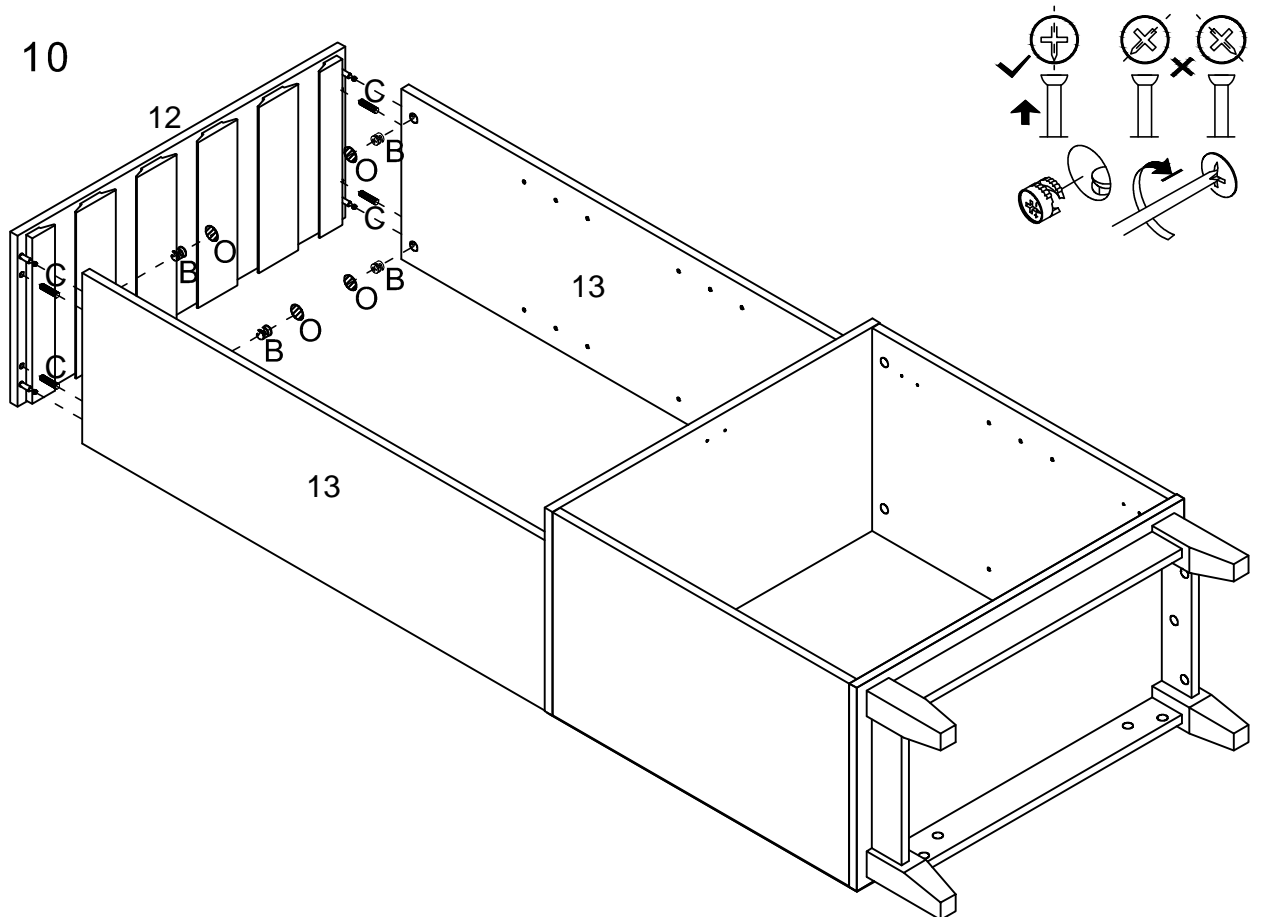
Step 8



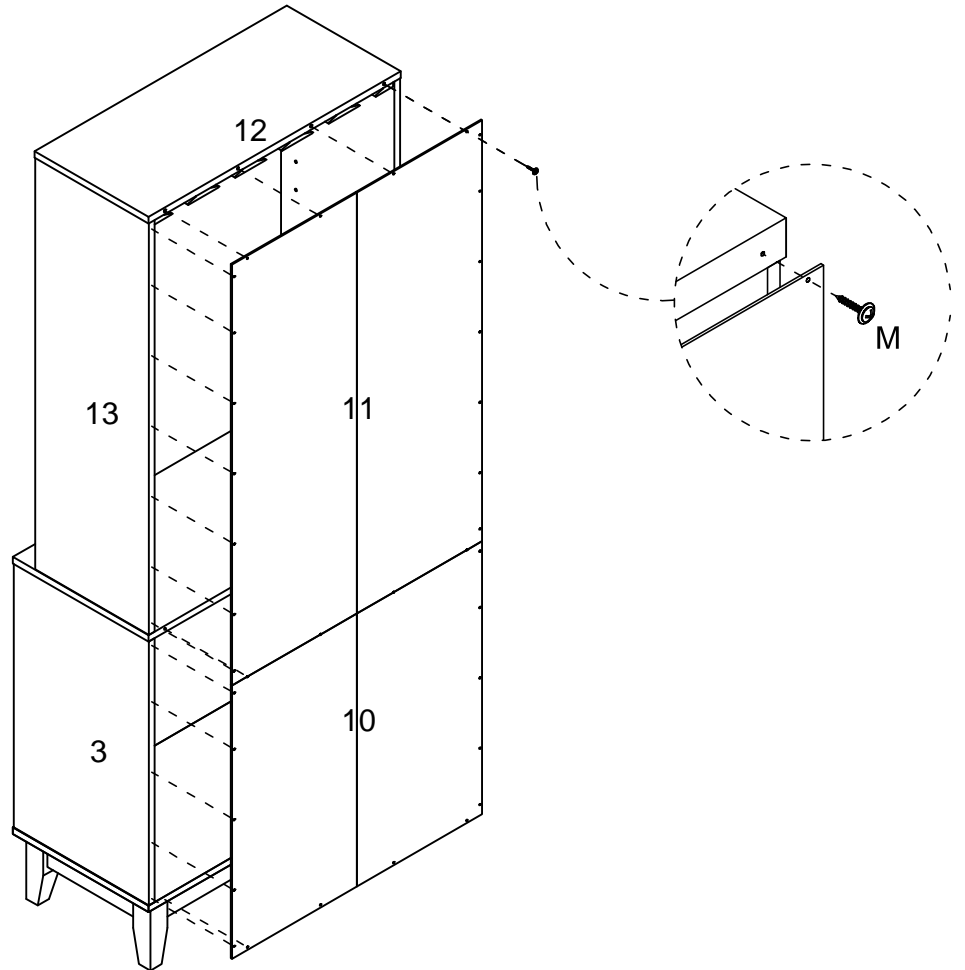
Step 9



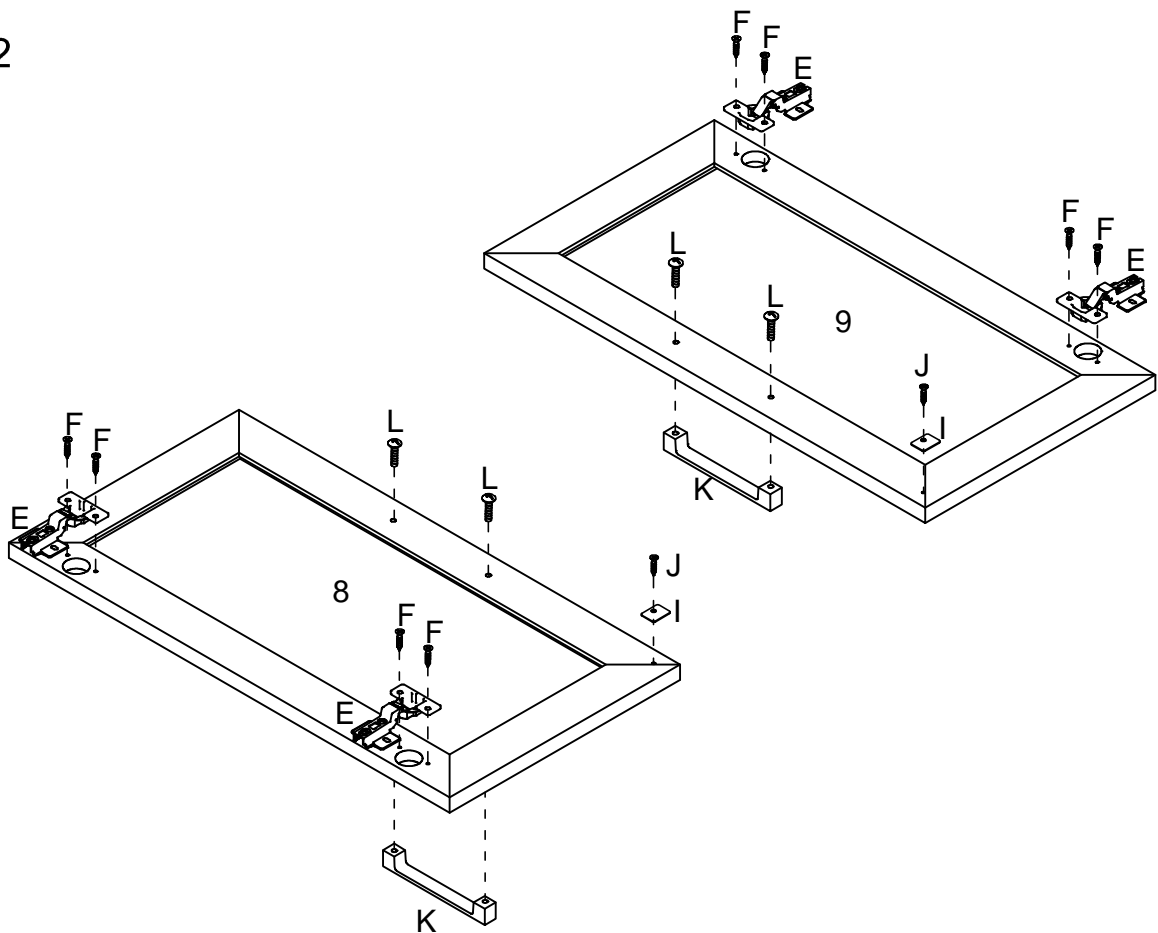
Step 10



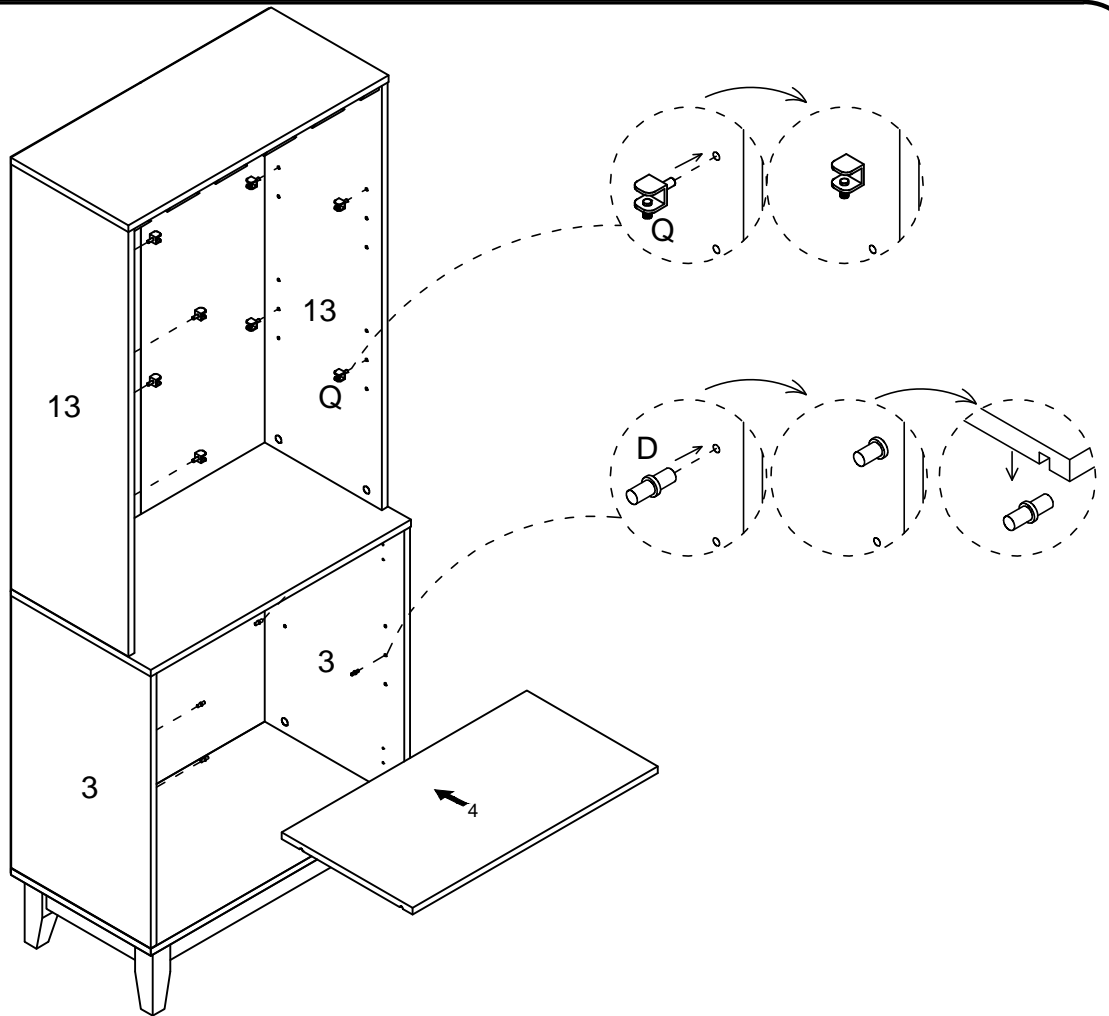
Step 11



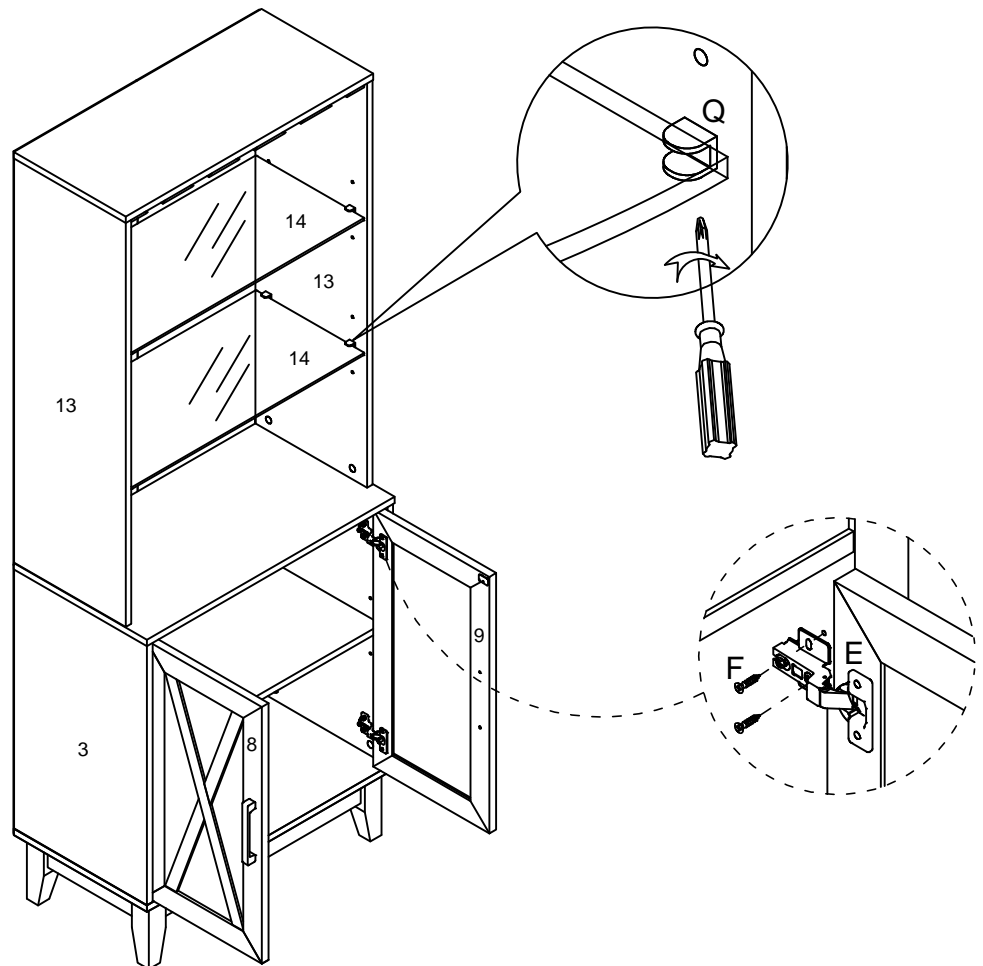
Step 12



Step 13



Step 14



Step 15

